



US00D610198S

(12) **United States Design Patent**
Vazquez Gastellú

(10) **Patent No.:** **US D610,198 S**
(45) **Date of Patent:** **** Feb. 16, 2010**

(54) **DIDACTIC TOY SET**

(75) Inventor: **Alma Rosa Vazquez Gastellú**, Morelos (MX)

(73) Assignee: **Abastecedora Rimova S.A. de C.V.**, Alvaro Obregon (MX)

(**) Term: **14 Years**

(21) Appl. No.: **29/248,976**

(22) Filed: **Sep. 13, 2006**

Related U.S. Application Data

(63) Continuation-in-part of application No. 29/240,432, filed on Oct. 13, 2005, now abandoned.

(51) **LOC (9) Cl.** **19-07**

(52) **U.S. Cl.** **D19/64**

(58) **Field of Classification Search** D19/59-64;
D21/337, 398, 478, 499, 500; D9/529; D15/90;
434/96, 98, 102, 104, 188, 189, 195, 203,
434/209

See application file for complete search history.

(56) **References Cited**

U.S. PATENT DOCUMENTS

- 1,472,536 A * 10/1923 Thomson 434/403
- D275,405 S * 9/1984 Wolf D19/64
- 4,676,762 A * 6/1987 Ballard 446/104

(Continued)

Primary Examiner—T. Chase Nelson

Assistant Examiner—Mark Cavanna

(74) *Attorney, Agent, or Firm*—Egbert Law Offices PLLC

(57) **CLAIM**

The ornamental design for a didactic toy set, as shown and described.

DESCRIPTION

FIG. 1 is an exploded perspective view of didactic toy set showing my new design;

FIG. 2 is a perspective view of a container cube piece of the set of FIG. 1;

FIG. 3 is a front thereof;

FIG. 4 is side thereof;

FIG. 5 is an opposite side view thereof;

FIG. 6 is a back view thereof;

FIG. 7 is a top plan view of a full planar piece of the set of FIG. 1;

FIG. 8 is a perspective view thereof;

FIG. 9 is a perspective view of a full rod piece of the set of FIG. 1;

FIG. 10 is a top plan view thereof;

FIG. 11 is a perspective view of a single cube piece of the set of FIG. 1;

FIG. 12 is a top plan view thereof;

FIG. 13 is a perspective view of a half container cube piece of the set of FIG. 1;

FIG. 14 is a front plan view thereof;

FIG. 15 is a perspective view of a half planar piece of the set of FIG. 1;

FIG. 16 is a top plan view thereof;

FIG. 17 is a perspective view of a half rod piece of the set of FIG. 1;

FIG. 18 is a top plan view thereof;

FIG. 19 is a perspective view of a double cube piece of the set of FIG. 1;

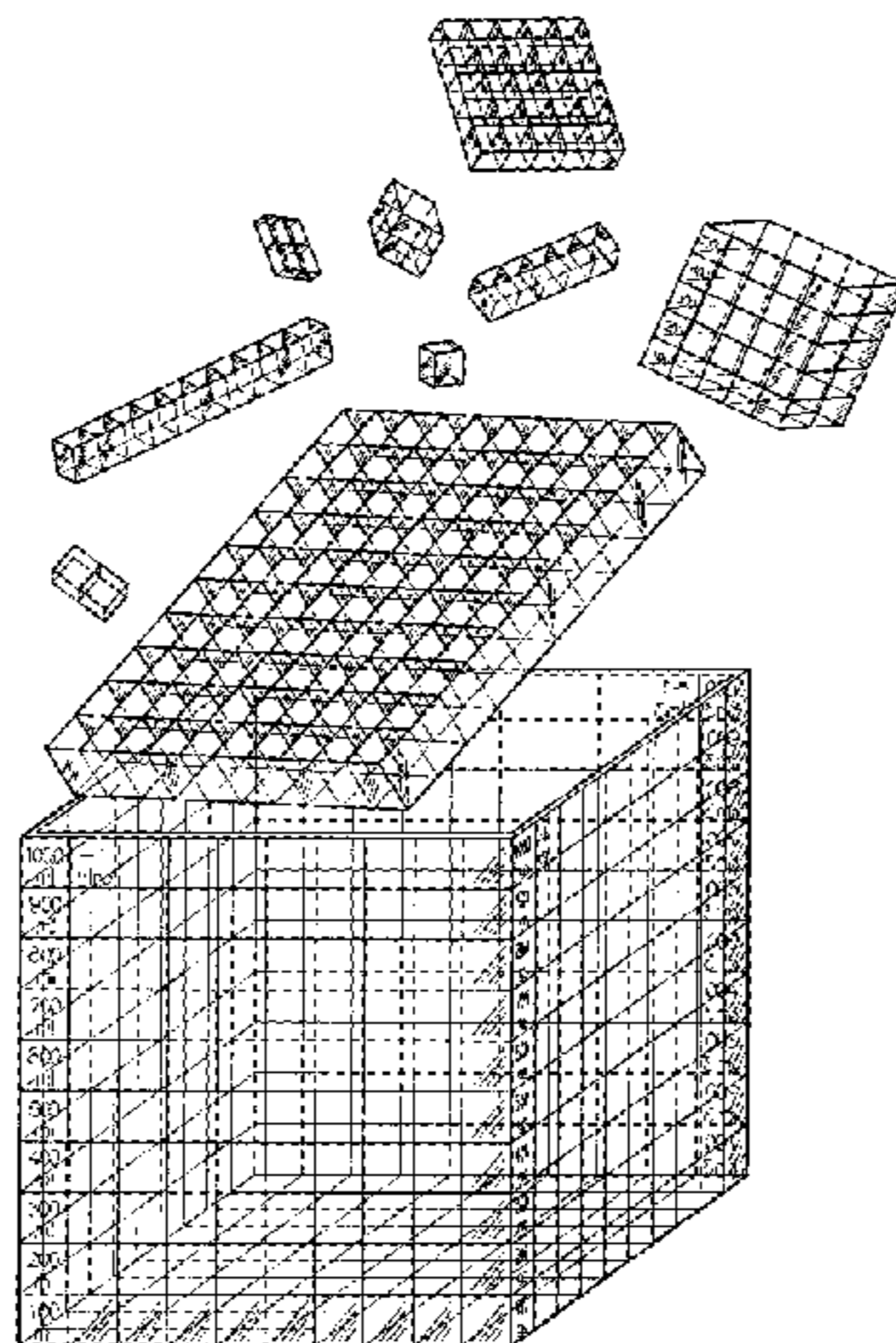
FIG. 20 is a top plan view of the double cube piece of the set of FIG. 1;

FIG. 21 is a perspective view of a quarter planar piece of the set of FIG. 1; and,

FIG. 22 is a top plan view of the quarter planar piece of the set thereof.

The broken lines shown are included for the purpose of illustrating portions of the didactic toy set that form no part of the claimed design.

1 Claim, 6 Drawing Sheets



US D610,198 S

Page 2

U.S. PATENT DOCUMENTS

4,872,682	A *	10/1989	Kuchimanchi et al. ...	273/153	S				
D310,686	S *	9/1990	Tacquard et al.	D19/62					
D313,625	S *	1/1991	Yan et al.	D19/62					
D340,093	S *	10/1993	Hrsel et al.	D21/478					
5,427,375	A *	6/1995	Breckwoldt	273/146					
D366,506	S *	1/1996	Lindquist	D21/478					
5,634,795	A *	6/1997	Davies	434/98					
5,683,252	A *	11/1997	Tsao	434/195					
D396,498	S *	7/1998	Leslie	D21/500					
D408,061	S *	4/1999	Borg	D21/337					
6,176,704	B1 *	1/2001	Gilbert	434/96					
D474,691	S *	5/2003	Gruosi-Scheufele	D9/529					
6,676,415	B2 *	1/2004	Walker et al.	434/203					
D491,235	S *	6/2004	Fang	D21/478					
7,131,841	B2 *	11/2006	Eldar	434/402					
D577,747	S *	9/2008	Galeano et al.	D15/90					
D590,442	S *	4/2009	Jones	D19/59					

* cited by examiner

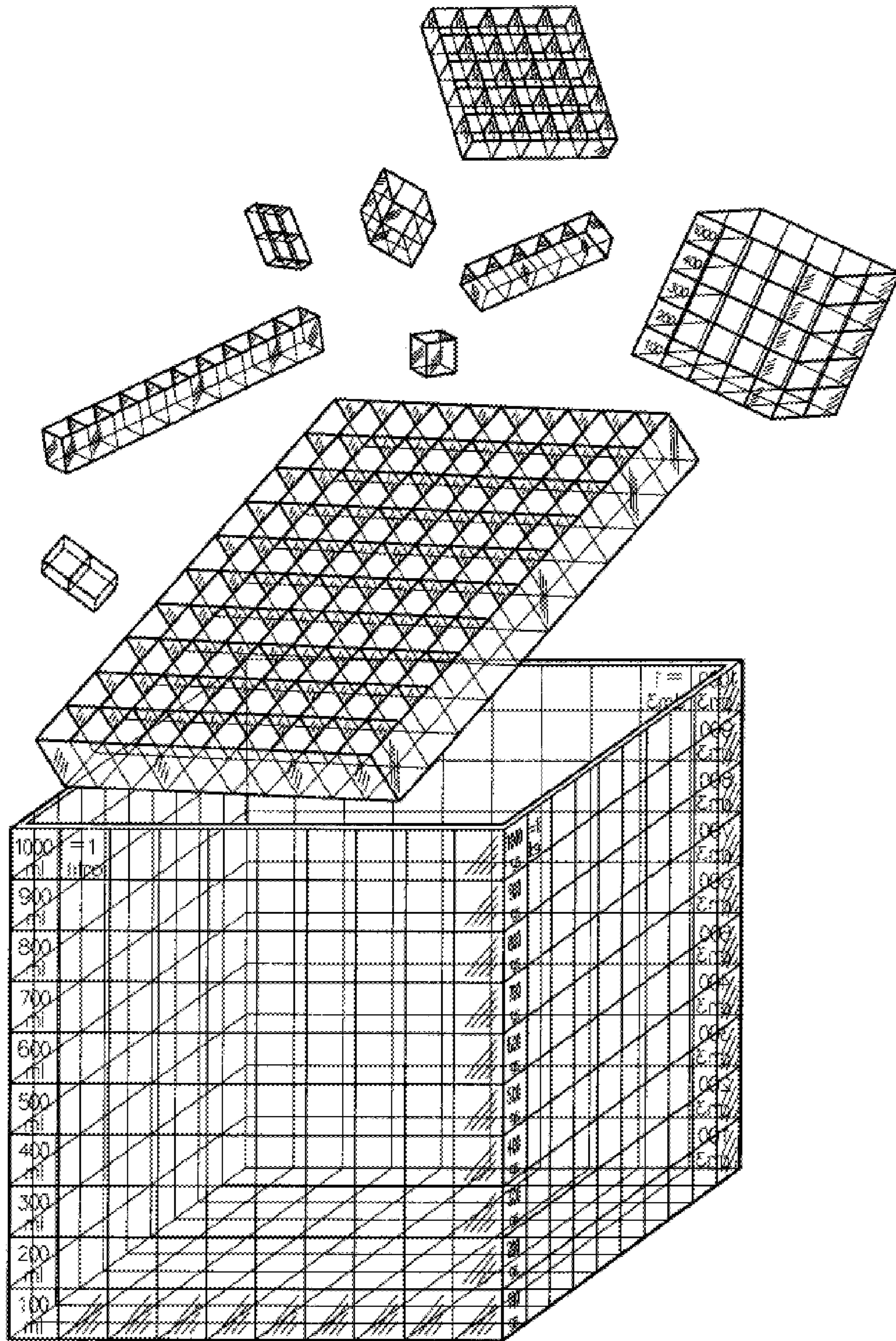


Fig. 1

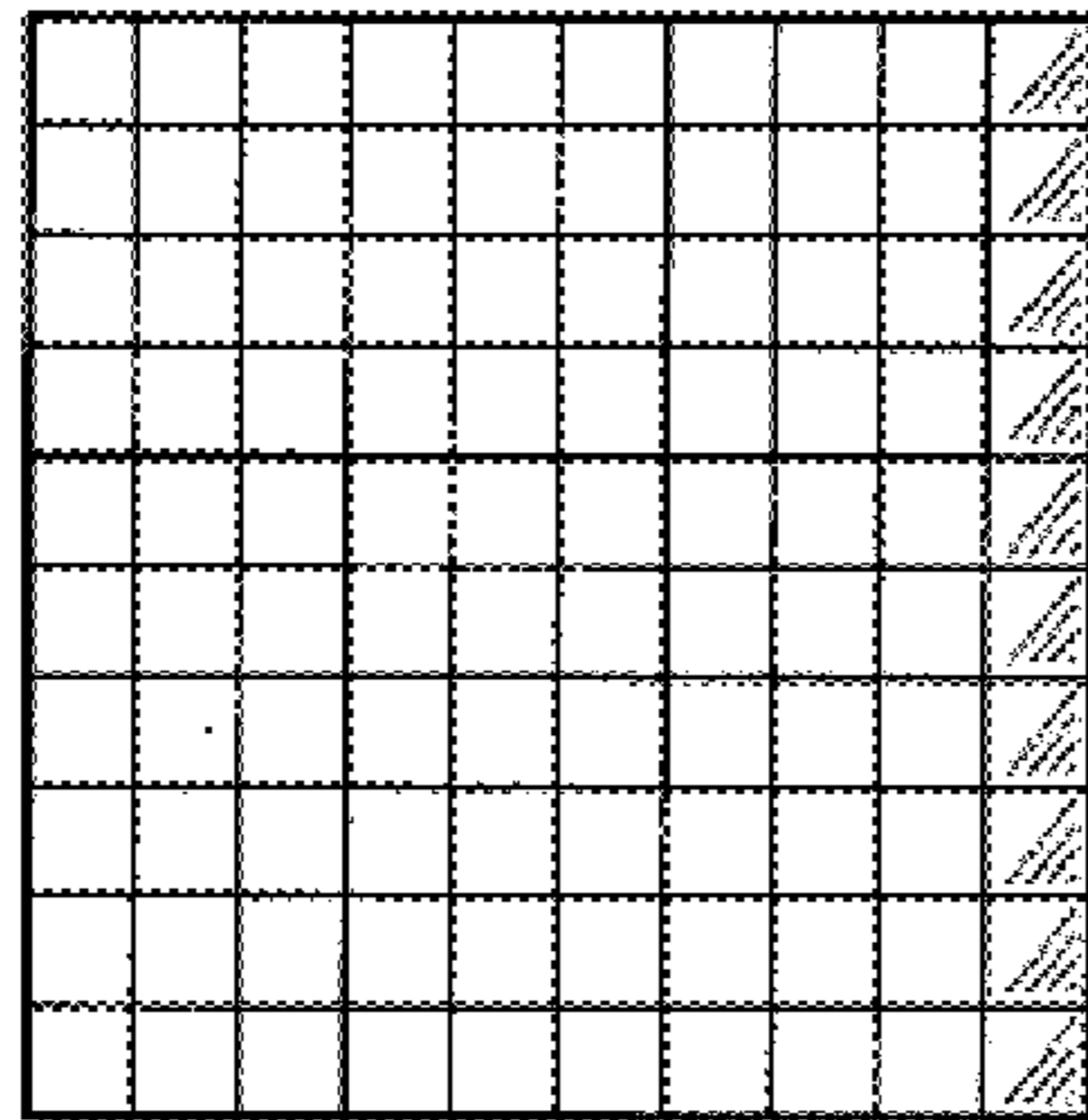


Fig. 3

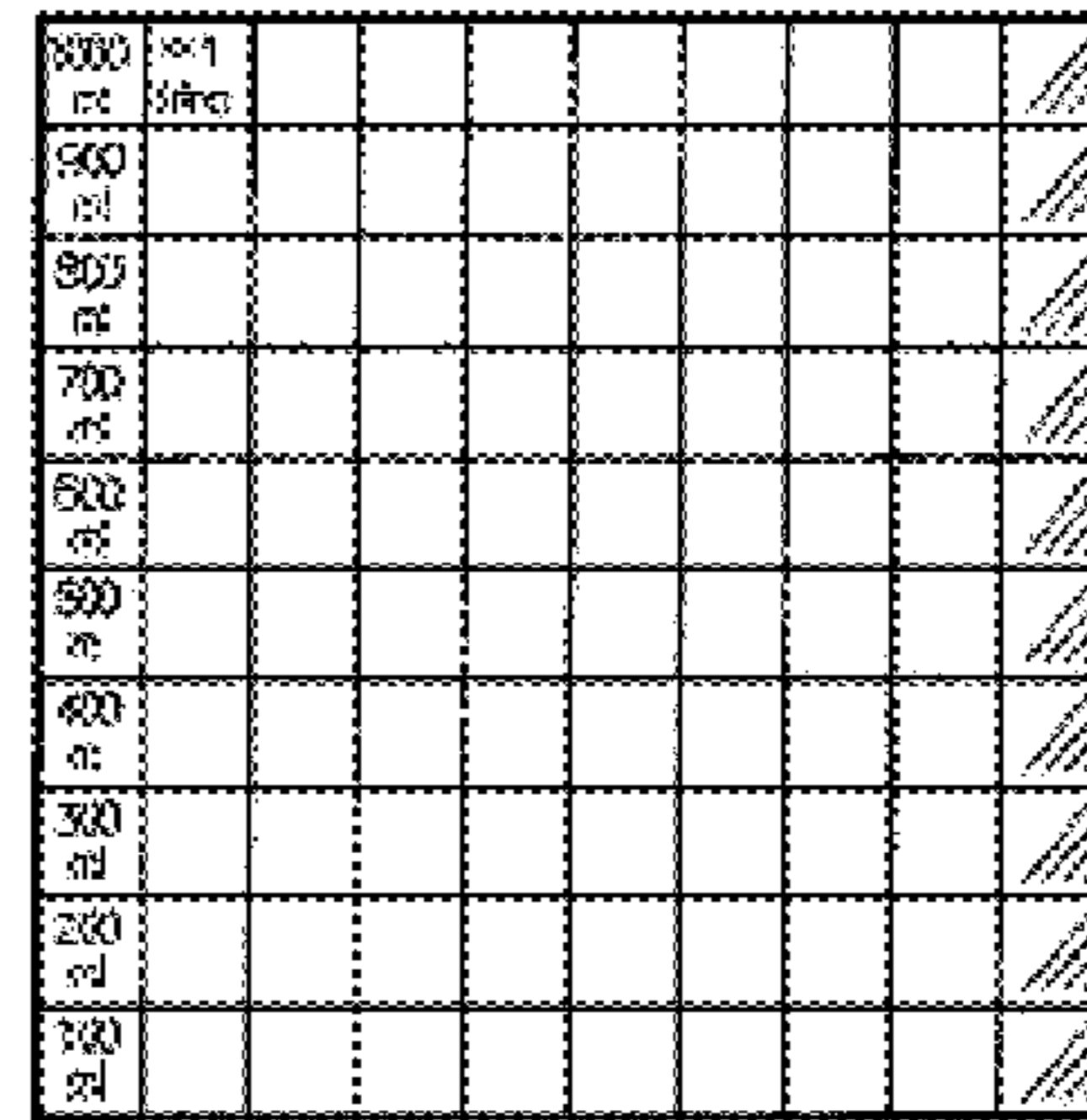


Fig. 4

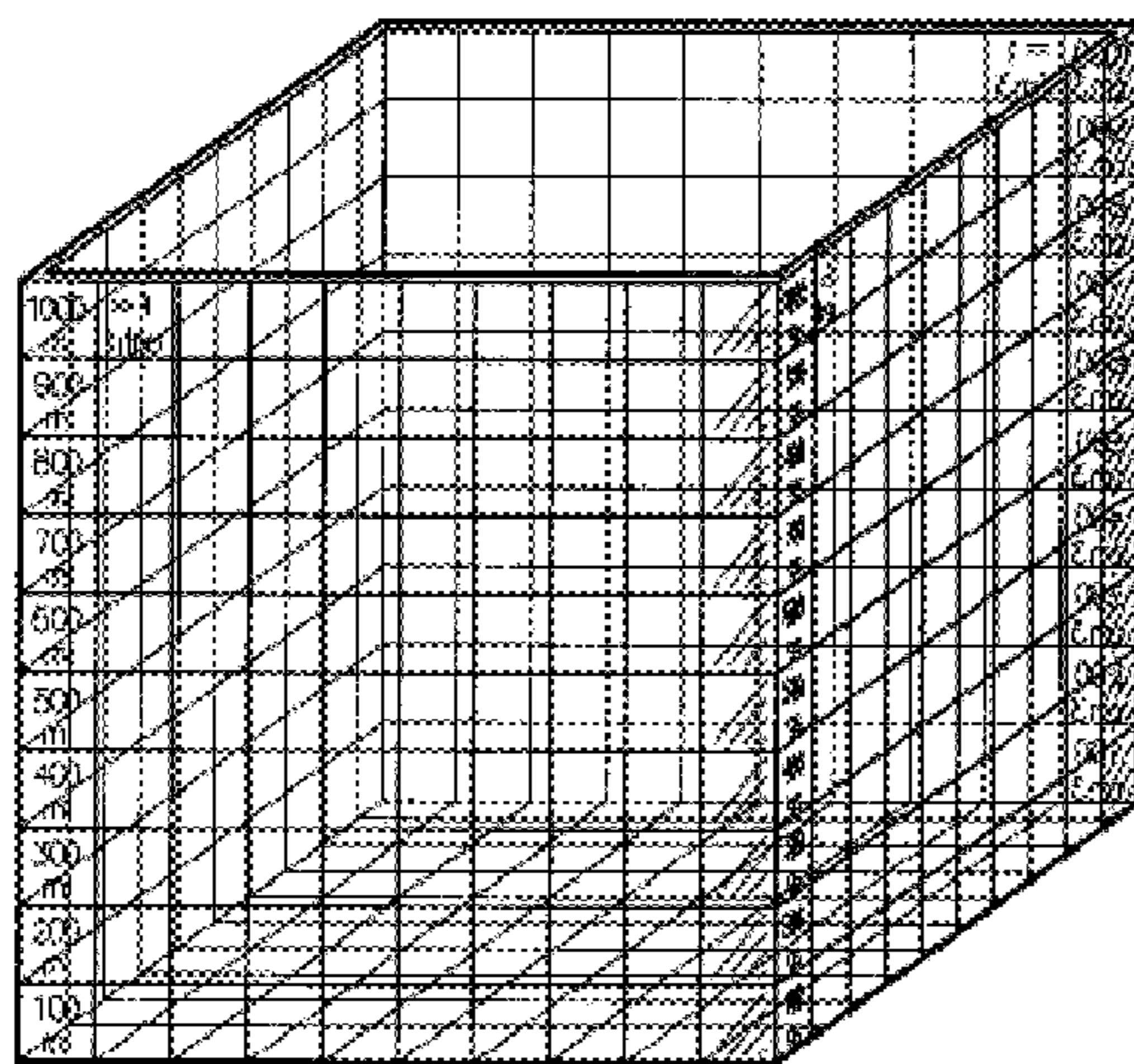


Fig. 2

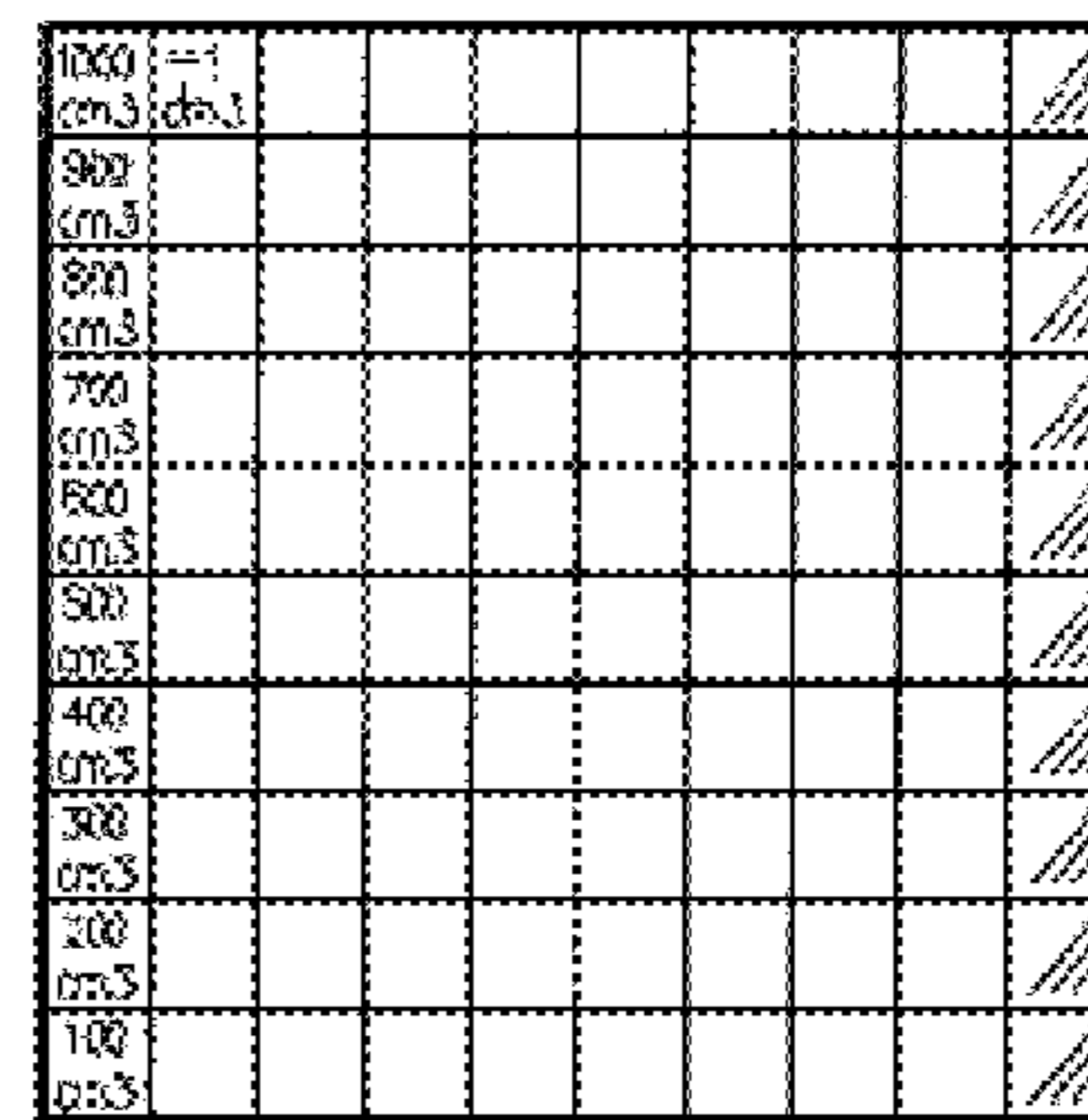


Fig. 5

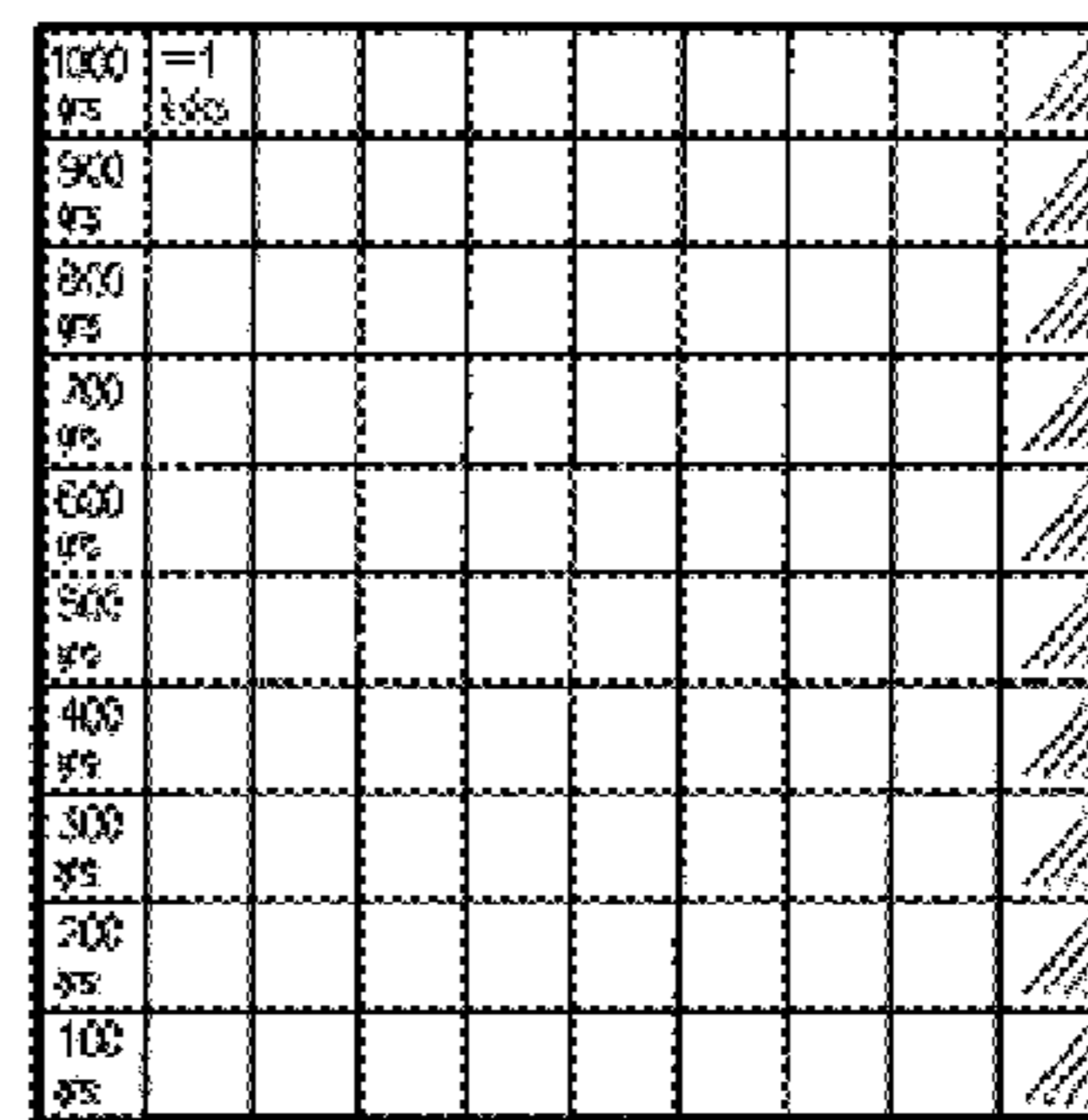


Fig. 6

Fig. 7

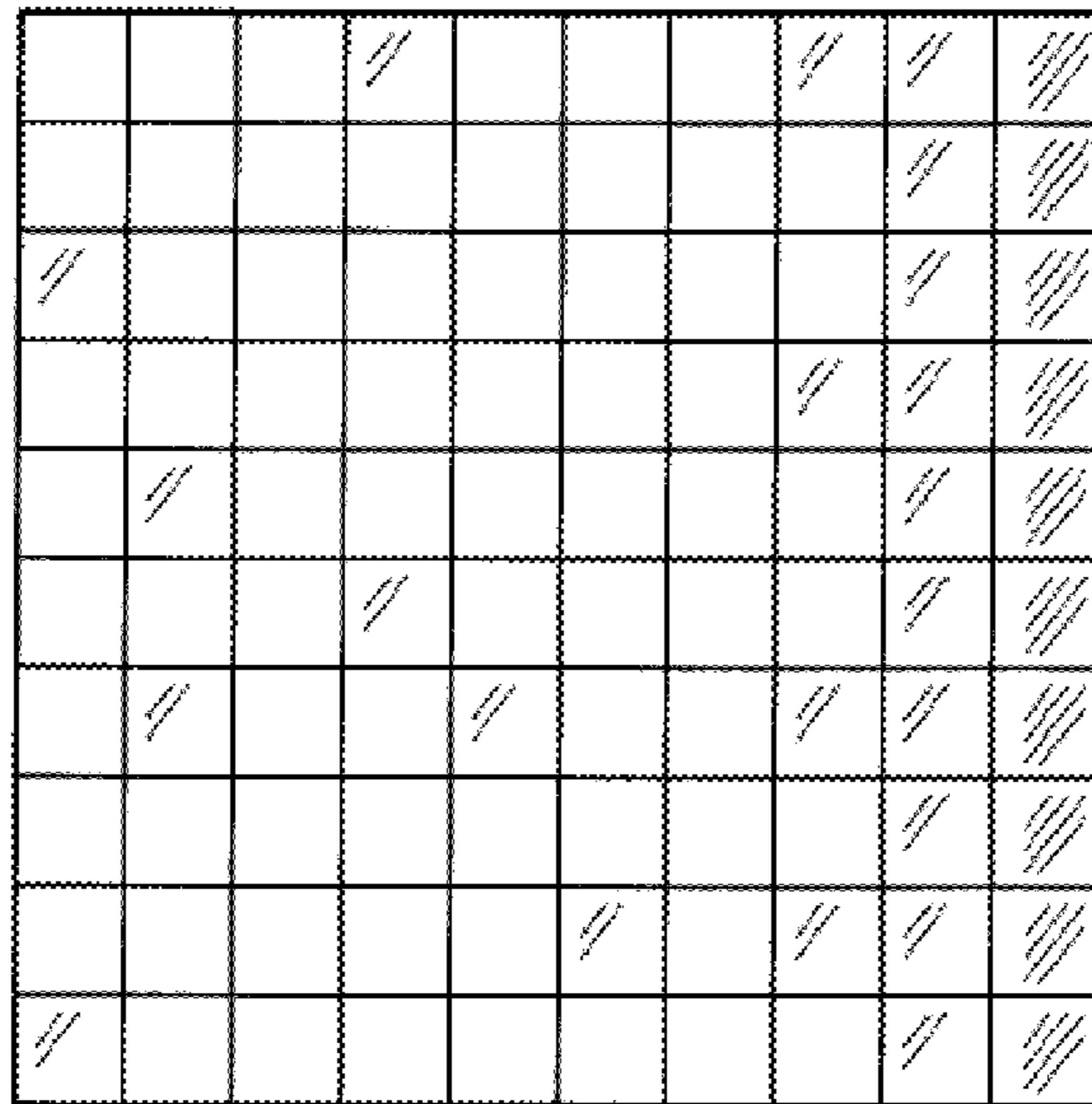


Fig. 8

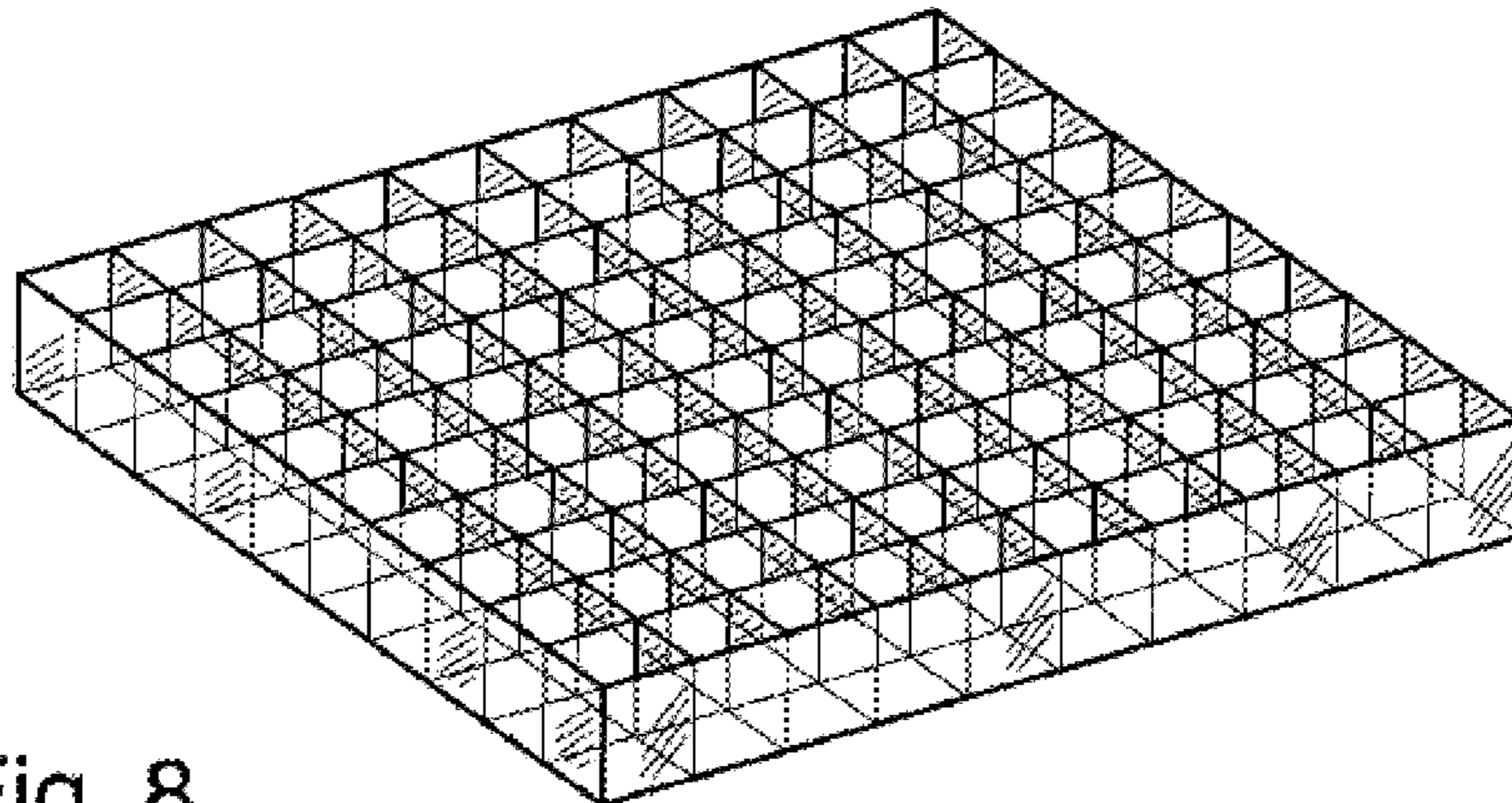


Fig. 9

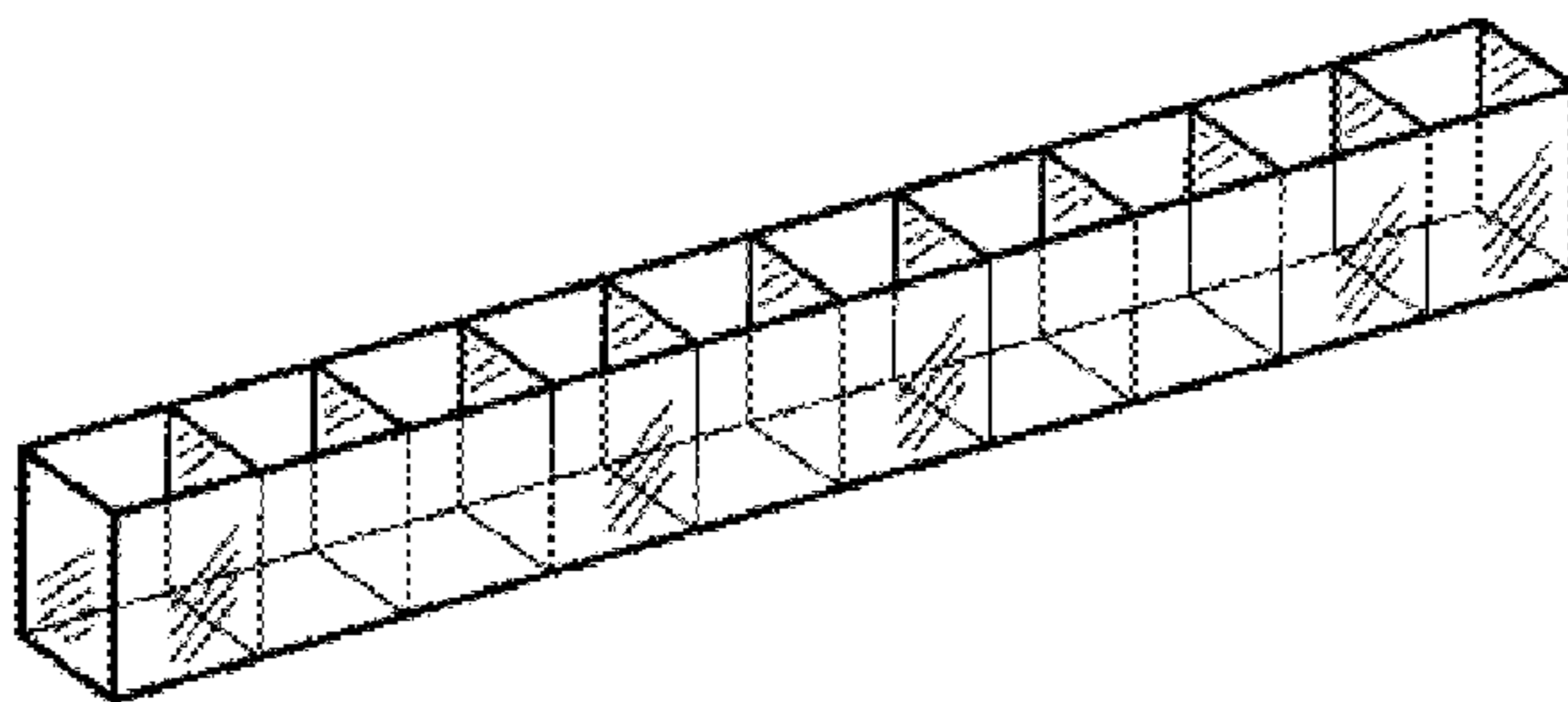


Fig. 10



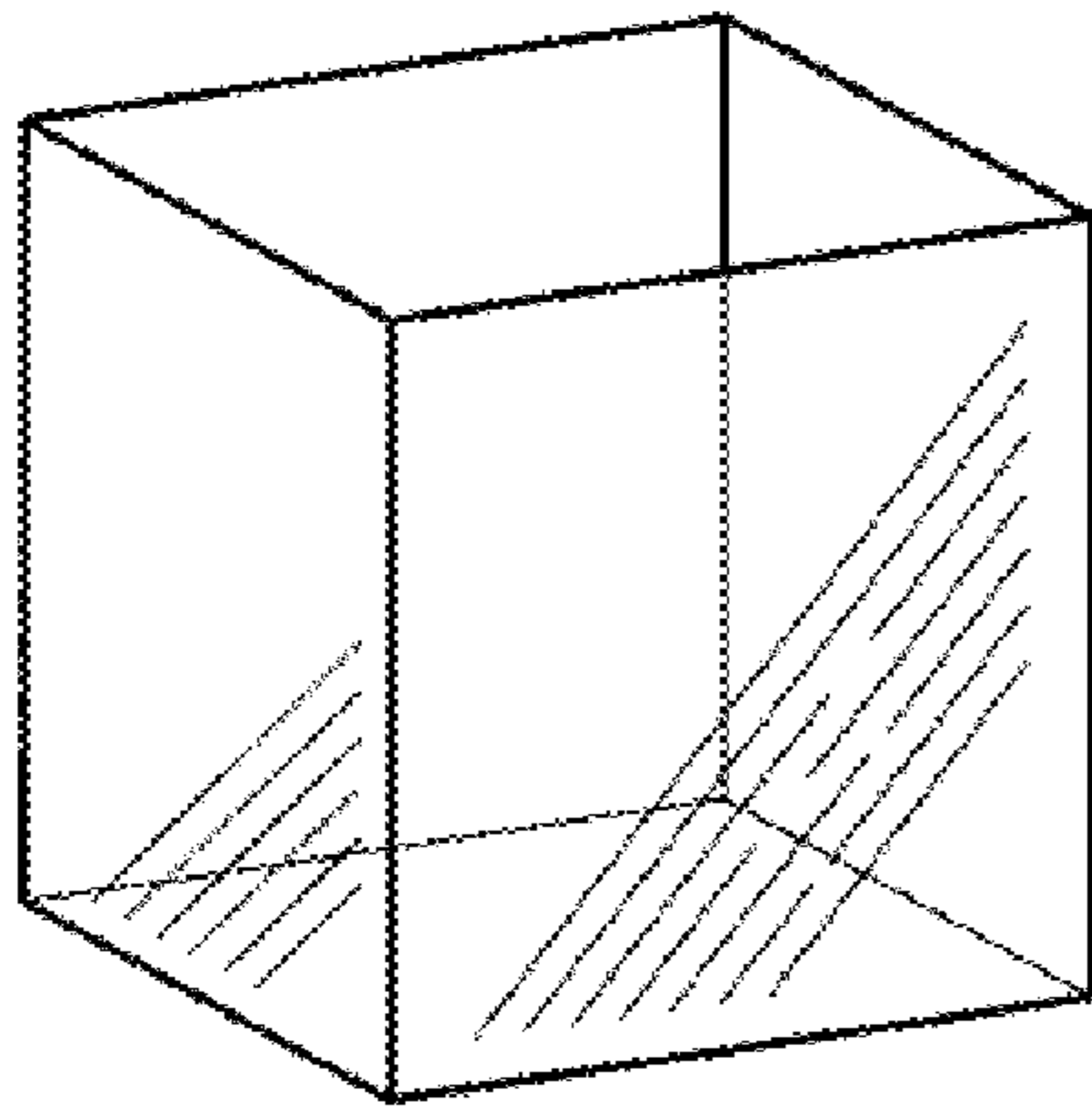


Fig. 11

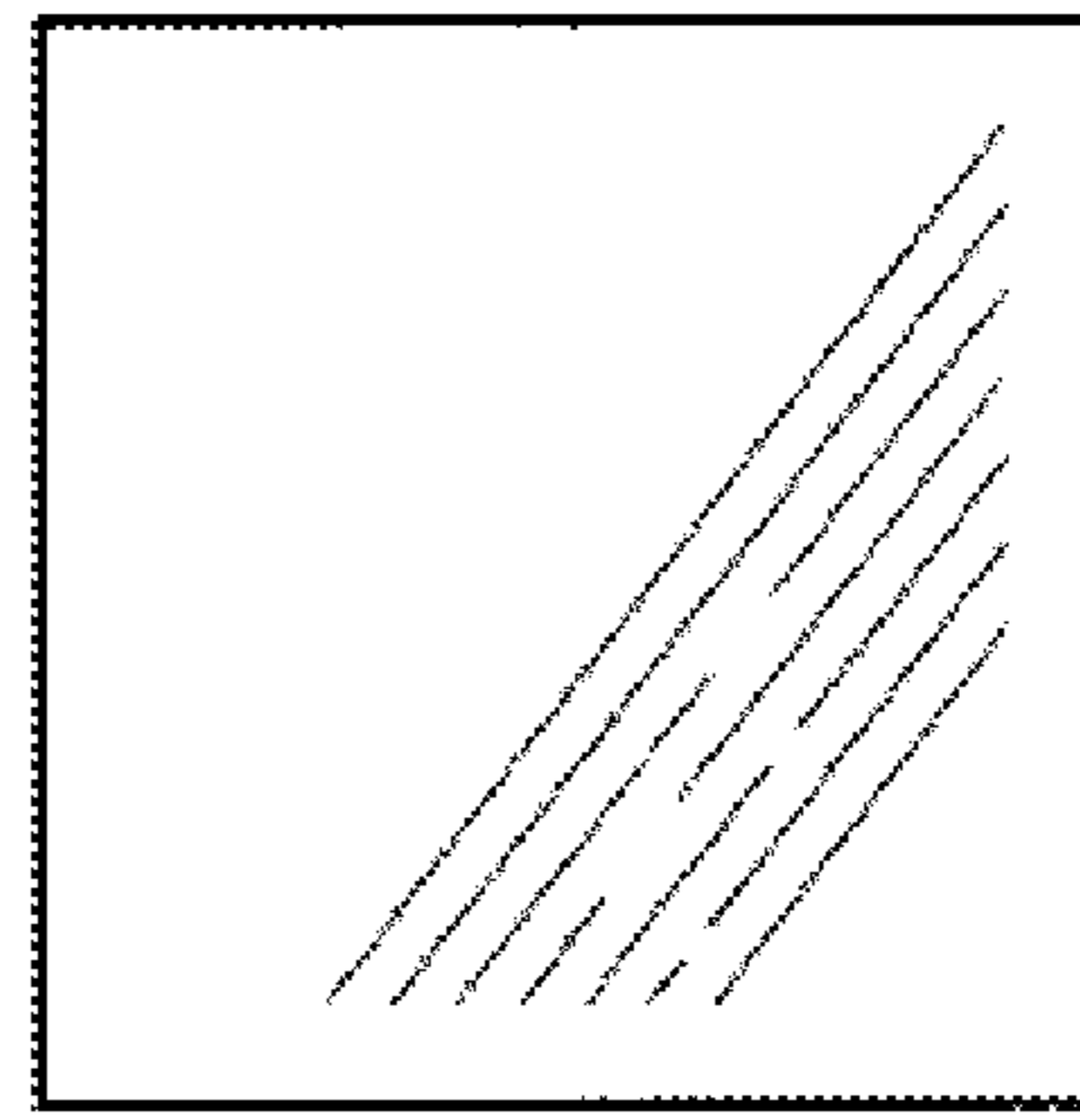


Fig. 12

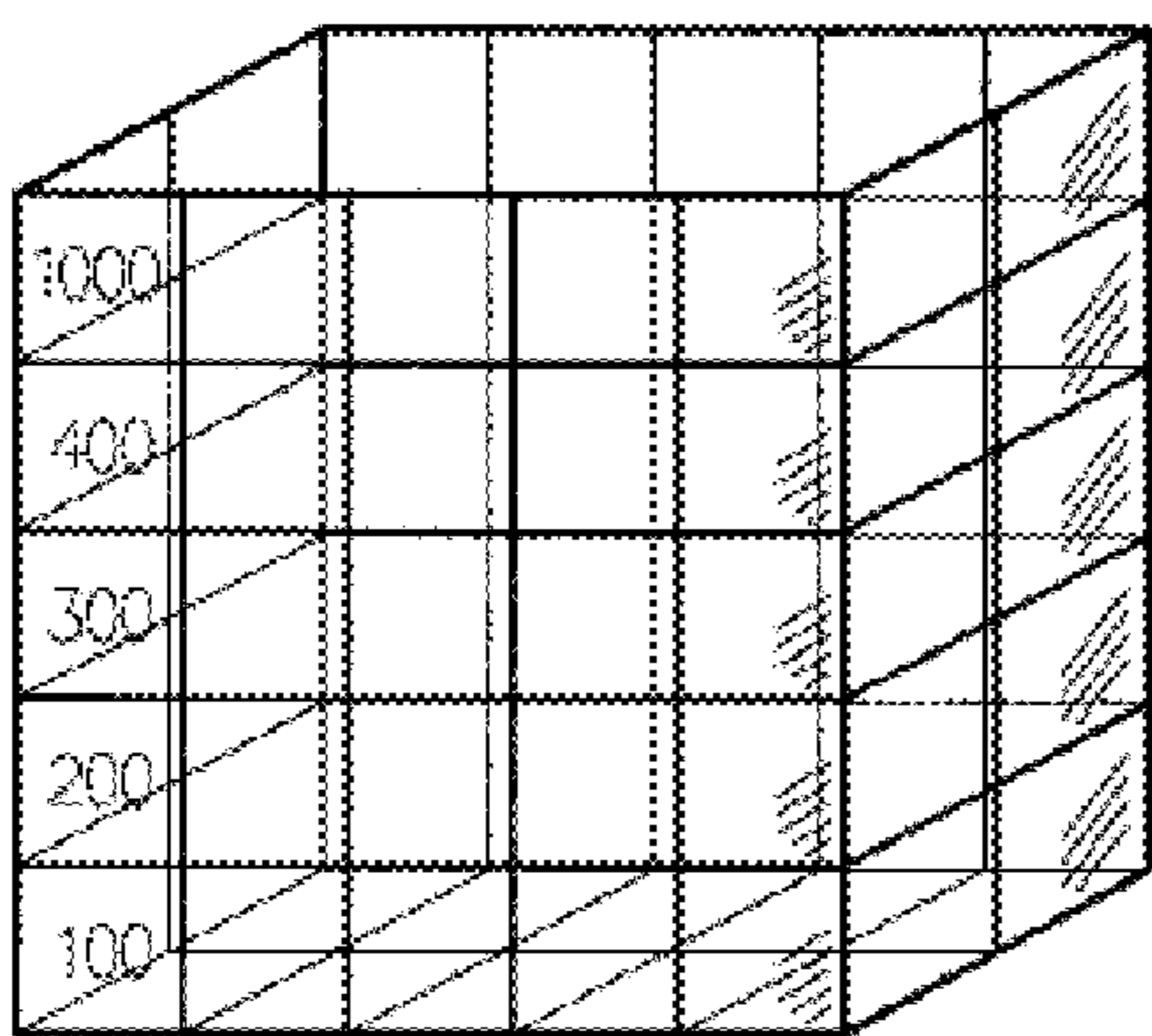


Fig. 13

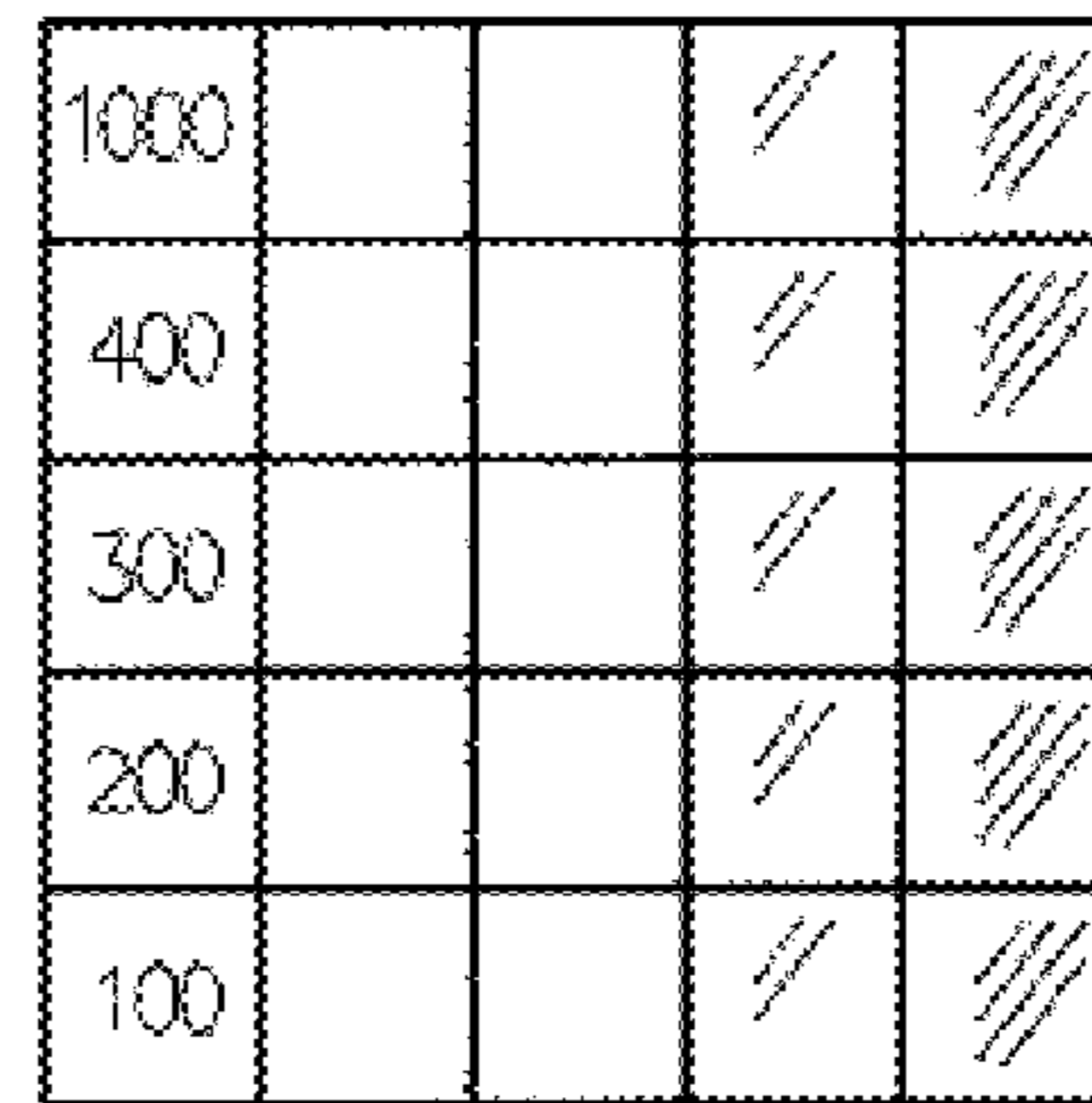


Fig. 14

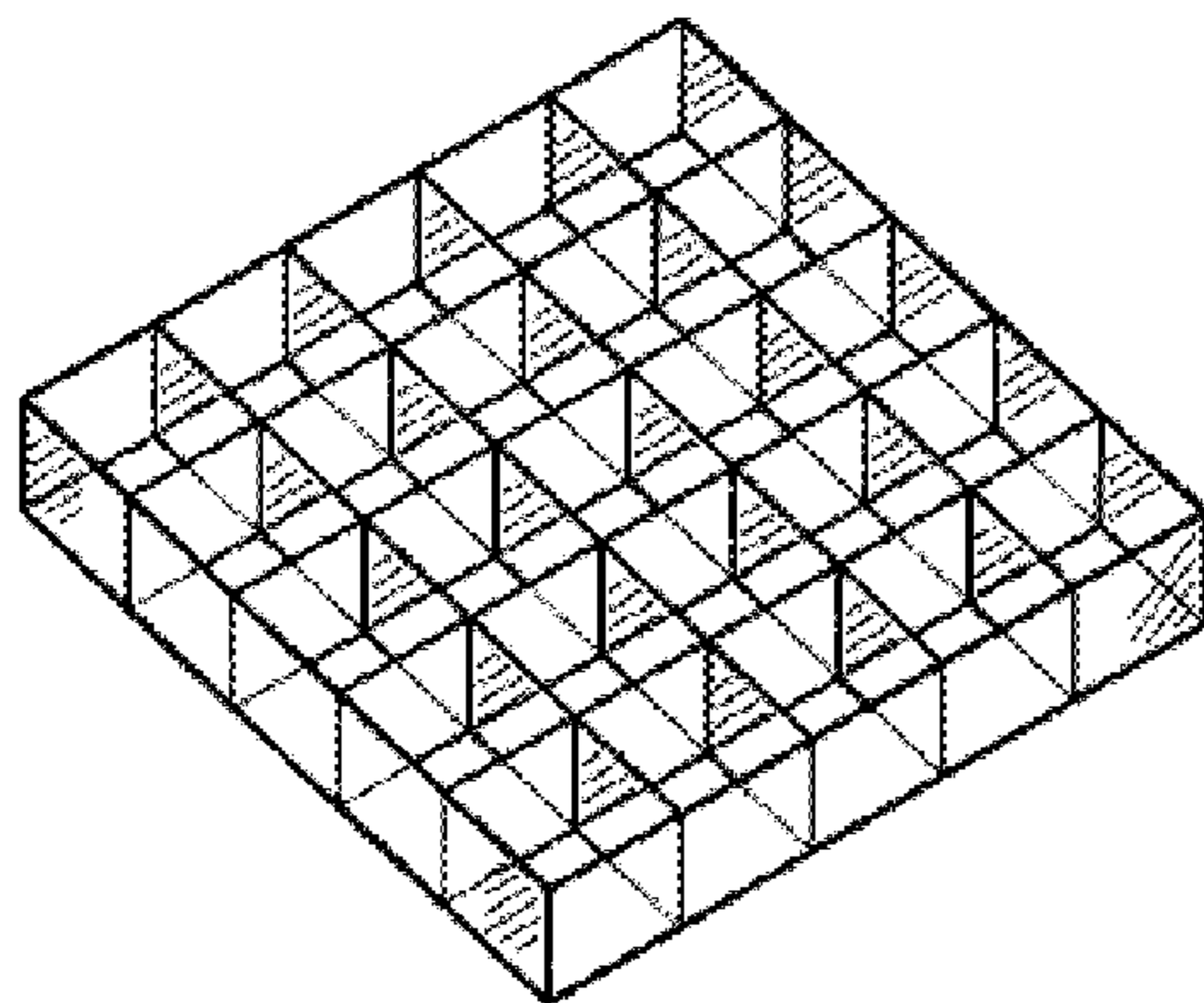


Fig. 15

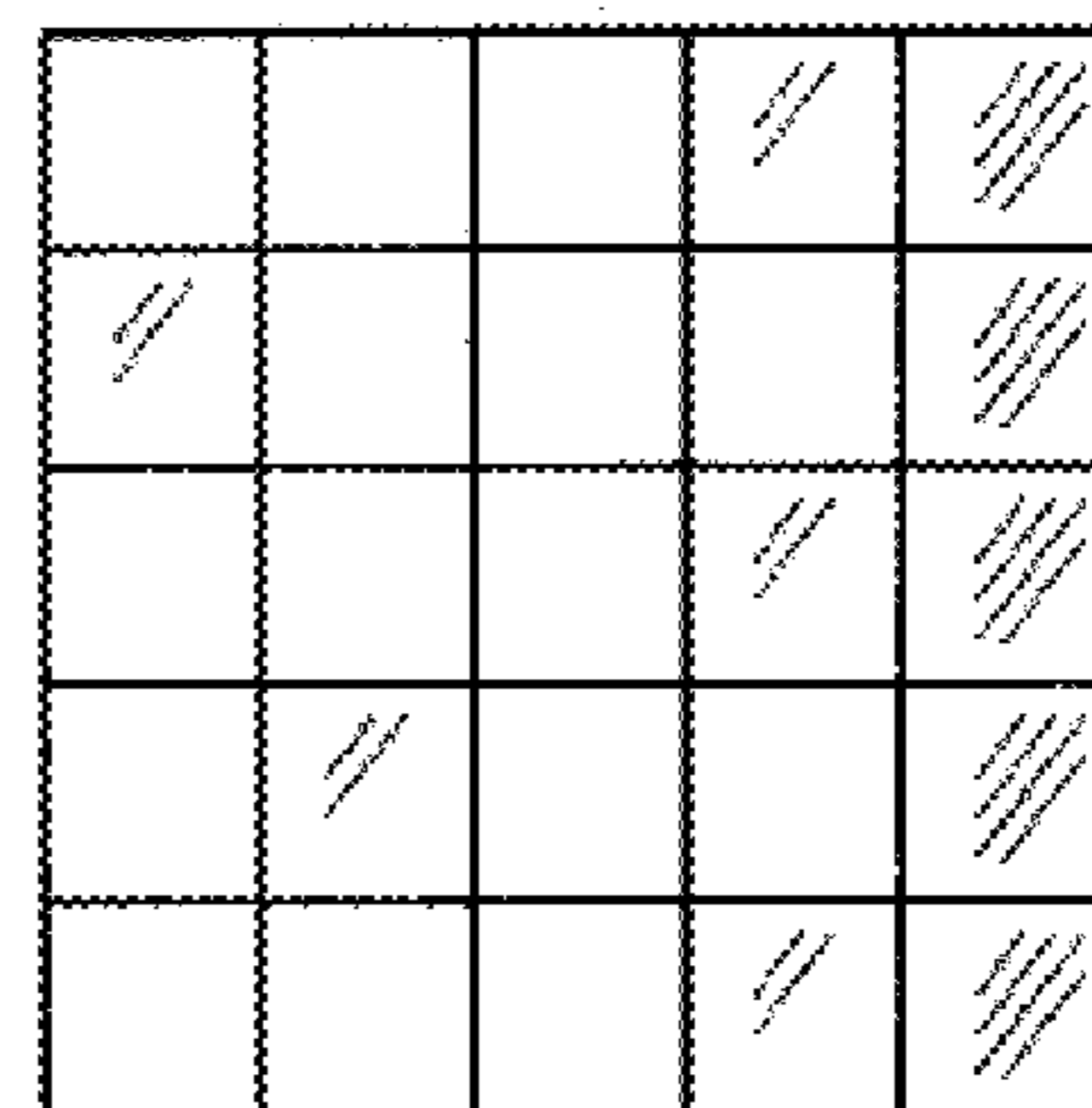


Fig. 16

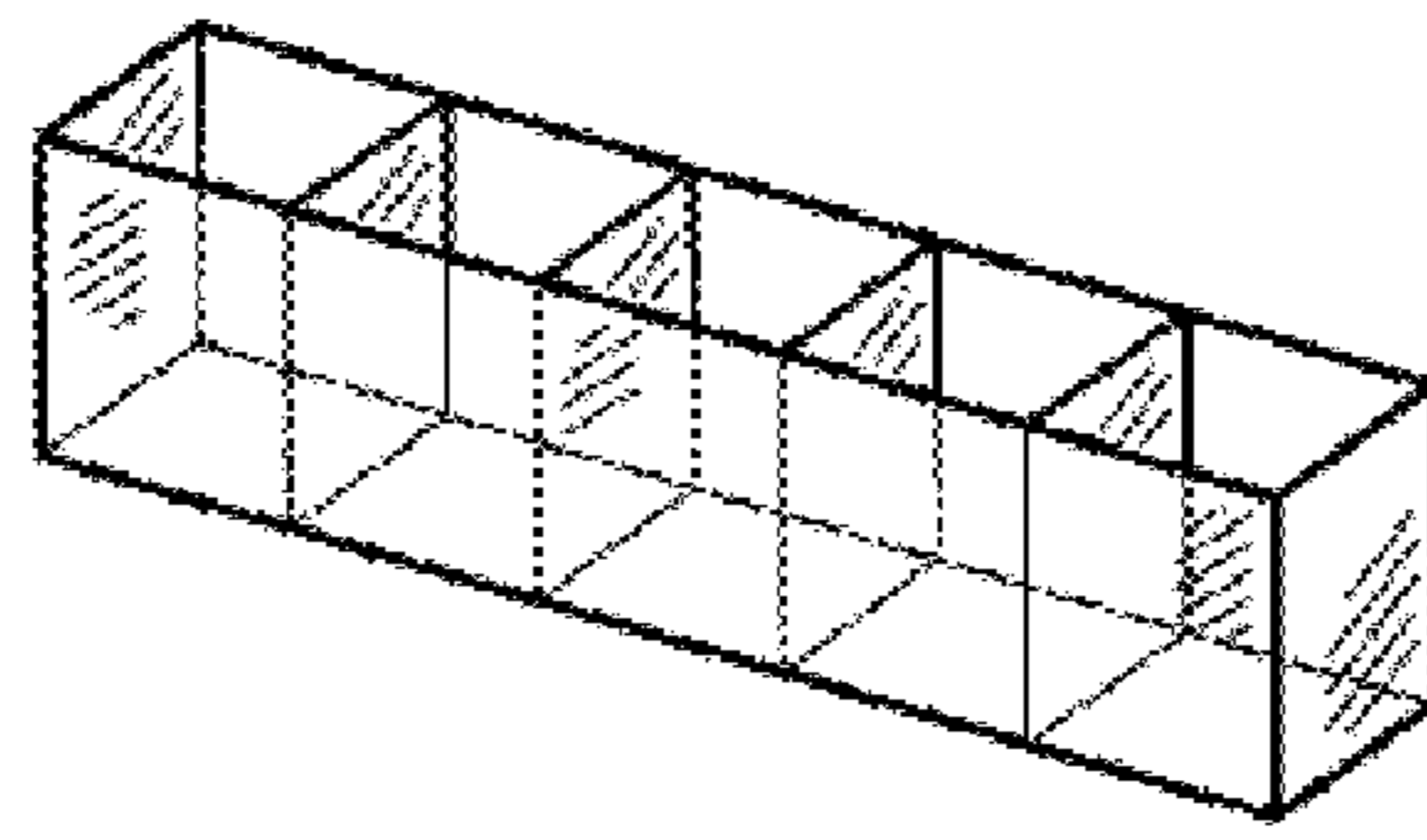


Fig. 17

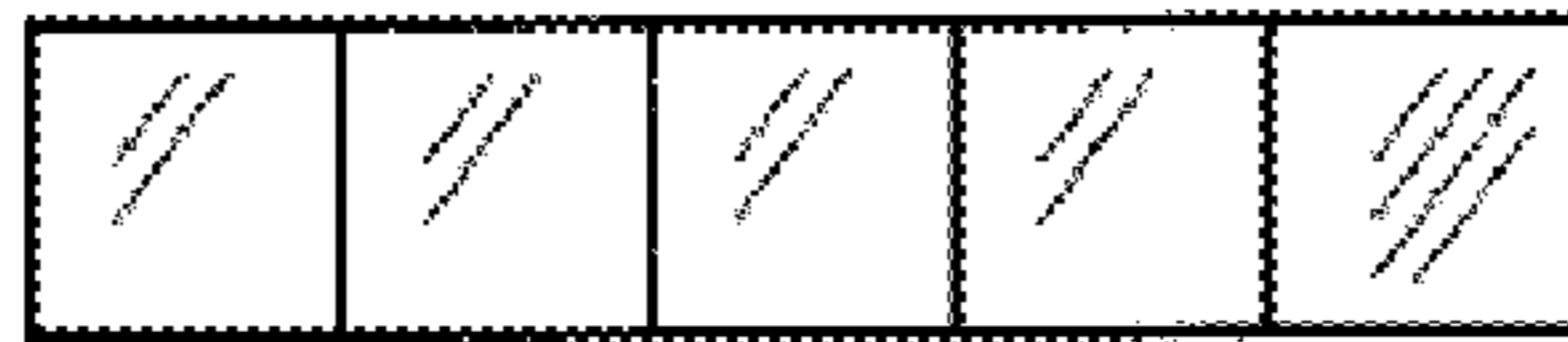


Fig. 18

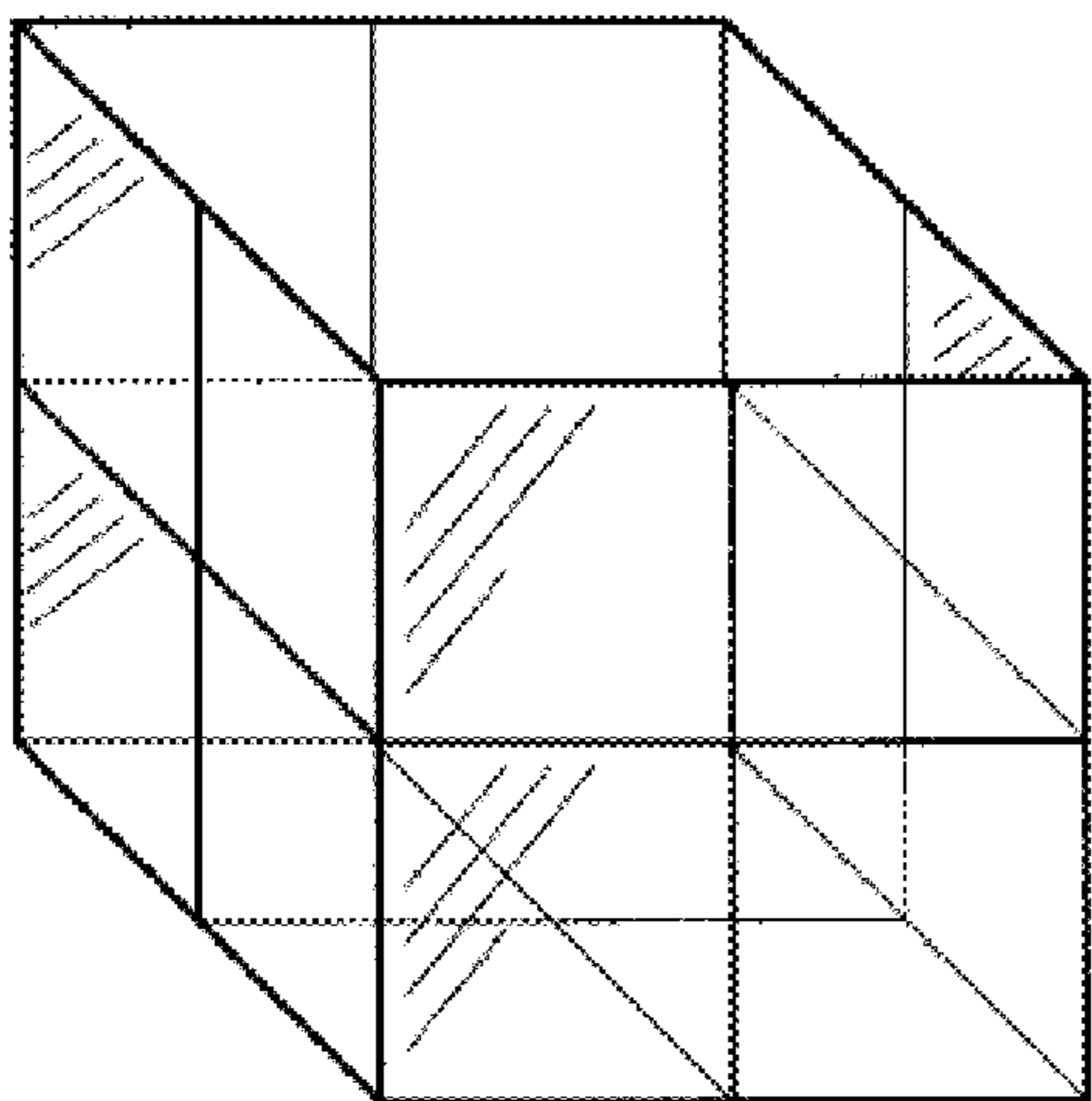


Fig. 19

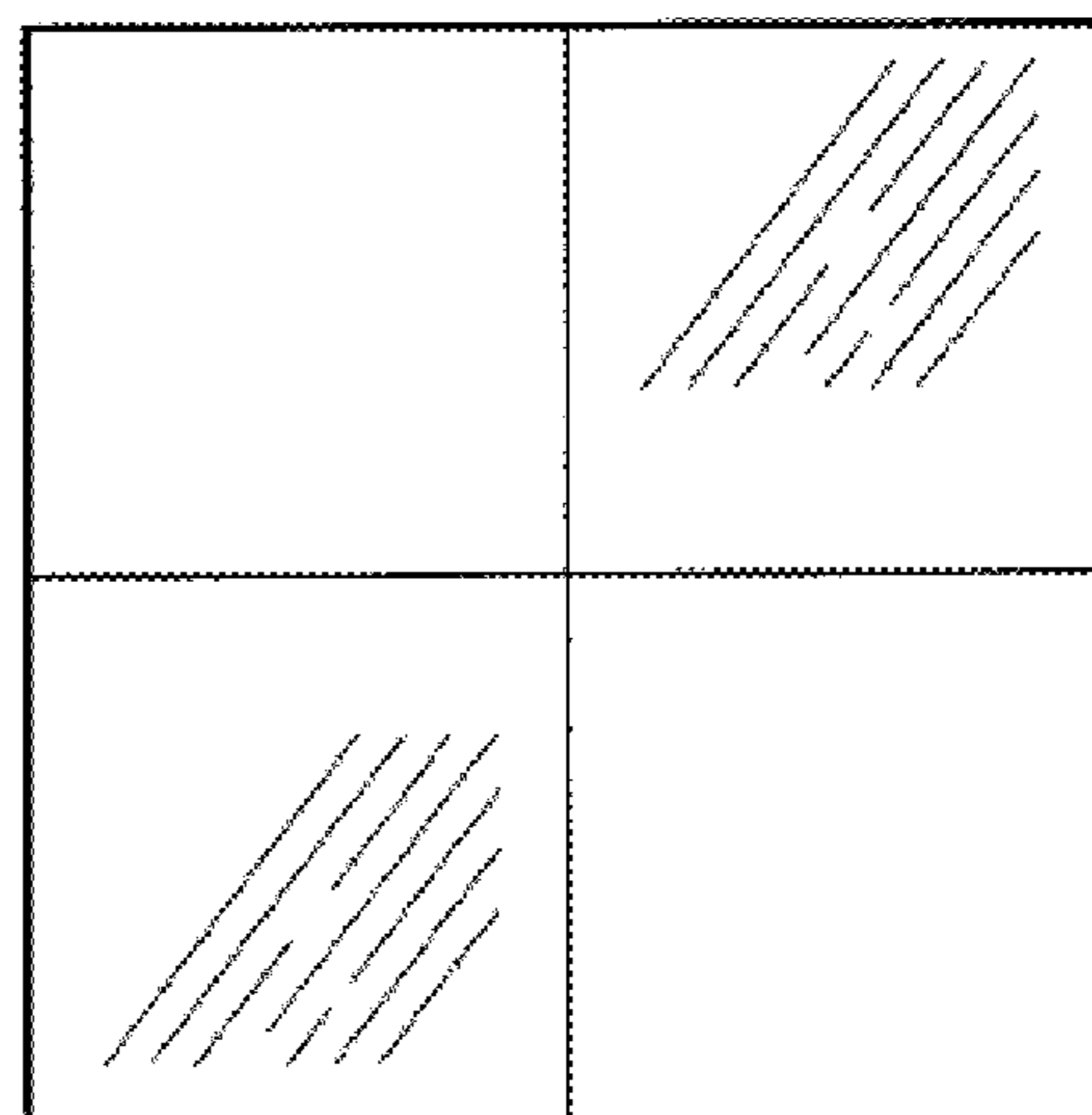


Fig. 20

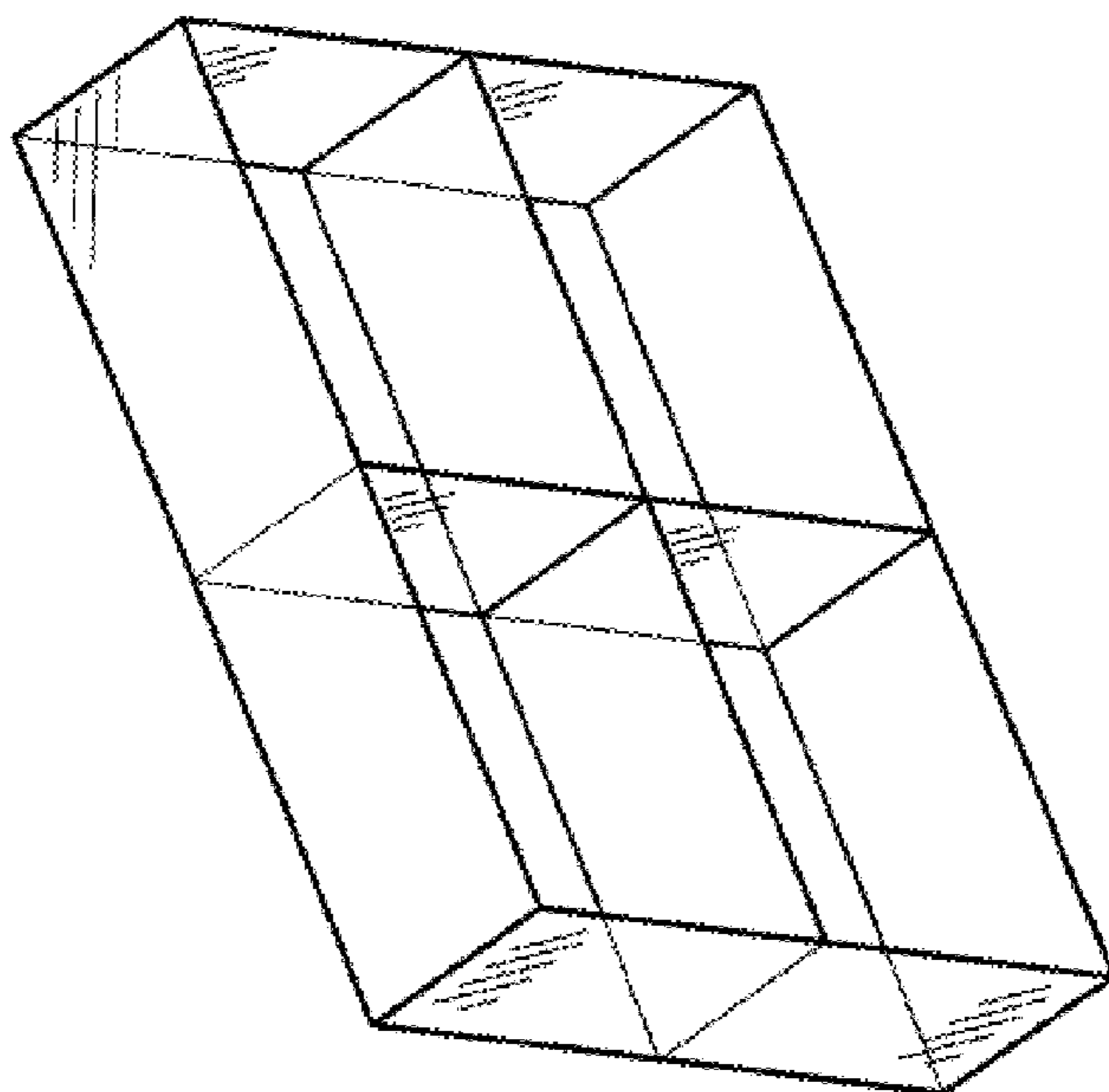


Fig. 21

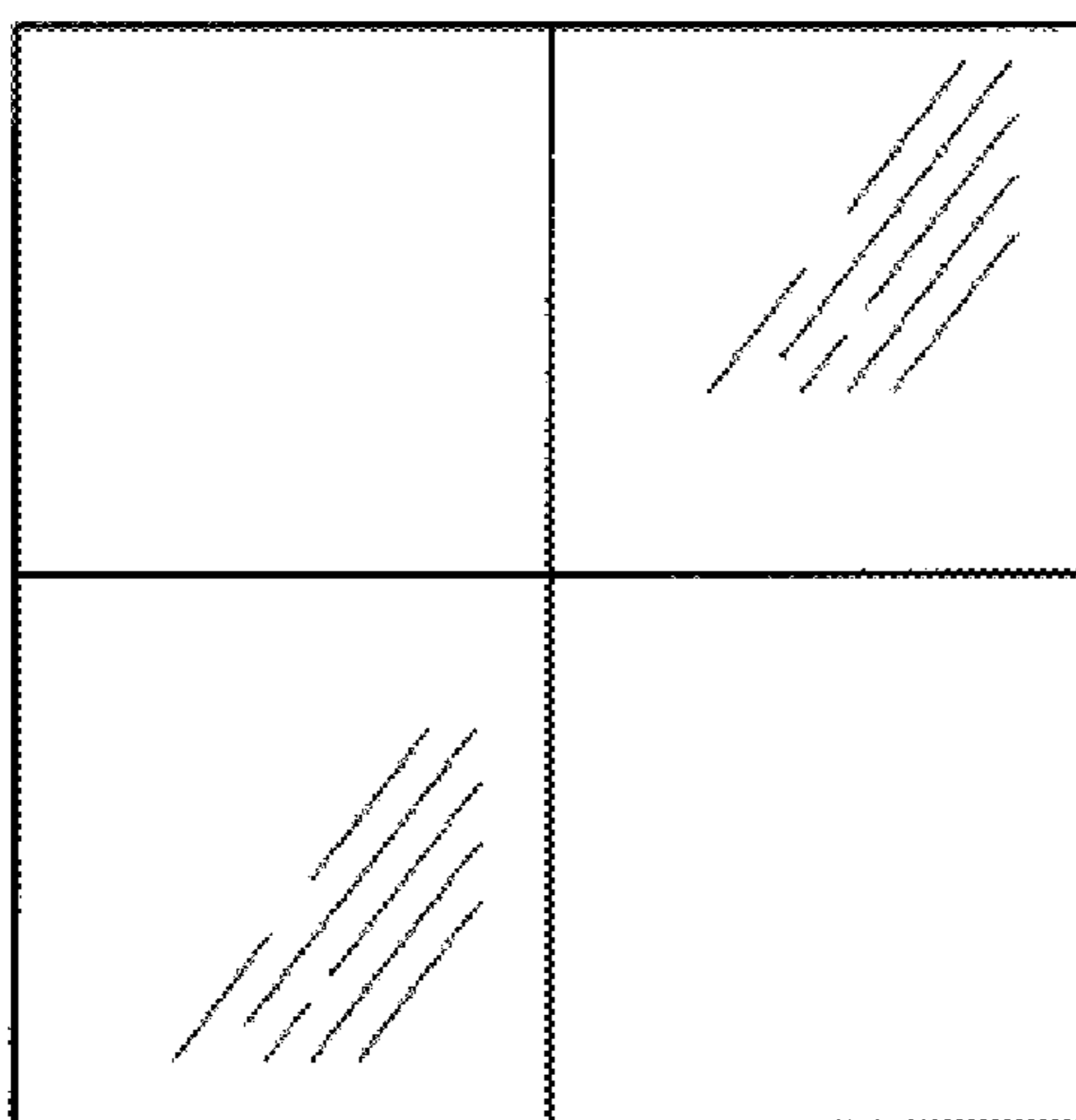


Fig. 22