



US00D610195S

(12) **United States Design Patent**
Liu

(10) **Patent No.:** **US D610,195 S**
(45) **Date of Patent:** **** Feb. 16, 2010**

(54) **HIGHLIGHTER**

D535,330 S 1/2007 Hung
D545,899 S * 7/2007 Okutani D19/43

(75) Inventor: **Luosen Liu**, Ningbo (CN)

FOREIGN PATENT DOCUMENTS

(73) Assignee: **Beifa Group Co., Ltd.**, Ningbo (CN)

EM 000369475-0001 * 8/2005
EM 000396049-0002 * 11/2005
HK 0801938.7 * 12/1998
HK 0900089.6 * 3/2009

(**) Term: **14 Years**

(21) Appl. No.: **29/326,682**

OTHER PUBLICATIONS

(22) Filed: **Oct. 22, 2008**

Liu, L., "Highlighter," U.S. Appl. No. 29/326,668, filed Oct. 22, 2008.

(30) **Foreign Application Priority Data**

Apr. 22, 2008 (CN) 2008 3 0119102

* cited by examiner

(51) **LOC (9) Cl.** **19-06**

Primary Examiner—Elizabeth A Albert

(52) **U.S. Cl.** **D19/41**

Assistant Examiner—Karen E Eldridge Powers

(58) **Field of Classification Search** D19/35,
D19/36, 41, 42, 43, 44, 45, 46, 47, 48, 49,
D19/50, 51, 54, 55, 56, 57; 24/11 F, 11 P,
24/11 R; 401/6, 52, 99, 100, 104, 105, 106,
401/107, 108, 109, 192, 195, 221, 234; 708/107
See application file for complete search history.

(74) *Attorney, Agent, or Firm*—Christensen O'Connor
Johnson Kindness PLLC

(57) **CLAIM**

The ornamental design for a highlighter, as shown and described.

(56) **References Cited**

DESCRIPTION

U.S. PATENT DOCUMENTS

2,372,914 A * 4/1945 Schweitzer 401/88
D196,993 S * 11/1963 Green D19/54
D205,330 S 7/1966 Capezzuto
D207,190 S * 3/1967 Darst D19/49
D286,163 S 10/1986 Shintani
D286,546 S 11/1986 Funahashi
D301,252 S * 5/1989 Ohashi et al. D19/43
D302,175 S * 7/1989 Ohashi et al. D19/43
D369,183 S 4/1996 Yoshida
D469,469 S * 1/2003 Schminke et al. D19/69
D497,949 S * 11/2004 Furlong et al. D19/43

FIG. 1 is an upper front perspective view of a highlighter showing my new design;

FIG. 2 is a right side elevation view thereof;

FIG. 3 is a top plan view thereof;

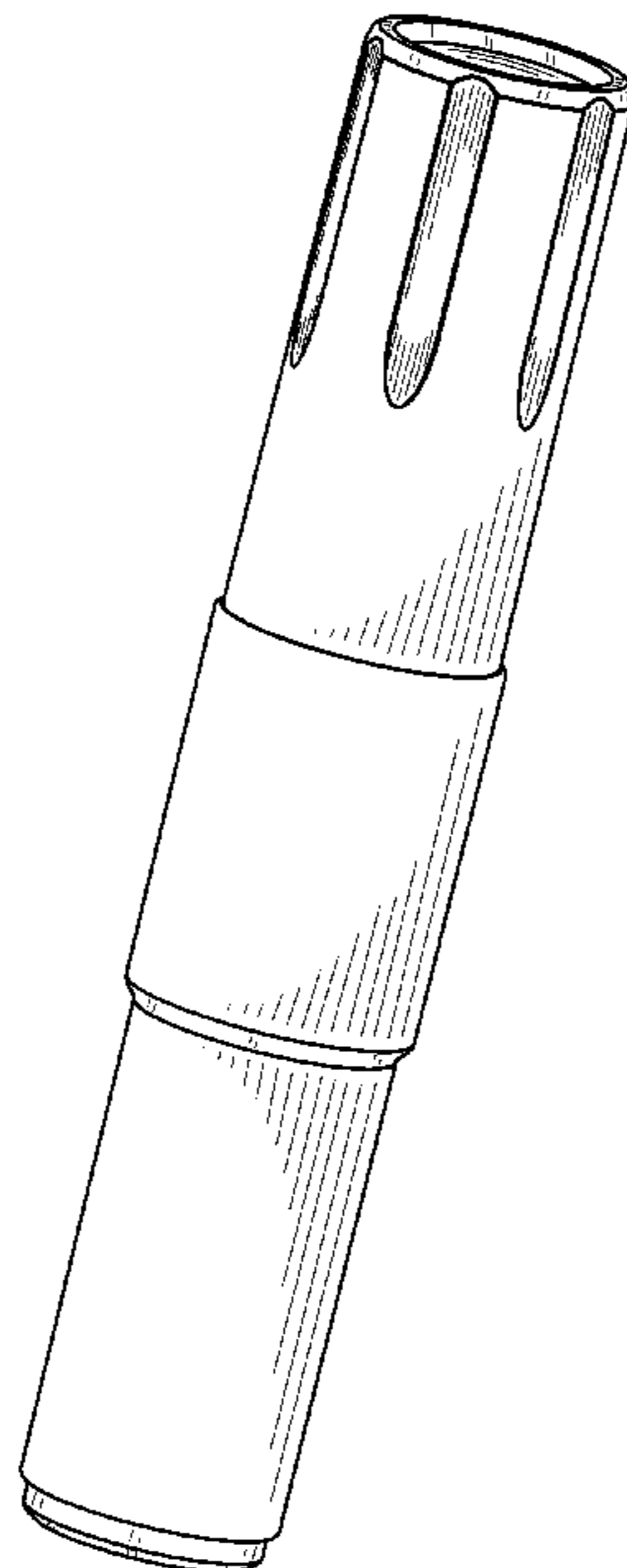
FIG. 4 is a front elevation view thereof;

FIG. 5 is a left side elevation view thereof;

FIG. 6 is a bottom plan view thereof; and,

FIG. 7 is a rear elevation view thereof.

1 Claim, 3 Drawing Sheets



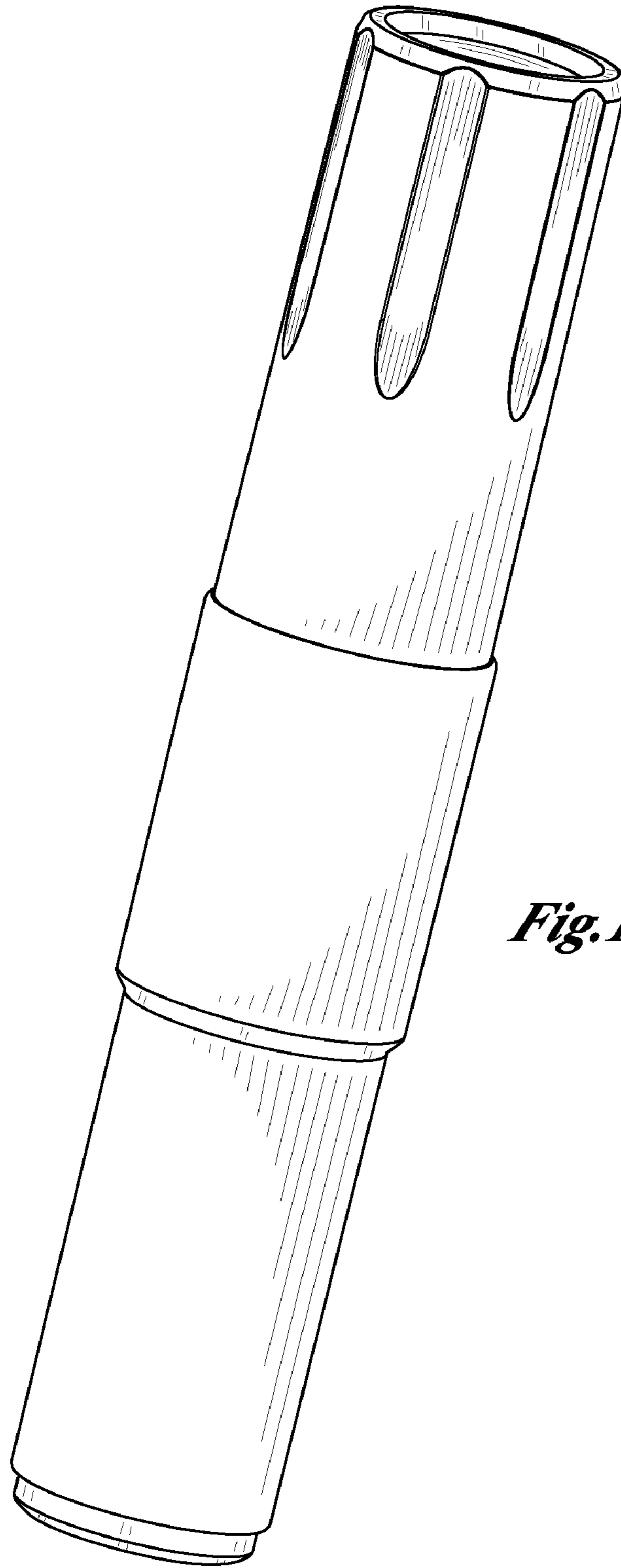


Fig. 1.

Fig.2.

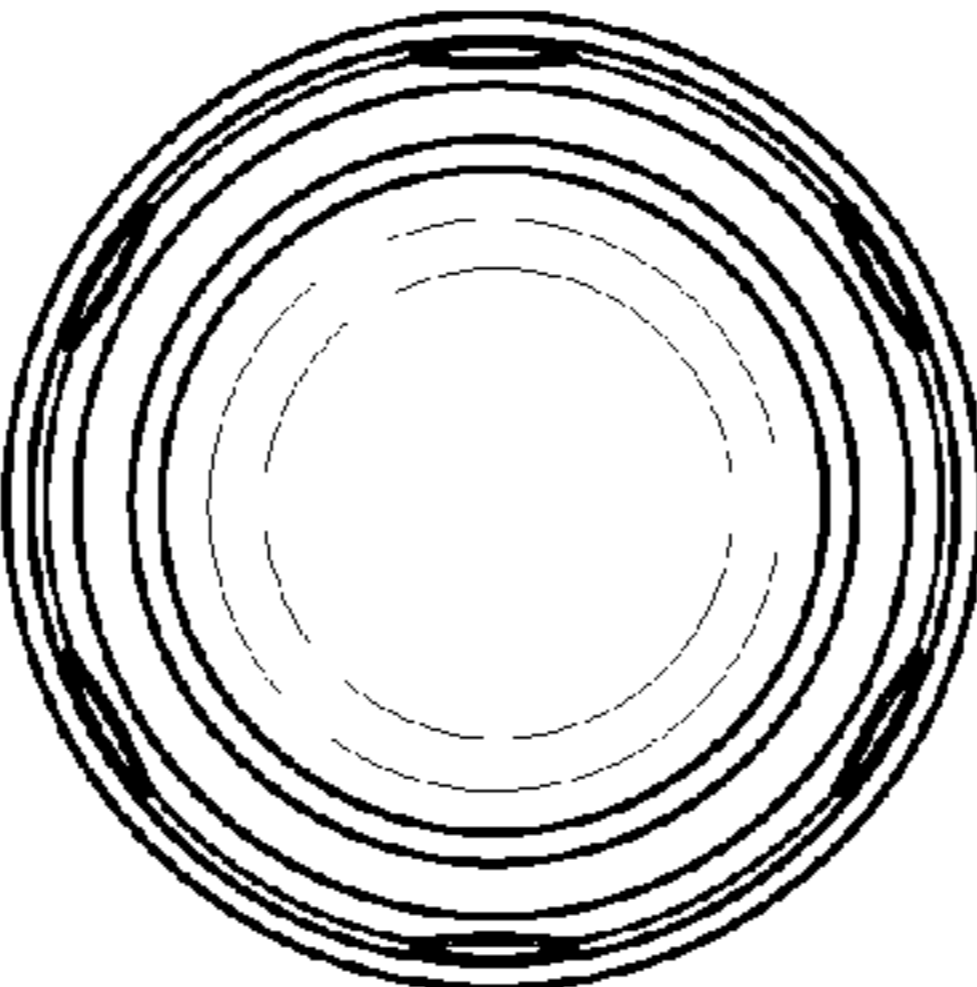
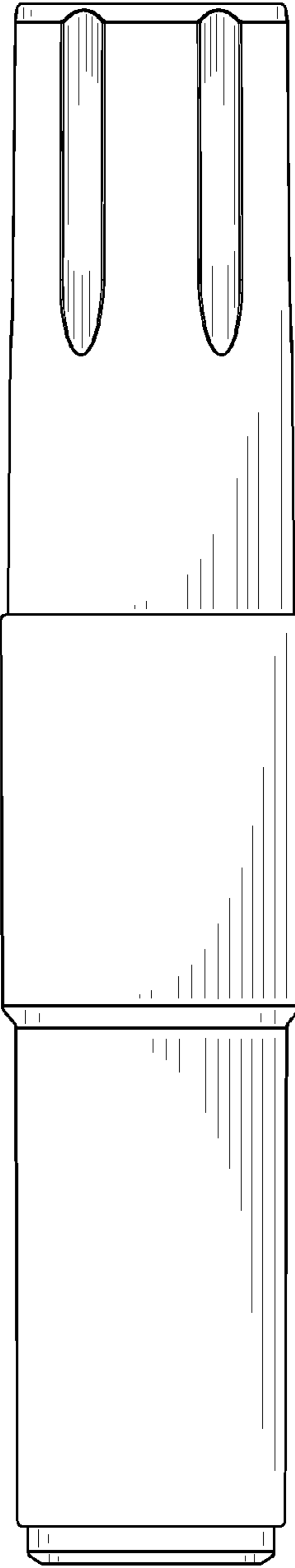


Fig.3.

Fig.4.

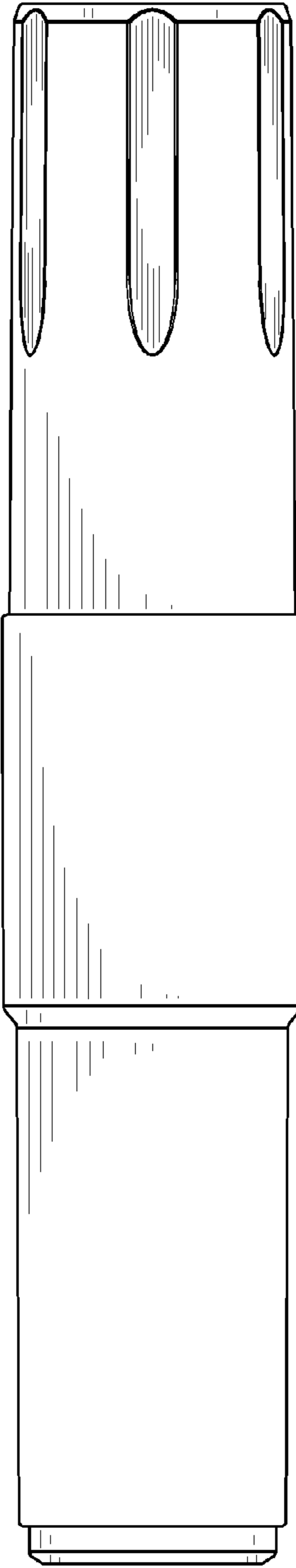


Fig. 5.

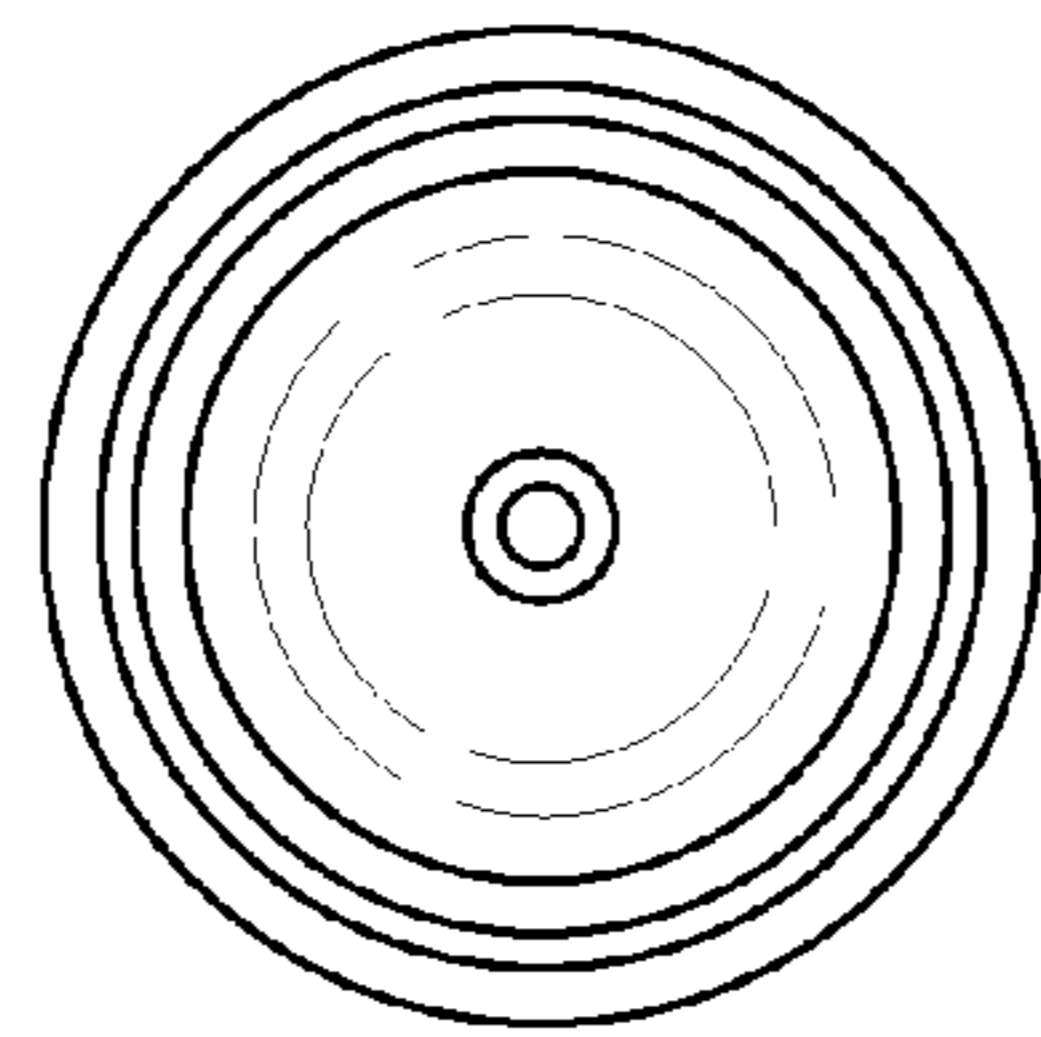
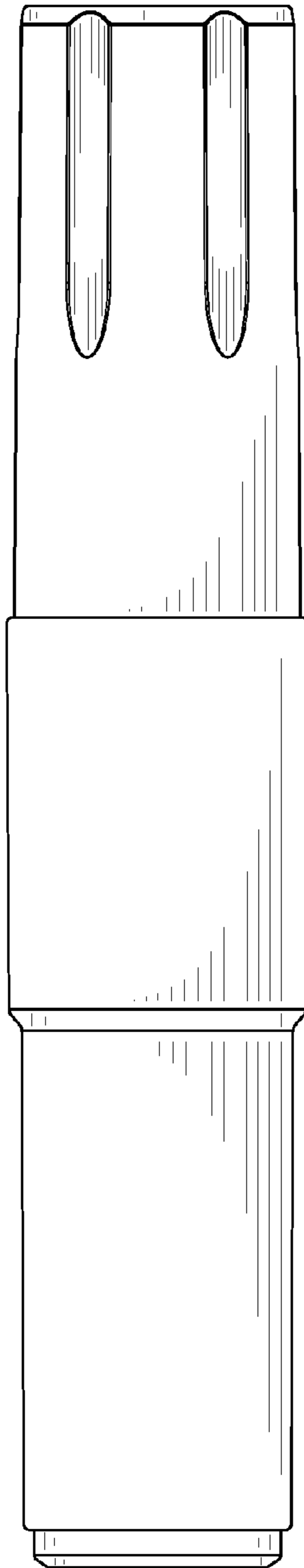


Fig. 6.

Fig. 7.

