



US00D610191S

(12) **United States Design Patent**
Lambert et al.

(10) **Patent No.:** **US D610,191 S**
(45) **Date of Patent:** **** Feb. 16, 2010**

(54) **ELECTRONIC MUSICAL INSTRUMENT**

(57) **CLAIM**

(75) Inventors: **John Henry Lambert**, Ponsworthy
(GB); **Mark Rigamonti**, Ponsworthy
(GB)

The ornamental design for an electronic musical instrument,
as shown and described herein.

(73) Assignee: **Eigenlabs Limited** (GB)

DESCRIPTION

(**) Term: **14 Years**

(21) Appl. No.: **29/333,485**

(22) Filed: **Mar. 10, 2009**

(30) **Foreign Application Priority Data**

Sep. 12, 2008 (EP) 001004626

(51) **LOC (9) Cl.** **17-99**

(52) **U.S. Cl.** **D17/99**

(58) **Field of Classification Search** D17/1,
D17/10, 14, 22, 99; 84/600, 174, 267-269,
84/274, 291, 330, 380 R, 387 R, 406, 411 R,
84/423 R, DIG. 23

See application file for complete search history.

(56) **References Cited**

U.S. PATENT DOCUMENTS

1,611,563	A *	12/1926	Rothman	84/267
3,202,030	A *	8/1965	Polisi	84/380 R
D206,683	S *	1/1967	Brodin	D17/1
3,335,629	A *	8/1967	Brodin	84/1
3,833,751	A *	9/1974	Chapman	84/726
4,038,895	A *	8/1977	Clement et al.	84/687
4,352,310	A *	10/1982	Orlandoni	84/718
D311,750	S *	10/1990	Roberts	D17/14
5,125,315	A *	6/1992	Kawashima	84/619
5,227,575	A *	7/1993	Mishima	84/670
5,300,729	A *	4/1994	Tokunaga et al.	84/657

(Continued)

Primary Examiner—Ian Simmons

Assistant Examiner—R. Johnson

(74) *Attorney, Agent, or Firm*—Harry K. Ahn; Abelman
Frayne & Schwab

FIG. 1 is a right side elevational view of an electronic musical instrument, according to an embodiment of the present invention;

FIG. 2 is a top plan view of the electronic musical instrument of FIG. 1;

FIG. 3 is a bottom plan view of the electronic musical instrument of FIG. 1;

FIG. 4 is a front elevational view of the electronic musical instrument of FIG. 1, the back elevational view being a mirror image;

FIG. 5 is a top, rear, and right side perspective view of the electronic musical instrument of FIG. 1;

FIG. 6 is a top, front, and left side perspective view of the electronic musical instrument of FIG. 1; and,

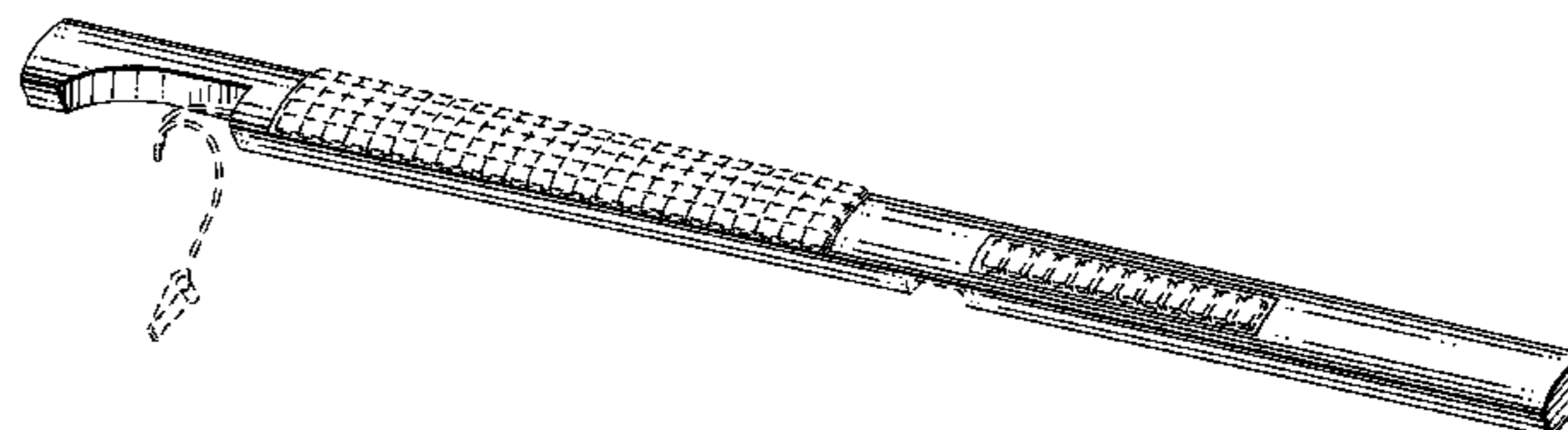
FIG. 7 is a top, front, and right side partial perspective view of the electronic musical instrument of FIG. 1.

The broken lines showing a tube assembly extending from the right side of the instrument in the drawing views are included for the purpose of showing the environment of the electronic musical instrument and forms no part of the claimed design.

The broken lines shown on the top surface of the instrument in the drawing views are included for the purpose of showing the environment of the electronic musical instrument and forms no part of the claimed design.

The broken lines shown on the right side and bottom surface of the instrument in the drawing views are included for the purpose of showing the environment of the electronic musical instrument and forms no part of the claimed design.

1 Claim, 5 Drawing Sheets



US D610,191 S

Page 2

U.S. PATENT DOCUMENTS

5,403,966	A *	4/1995	Kawashima et al.	84/613	D439,603	S *	3/2001	Laird	D17/99
D403,695	S *	1/1999	Katsumata	D17/10	D527,037	S *	8/2006	Berg	D17/99
D406,860	S *	3/1999	Ohno	D17/22	D568,377	S *	5/2008	Kim et al.	D17/14
5,929,361	A *	7/1999	Tanaka	84/742	D591,790	S *	5/2009	Schroeder	D17/14
D427,228	S *	6/2000	Light	D17/10	2008/0028920	A1 *	2/2008	Sullivan	84/722

* cited by examiner

FIG.1

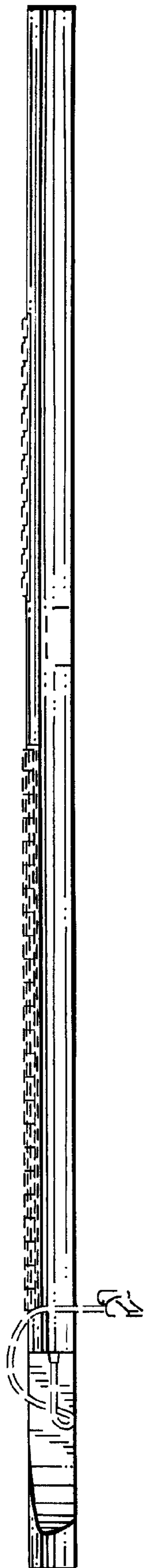


FIG.2

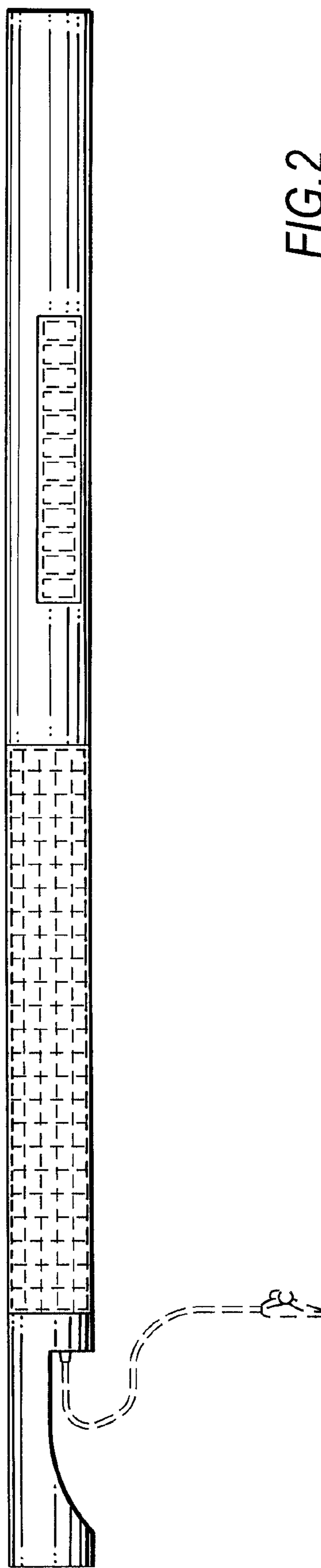


FIG.3

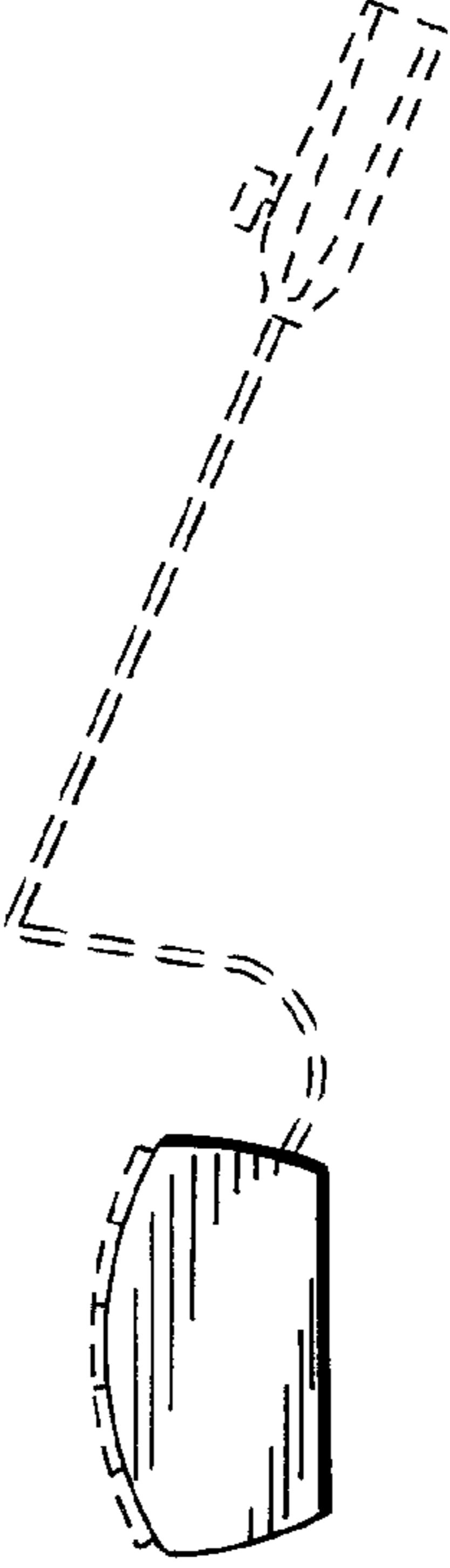
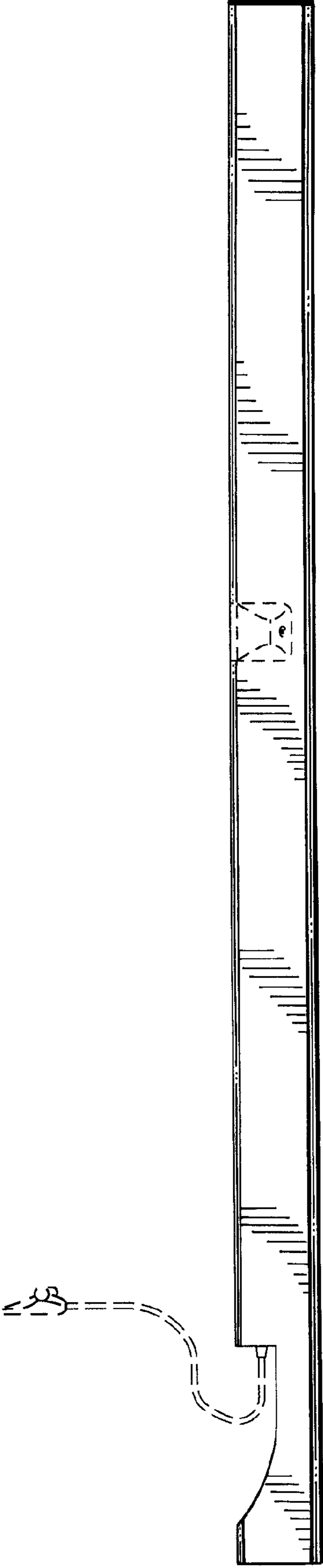


FIG.4

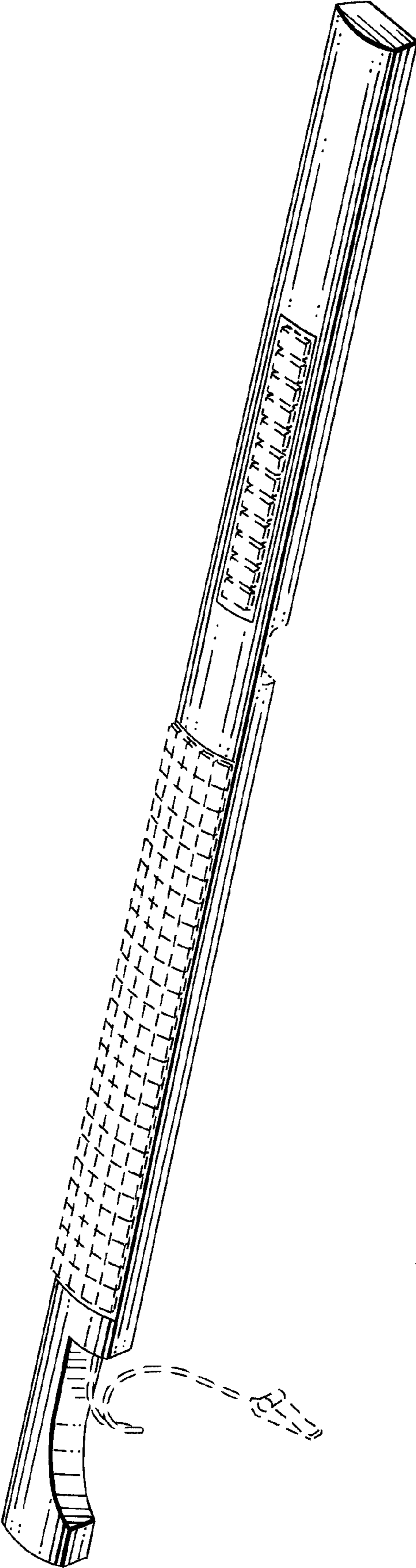


FIG. 5

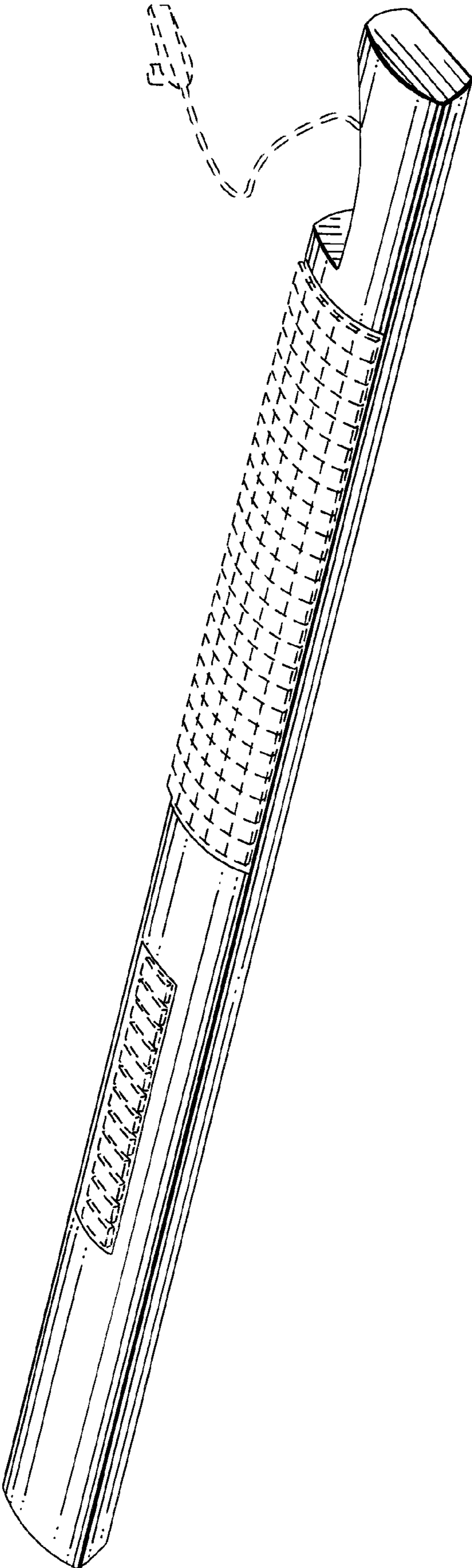


FIG. 6

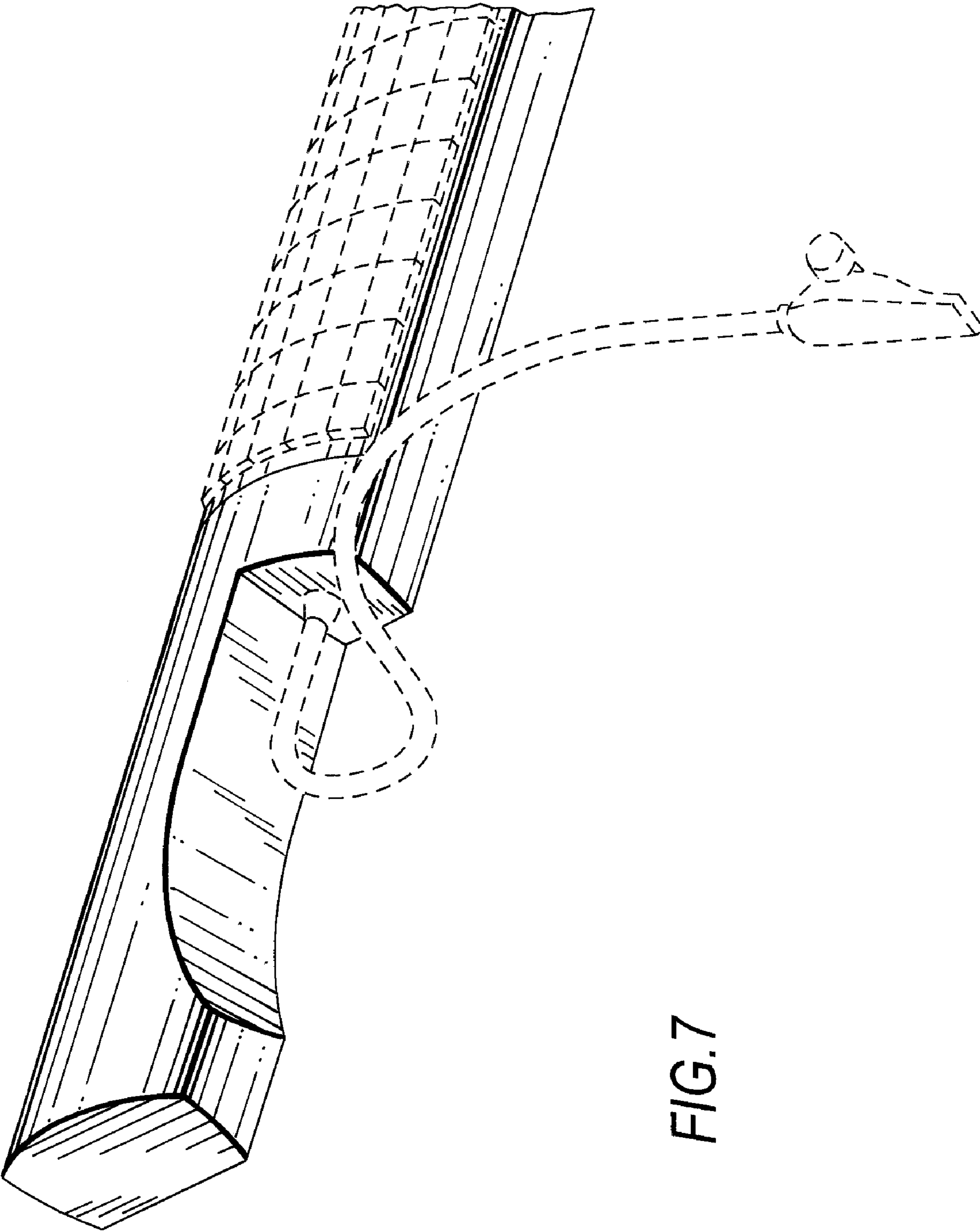


FIG. 7