



US00D610186S

(12) **United States Design Patent**
Jannard et al.

(10) **Patent No.:** **US D610,186 S**

(45) **Date of Patent:** **** Feb. 16, 2010**

(54) **VIDEO CAMERA**

2008/0291319 A1* 11/2008 Jannard et al. 348/345
2009/0128688 A1* 5/2009 Takano 348/373

(75) Inventors: **James H. Jannard**, Las Vegas, NV
(US); **Matthew Tremblay**, Laguna
Beach, CA (US)

OTHER PUBLICATIONS

Jannard, James H., U.S. Appl. No. 12/345,437, filed Dec. 29, 2008
entitled: Modular Motion Camera (Redcom.029A)—24 pages.

(73) Assignee: **Red.Com, Inc.**, Lake Forest, CA (US)

* cited by examiner

(**) Term: **14 Years**

Primary Examiner—Ian Simmons
Assistant Examiner—Wan Laymon

(21) Appl. No.: **29/306,187**

(74) *Attorney, Agent, or Firm*—Knobbe Martens Olson &
Bear LLP

(22) Filed: **Apr. 3, 2008**

(51) **LOC (9) Cl.** **16-05**

(52) **U.S. Cl.** **D16/219; D16/202**

(58) **Field of Classification Search** D16/200–205,
D16/208, 217–219; 348/373–376; 358/906;
396/535–543

(57) **CLAIM**

See application file for complete search history.

The ornamental design for a video camera, as shown and
described.

DESCRIPTION

(56) **References Cited**

FIG. 1 is a perspective view of a video camera showing our
new design;

U.S. PATENT DOCUMENTS

FIG. 2 is a front elevational view thereof;

D316,556 S * 4/1991 Reddig et al. D16/209

FIG. 3 is a rear elevational view thereof;

D360,646 S * 7/1995 Nomura D16/202

FIG. 4 is a left side elevational view thereof;

D409,641 S * 5/1999 Uehara D16/203

FIG. 5 is a right side elevational view thereof;

D441,386 S * 5/2001 Yamazaki D16/203

FIG. 6 is a top plan view thereof; and,

D531,200 S * 10/2006 Taneno et al. D16/203

FIG. 7 is a bottom plan view thereof.

D543,568 S * 5/2007 Naruki D16/203

The broken line showing portions of a video camera is
included for the purpose of illustrating environmental struc-
ture and forms no part of the claimed design.

D558,805 S * 1/2008 Sadatsuki D16/202

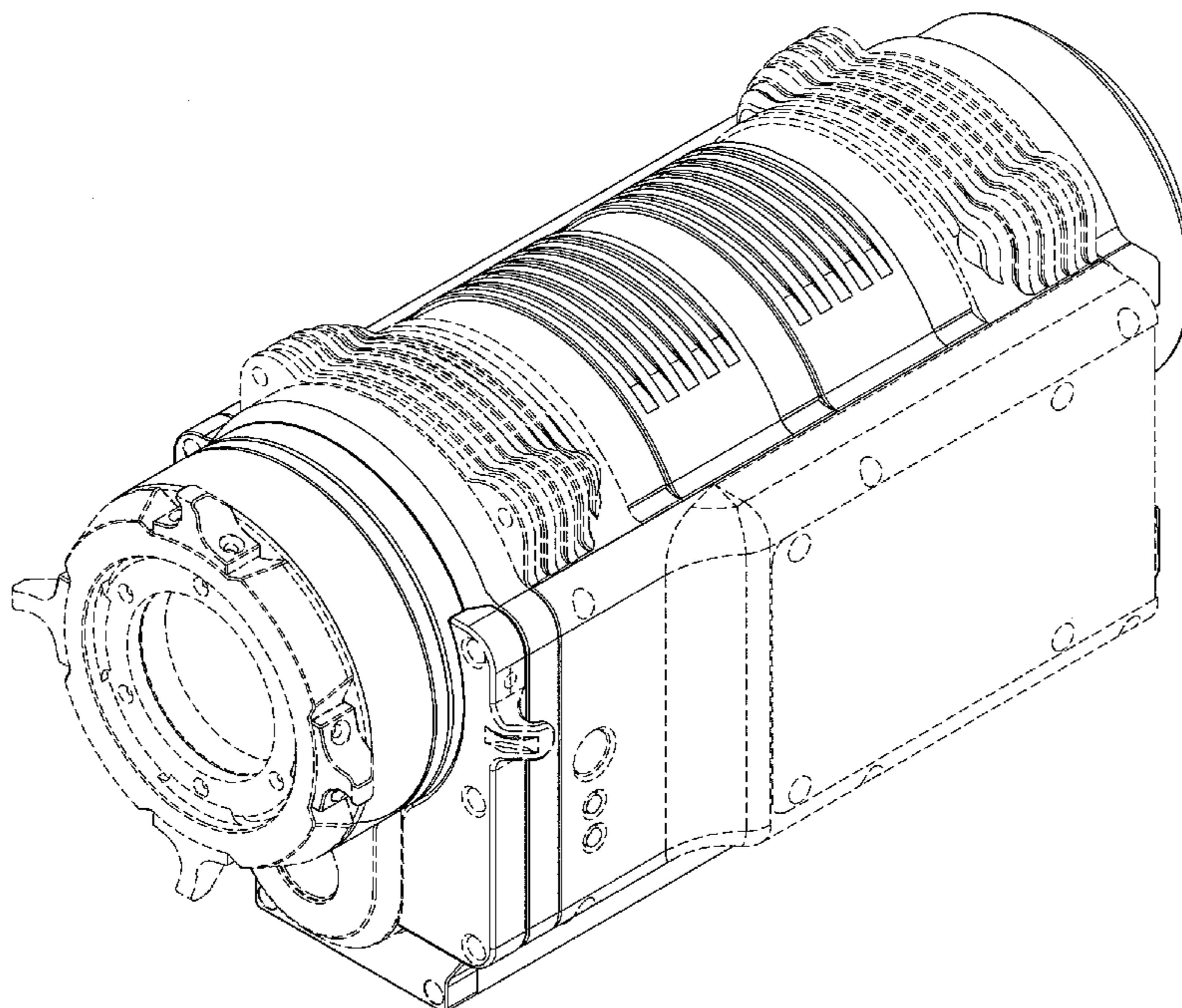
D584,755 S * 1/2009 Eriksson D16/202

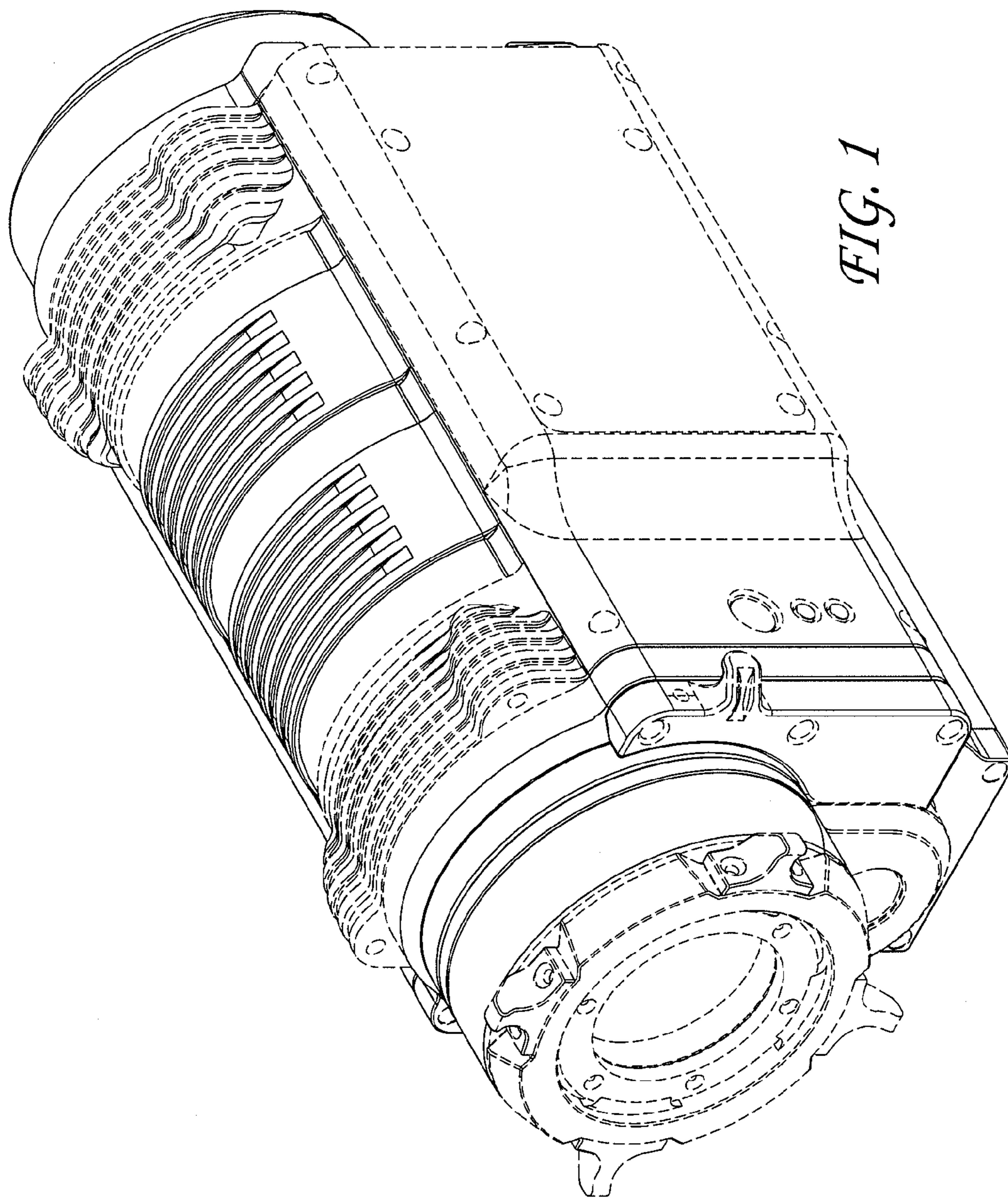
D586,834 S * 2/2009 Andrews et al. D16/203

D592,231 S * 5/2009 Schnell D16/202

2007/0297793 A1* 12/2007 Noguchi 396/529

1 Claim, 6 Drawing Sheets





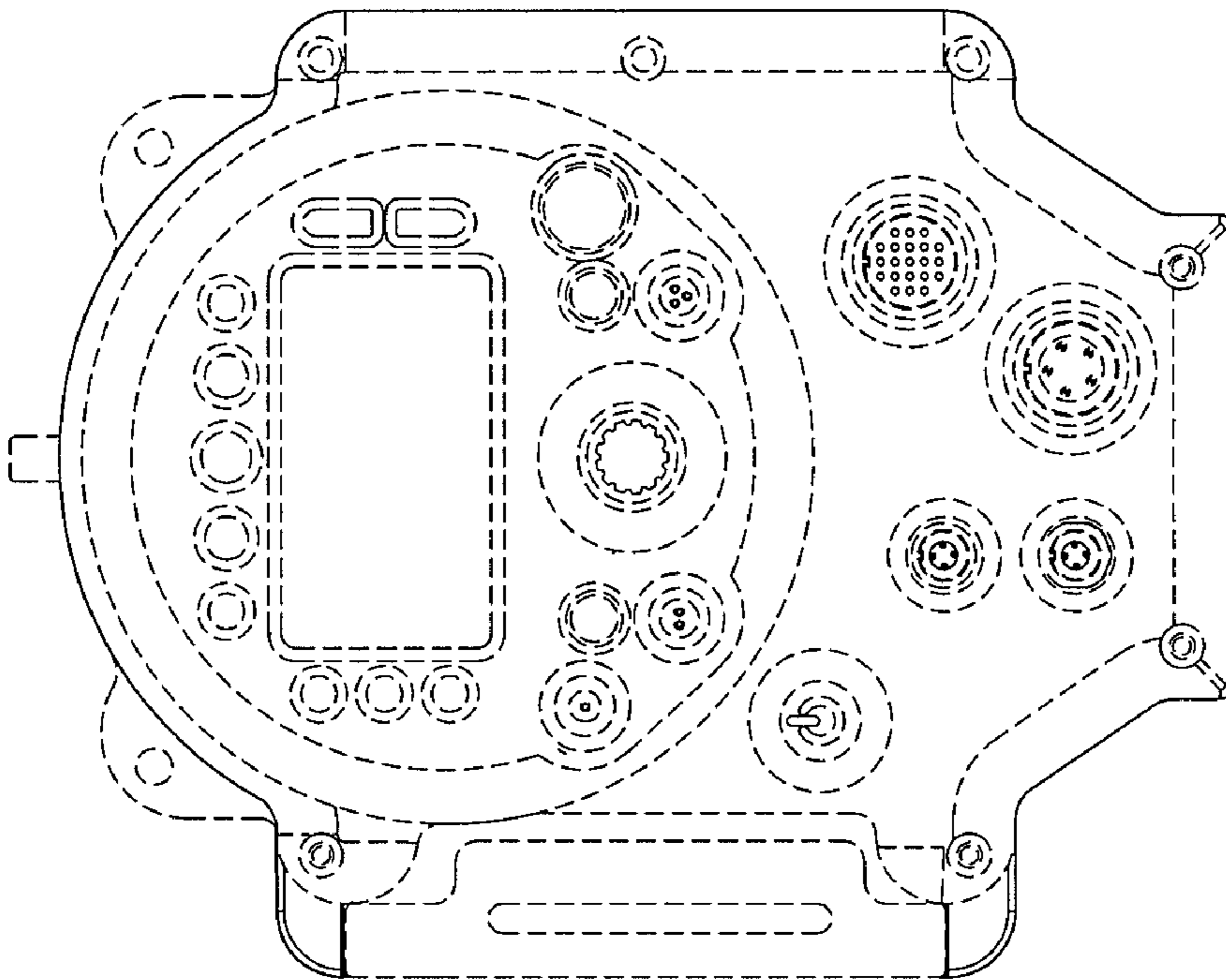


FIG. 3

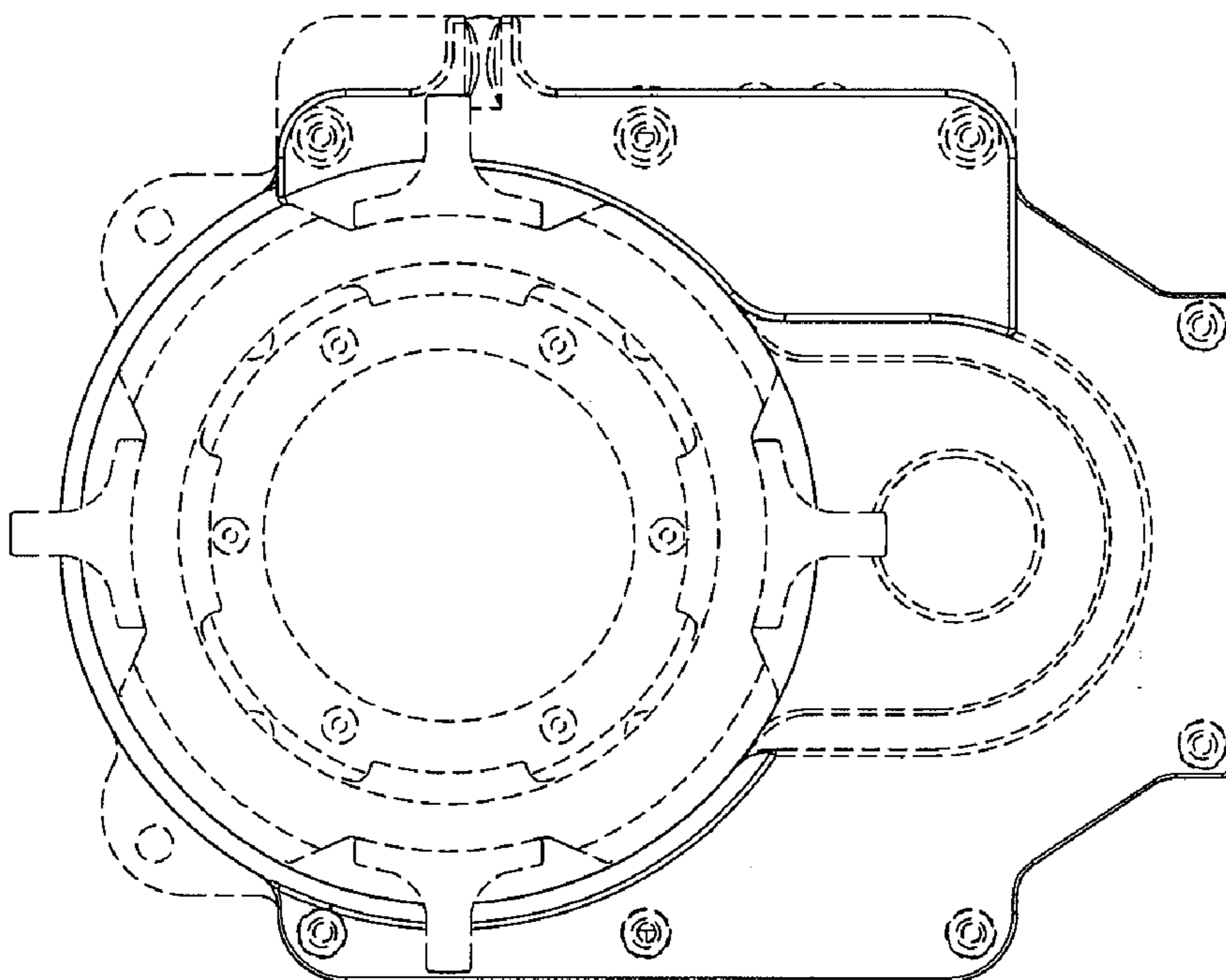


FIG. 2

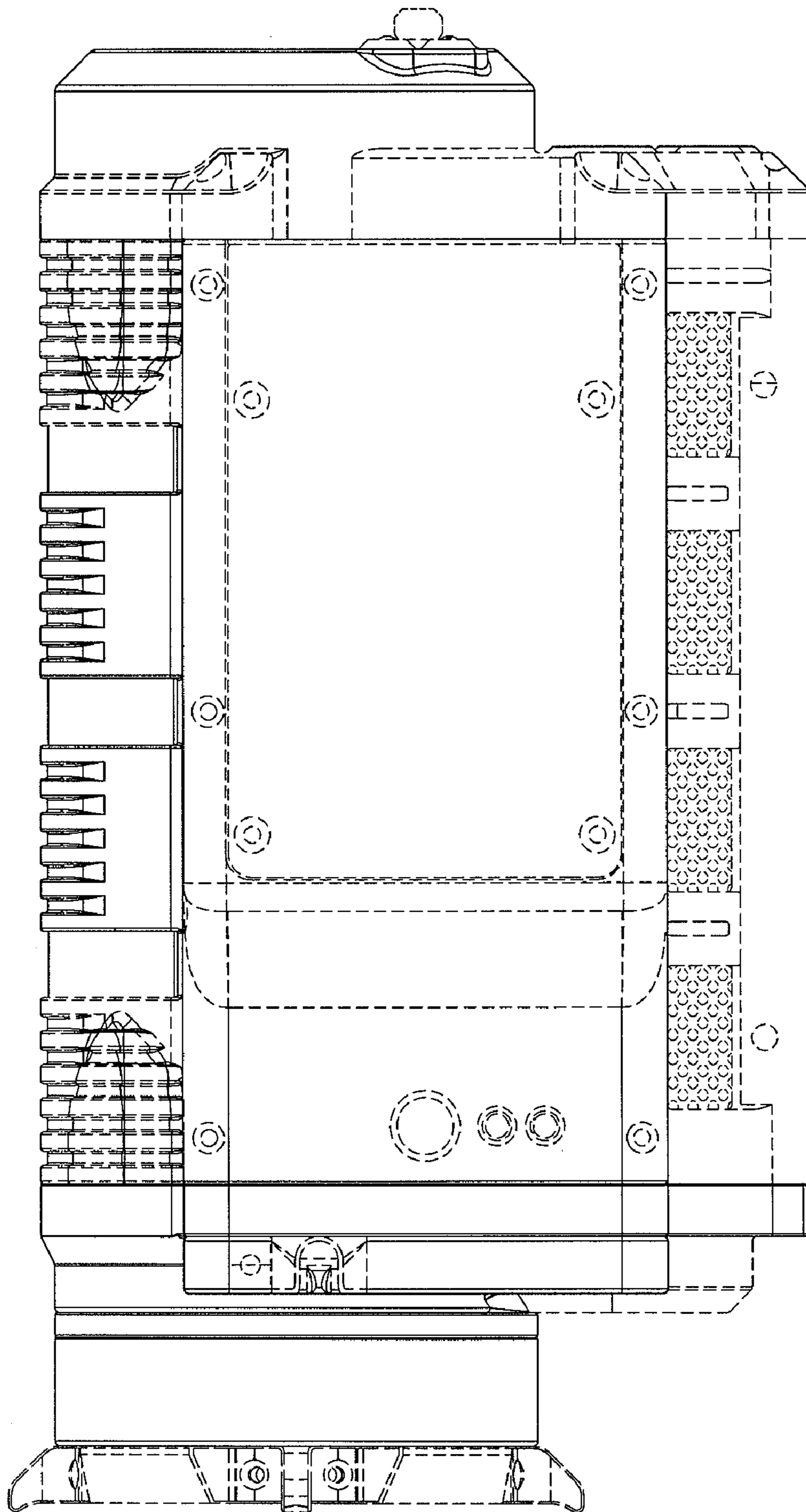


FIG. 4

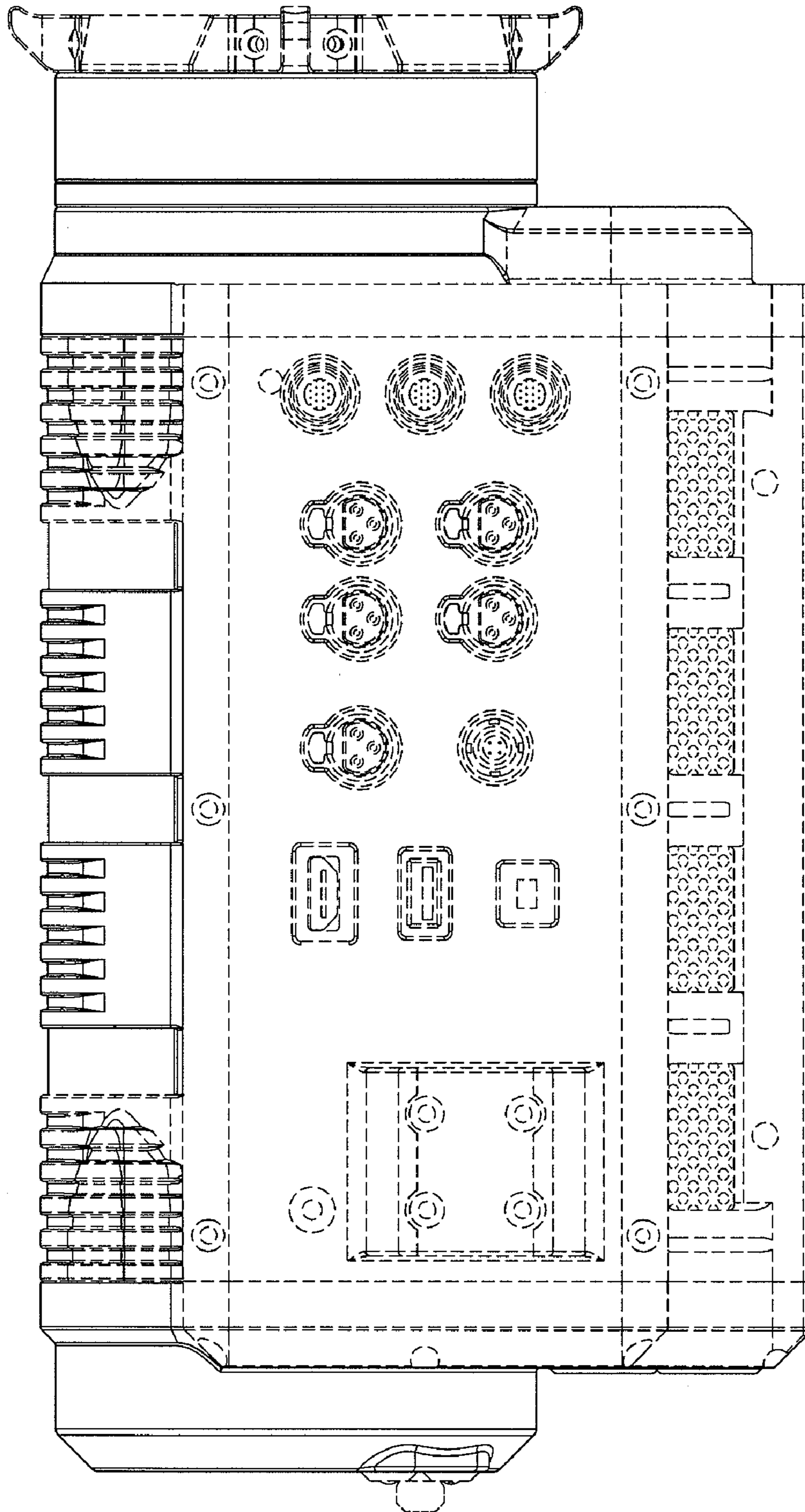


FIG. 5

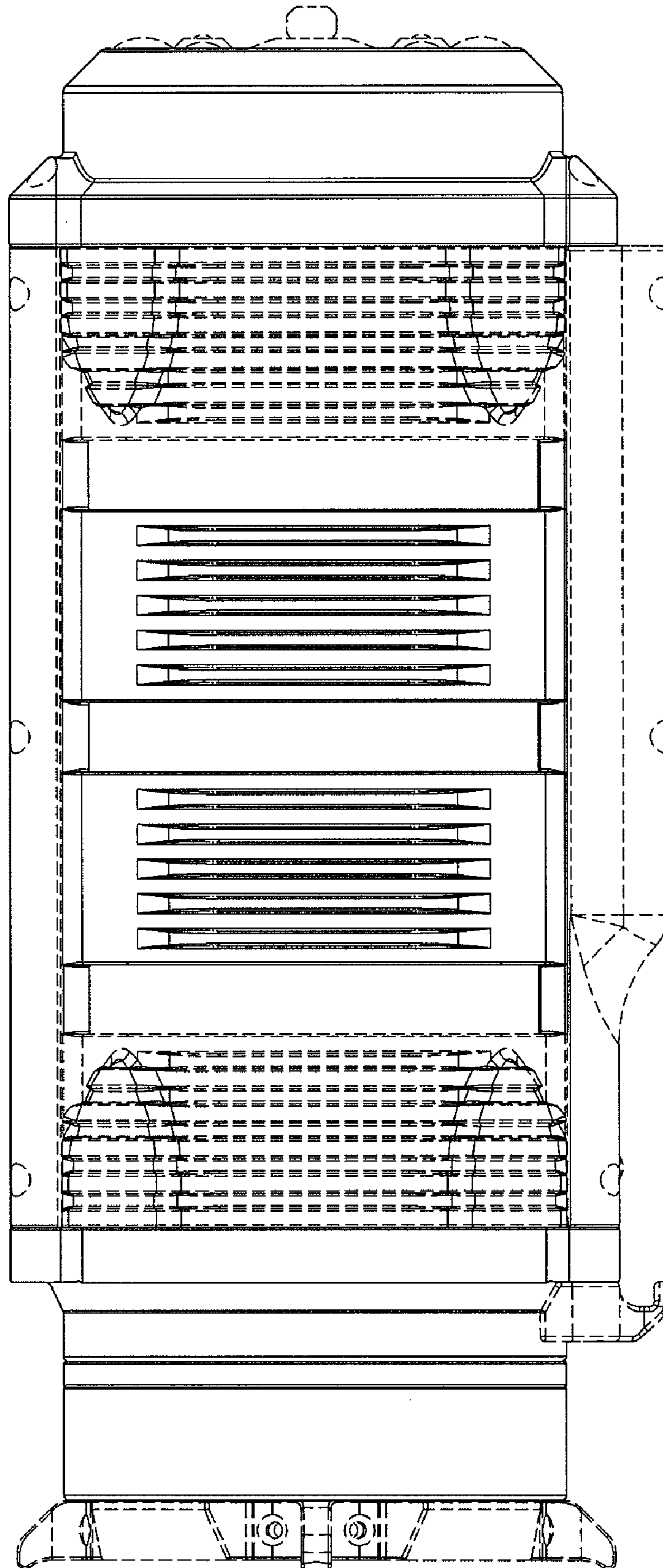


FIG. 6

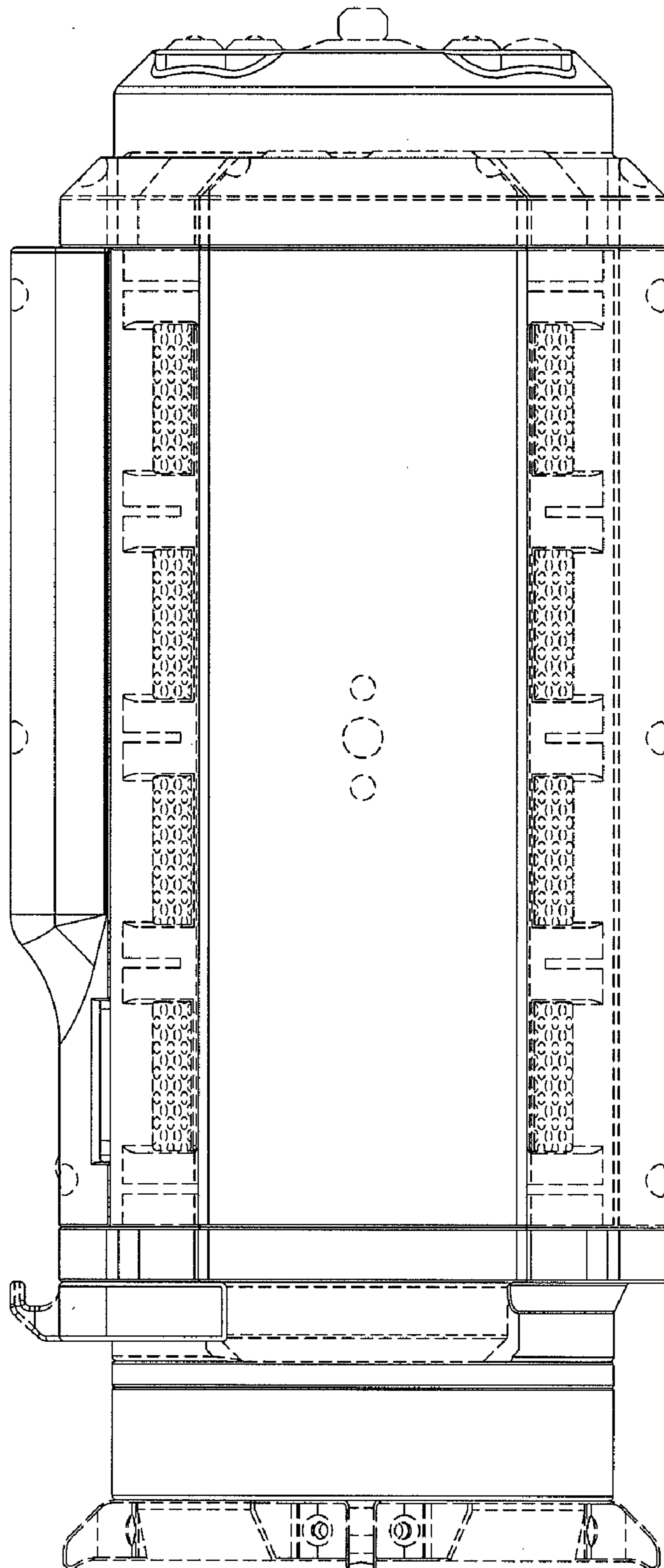


FIG. 7