



US00D610185S

(12) **United States Design Patent**  
**Chou**

(10) **Patent No.:** **US D610,185 S**

(45) **Date of Patent:** **\*\* Feb. 16, 2010**

(54) **DUAL-LENS CAMERA DEVICE**

D494,990 S \* 8/2004 Su et al. .... D16/202

(75) Inventor: **Rong-her Chou, Yu-Lin Hsien (TW)**

\* cited by examiner

(73) Assignee: **Tech-Cast Mfg. Corp., Yu-Lin Hsien (TW)**

*Primary Examiner*—Adir Aronovich

(74) *Attorney, Agent, or Firm*—WPAT, PC; Justin King

(\*\*) Term: **14 Years**

(57) **CLAIM**

(21) Appl. No.: **29/332,507**

The ornamental design for a dual-lens camera device, as shown and described.

(22) Filed: **Feb. 18, 2009**

**DESCRIPTION**

(51) **LOC (9) Cl.** ..... **16-01**

(52) **U.S. Cl.** ..... **D16/218; D16/207**

(58) **Field of Classification Search** ..... D16/200–204, D16/207, 217, 218; 396/25–29, 535–541  
See application file for complete search history.

FIG. 1 is a front and right side perspective view of a dual-lens camera device showing my new design;

FIG. 2 is a front elevational view thereof;

FIG. 3 is a rear elevational view thereof;

FIG. 4 is a left side elevational view thereof;

FIG. 5 is a right side elevational view thereof;

FIG. 6 is a top plan view thereof;

FIG. 7 is a bottom plan view thereof; and,

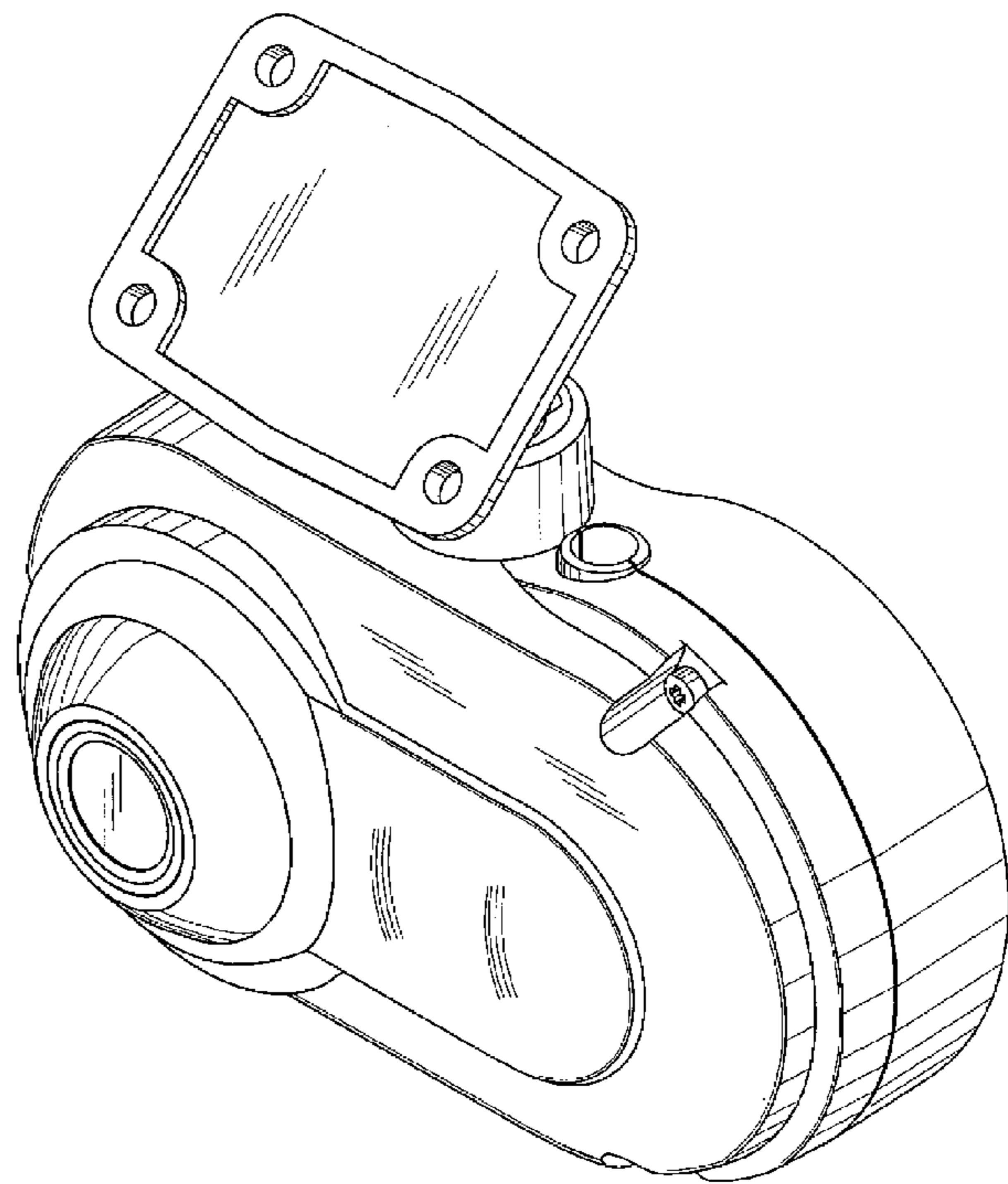
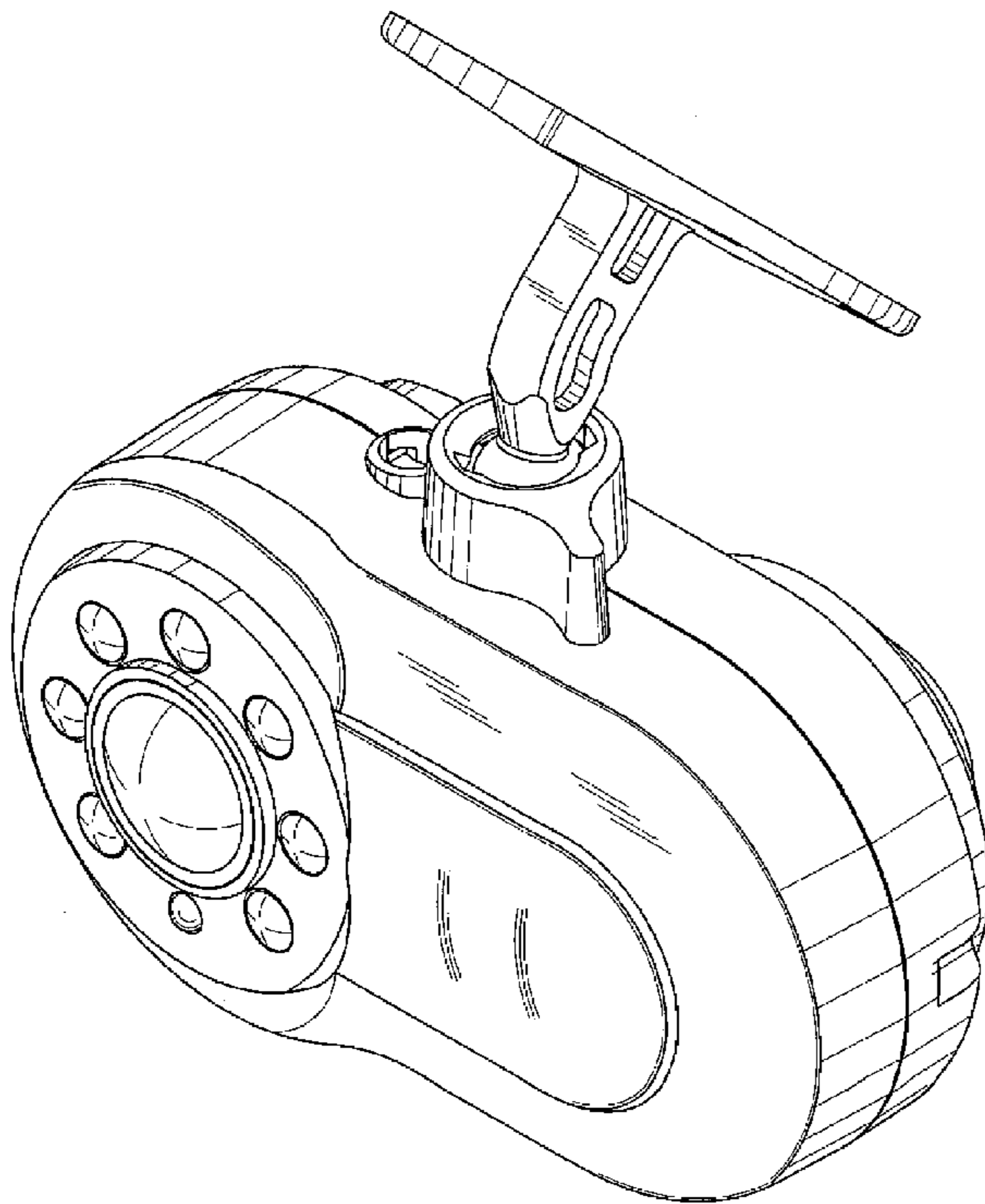
FIG. 8 is a rear and left side perspective view thereof.

(56) **References Cited**

**U.S. PATENT DOCUMENTS**

D99,297 S	*	4/1936	Nuchterlein	.....	D16/217
D102,527 S	*	12/1936	TeaGue	.....	D16/218
D198,601 S	*	7/1964	Hohulin	.....	D16/206
D416,270 S	*	11/1999	Harata	.....	D16/202
D450,073 S	*	11/2001	Sumita	.....	D16/202

**1 Claim, 8 Drawing Sheets**



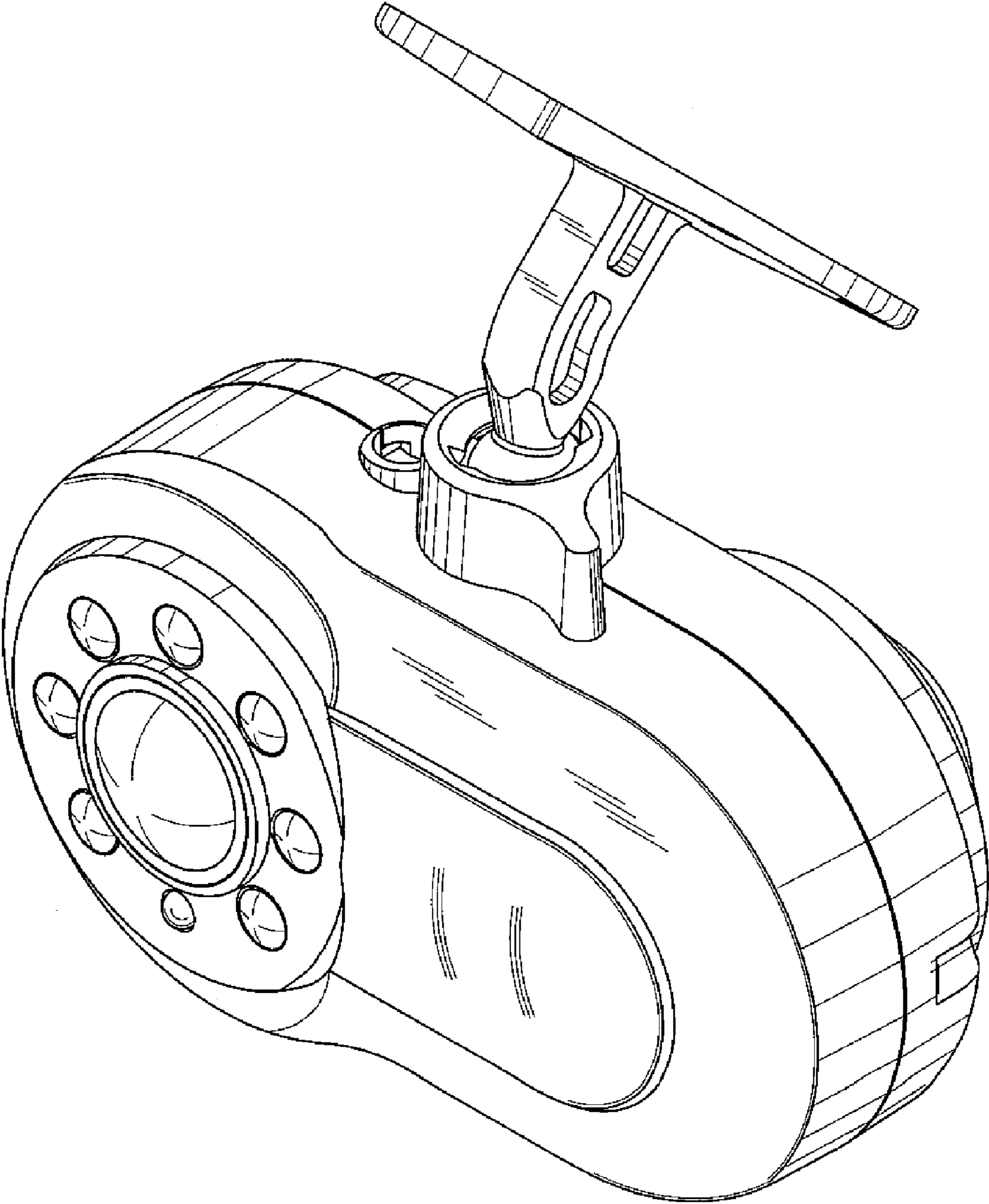


FIG. 1

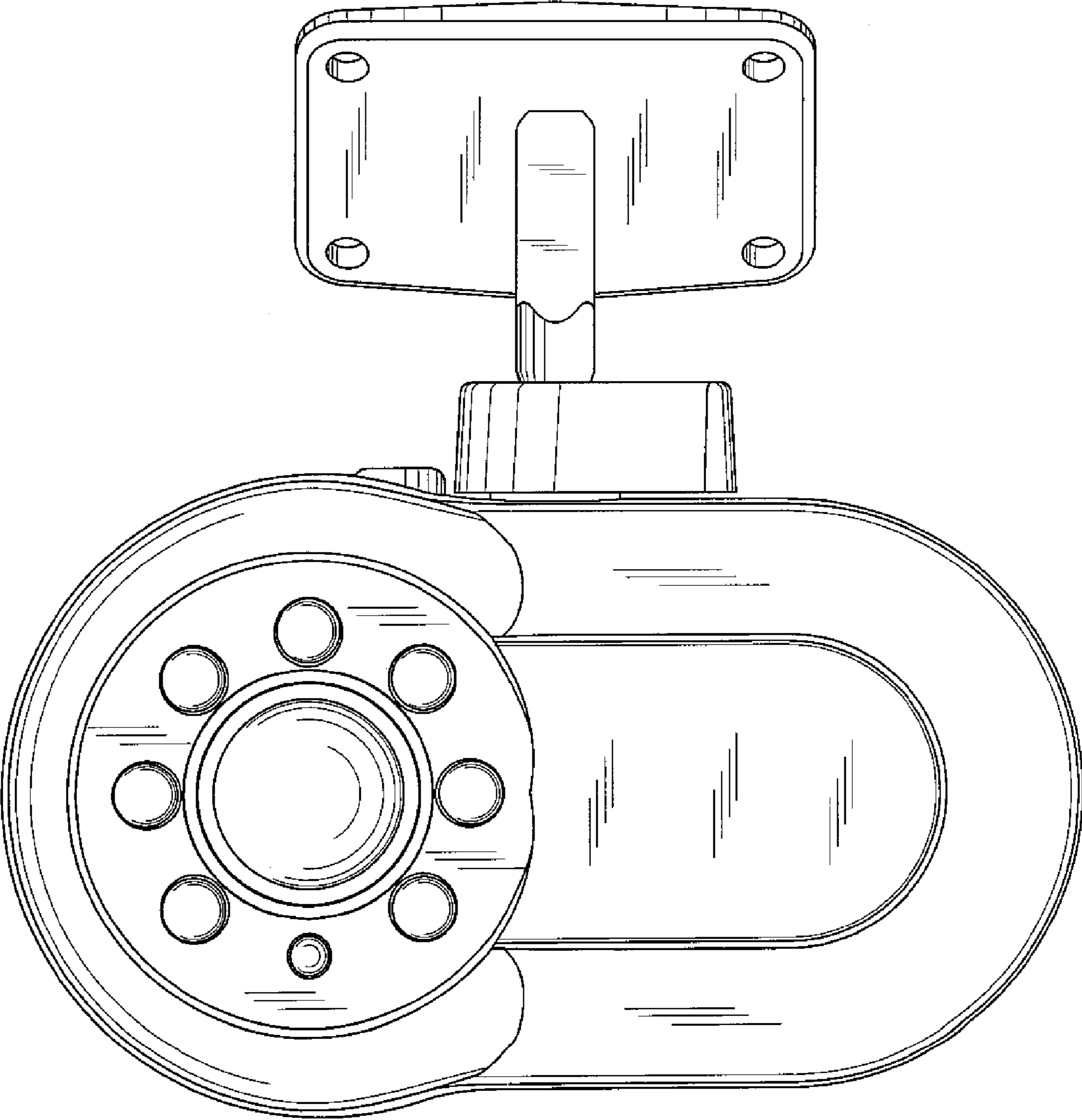


FIG. 2

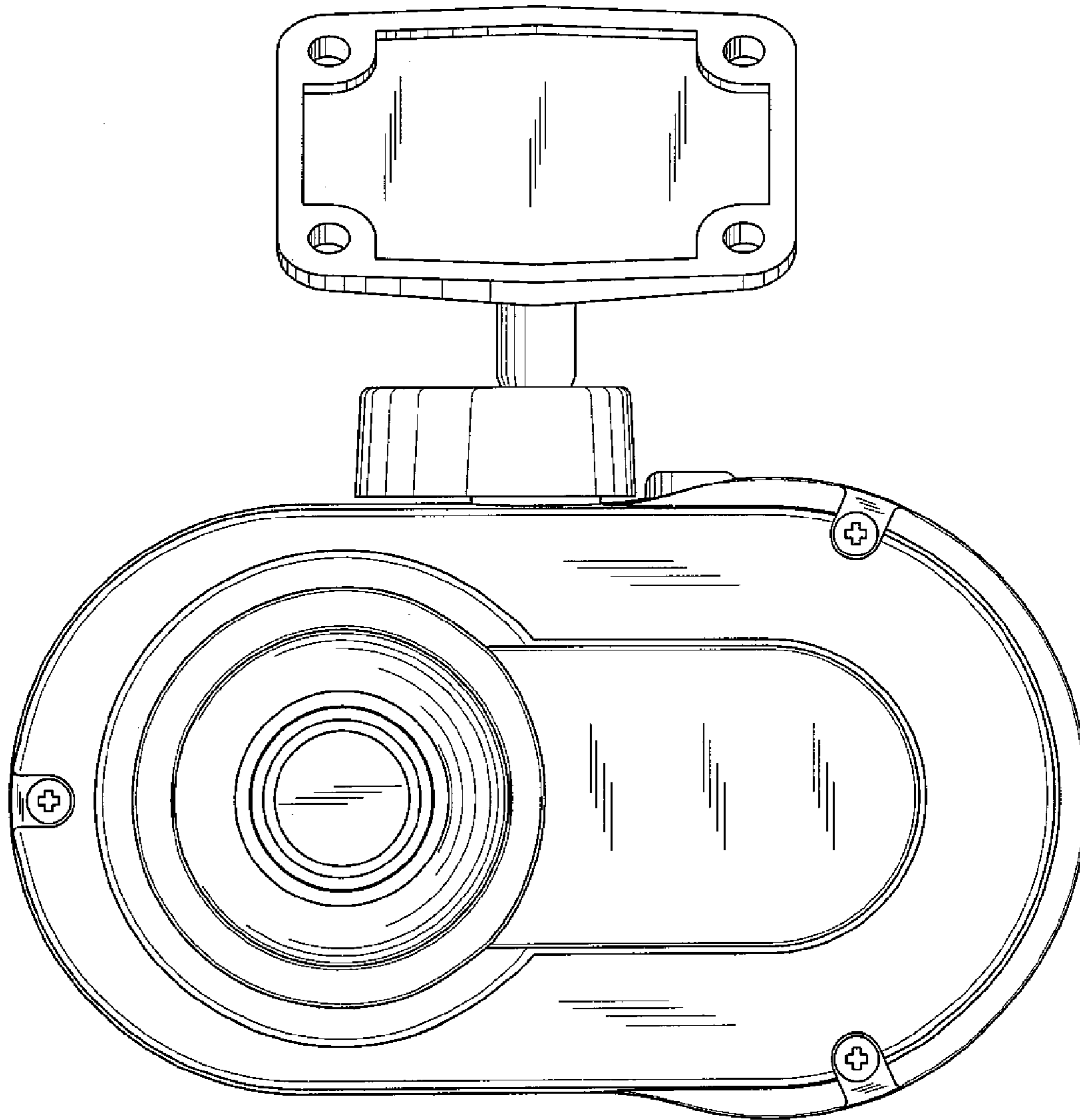


FIG. 3

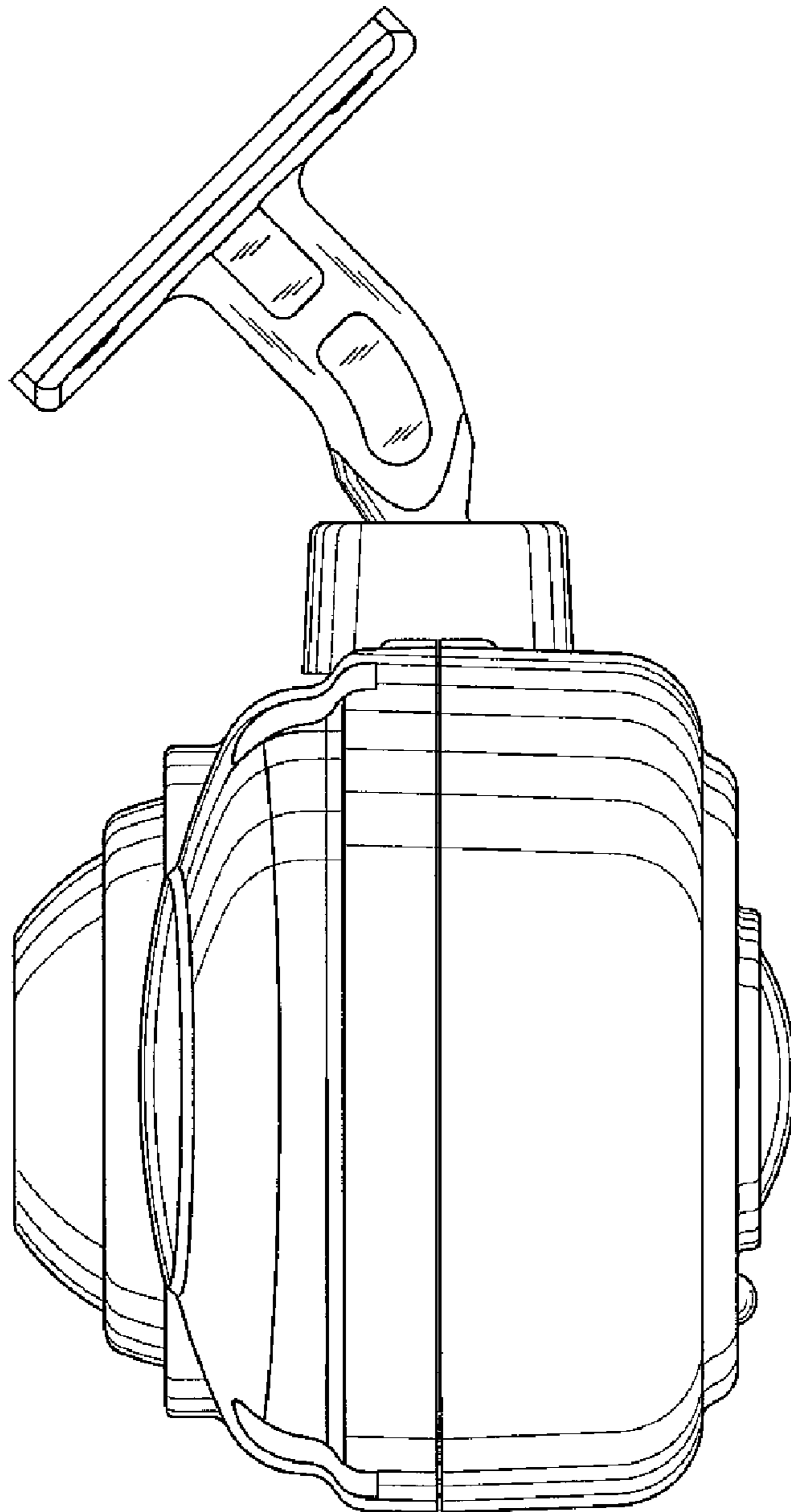


FIG. 4



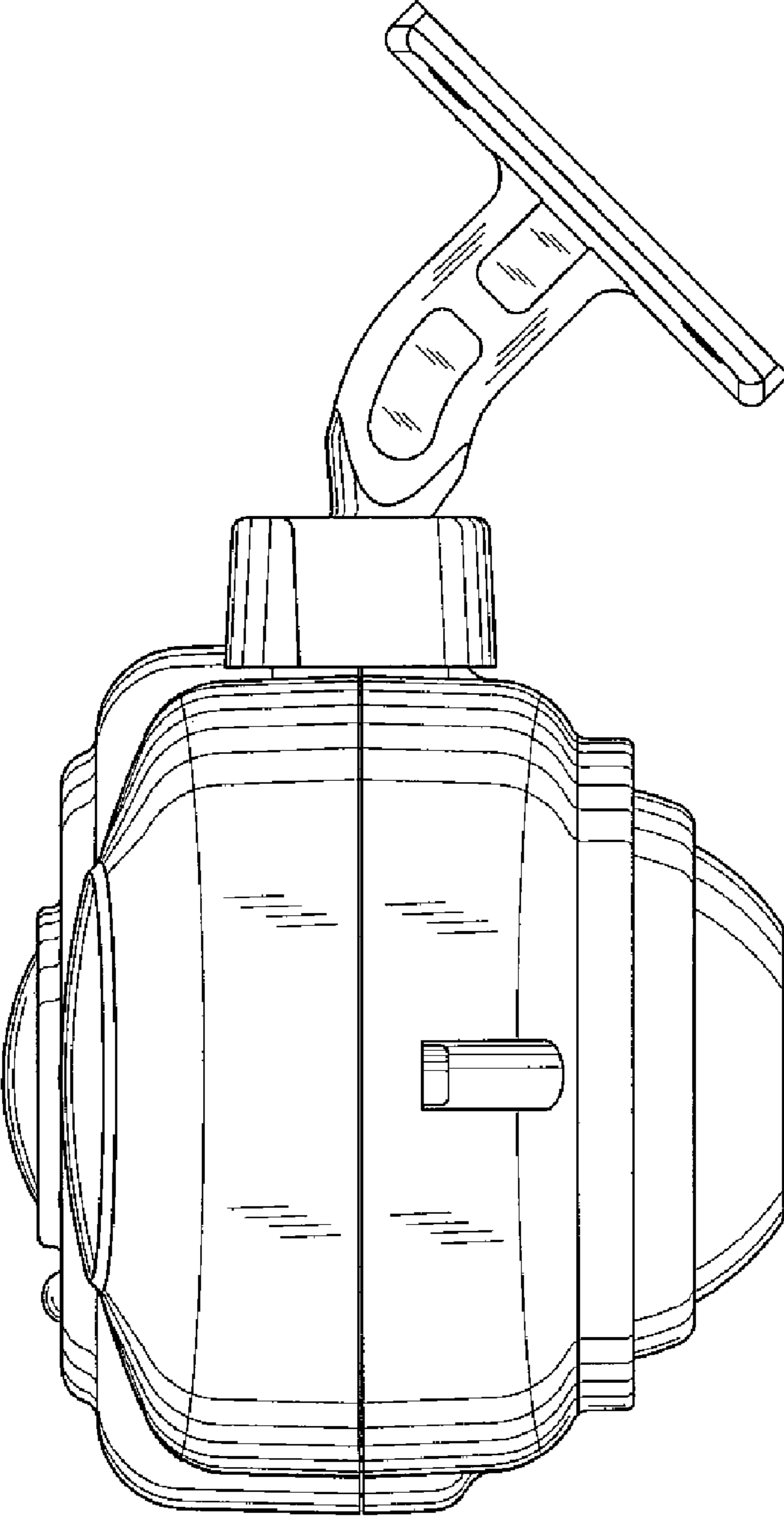


FIG. 5

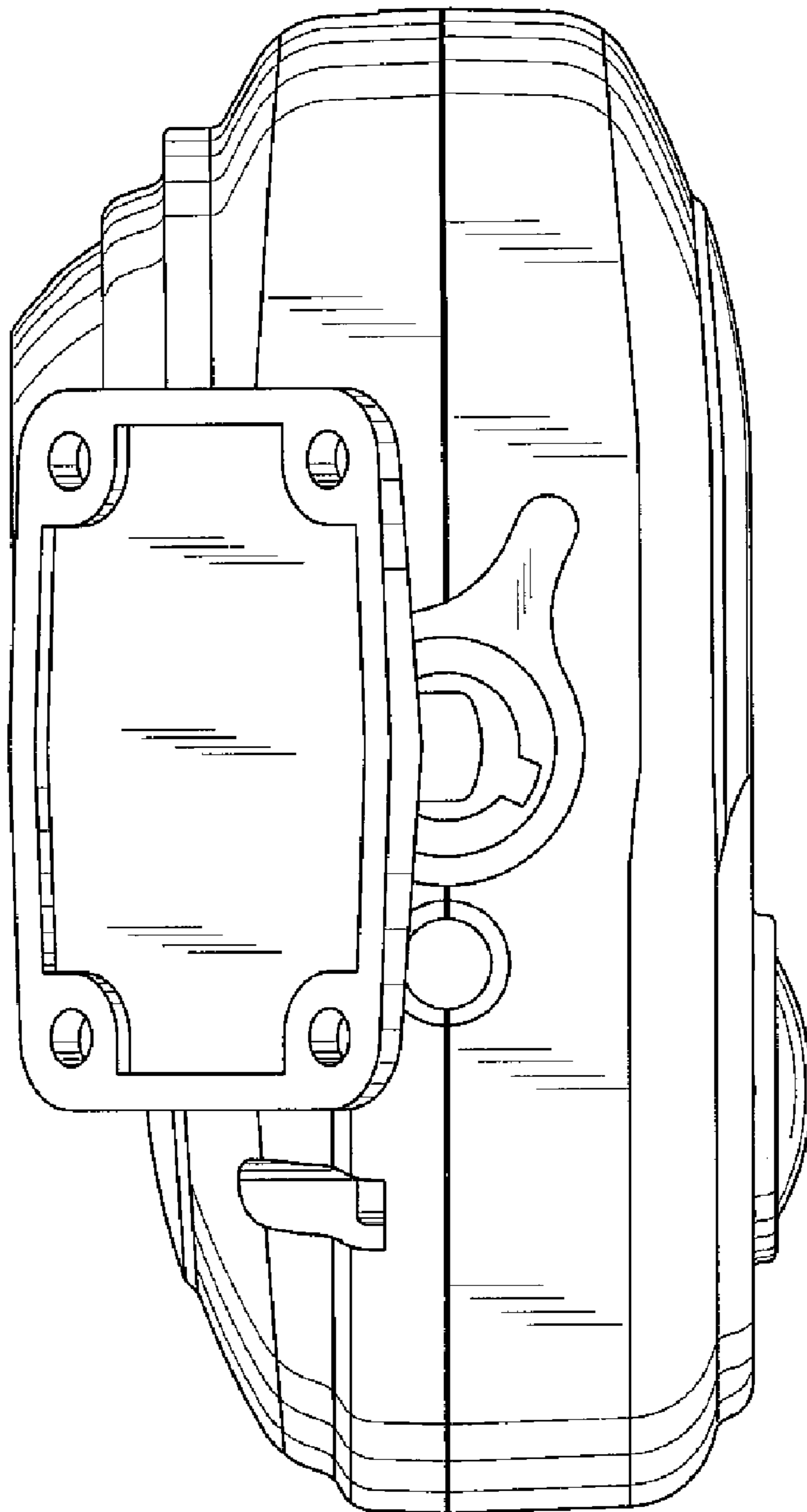


FIG. 6

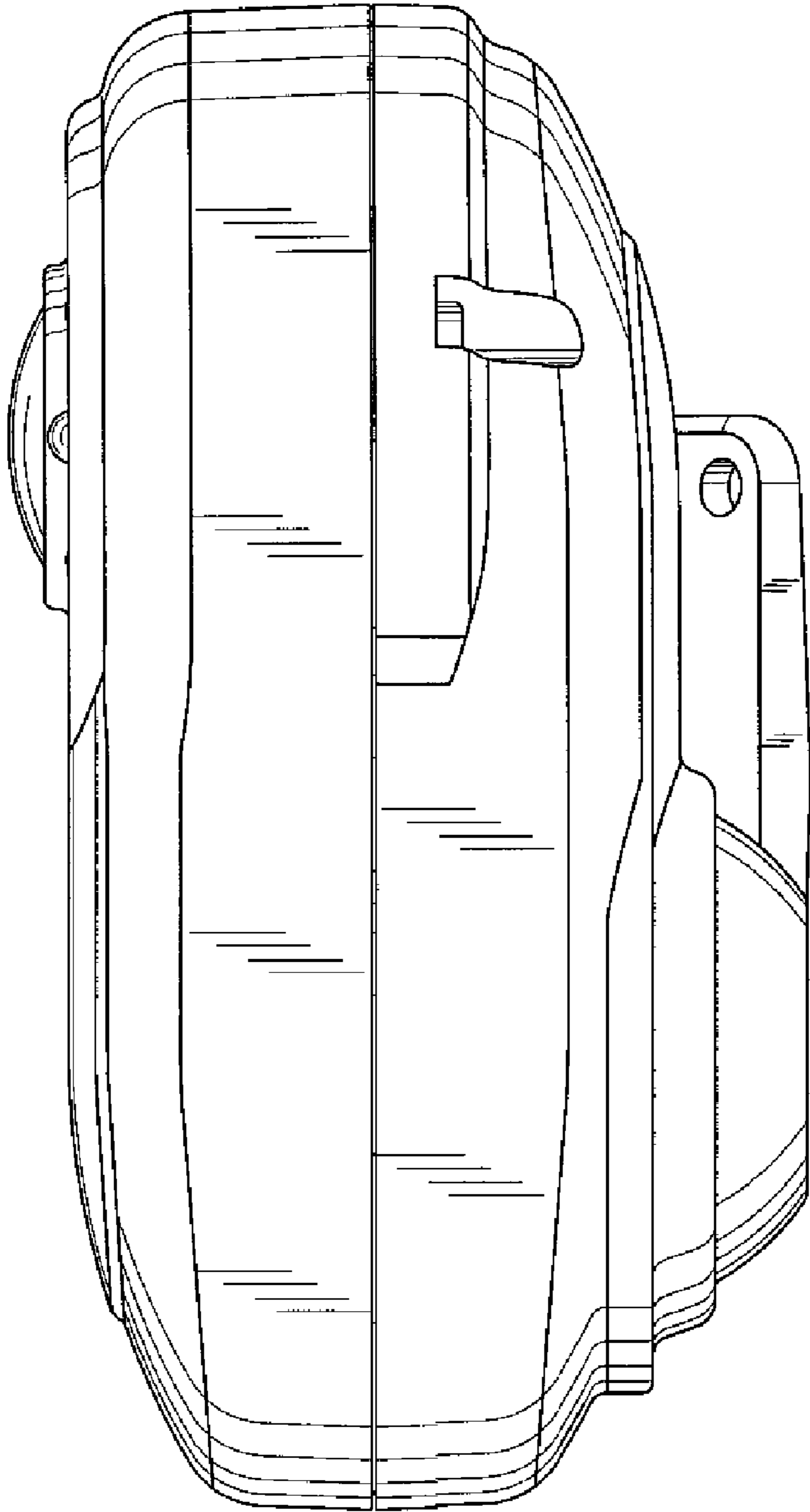


FIG. 7



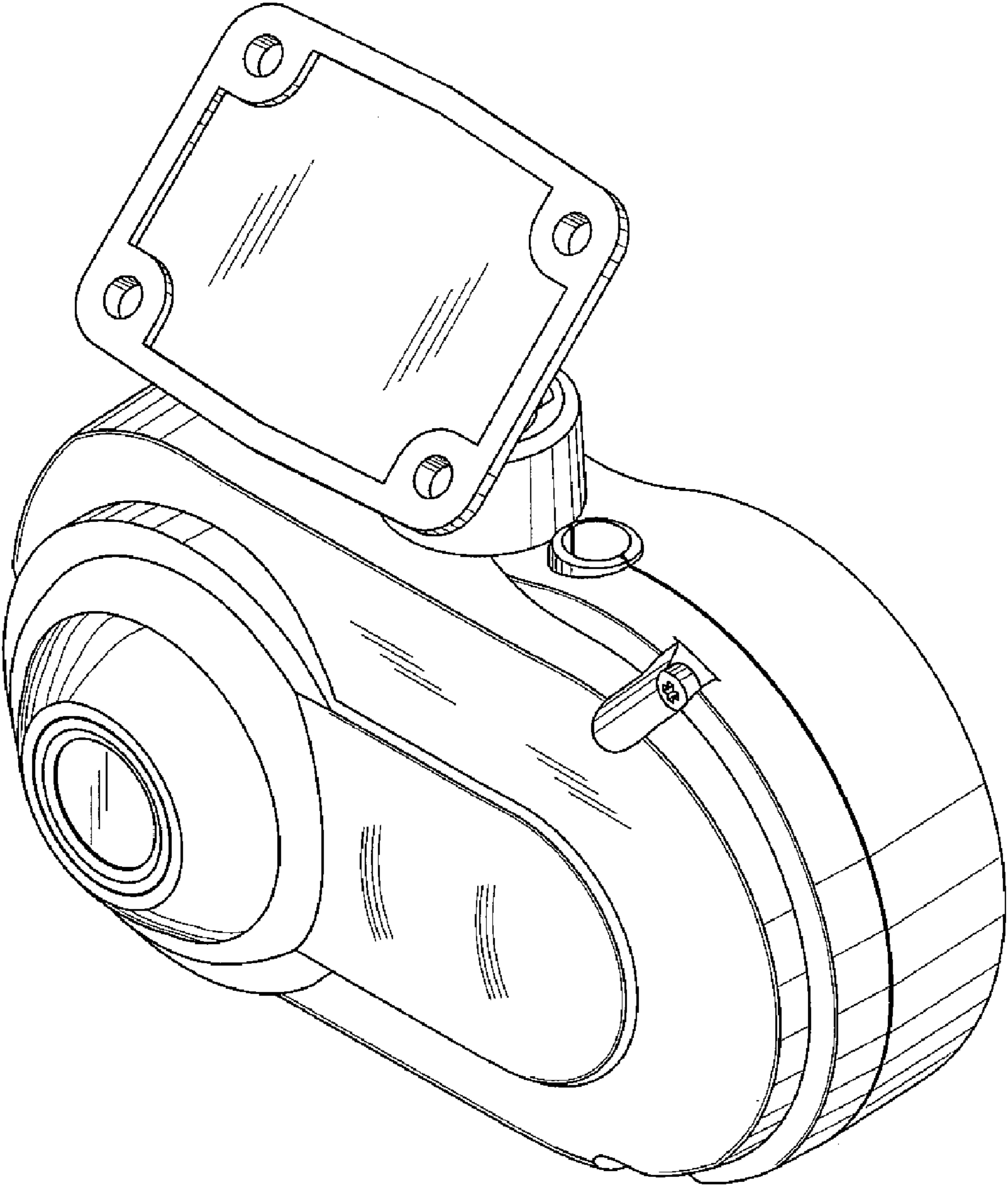


FIG. 8