



US00D610184S

(12) **United States Design Patent**
Pearson et al.

(10) **Patent No.:** **US D610,184 S**
(45) **Date of Patent:** **** Feb. 16, 2010**

(54) **SUBMERSIBLE CAMERA MASK**

(76) Inventors: **Kent D. Pearson**, 8549 Oakenshield Cir., Antelope, CA (US) 95843; **Melanie A. Pearson**, 8549 Oakenshield Cir., Antelope, CA (US) 95843

(**) Term: **14 Years**

(21) Appl. No.: **29/310,749**

(22) Filed: **Sep. 7, 2008**

(51) **LOC (9) Cl.** **16-01**

(52) **U.S. Cl.** **D16/204; D16/208; D16/309**

(58) **Field of Classification Search** D16/200–204,
D16/206, 218, 309; 348/81, 373, 376; 396/25–29,
396/535–541

See application file for complete search history.

(56) **References Cited**

U.S. PATENT DOCUMENTS

D201,050	S *	5/1965	Gleseking et al.	D16/309
3,892,234	A *	7/1975	Jones	128/201.27
D265,479	S *	7/1982	Yamazaki	D16/208
D287,021	S *	12/1986	Johnson	D16/208
6,977,671	B1 *	12/2005	Kitson et al.	348/81
2005/0237386	A1 *	10/2005	Sandos	348/81
2008/0192114	A1 *	8/2008	Pearson et al.	396/25

* cited by examiner

Primary Examiner—Adir Aronovich

(74) *Attorney, Agent, or Firm*—Robert M. Ashen, Esq.

(57) **CLAIM**

The ornamental design for a submersible camera mask, as shown and described.

DESCRIPTION

FIG. 1 is a front perspective view of a submersible camera mask showing our present invention;

FIG. 2 is a top plan view of the submersible camera mask of FIG. 1.

FIG. 3 is a front elevational view of the submersible camera mask of FIG. 1.

FIG. 4 is a bottom plan view of the submersible camera mask of FIG. 1.

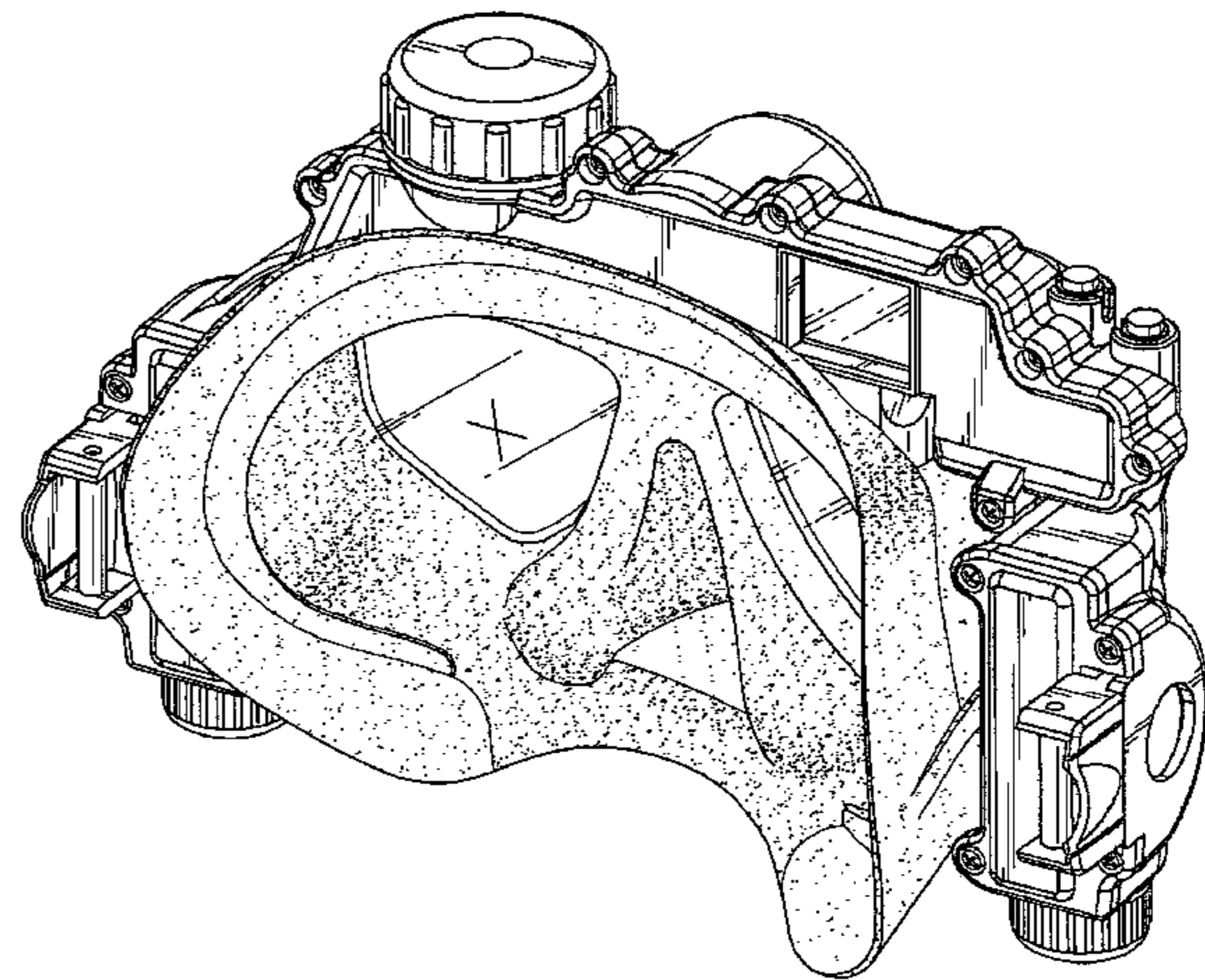
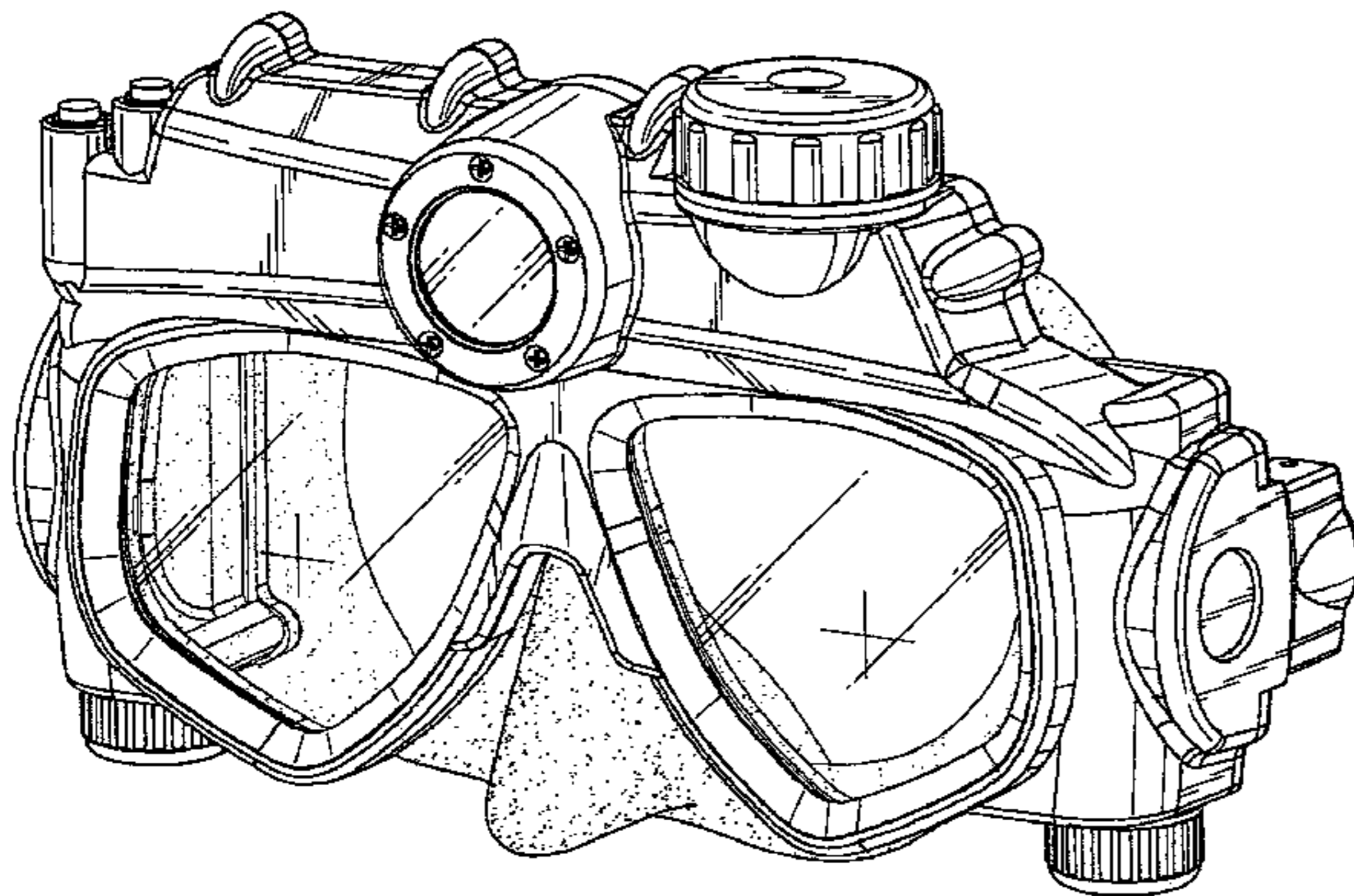
FIG. 5 is a left side elevational view of the submersible camera mask of FIG. 1.

FIG. 6 is a right side elevational view of the submersible camera mask of FIG. 1.

FIG. 7 is a rear elevational view of the submersible camera mask of FIG. 1; and,

FIG. 8 is a top and rear perspective view of the submersible camera mask of FIG. 1.

1 Claim, 5 Drawing Sheets



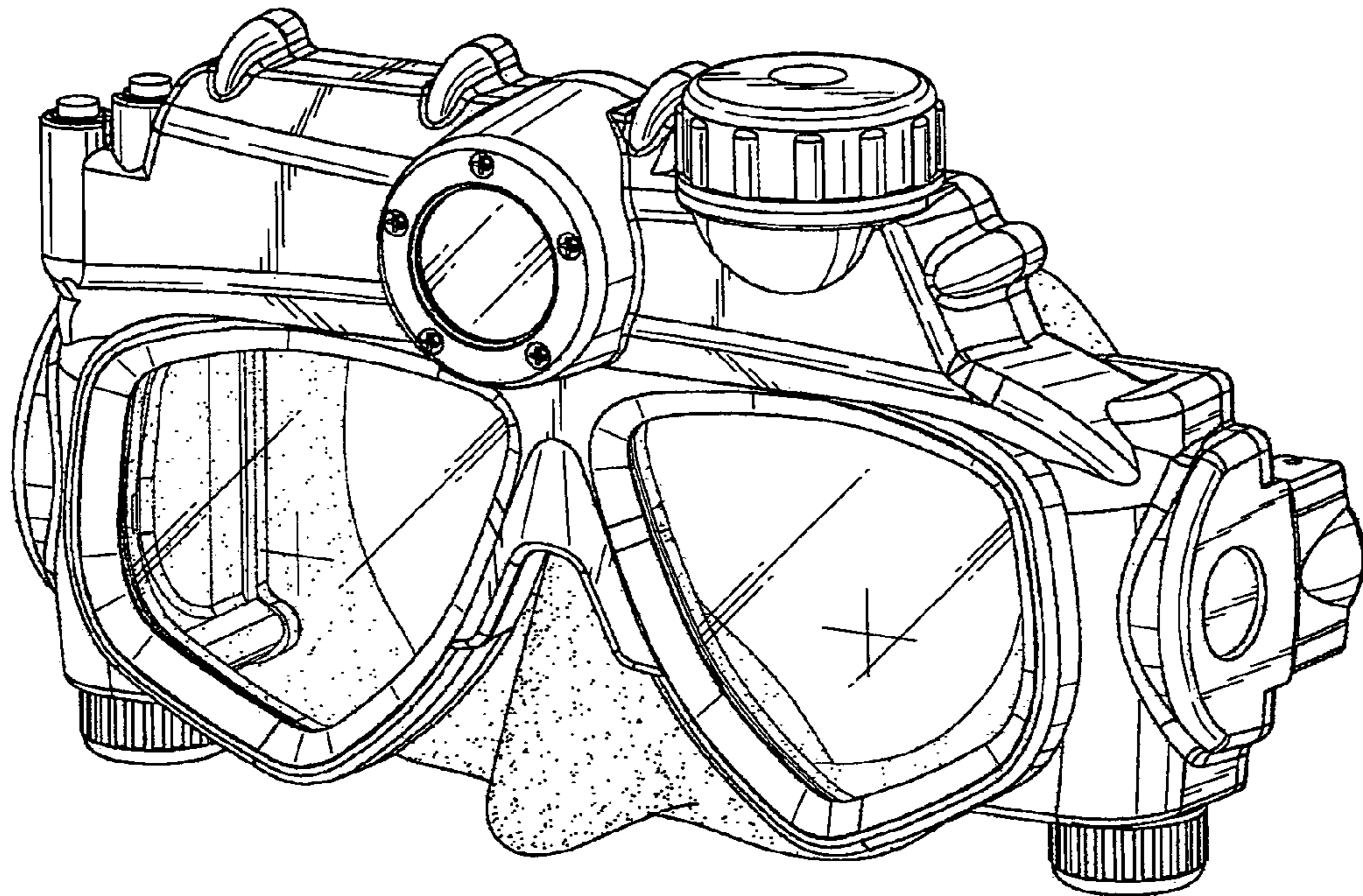


FIG. 1

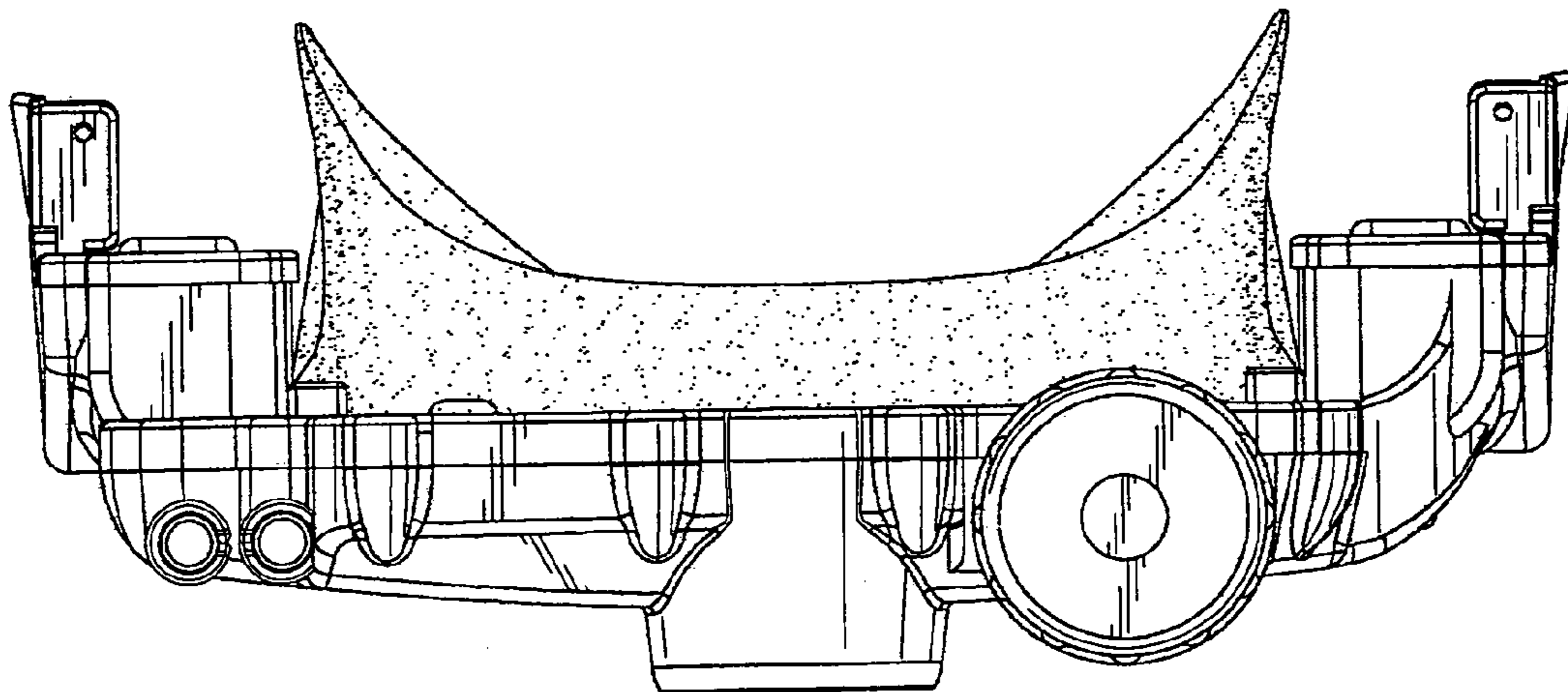


FIG. 2

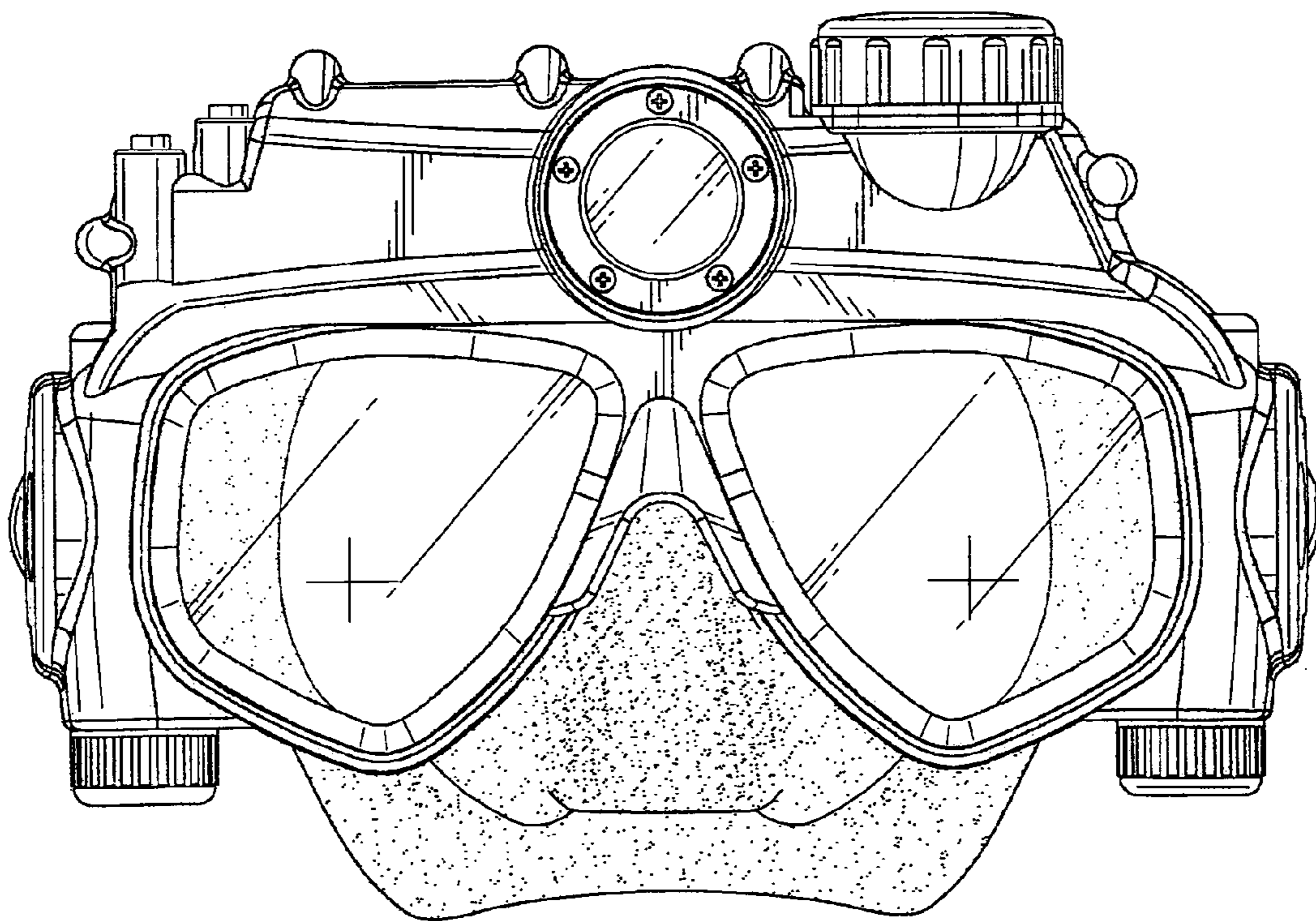


FIG. 3

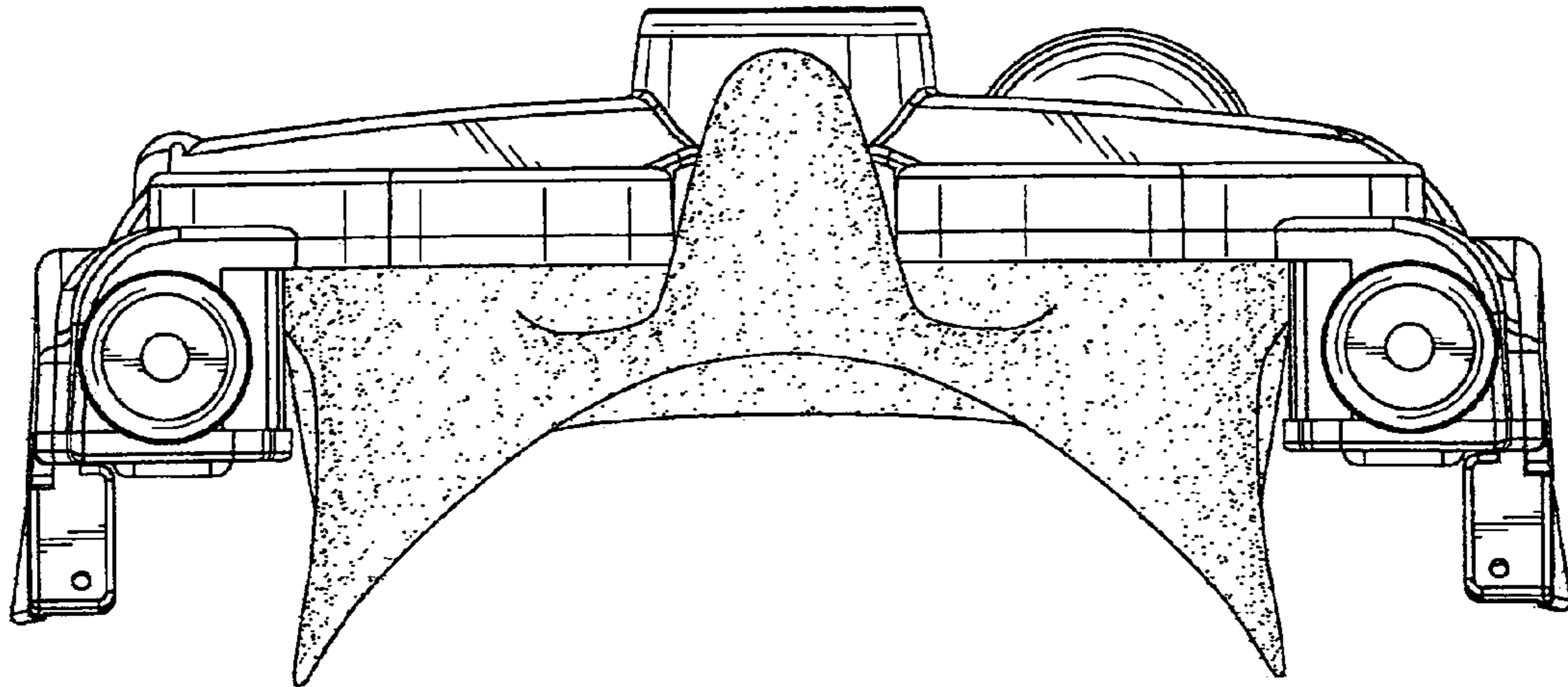


FIG. 4

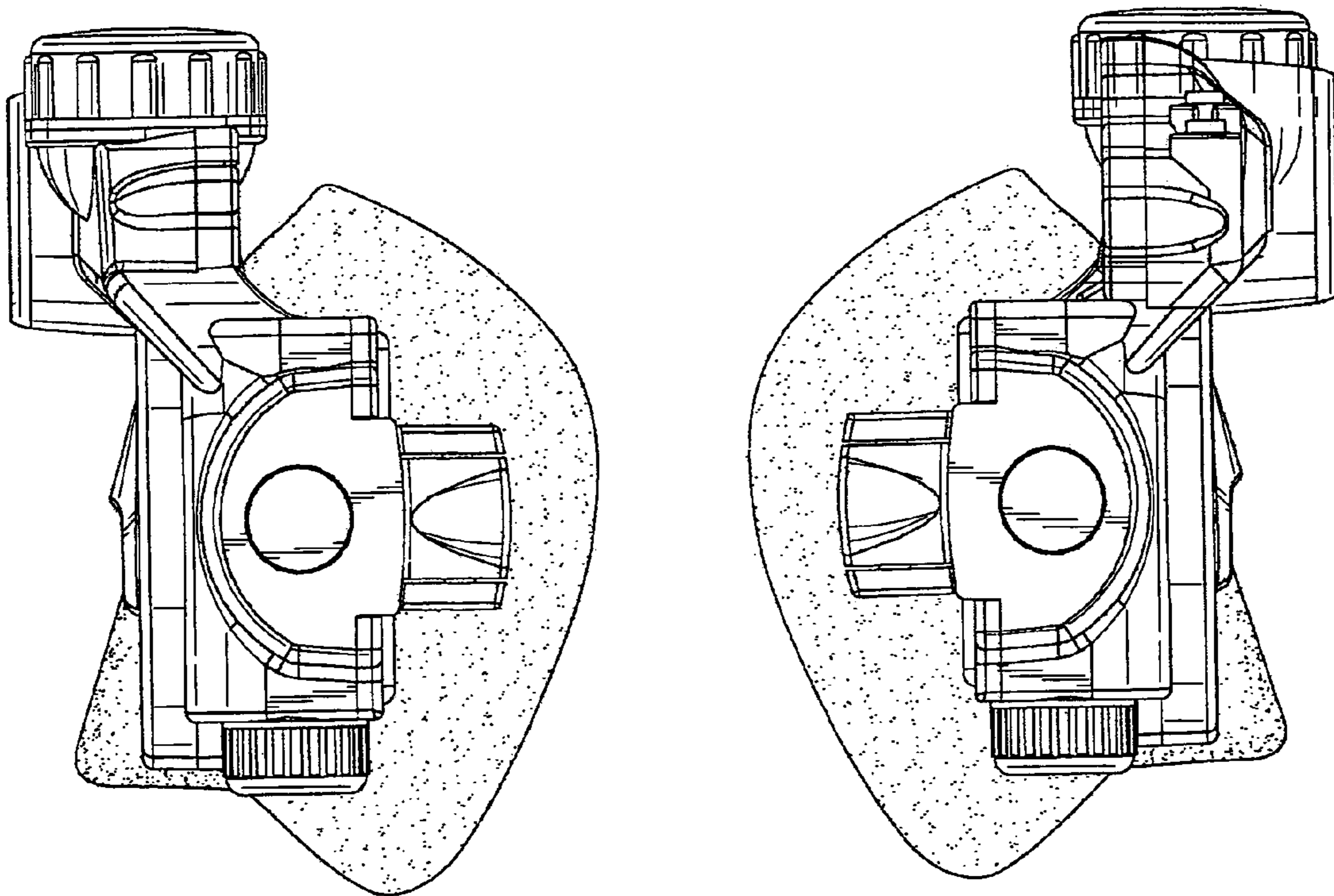


FIG. 5

FIG. 6

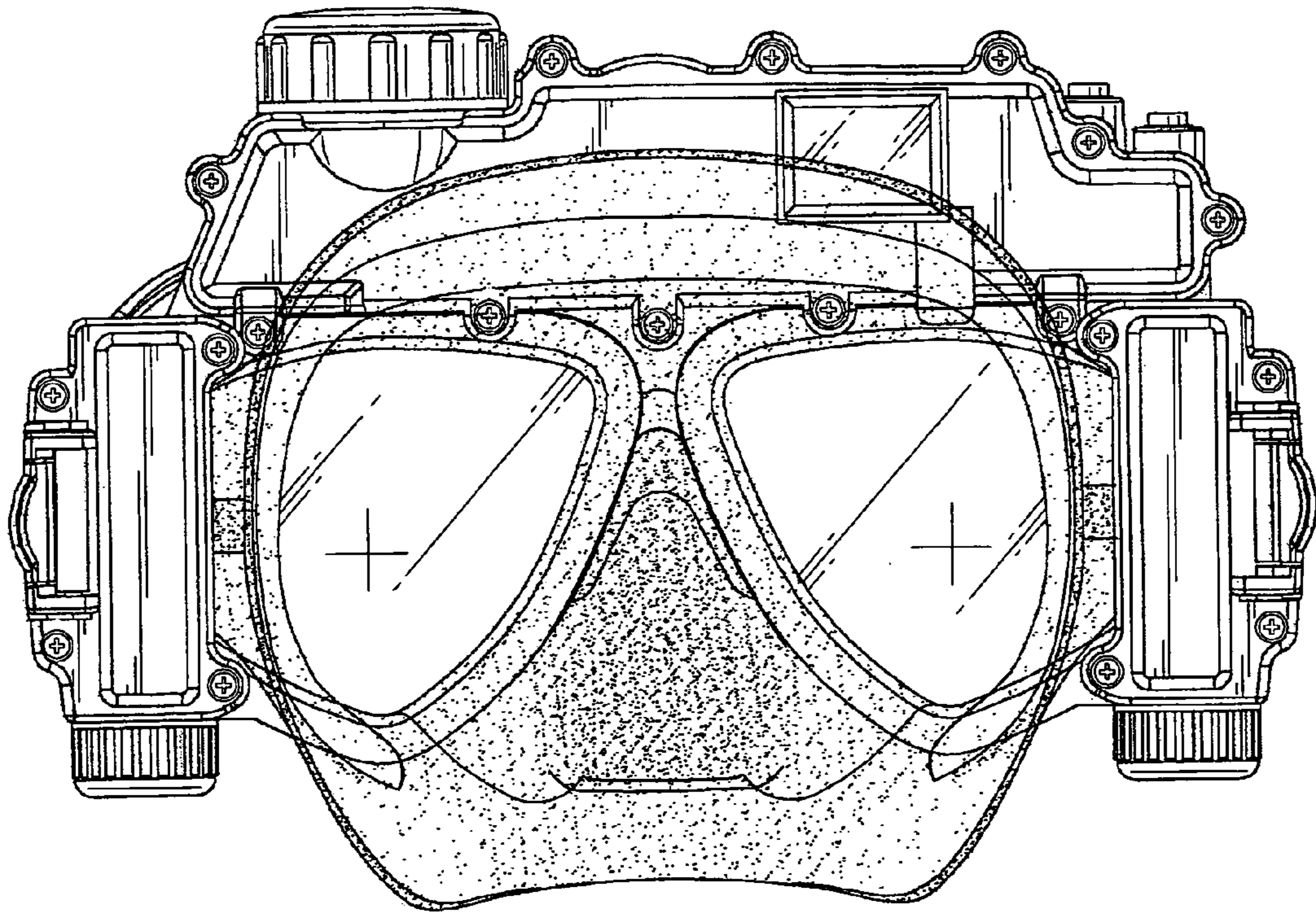


FIG. 7

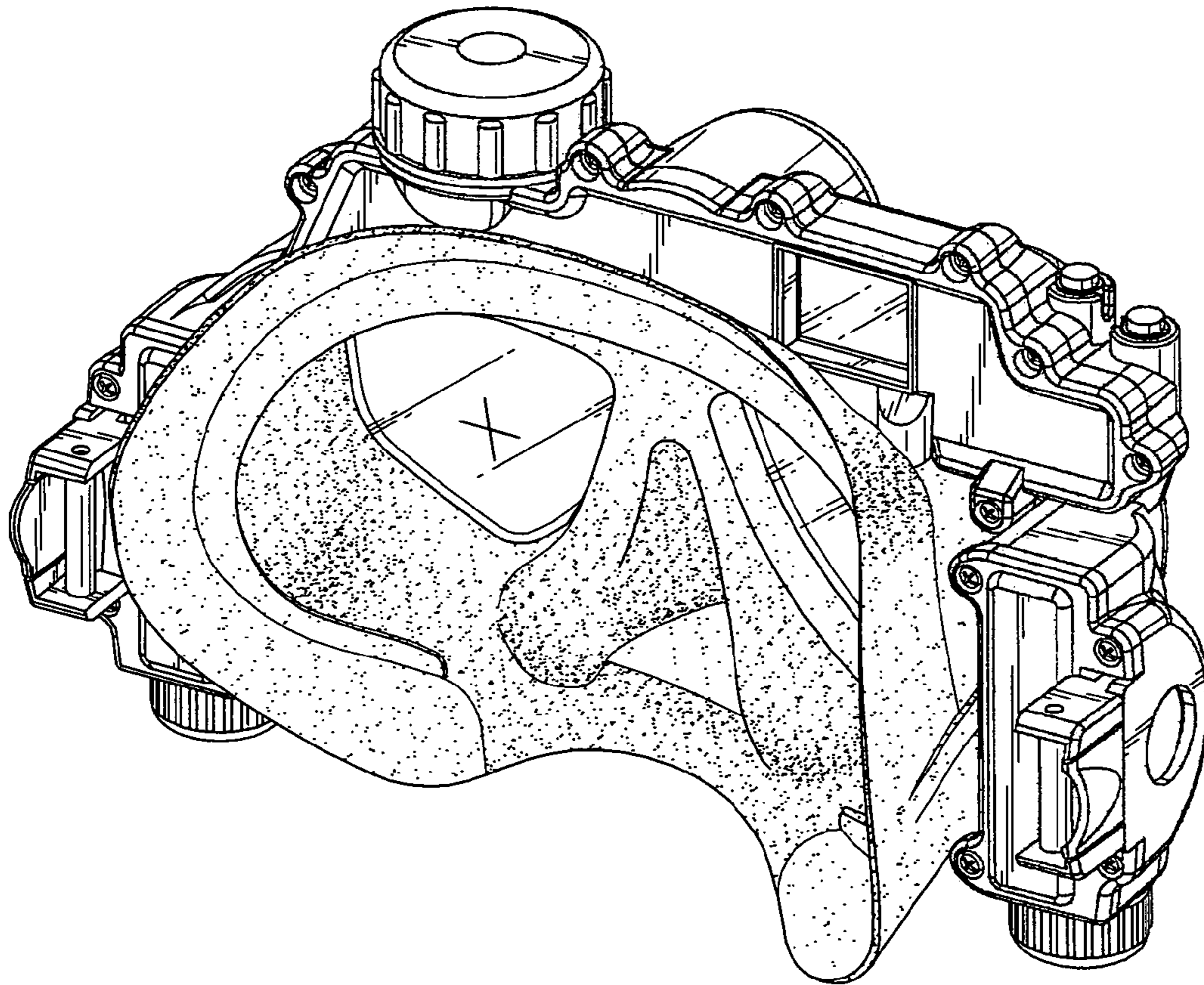


Fig. 8