



US00D610181S

(12) **United States Design Patent**
Nohara

(10) **Patent No.:** **US D610,181 S**
(45) **Date of Patent:** **** Feb. 16, 2010**

(54) **DIGITAL CAMERA**

(75) Inventor: **Takeshi Nohara**, Hachioji (JP)

(73) Assignee: **Olympus Imaging Corp.**, Tokyo (JP)

(**) Term: **14 Years**

(21) Appl. No.: **29/332,287**

(22) Filed: **Feb. 12, 2009**

(30) **Foreign Application Priority Data**

Dec. 26, 2008 (JP) 2008-033275

(51) **LOC (9) Cl.** **16-01**

(52) **U.S. Cl.** **D16/202**

(58) **Field of Classification Search** D16/200-204,
D16/208, 218; 348/373-376; 358/909.1;
396/535-541

See application file for complete search history.

(56) **References Cited**

U.S. PATENT DOCUMENTS

D523,456 S * 6/2006 Chang D16/202
D547,345 S * 7/2007 Iida et al. D16/202
D560,704 S * 1/2008 Naito et al. D16/202

D568,355 S * 5/2008 Naito D16/202
D568,358 S * 5/2008 Shimobayashi D16/202
D576,190 S * 9/2008 Tainaka D16/202
D593,143 S * 5/2009 Kuroda D16/202
2007/0212062 A1 * 9/2007 Saiki et al. 396/535

* cited by examiner

Primary Examiner—Adir Aronovich

(74) *Attorney, Agent, or Firm*—Frishauf, Holtz, Goodman & Chick, P.C.

(57) **CLAIM**

The ornamental design for a digital camera, as shown.

DESCRIPTION

FIG. 1 is a front, top and right side perspective view of a digital camera showing my new design;

FIG. 2 is a front elevational view thereof;

FIG. 3 is a rear elevational view thereof;

FIG. 4 is a top plan view thereof;

FIG. 5 is a bottom plan view thereof;

FIG. 6 is a right side elevational view thereof; and,

FIG. 7 is a left side elevational view thereof.

1 Claim, 4 Drawing Sheets

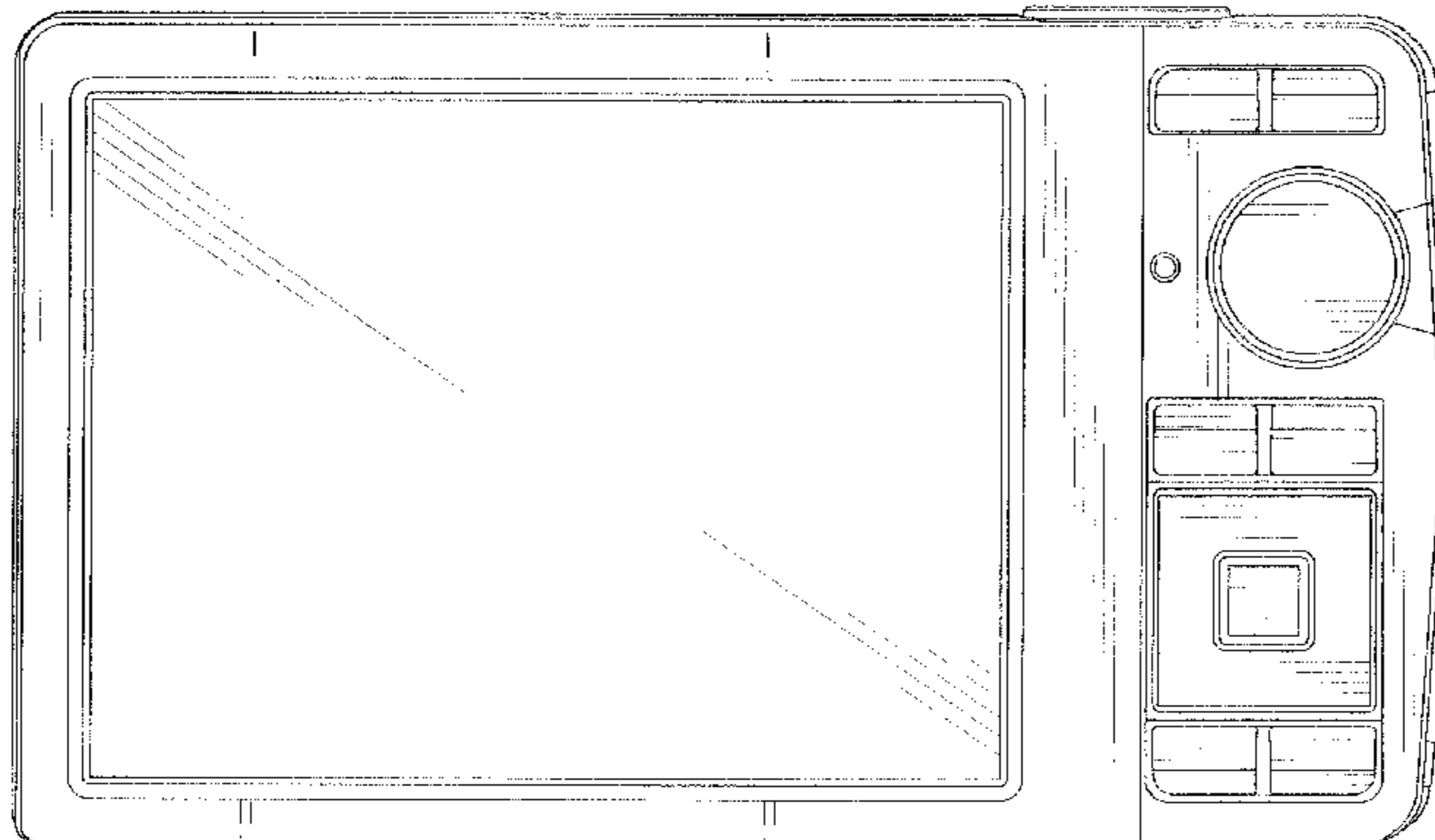
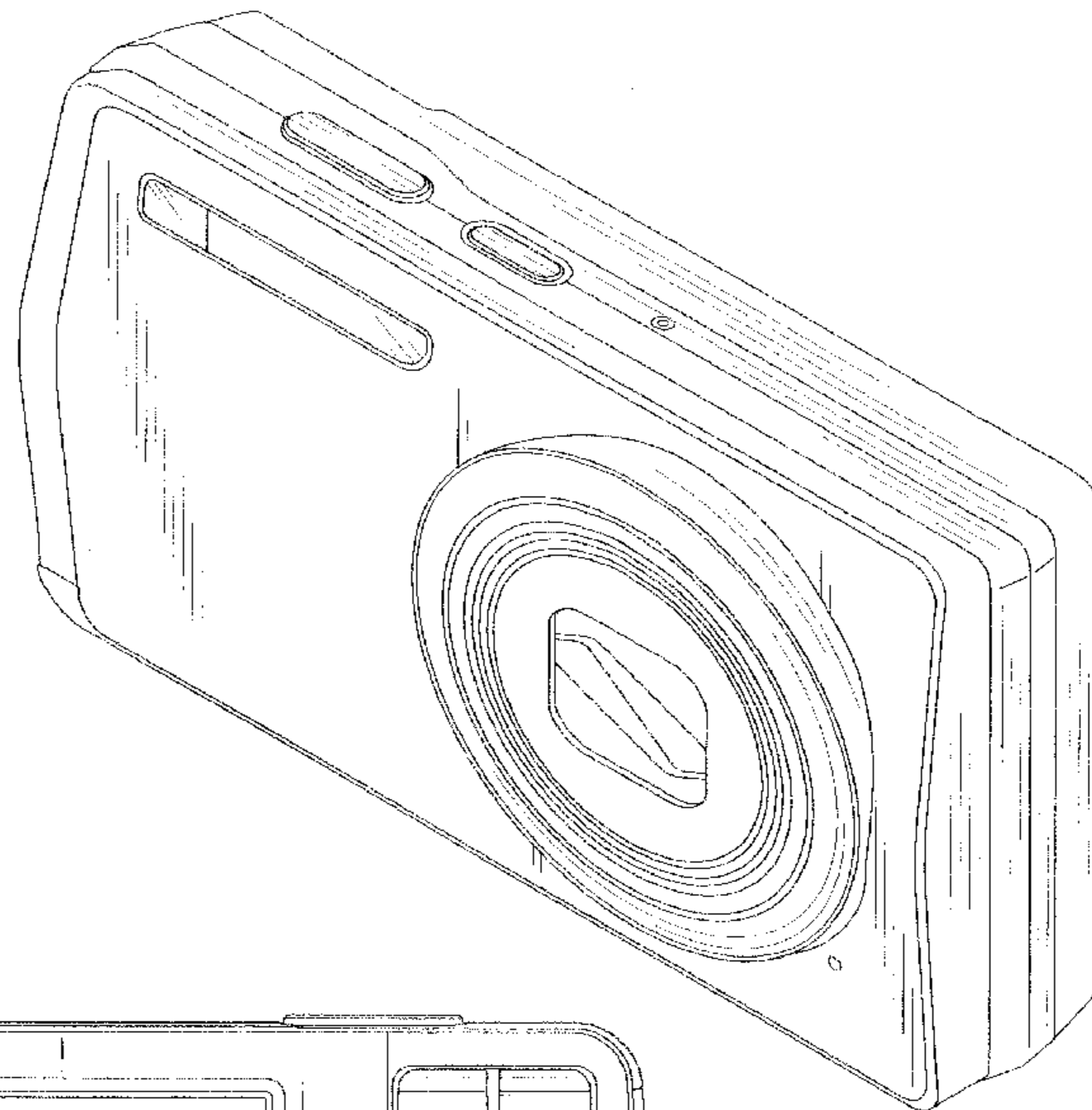


FIG. 1

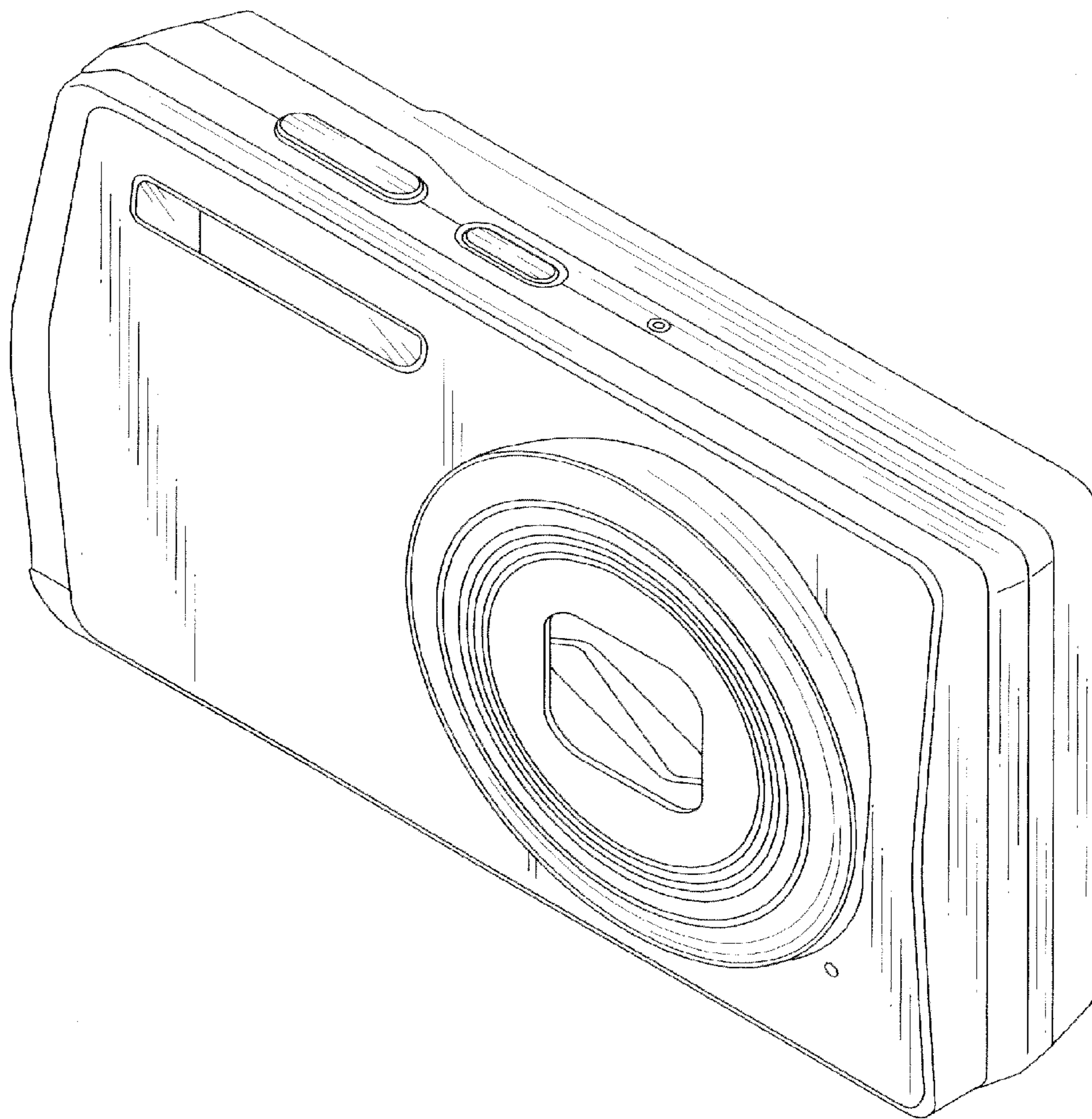


FIG.2

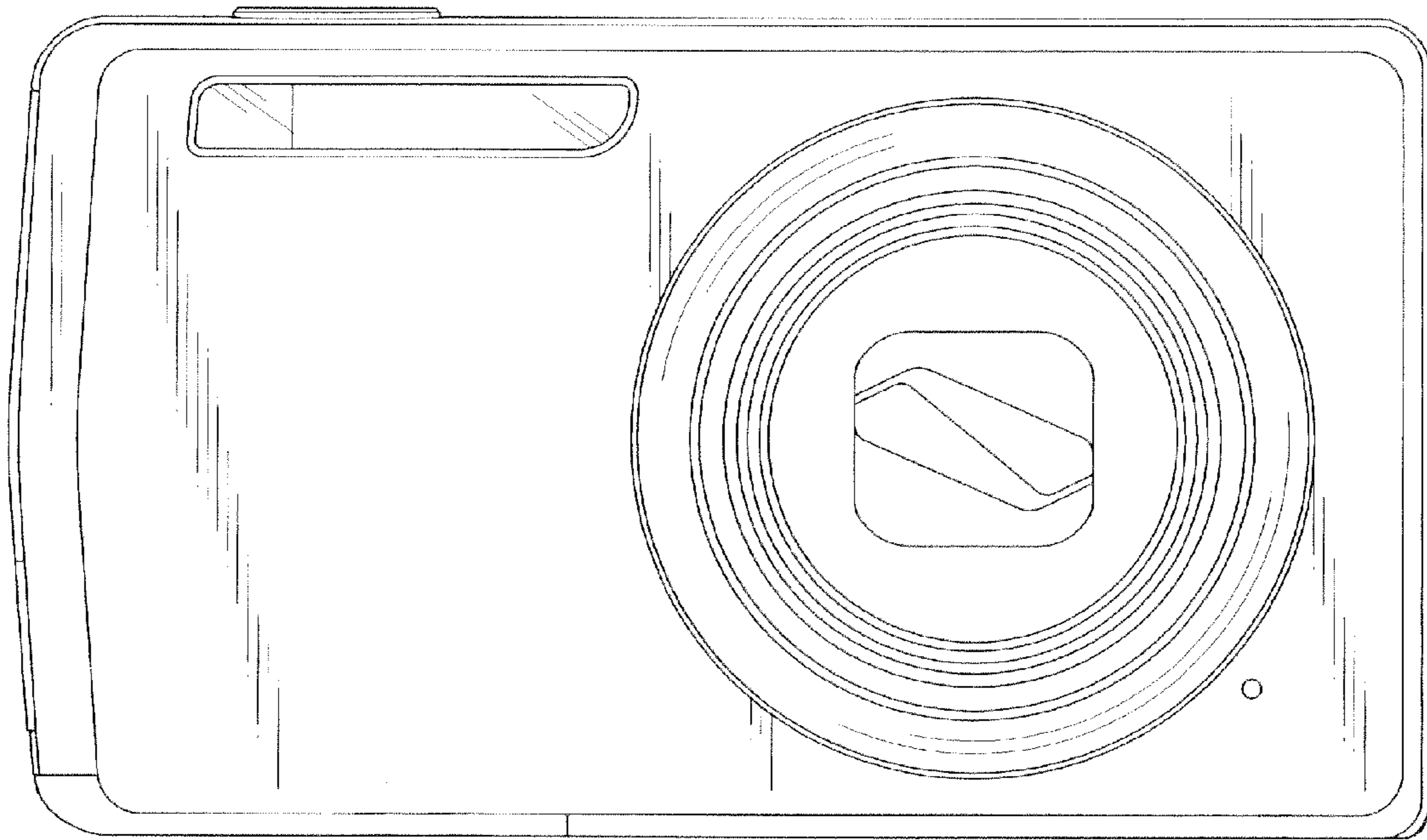


FIG.3

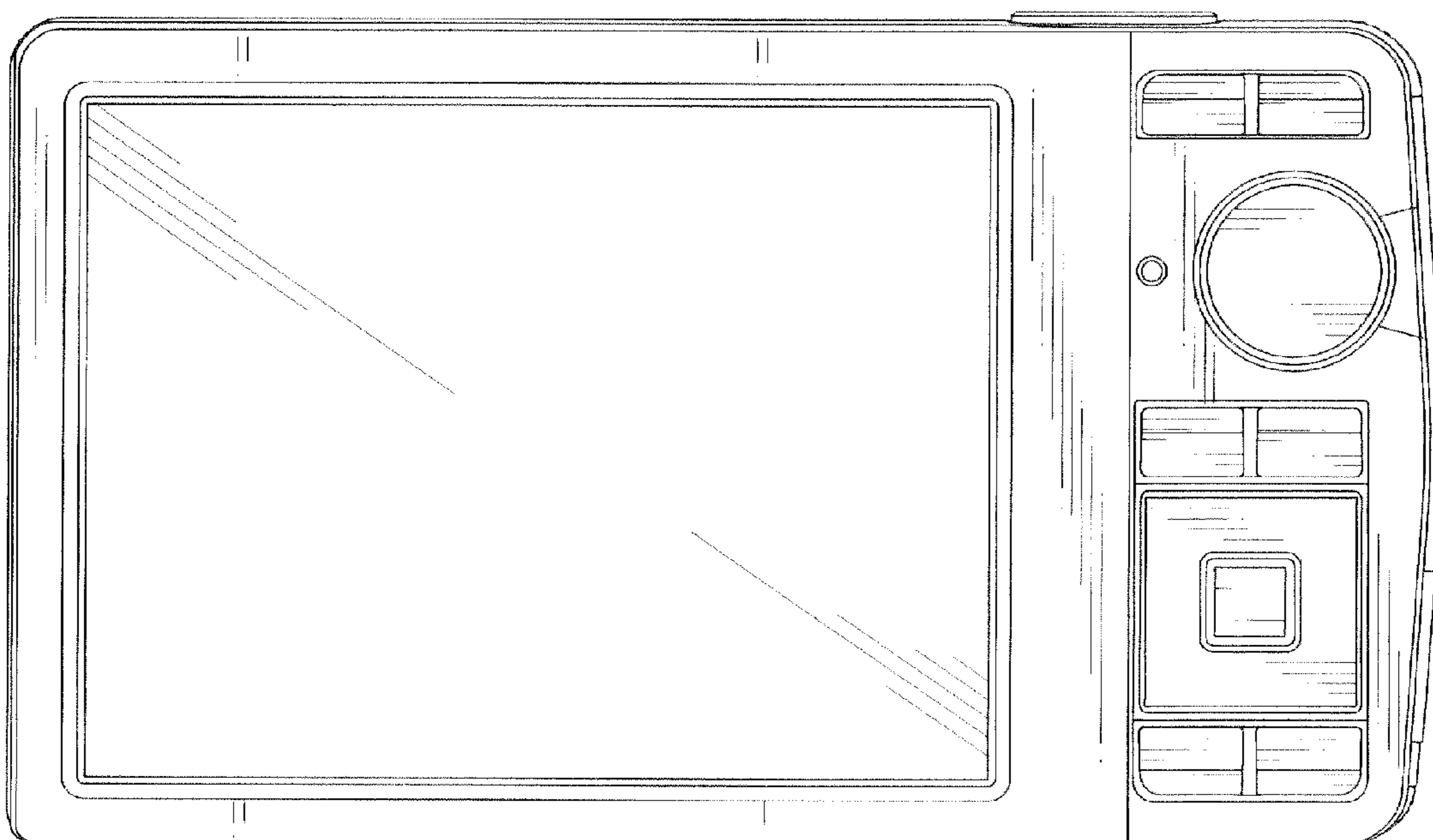


FIG.4

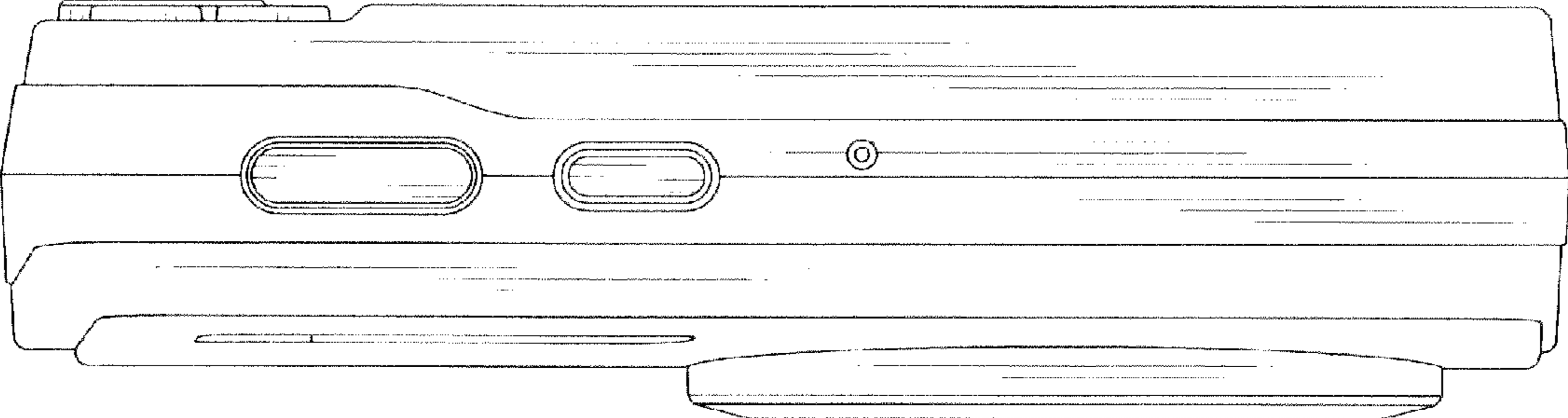


FIG.5

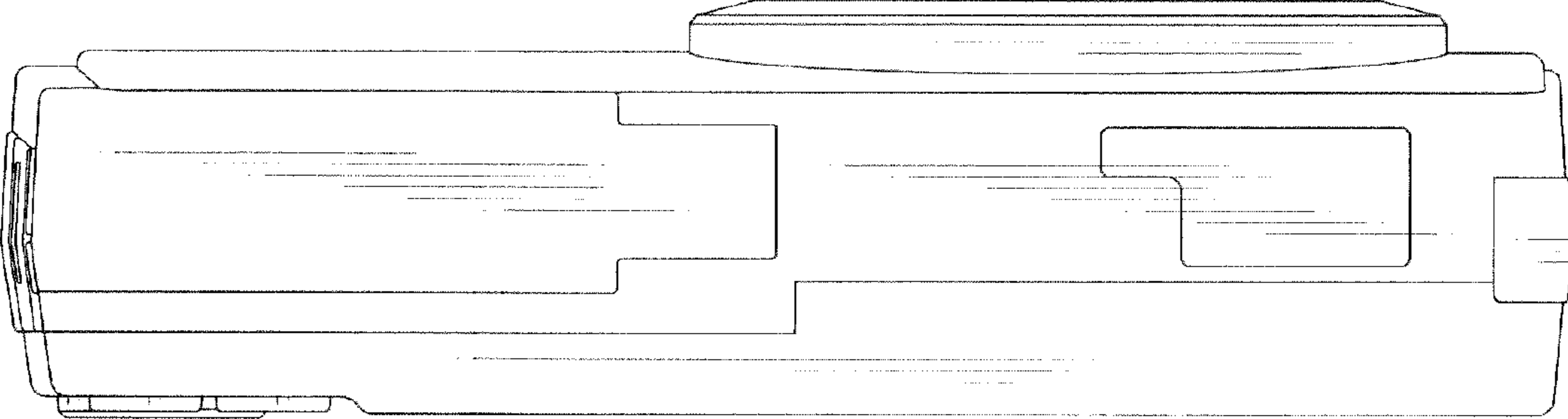


FIG.6

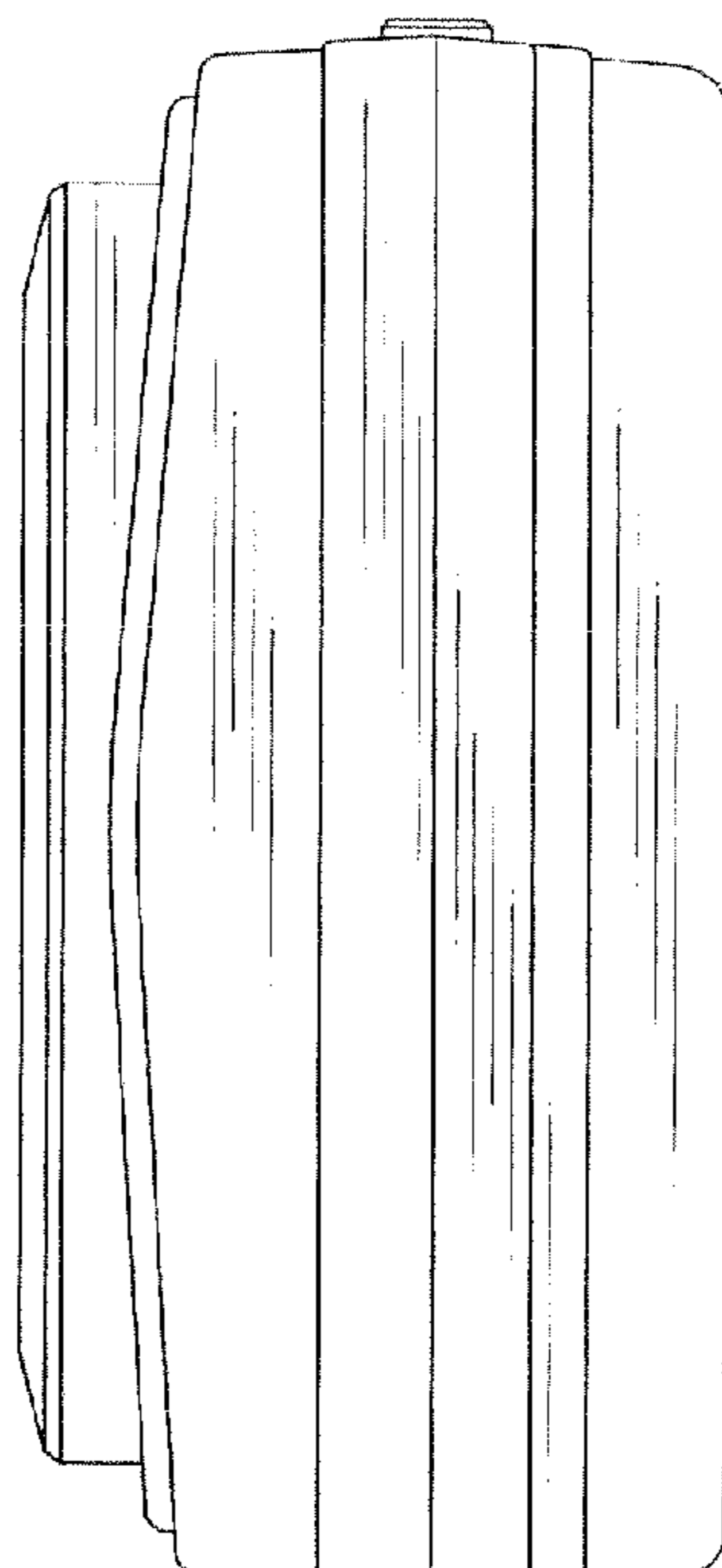


FIG.7

