



US00D610179S

(12) **United States Design Patent**  
**Tajima**

(10) **Patent No.:** **US D610,179 S**  
(45) **Date of Patent:** **\*\* Feb. 16, 2010**

(54) **DIGITAL CAMERA**

D573,623 S \* 7/2008 Nakajima ..... D16/202  
D585,083 S \* 1/2009 Nakajima ..... D16/202

(75) Inventor: **Kenji Tajima**, Hachioji (JP)

(73) Assignee: **Olympus Imaging Corp.**, Tokyo (JP)

(\*\*) Term: **14 Years**

(21) Appl. No.: **29/332,277**

(22) Filed: **Feb. 12, 2009**

(30) **Foreign Application Priority Data**

Dec. 26, 2008 (JP) ..... 2008-033272

(51) **LOC (9) Cl.** ..... **16-01**

(52) **U.S. Cl.** ..... **D16/202**

(58) **Field of Classification Search** ..... D16/200-204,  
D16/208, 218, 219; 348/373-376; 358/909.1;  
396/535-541

See application file for complete search history.

(56) **References Cited**

**U.S. PATENT DOCUMENTS**

D535,314 S \* 1/2007 Chang ..... D16/202  
D548,255 S \* 8/2007 Naito ..... D16/202  
D568,356 S \* 5/2008 Tainaka ..... D16/202  
D570,889 S \* 6/2008 Nakajima ..... D16/202

**OTHER PUBLICATIONS**

Related U.S. Appl. No. 29/332,281, filed Feb. 12, 2009.

\* cited by examiner

*Primary Examiner*—Adir Aronovich

(74) *Attorney, Agent, or Firm*—Frishauf, Holtz, Goodman & Chick, P.C.

(57) **CLAIM**

The ornamental design for a digital camera, as shown.

**DESCRIPTION**

FIG. 1 is a front, top and right side perspective view of a digital camera showing my new design;

FIG. 2 is a front elevational view thereof;

FIG. 3 is a rear elevational view thereof;

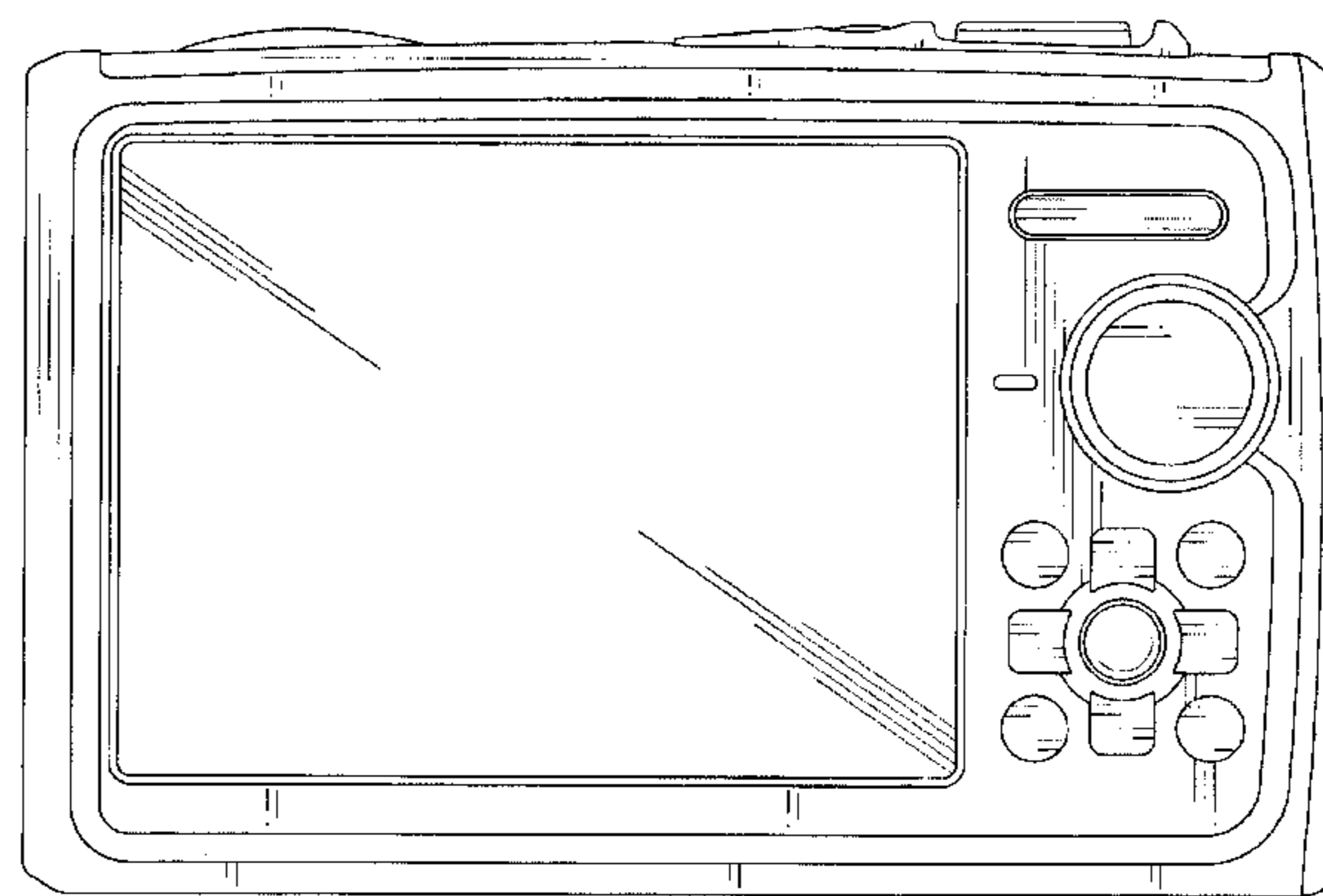
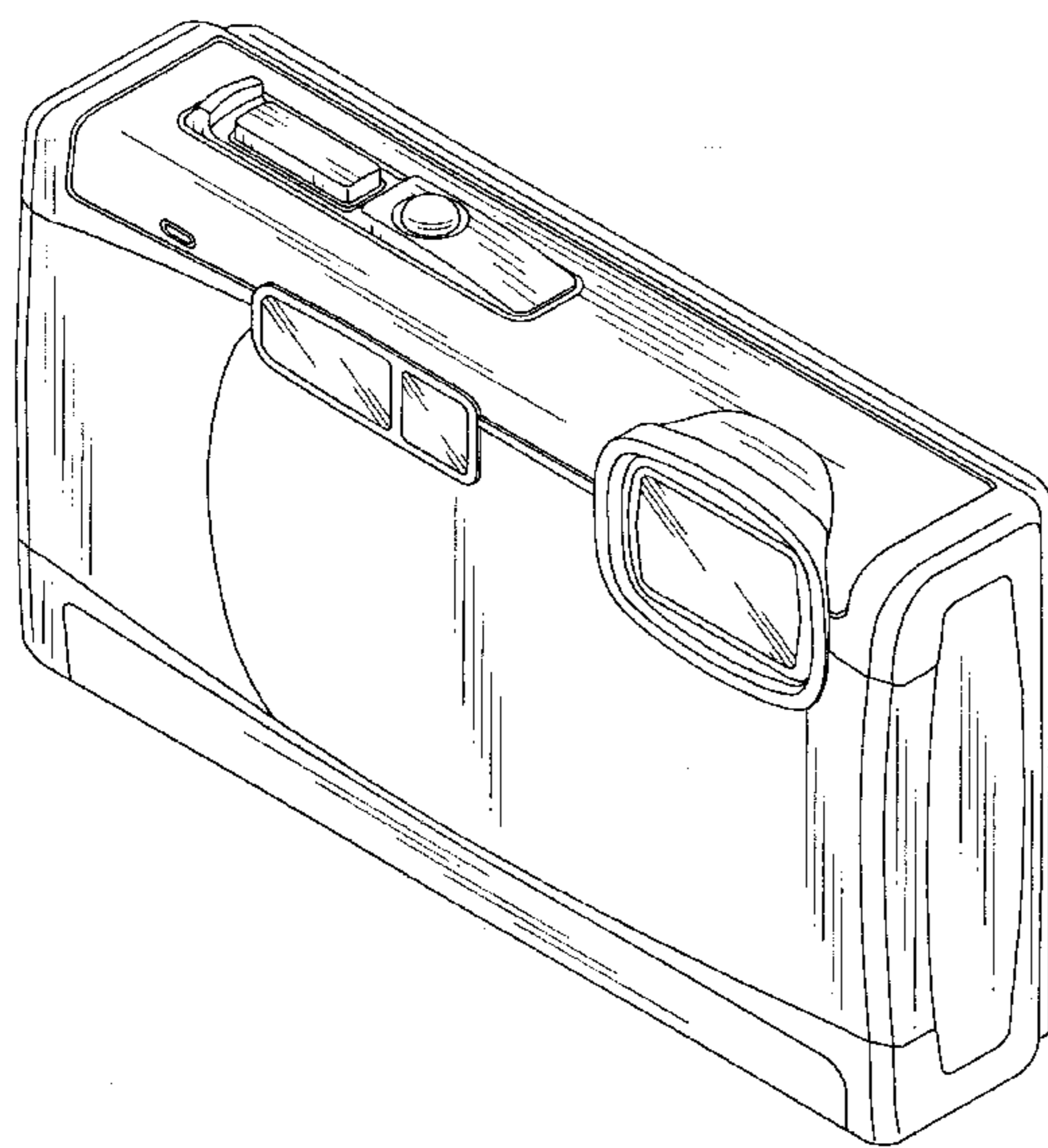
FIG. 4 is a top plan view thereof;

FIG. 5 is a bottom plan view thereof;

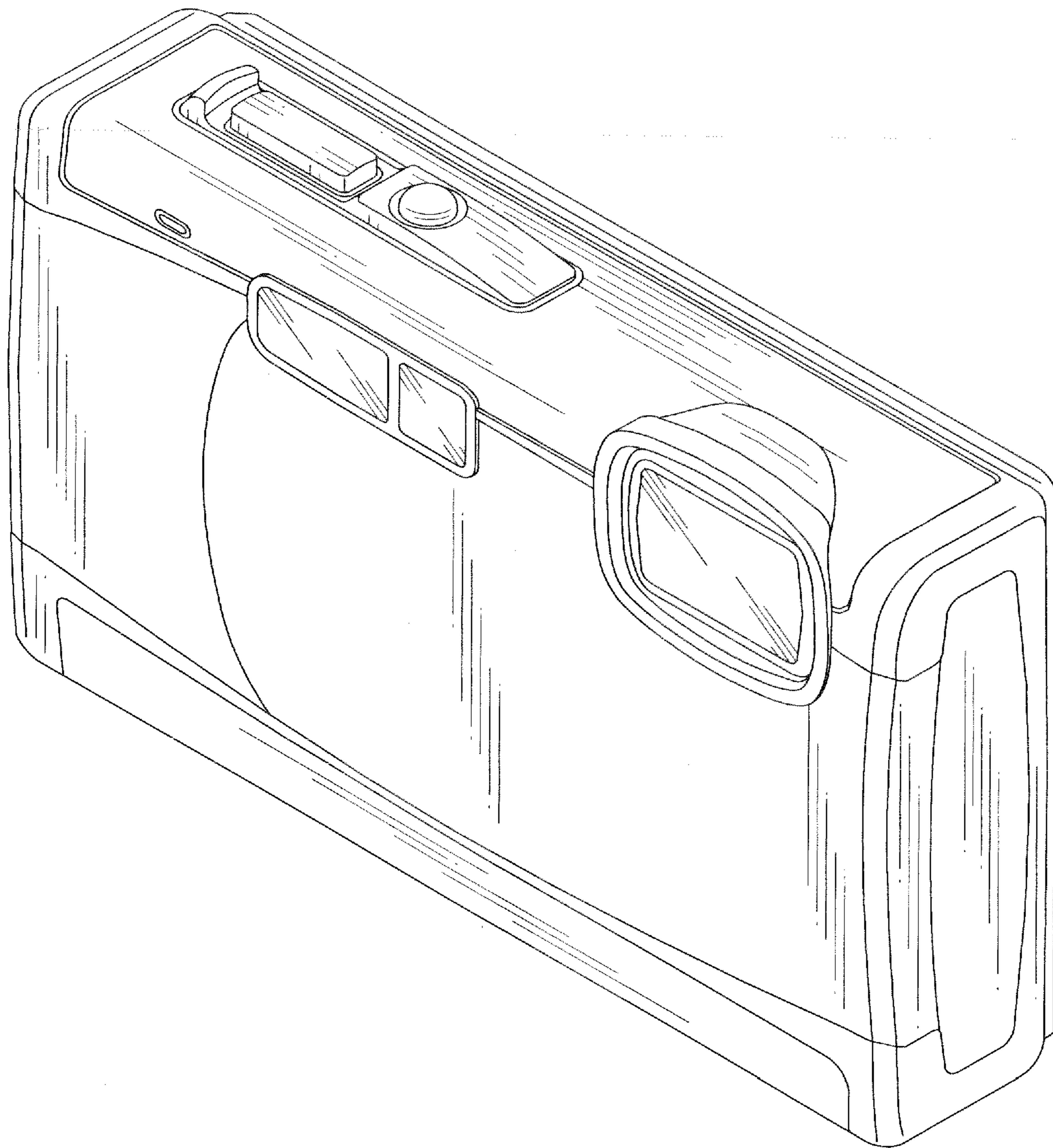
FIG. 6 is a right side elevational view thereof; and,

FIG. 7 is a left side elevational view thereof.

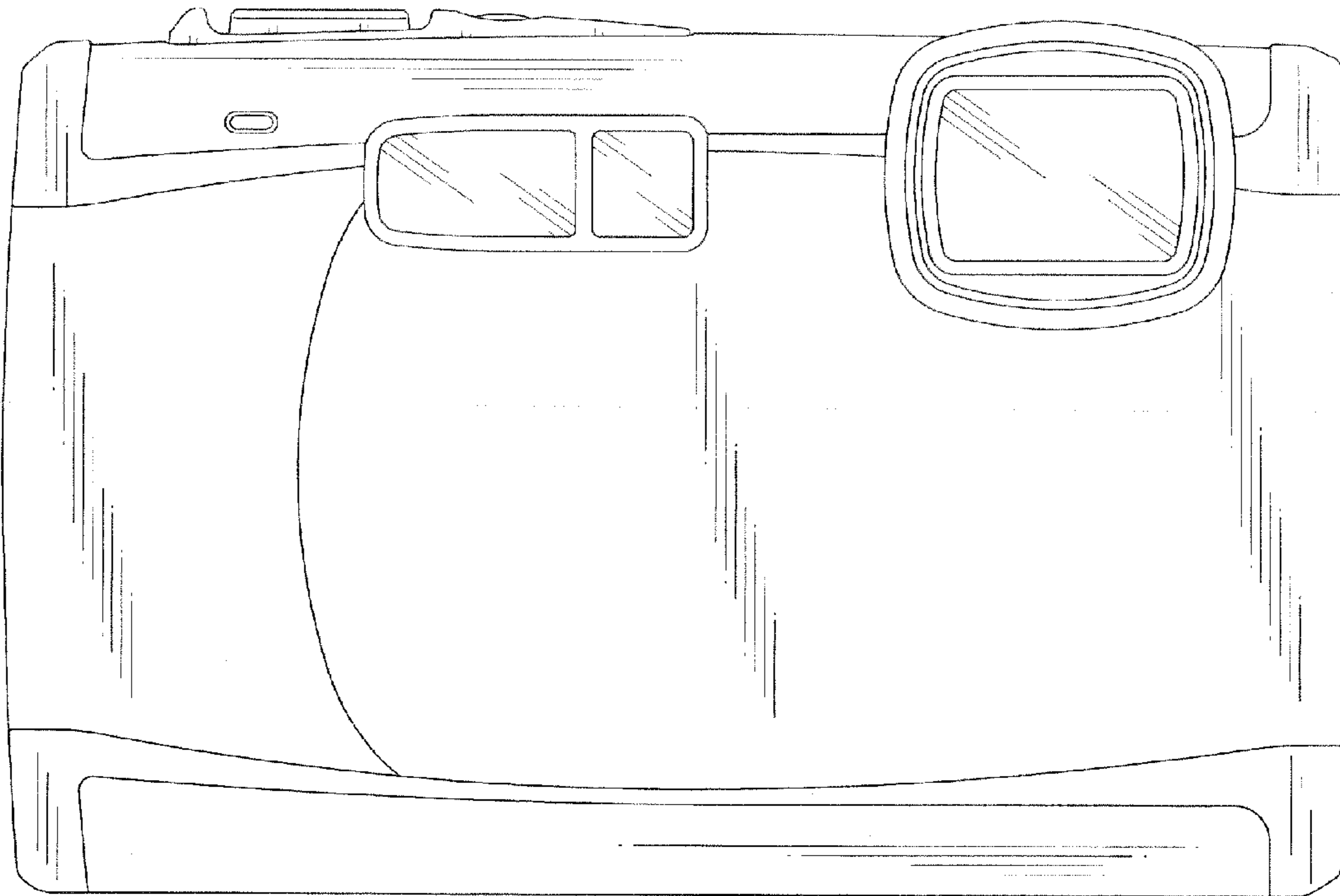
**1 Claim, 4 Drawing Sheets**



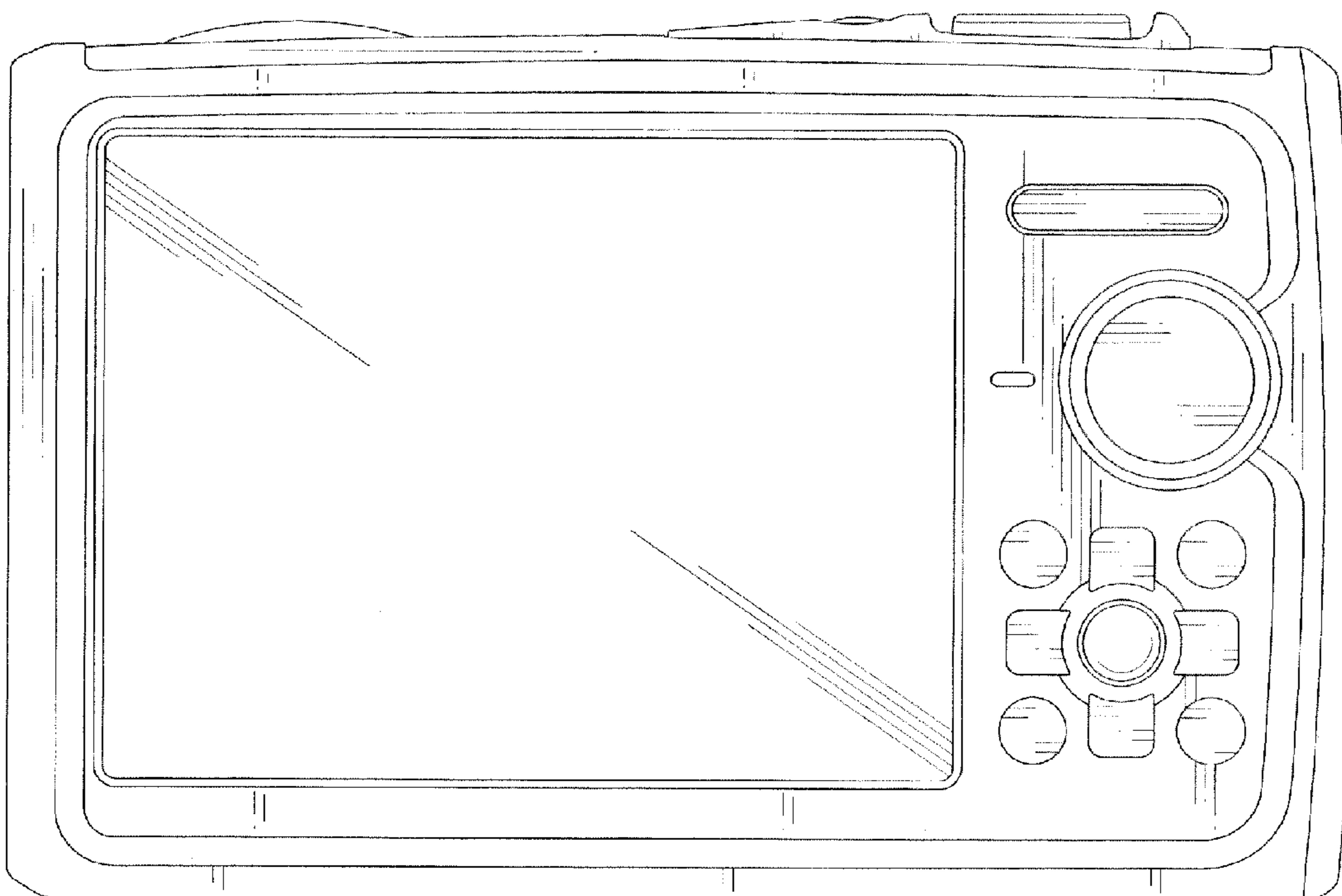
**FIG.1**



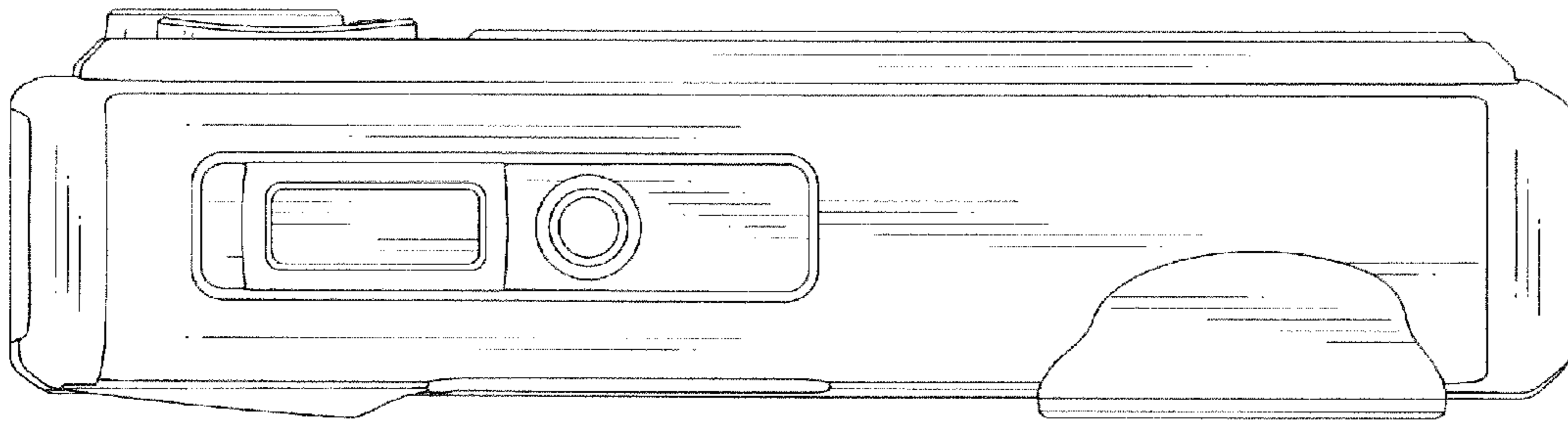
**FIG.2**



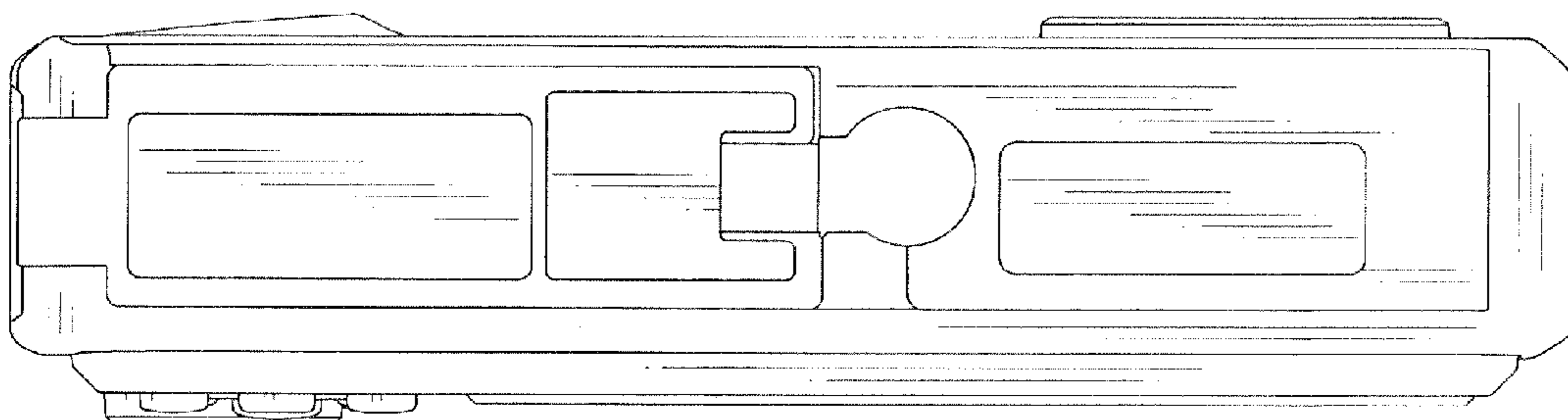
**FIG.3**



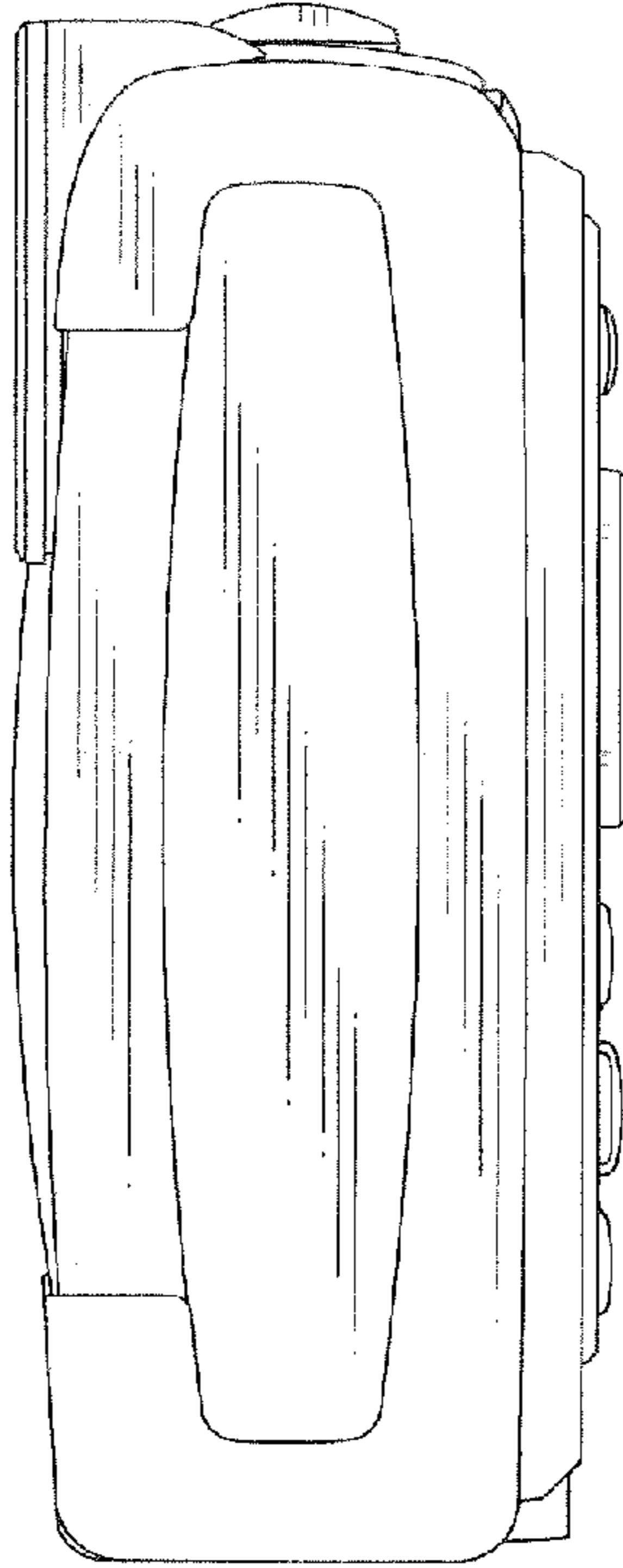
**FIG.4**



**FIG.5**



**FIG.6**



**FIG.7**

