



US00D610178S

(12) **United States Design Patent**  
**Adolfsson et al.**

(10) **Patent No.:** **US D610,178 S**  
(45) **Date of Patent:** **\*\* Feb. 16, 2010**

(54) **HOUSING FOR A SURVEILLANCE CAMERA**

(75) Inventors: **Johan Adolfsson**, Södra Sandby (SE);  
**Elin Annebäck**, Malmö (SE); **Morten Bergström**, Bjärred (SE); **Alexander Rosenqvist**, Sjöbo (SE); **Joacim Tullberg**, Lund (SE)

(73) Assignee: **Axis AB**, Lund (SE)

(\*\*) Term: **14 Years**

(21) Appl. No.: **29/329,578**

(22) Filed: **Dec. 18, 2008**

(30) **Foreign Application Priority Data**

Jul. 24, 2008 (EM) ..... 000976113

(51) **LOC (9) Cl.** ..... **16-01**

(52) **U.S. Cl.** ..... **D16/200; D16/203**

(58) **Field of Classification Search** ..... D16/200–205,  
D16/208, 218; 348/143, 373–376; 358/909.1;  
396/427, 535–541

See application file for complete search history.

(56) **References Cited**

**U.S. PATENT DOCUMENTS**

D224,982	S *	10/1972	Conner	.....	D16/200
D296,551	S *	7/1988	Mizogui	.....	D16/202
D381,348	S *	7/1997	Tanaka	.....	D16/208
D439,591	S *	3/2001	Reidt et al.	.....	D16/208
6,683,653	B1 *	1/2004	Miyake et al.	.....	348/373
6,768,868	B1 *	7/2004	Schnell	.....	396/427
D504,905	S *	5/2005	Tullberg et al.	.....	D16/218

D519,141	S *	4/2006	Hayashi	.....	D16/218
D527,754	S *	9/2006	Chou	.....	D16/202
D542,820	S *	5/2007	Depay	.....	D16/202
7,330,649	B2 *	2/2008	Finizio et al.	.....	348/143
D591,321	S *	4/2009	Sheppard et al.	.....	D16/202

**OTHER PUBLICATIONS**

U.S. Appl. No. 29/329,577, filed Dec. 18, 2008, Adolfsson, et al.  
U.S. Appl. No. 29/329,578, filed Dec. 18, 2008, Adolfsson, et al.

\* cited by examiner

*Primary Examiner*—Adir Aronovich

(74) *Attorney, Agent, or Firm*—Oblon, Spivak, McClelland, Maier & Neustadt, L.L.P.

(57) **CLAIM**

The ornamental design for a housing for a surveillance camera, as shown and described.

**DESCRIPTION**

FIG. 1 is a top, front and right side perspective view of a housing for a surveillance camera showing our new design;

FIG. 2 is a bottom, rear perspective view thereof;

FIG. 3 is a front elevational view thereof;

FIG. 4 is rear elevational view thereof;

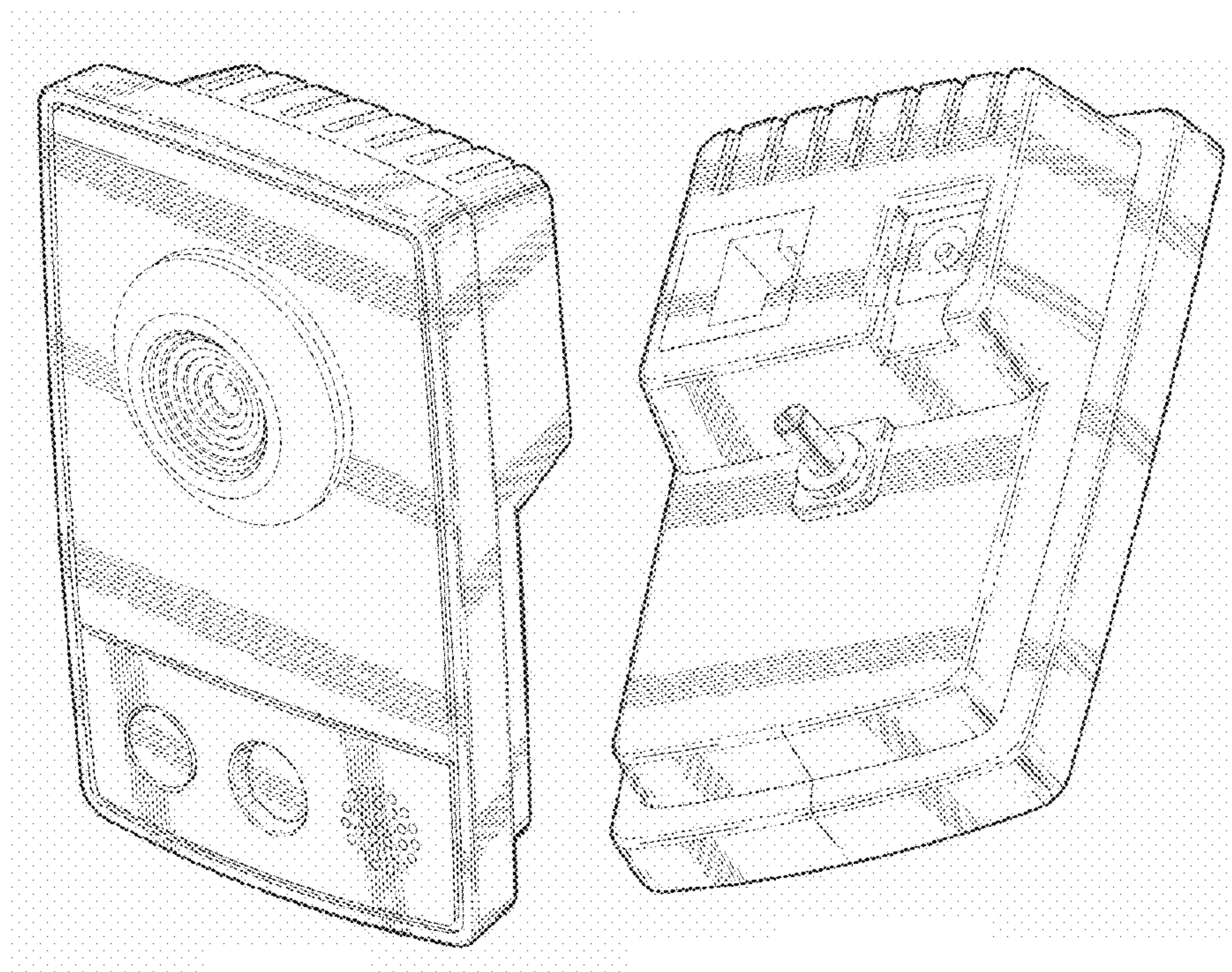
FIG. 5 is a left side elevational view thereof;

FIG. 6 is a top plan view thereof; and,

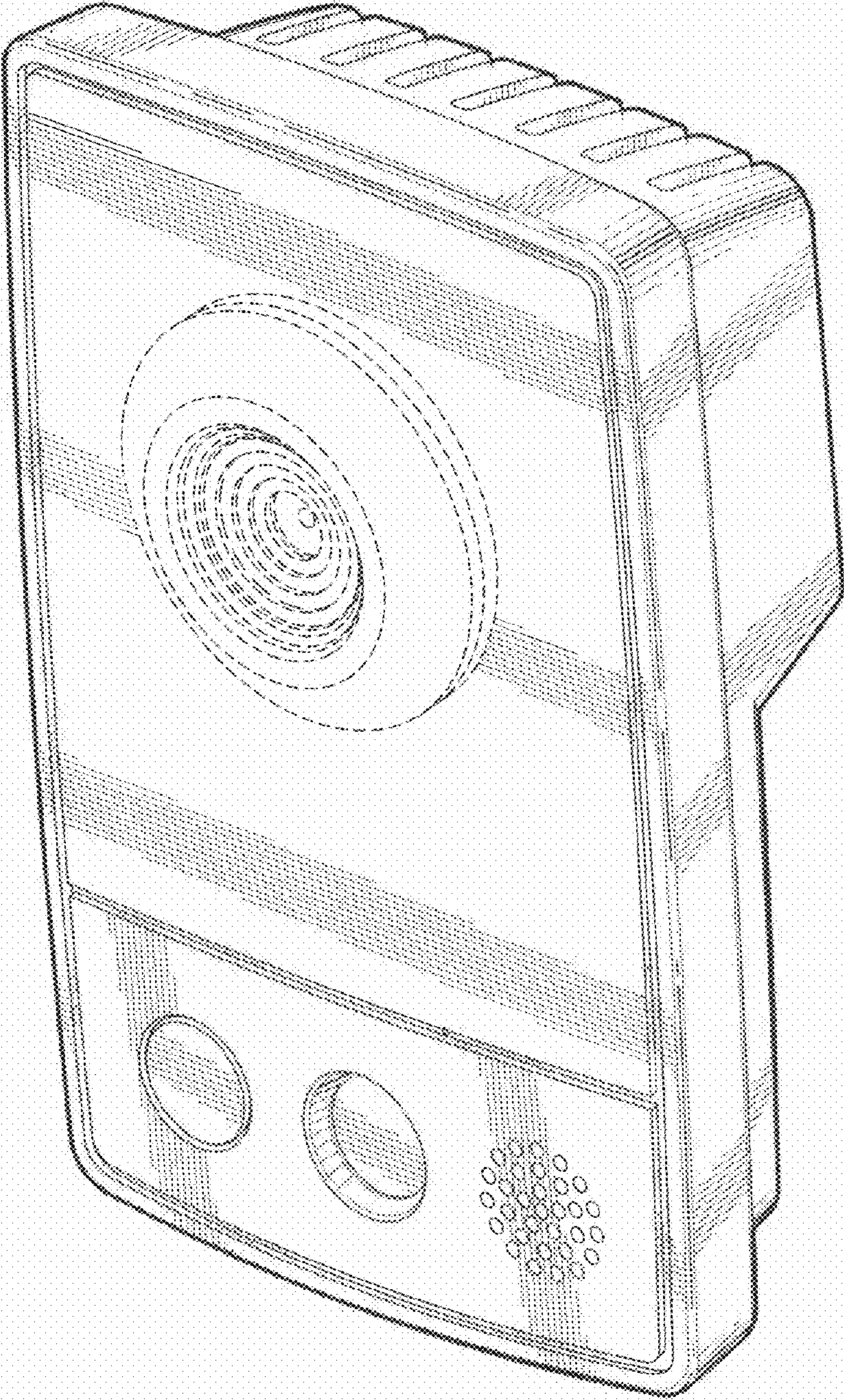
FIG. 7 is a bottom plan view thereof.

The portions of the article in broken lines are shown for illustrative purposes only and form no part of the claimed design.

**1 Claim, 7 Drawing Sheets**

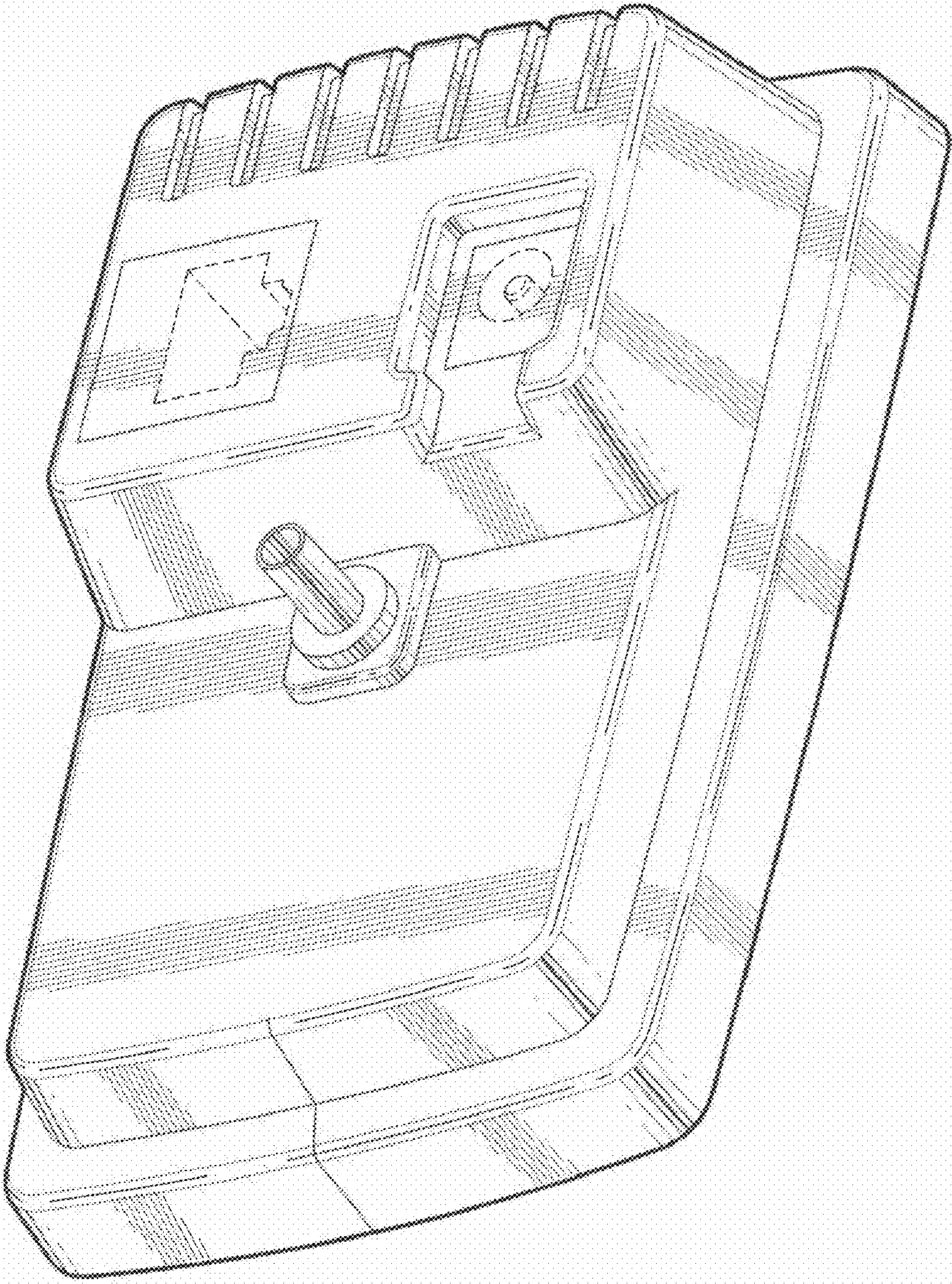






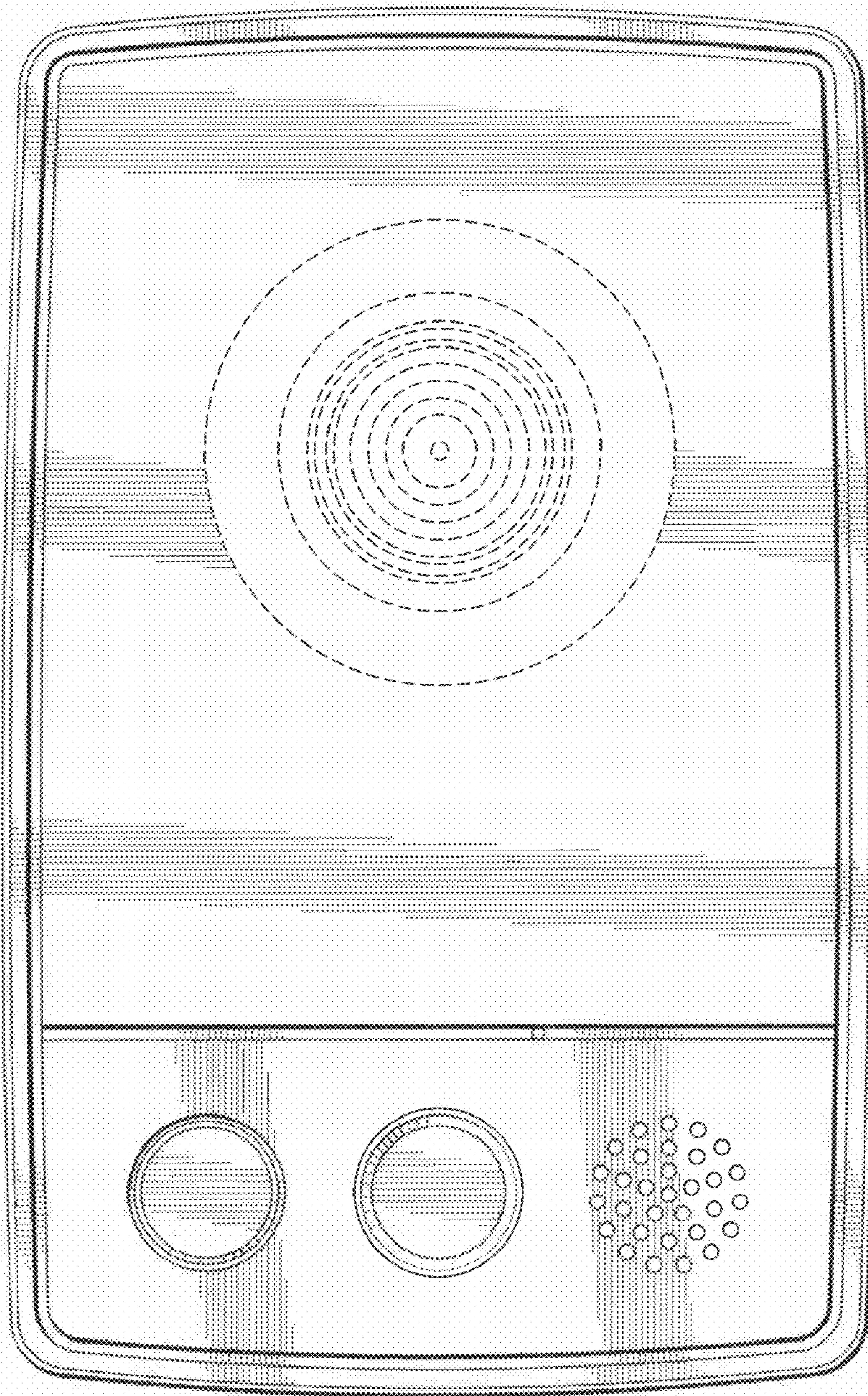
*Fig. 1*





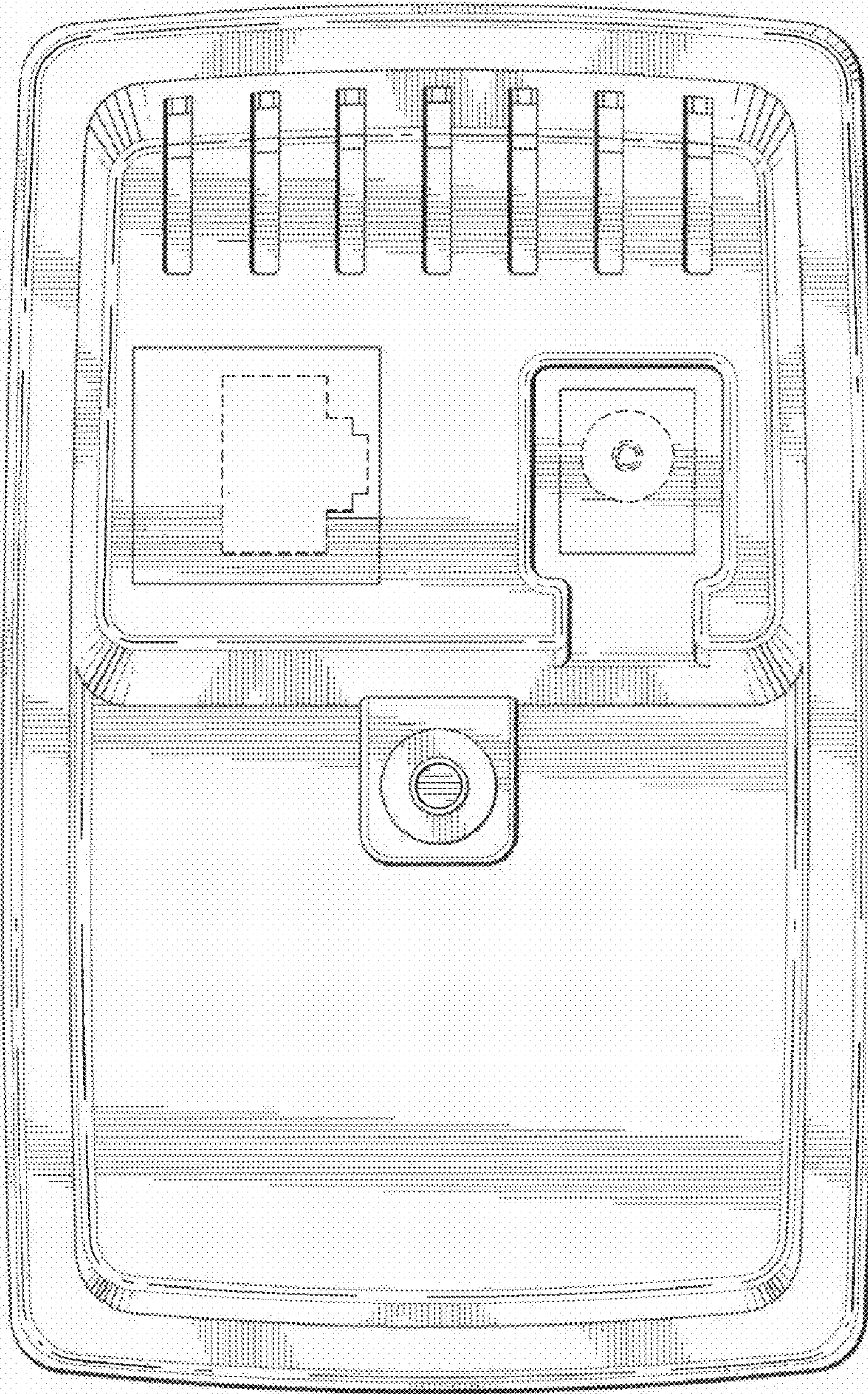
*Fig. 2*





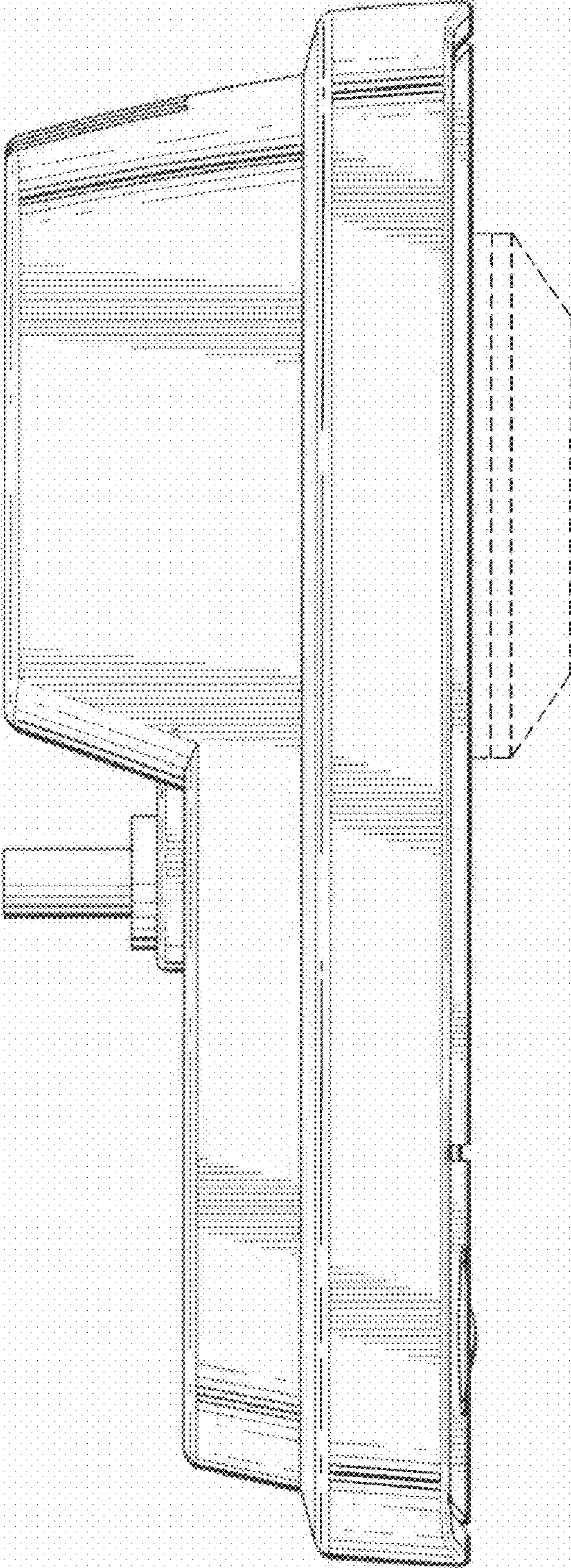
*Fig. 3*



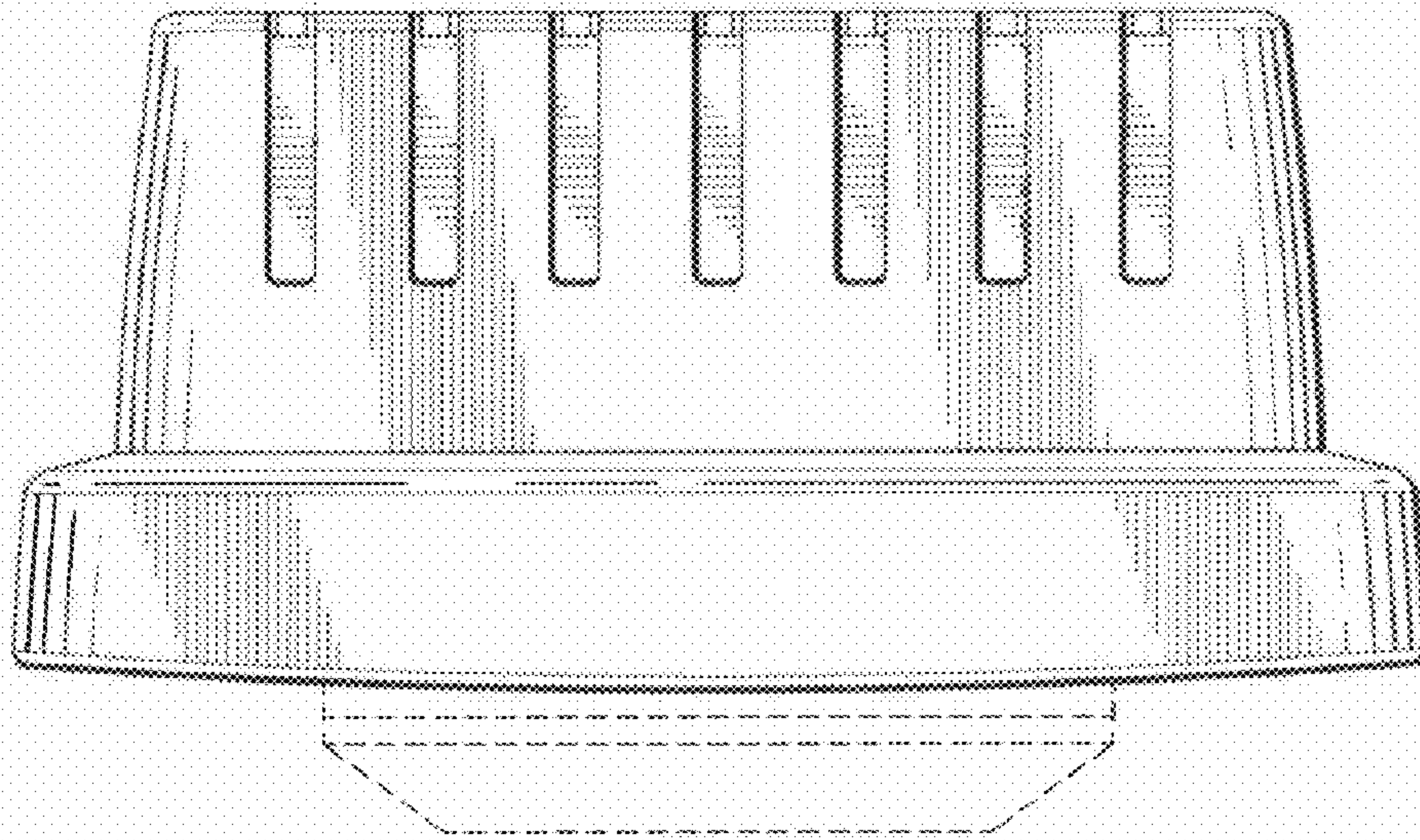


*Fig. 4*



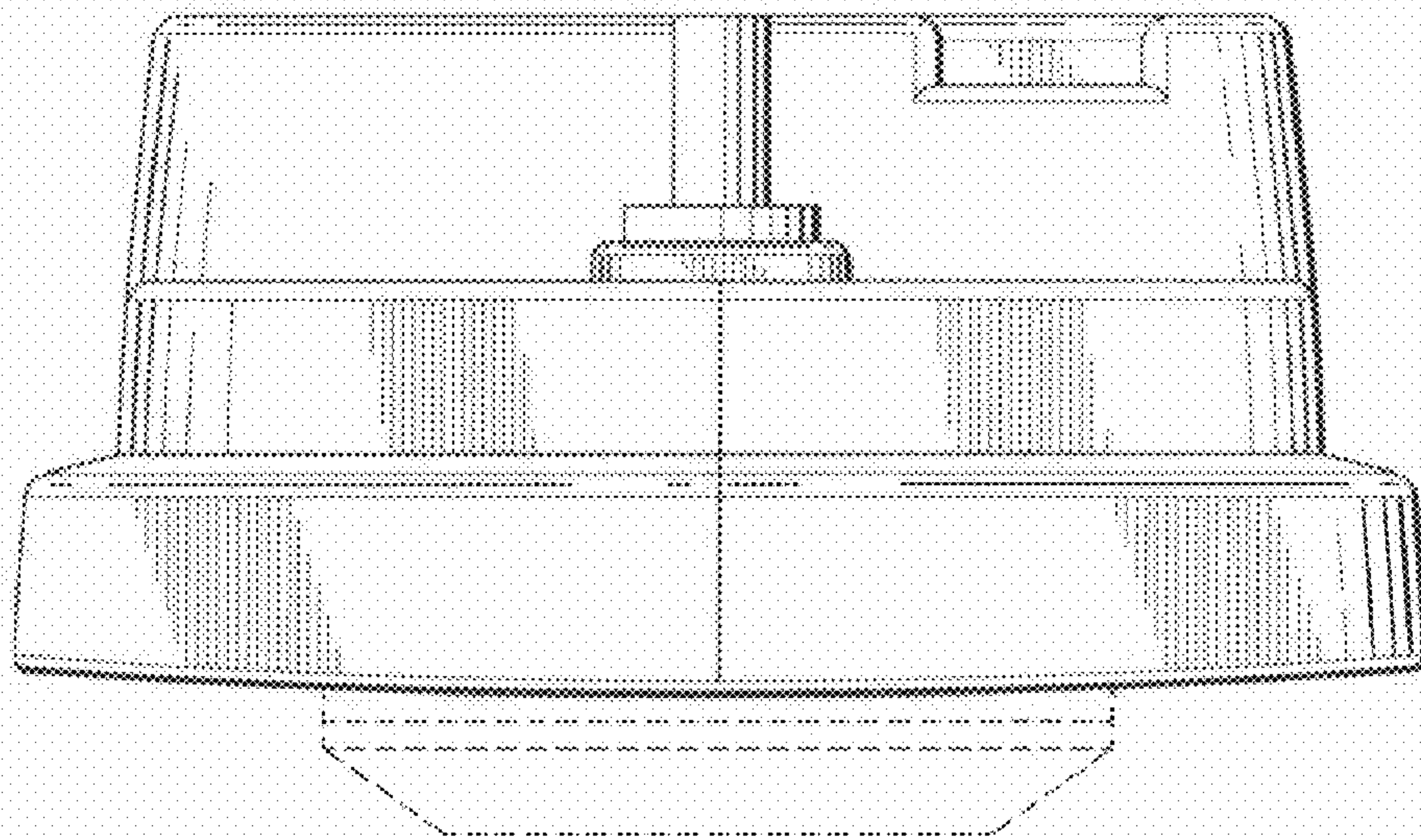


*Fig. 5*



*Fig. 6*





*Fig. 7*