



US00D610175S

(12) **United States Design Patent**  
**Pfaff**

(10) **Patent No.:** **US D610,175 S**

(45) **Date of Patent:** **\*\* \*Feb. 16, 2010**

(54) **PLANING MACHINE**

(75) **Inventor:** **Ernst Pfaff**, Ichenhausen (DE)

(73) **Assignee:** **Scheppach Fabrikation von  
Holzbearbeitungsmaschinen GmbH**,  
Ichenhausen (DE)

(\*\*) **Term:** **14 Years**

(21) **Appl. No.:** **29/261,799**

(22) **Filed:** **Jun. 21, 2006**

(51) **LOC (9) Cl.** ..... **15-09**

(52) **U.S. Cl.** ..... **D15/127**

(58) **Field of Classification Search** ..... D15/124,  
D15/125; 144/112.1, 114 R, 117 R, 124,  
144/129, 130, 144.1, 154.5, 218, 225, 228,  
144/230, 242.5, 245.1, 246.1, 250.2, 252.1,  
144/253.2, 253.8

See application file for complete search history.

(56) **References Cited**

**U.S. PATENT DOCUMENTS**

D285,929 S \* 9/1986 Cheng ..... D15/124  
D306,171 S \* 2/1990 Kronthaler ..... D15/127

D421,993 S \* 3/2000 Chiang ..... D15/127  
6,135,177 A \* 10/2000 Chiang ..... 144/129  
D496,946 S \* 10/2004 Chuang ..... D15/124  
2002/0043776 A1 \* 4/2002 Chuang ..... 280/43.24

\* cited by examiner

*Primary Examiner*—Sandra Snapp

*Assistant Examiner*—Patricia Palasik

(74) *Attorney, Agent, or Firm*—Bacon & Thomas, PLLC

(57) **CLAIM**

The ornamental design for a planing machine, as shown and described.

**DESCRIPTION**

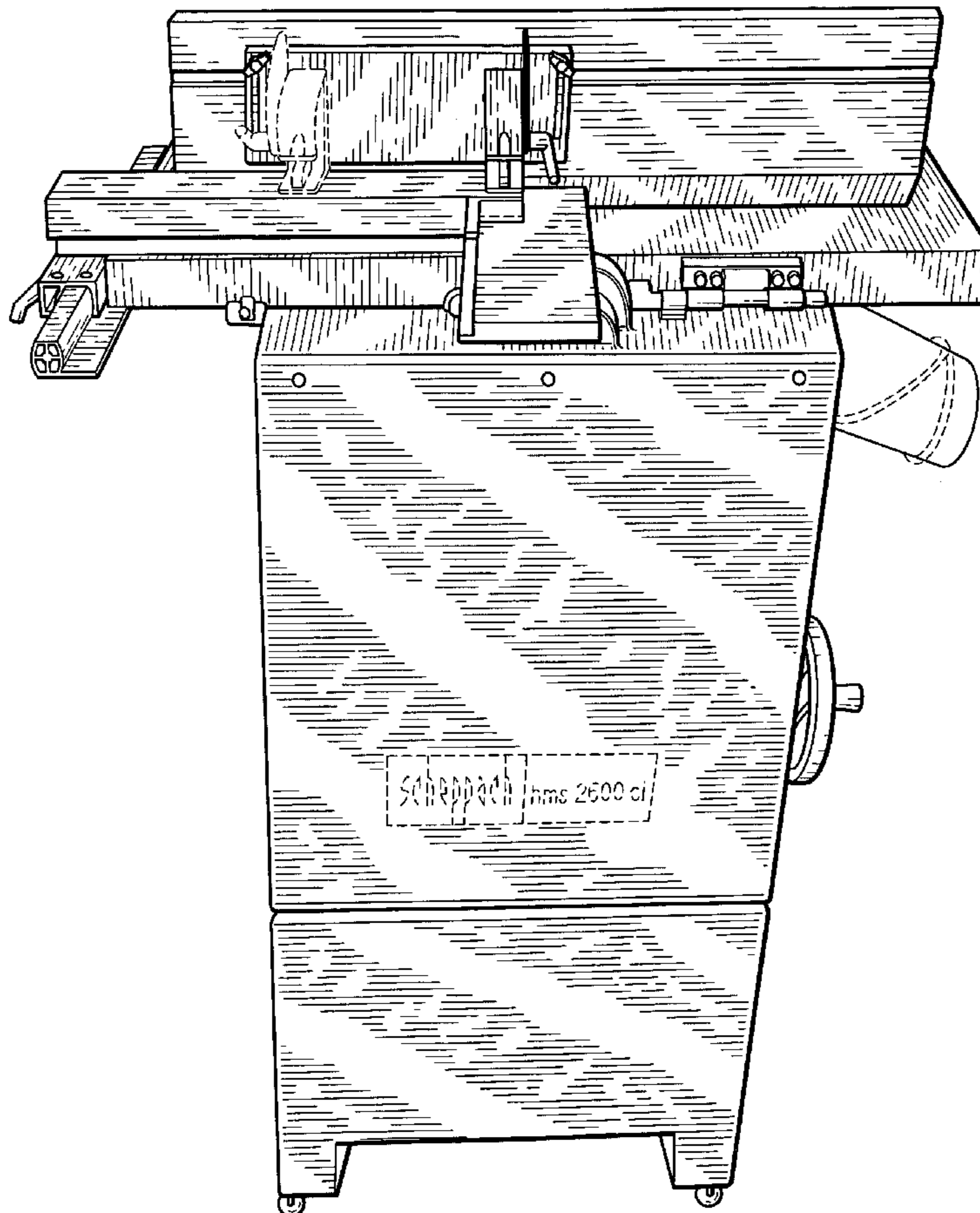
FIG. 1 is a front view of the planing machine according to my invention;

FIG. 2 is a right-side view of the planing machine according to my invention;

FIG. 3 is a left-side view of the planing machine according to my invention; and,

FIG. 4 is a rear view of the planing machine according to my invention.

**1 Claim, 4 Drawing Sheets**



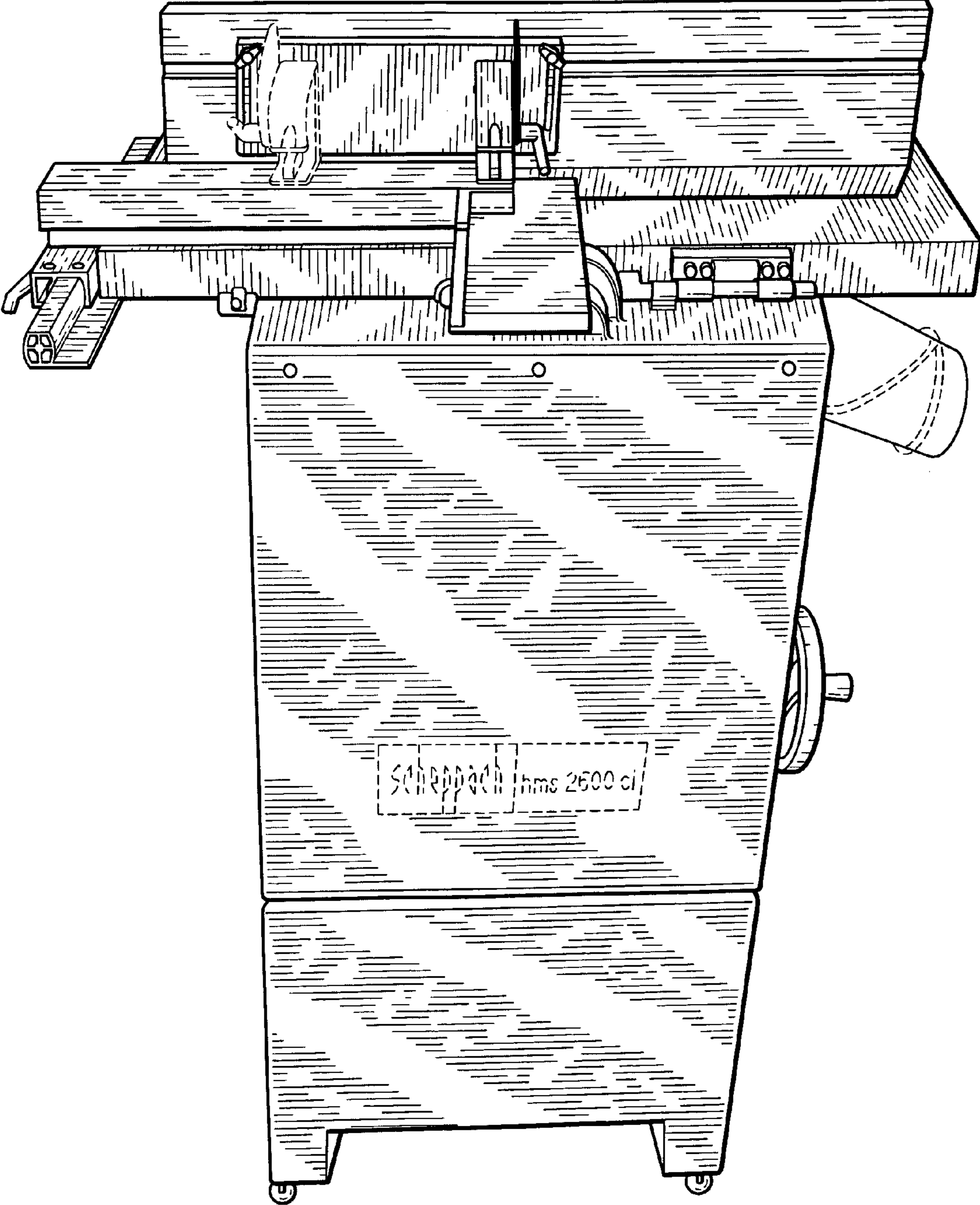


FIG. 1

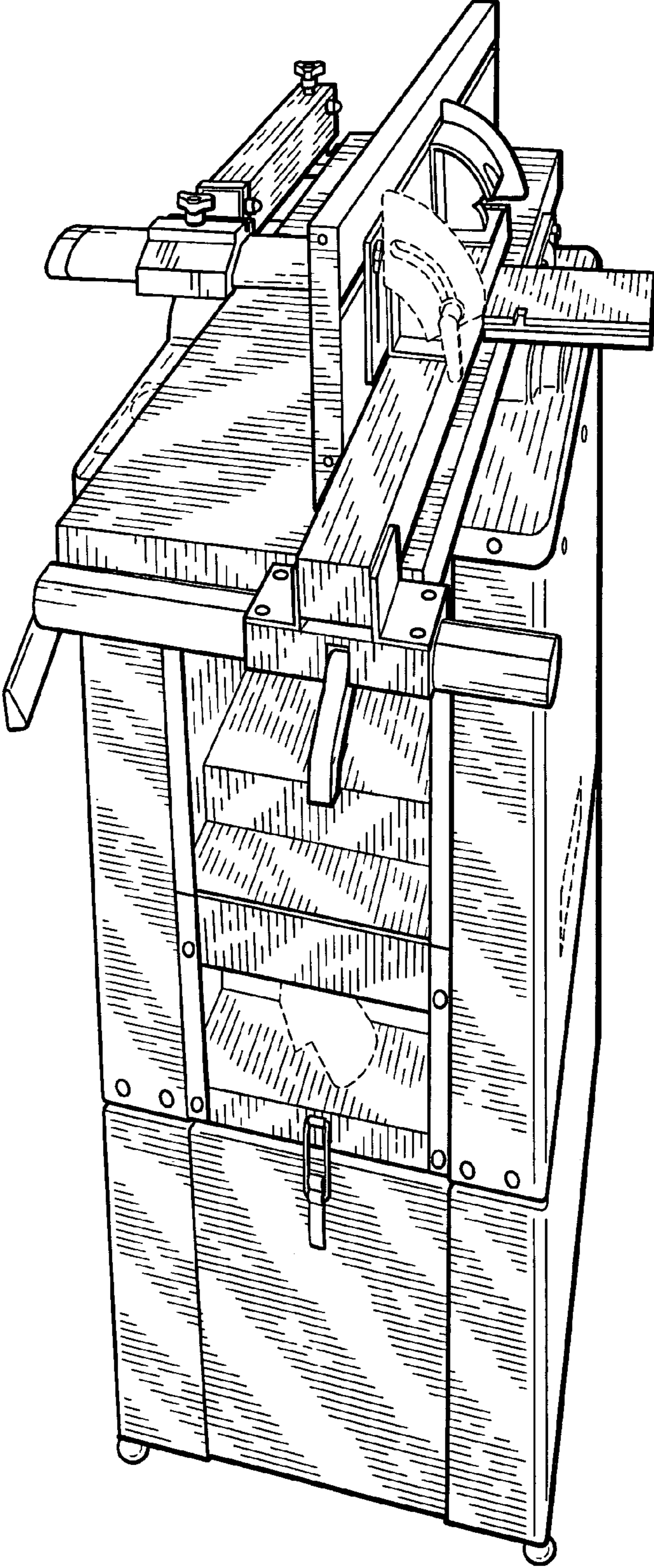


FIG. 2

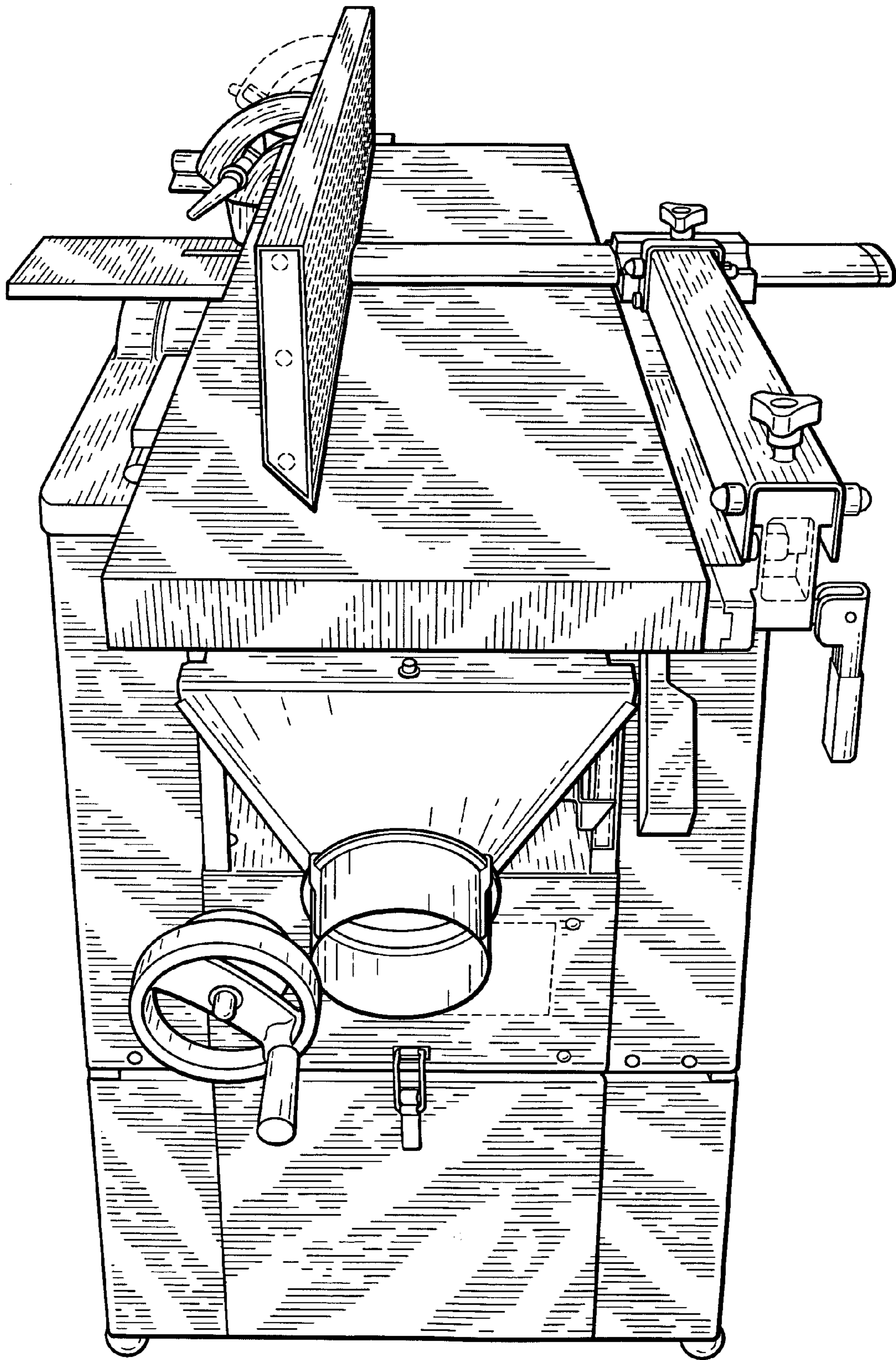


FIG. 3

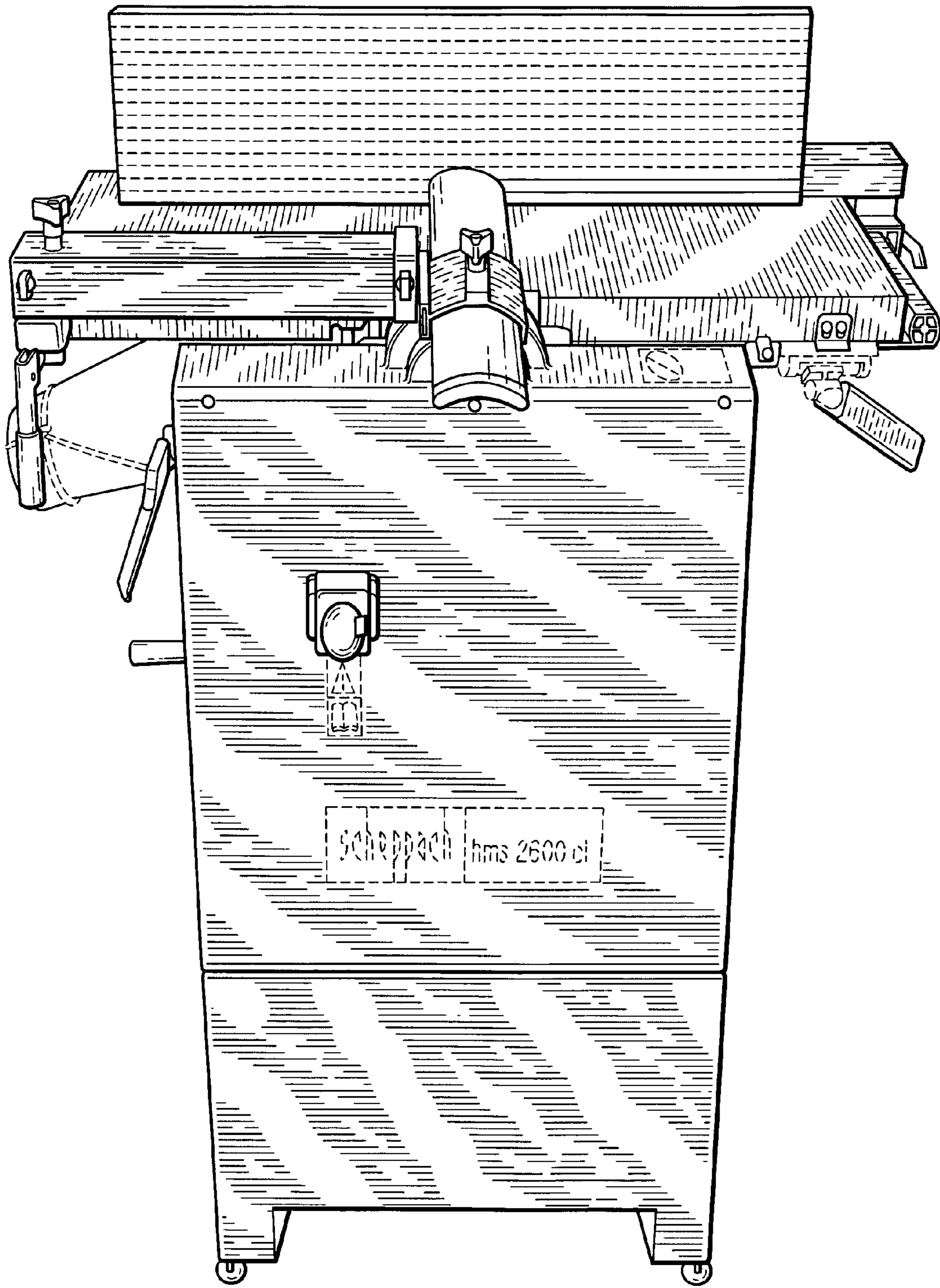


FIG. 4