



US00D610174S

(12) **United States Design Patent**
Baker et al.

(10) **Patent No.:** **US D610,174 S**

(45) **Date of Patent:** **** Feb. 16, 2010**

(54) **REFRIGERATOR**

(75) Inventors: **Chuck Baker**, Anderson, SC (US);
Brent Curtis, Anderson, SC (US);
Robert H. Martin, Anderson, SC (US);
Ben Shrader, Anderson, SC (US); **Nic Saeger**, Anderson, SC (US)

(73) Assignee: **Electrolux Home Products, Inc.**,
Cleveland, OH (US)

(**) Term: **14 Years**

(21) Appl. No.: **29/340,147**

(22) Filed: **Jul. 14, 2009**

(51) **LOC (9) Cl.** **15-07**

(52) **U.S. Cl.** **D15/91**

(58) **Field of Classification Search** D15/79,
D15/81, 85, 86, 87, 88; 62/3.6, 3.63, 3.64,
62/293, 331, 371, 440-445, 467; 312/112-119,
312/236, 400-408

See application file for complete search history.

(56) **References Cited**

U.S. PATENT DOCUMENTS

D520,535 S * 5/2006 Lee et al. D15/91
D523,878 S * 6/2006 Quinlan et al. D15/89

D565,064 S * 3/2008 Martin et al. D15/91
D567,261 S * 4/2008 Crookshanks D15/91
D569,400 S * 5/2008 Crookshanks D15/91
D590,425 S * 4/2009 Rosenfelder et al. D15/91

* cited by examiner

Primary Examiner—Stella M Reid

Assistant Examiner—Shanda C Hill

(74) *Attorney, Agent, or Firm*—Banner & Witcoff, Ltd.

(57) **CLAIM**

The ornamental design for a refrigerator, as shown and described.

DESCRIPTION

FIG. 1 is a front perspective view of a refrigerator showing our new design;

FIG. 2 is a front view thereof;

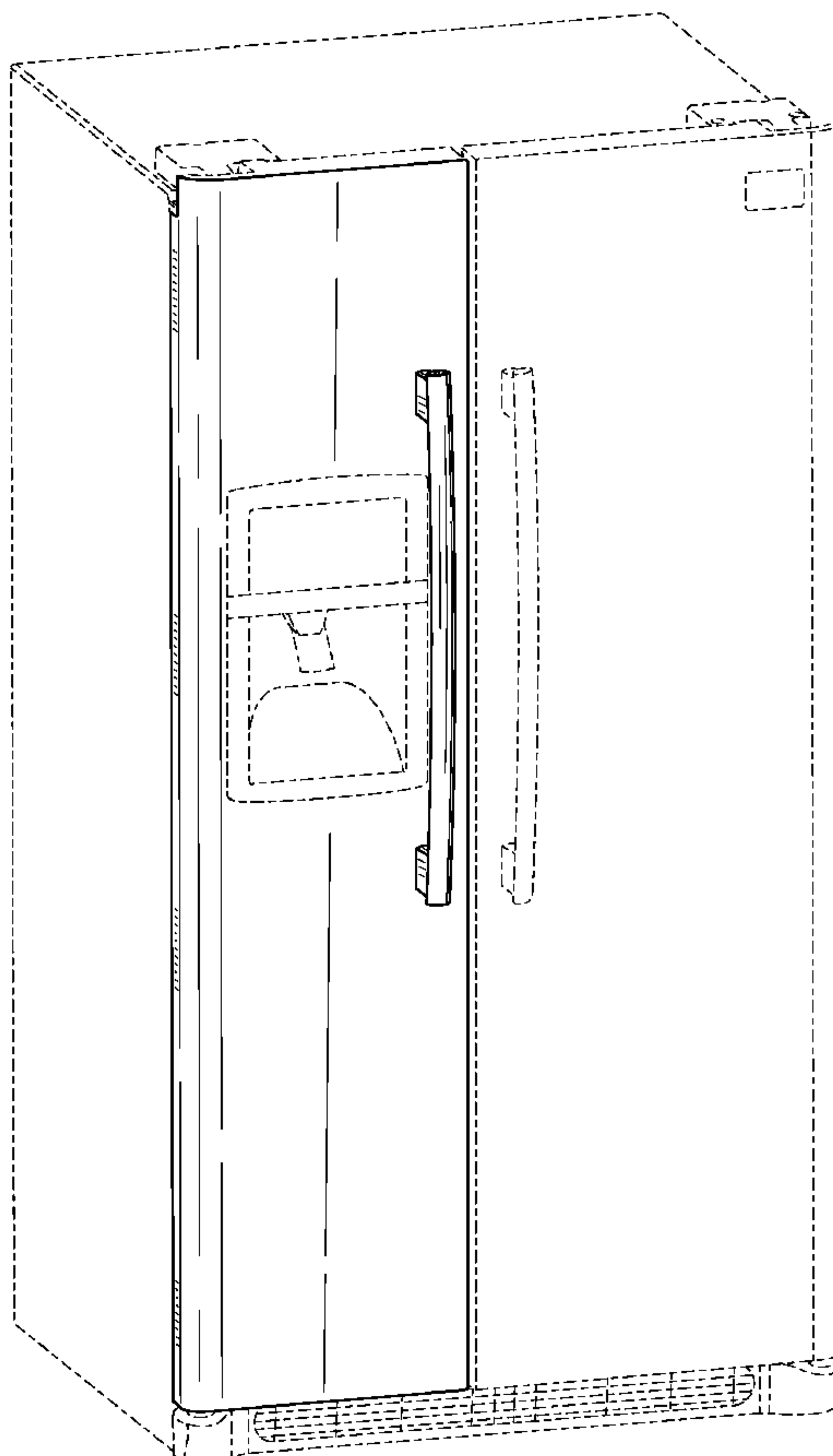
FIG. 3 is a left side view thereof;

FIG. 4 is a top view thereof; and,

FIG. 5 is a bottom view thereof.

The broken lines shown in the drawing disclosure are for illustrative purposes only and form no part of the claimed design.

1 Claim, 4 Drawing Sheets



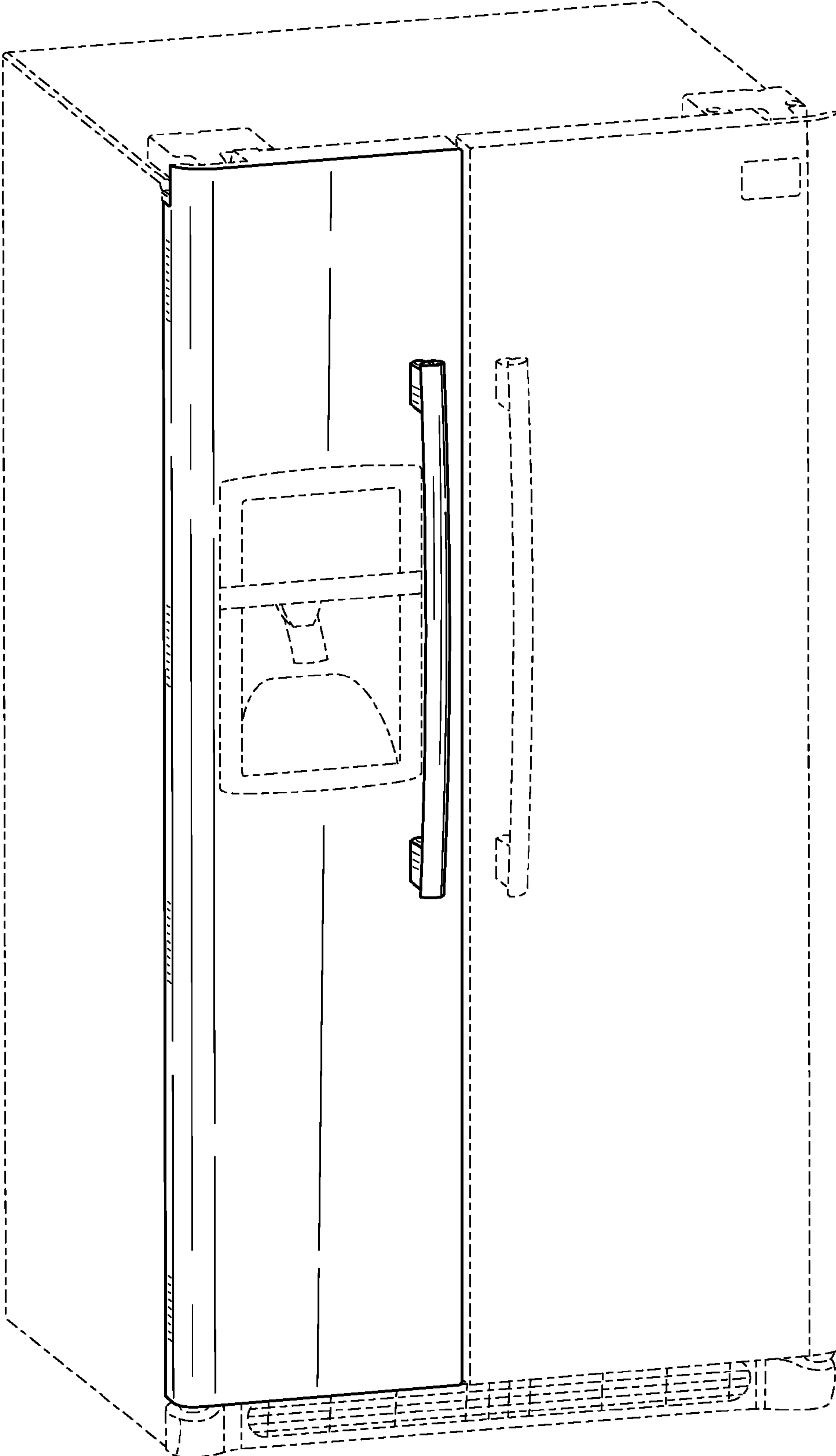


FIG. 1

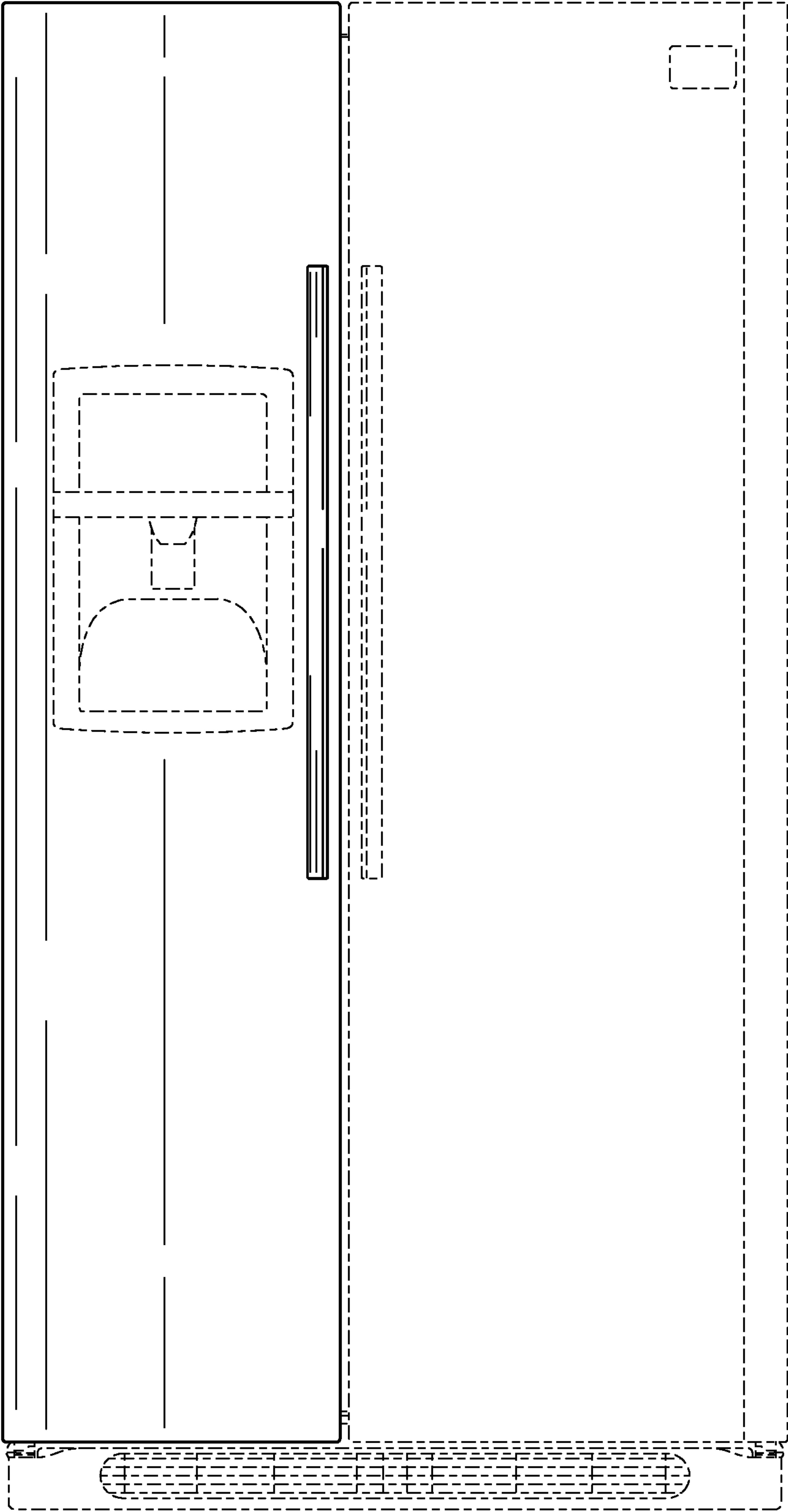


FIG. 2

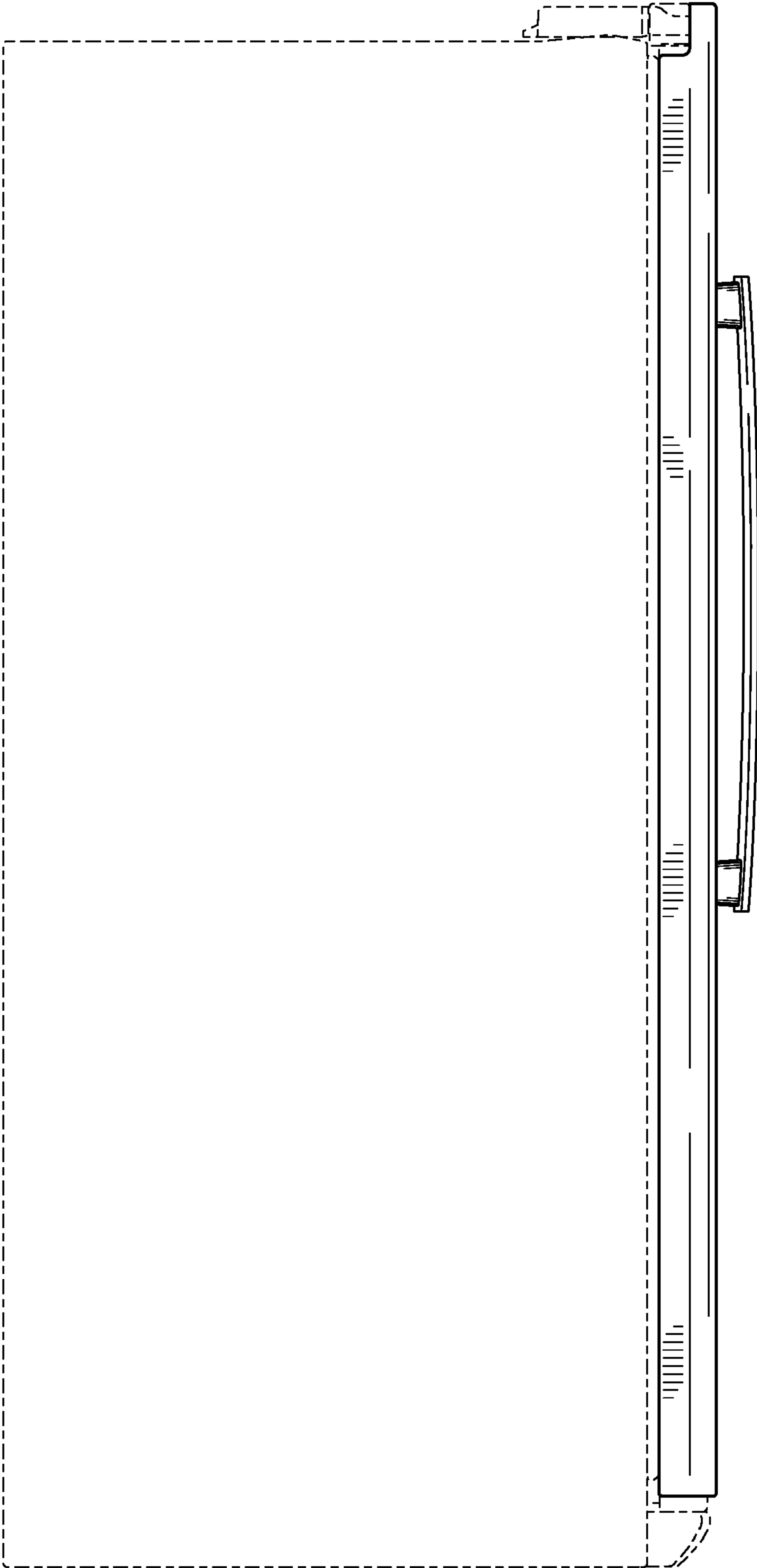


FIG. 3

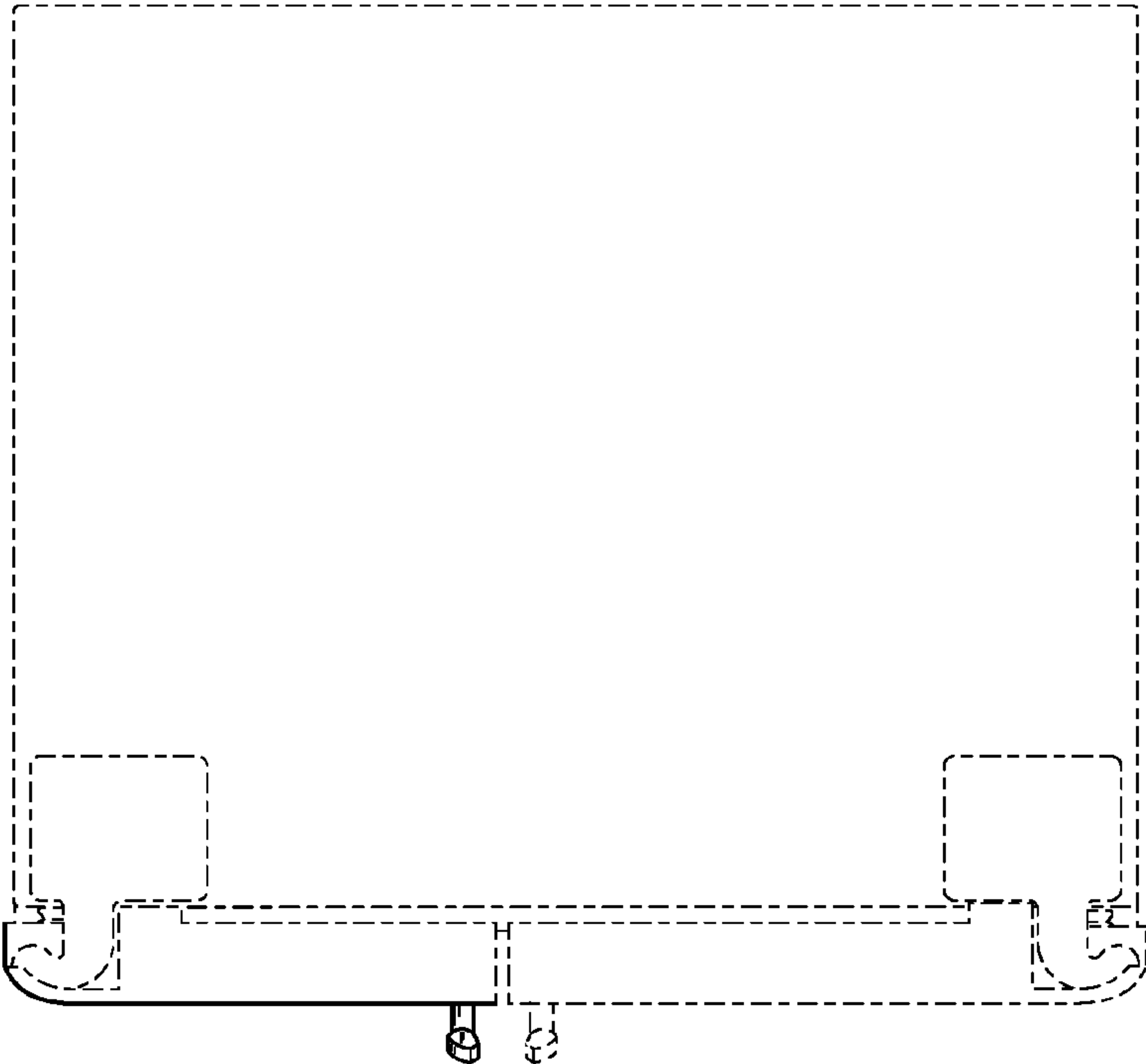


FIG. 4

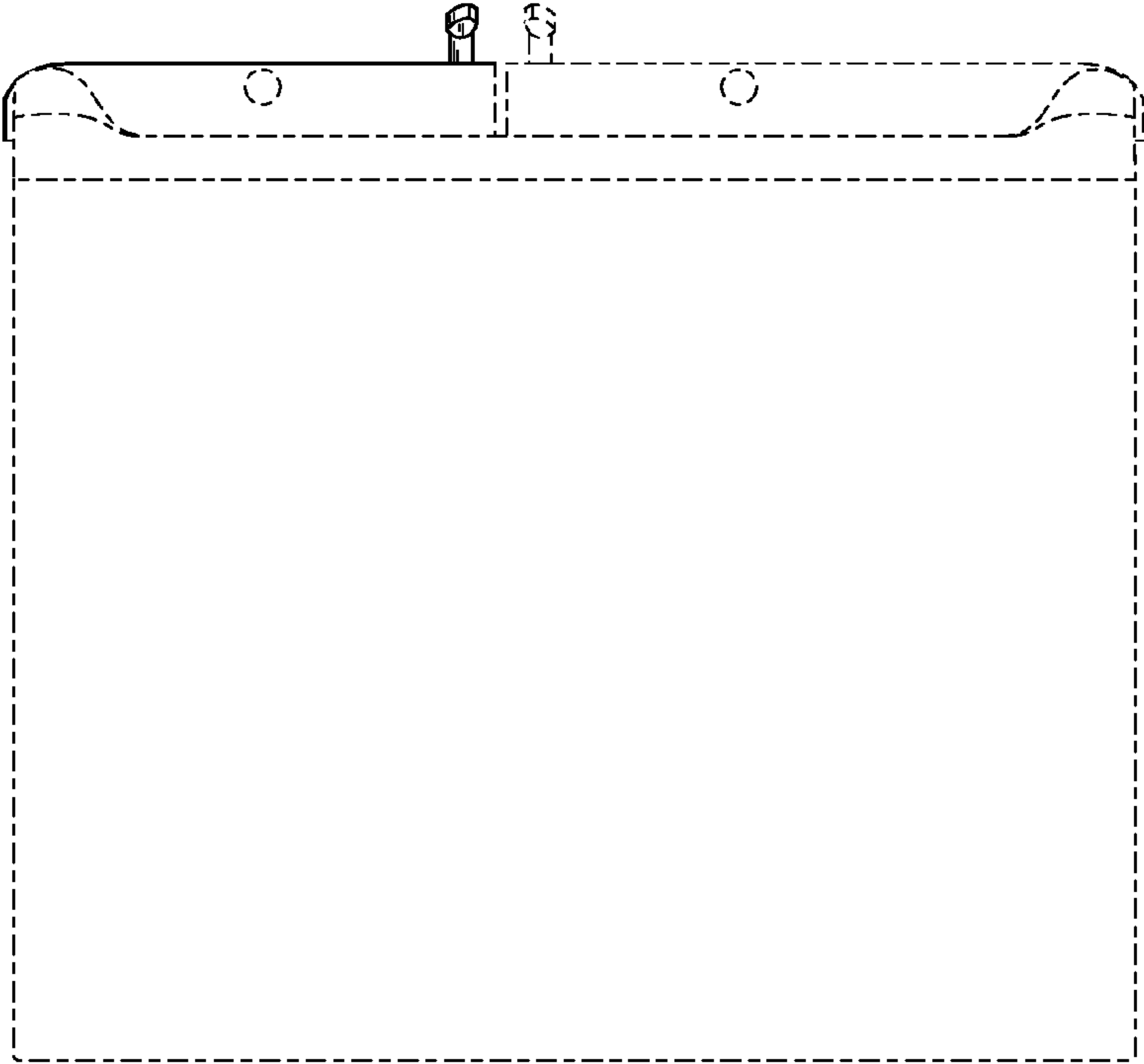


FIG. 5