



US00D610172S

(12) **United States Design Patent**
Yukino et al.

(10) **Patent No.:** **US D610,172 S**
(45) **Date of Patent:** **** Feb. 16, 2010**

(54) **FRONT LOADER**

(75) Inventors: **Hiroyasu Yukino**, Osaka (JP); **Katsumi Fujiki**, Osaka (JP); **Tetsuya Iida**, Osaka (JP); **Yoshiaki Kuraya**, Osaka (JP)

(73) Assignee: **Yanmar Co., Ltd.**, Osaka (JP)

(**) Term: **14 Years**

(21) Appl. No.: **29/338,975**

(22) Filed: **Jun. 22, 2009**

(51) **LOC (9) Cl.** **15-03**

(52) **U.S. Cl.** **D15/32; D15/28**

(58) **Field of Classification Search** D15/10,
D15/22-26, 28, 29, 32; 414/686, 694, 722,
414/718, 815, 723, 685; 37/341, 407
See application file for complete search history.

(56) **References Cited**

U.S. PATENT DOCUMENTS

2,989,199	A	6/1961	Hough et al.	
4,264,264	A *	4/1981	McMillan et al.	414/686
4,470,751	A	9/1984	Masuzawa et al.	
4,498,839	A	2/1985	Williams et al.	
4,522,554	A	6/1985	Williams et al.	
4,576,543	A	3/1986	Kuchyt et al.	
4,798,511	A *	1/1989	Kaczmarczyk et al.	414/686
4,825,568	A *	5/1989	Kawamura et al.	37/442
D319,448	S	8/1991	Ball et al.	
D323,168	S	1/1992	Ericsson	
5,261,780	A *	11/1993	Perry	414/723
5,885,050	A *	3/1999	Kim	414/713
D459,368	S	6/2002	Westendorf et al.	
D469,448	S	1/2003	Bares et al.	
D507,004	S	7/2005	Westendorf et al.	
7,001,137	B2	2/2006	Perrin et al.	
D518,075	S	3/2006	Westendorf et al.	
D528,569	S	9/2006	Nilsson	
D529,053	S	9/2006	Stender et al.	
7,128,518	B2	10/2006	Yamashita	

D533,883	S	12/2006	Higashikawa et al.
7,168,907	B2	1/2007	Lyons et al.
7,273,341	B2	9/2007	Yoshii et al.
7,281,890	B2	10/2007	Friesen et al.
D562,351	S	2/2008	Higashikawa
7,326,026	B2	2/2008	Stender et al.
7,354,237	B2	4/2008	Frey
7,451,587	B2	11/2008	Komiya et al.
D584,749	S	1/2009	Smith et al.
7,510,364	B2	3/2009	Sakada
D595,746	S	7/2009	Iida et al.
7,568,878	B2	8/2009	Frey
2007/0243052	A1	10/2007	Fukudome et al.
2008/0063502	A1	3/2008	Nilsson
2008/0193269	A1	8/2008	Sakada et al.

* cited by examiner

Primary Examiner—Stella M Reid

Assistant Examiner—Mark A Goodwin

(74) *Attorney, Agent, or Firm*—Sterne, Kessler, Goldstein & Fox, P.L.L.C.

(57) **CLAIM**

The ornamental design for a front loader, as shown and described.

DESCRIPTION

FIG. 1 is a front perspective view of a front loader showing our new design;

FIG. 2 is a side view thereof, the opposite side view being a mirror image thereof;

FIG. 3 is a front view thereof;

FIG. 4 is a rear view thereof;

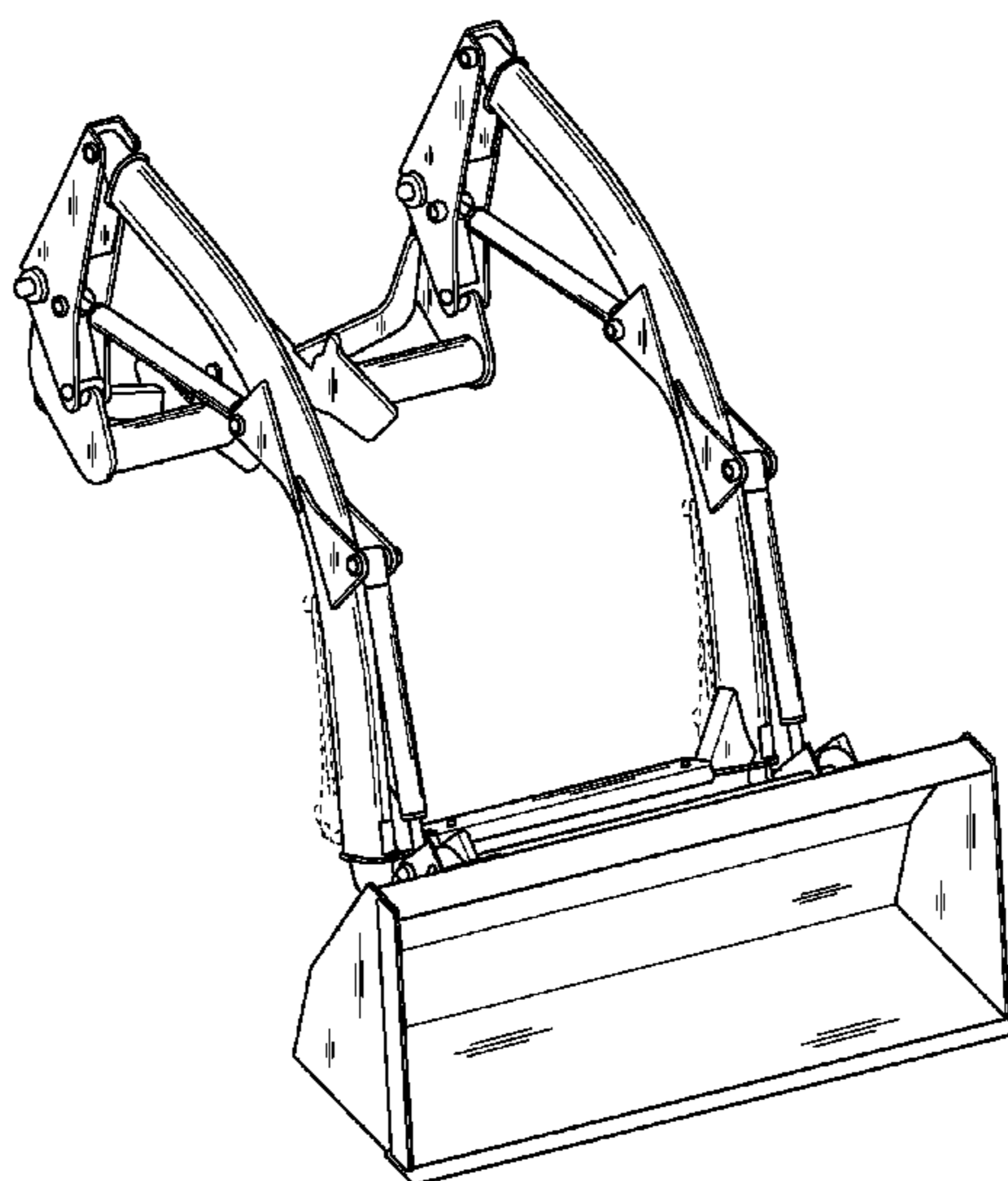
FIG. 5 is a top plan view thereof;

FIG. 6 is a bottom plan view thereof; and,

FIG. 7 is a side view of a front loader shown in use condition.

The broken lines depict environmental subject matter only and form no part of the claimed design.

1 Claim, 7 Drawing Sheets



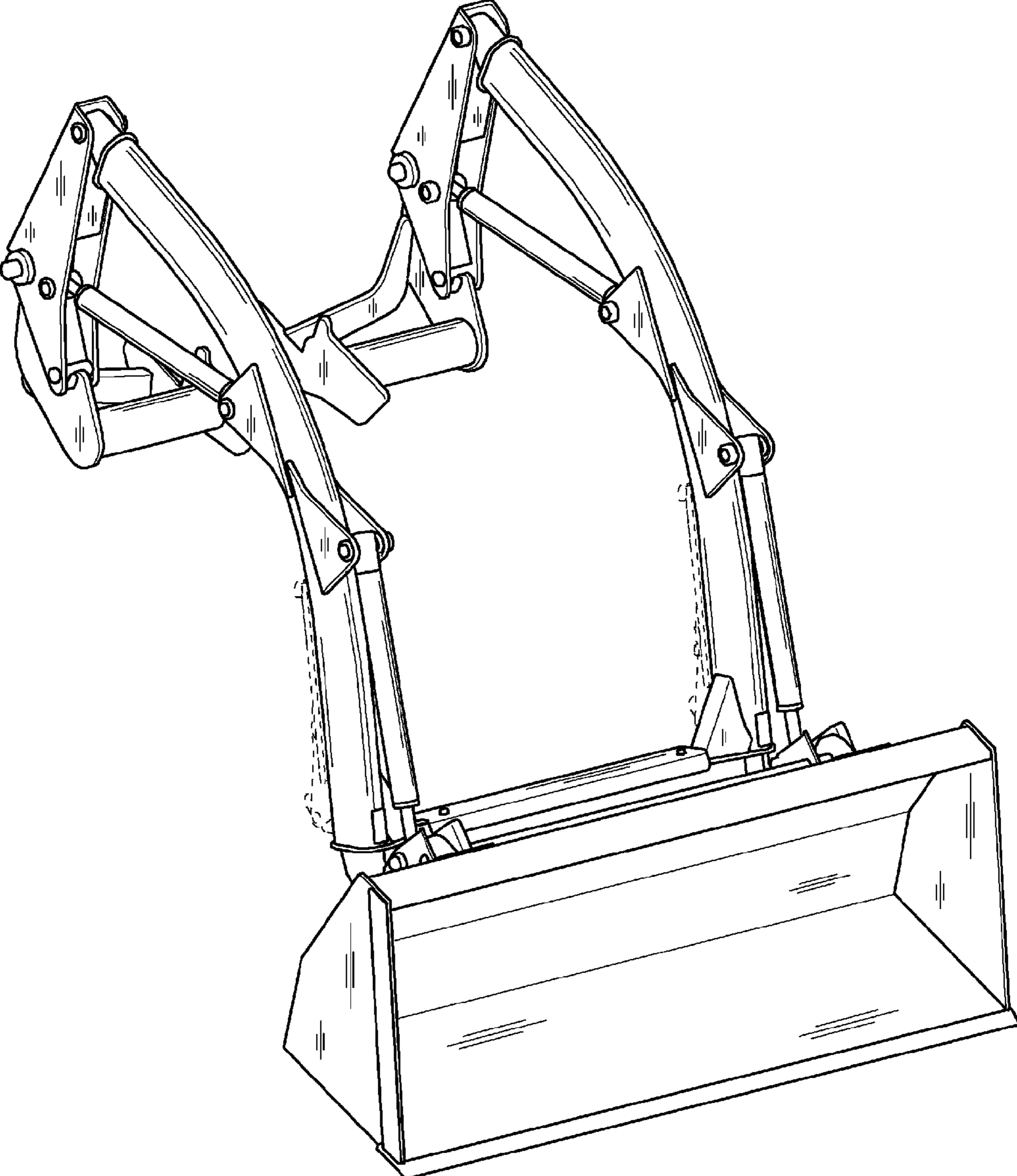


FIG. 1

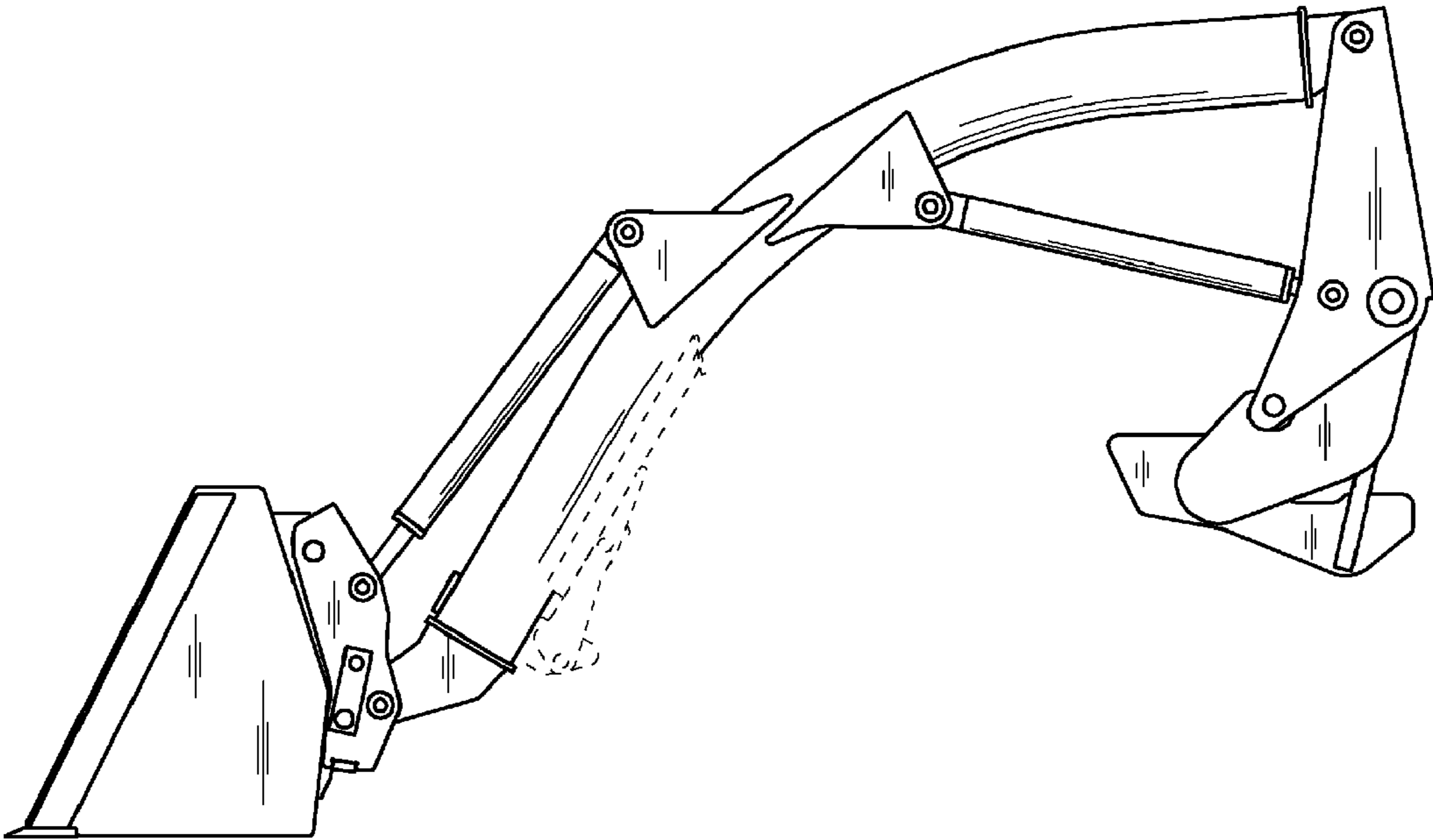


FIG. 2

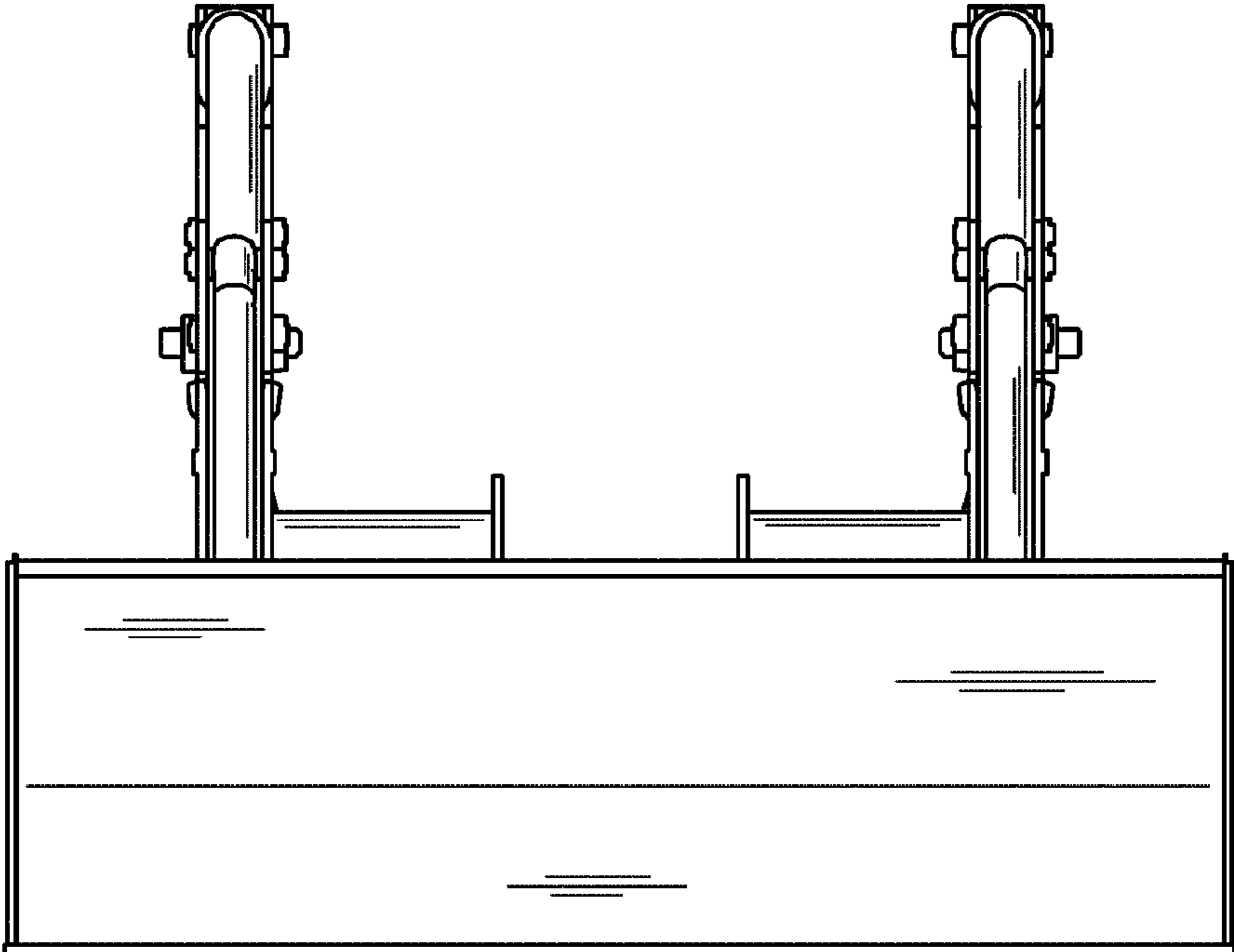


FIG. 3

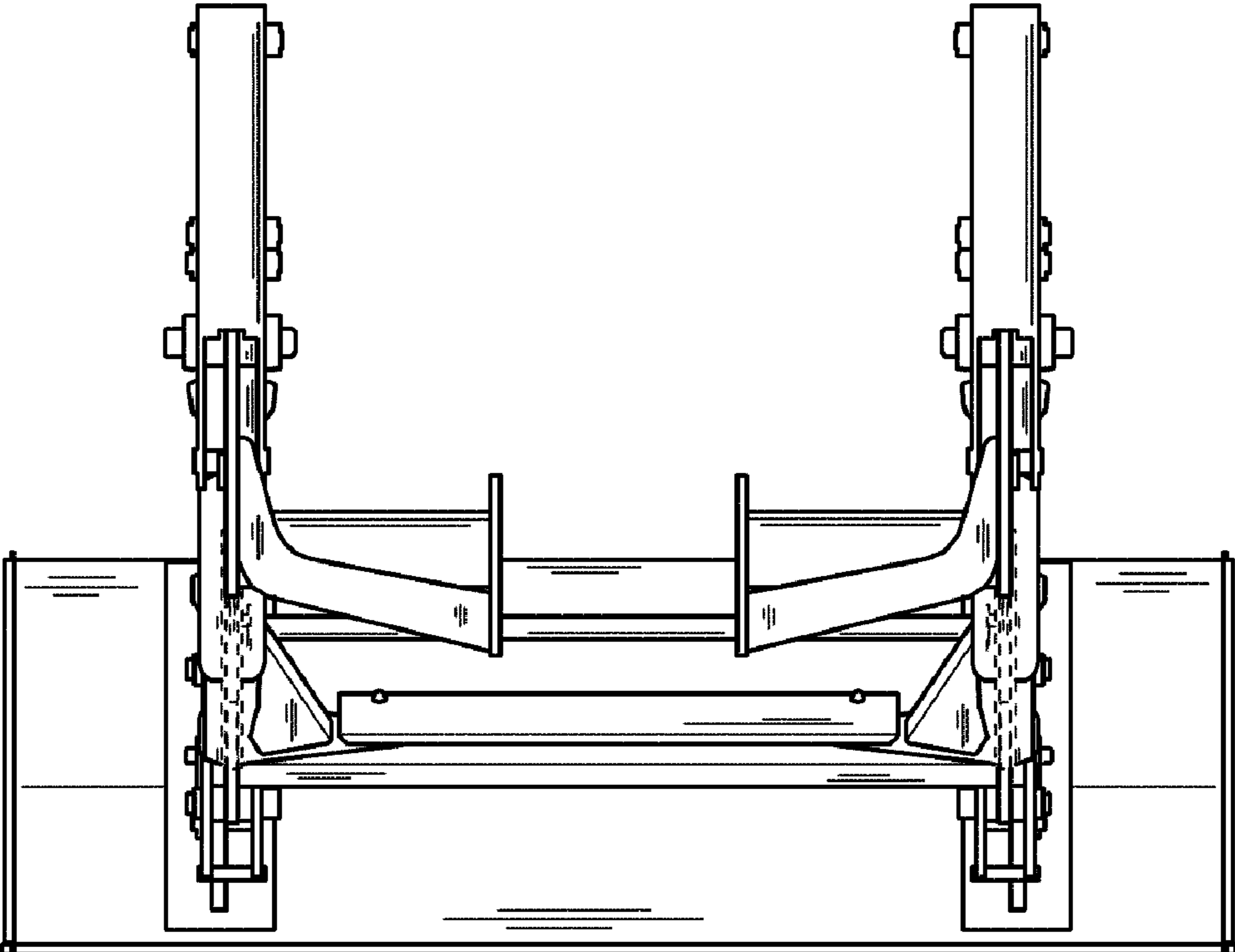


FIG. 4

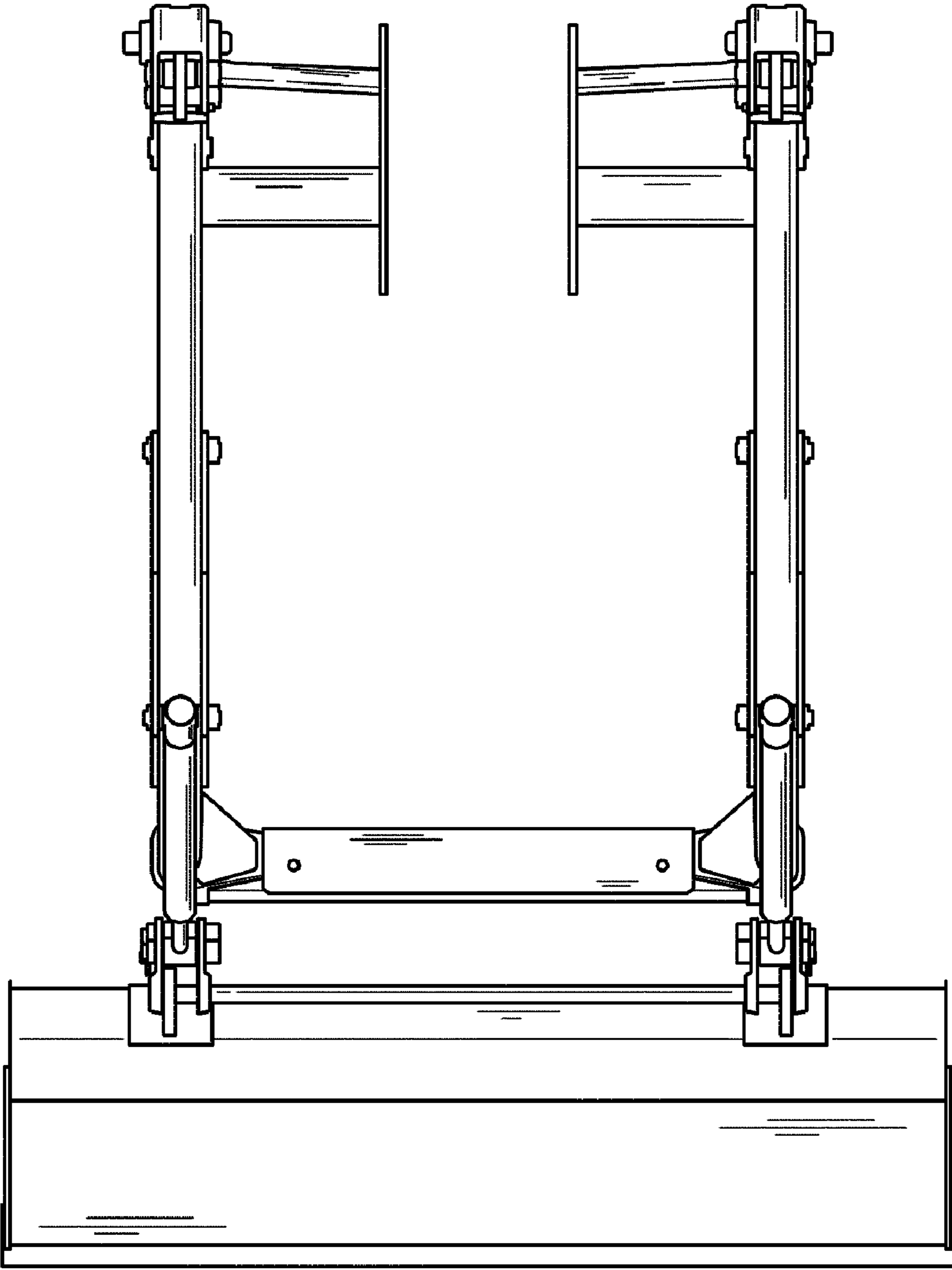


FIG. 5

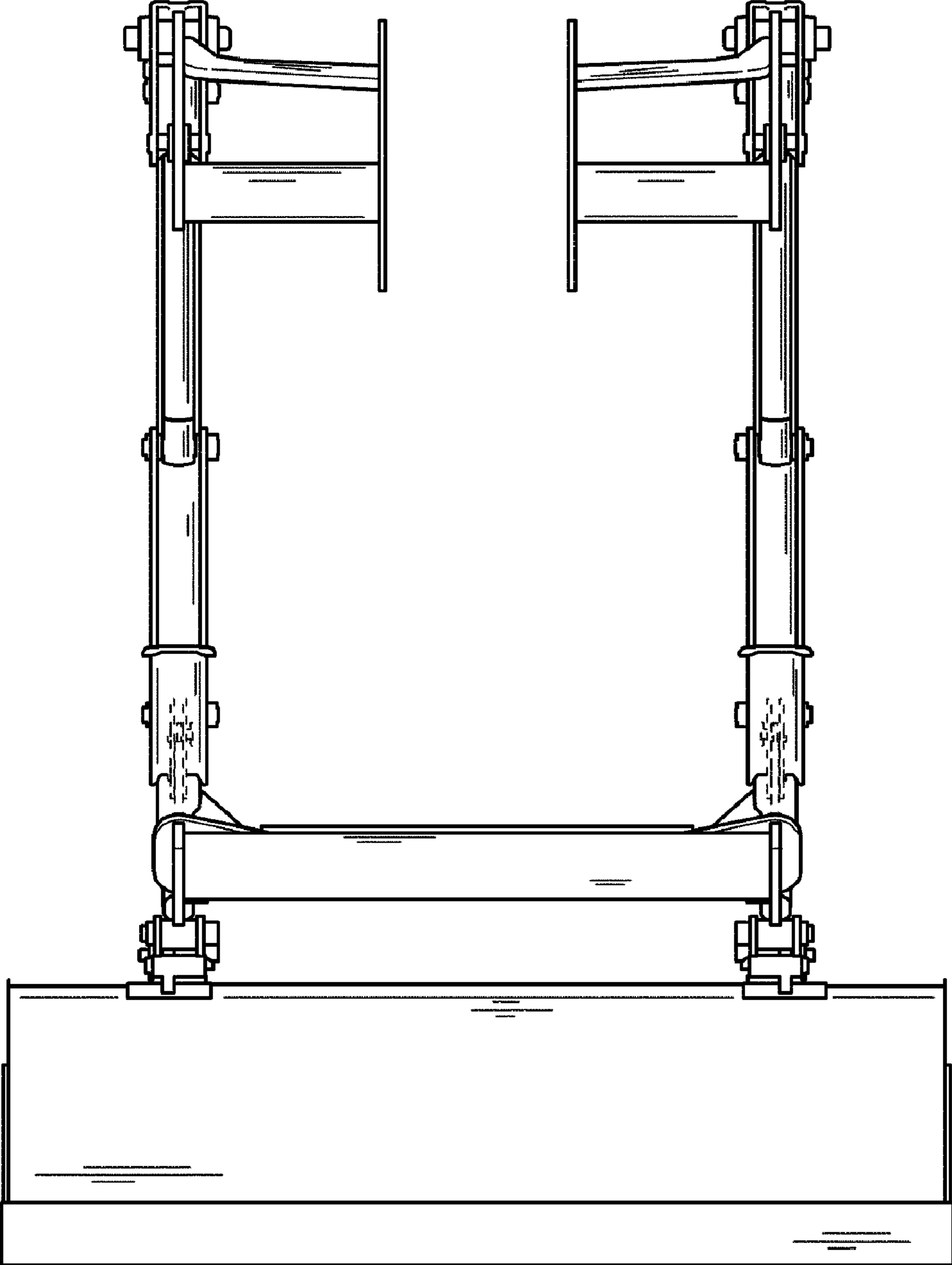


FIG. 6

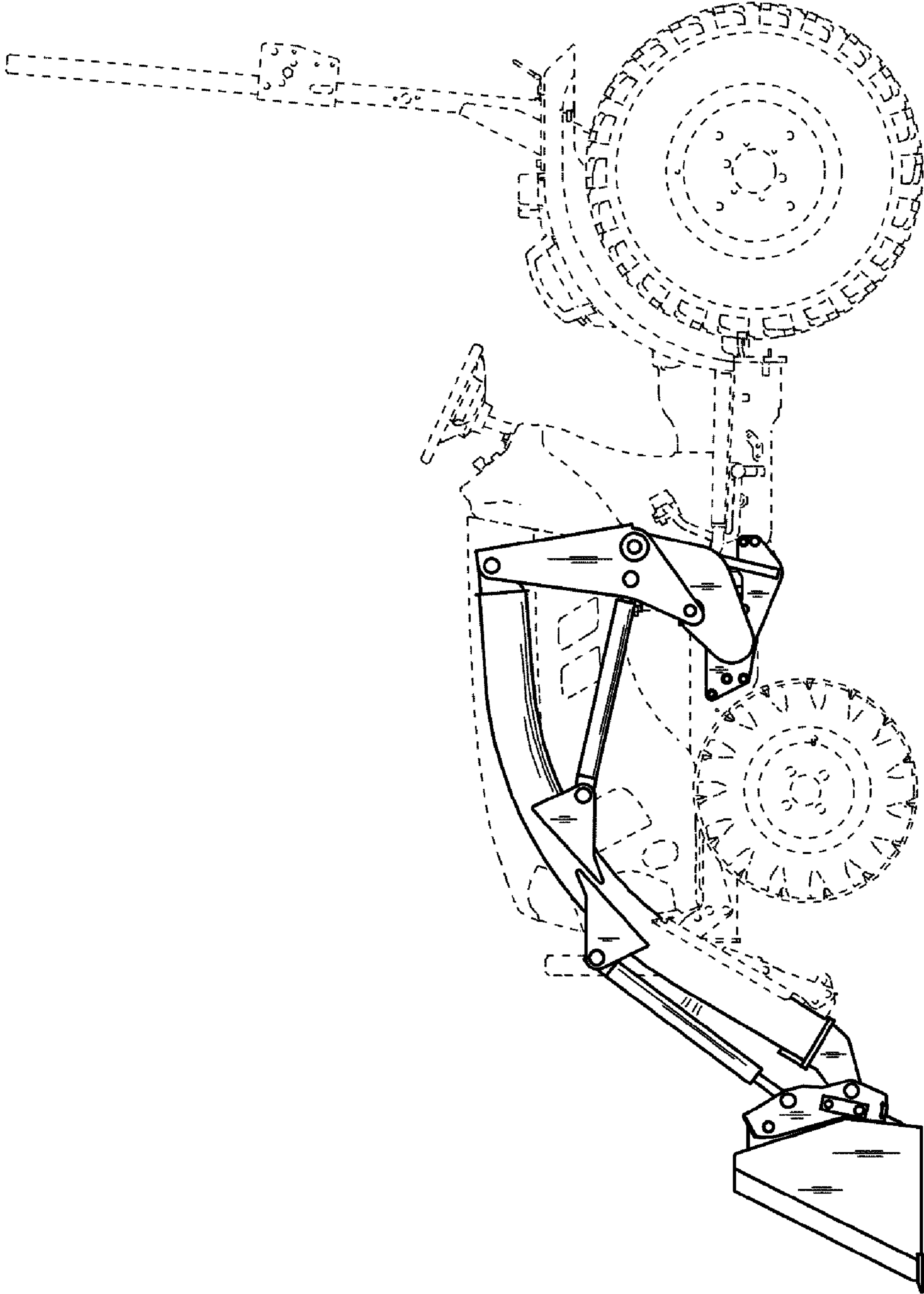


FIG. 7