



US00D610169S

(12) **United States Design Patent**
Schmidt

(10) **Patent No.:** **US D610,169 S**

(45) **Date of Patent:** **** Feb. 16, 2010**

(54) **CONSTRUCTION MACHINE**

D464,661 S * 10/2002 Dahl et al. D15/23

(75) Inventor: **Hans-Heinrich Schmidt,**
Lichtenfels-Sachsenberg (DE)

(73) Assignee: **Weidemann GmbH,** Diemelsee (DE)

(**) Term: **14 Years**

(21) Appl. No.: **29/315,584**

(22) Filed: **Jul. 7, 2009**

FOREIGN PATENT DOCUMENTS

EP	496872-0001	3/2006
EP	496872-0003	3/2006
EP	496872-0005	3/2006

(Continued)

Related U.S. Application Data

(62) Division of application No. 29/313,409, filed on Jan. 2, 2009.

(51) **LOC (9) Cl.** **12-09**

(52) **U.S. Cl.** **D15/23**

(58) **Field of Classification Search** D15/10,
D15/22-26; D34/28, 34; 37/407, 442; 414/685,
414/694, 722; 296/190; 180/89.1, 89.12
See application file for complete search history.

Primary Examiner—Stella M Reid

Assistant Examiner—Mark A Goodwin

(74) *Attorney, Agent, or Firm*—D. Peter Hochberg; Sean F. Mellino; Daniel J. Smola

(57) **CLAIM**

The ornamental design for construction machine, as shown and described.

(56) **References Cited**

U.S. PATENT DOCUMENTS

D172,069	S	*	4/1954	Wagner	D15/25
D202,365	S	*	9/1965	Kimball	D15/22
3,426,720	A	*	2/1969	Enos	440/12.66
3,446,302	A	*	5/1969	Schoonover	180/9.1
D217,661	S	*	5/1970	McCawley	D15/25
3,521,719	A	*	7/1970	Forpahl	180/235
3,805,908	A	*	4/1974	Thompson	180/235
3,888,372	A	*	6/1975	Gorby et al.	414/713
D240,155	S	*	6/1976	Burns et al.	D15/12
D271,397	S	*	11/1983	Kuhn et al.	D15/25
D297,539	S	*	9/1988	Morita et al.	D15/23
D361,576	S	*	8/1995	Matsubara et al.	D15/25
D364,408	S	*	11/1995	Bryant et al.	D15/25
D405,807	S	*	2/1999	Amy et al.	D15/25
D412,506	S	*	8/1999	Boyer et al.	D15/25
D438,359	S	*	2/2001	Braud	D34/34
D460,085	S	*	7/2002	Crookes et al.	D15/25
D463,805	S	*	10/2002	Witte et al.	D15/23

DESCRIPTION

FIG. 1 is a side view of a construction machine according to my new design;

FIG. 2 is a side view of the construction machine, as shown in FIG. 1, shown from the opposite side as that shown in FIG. 1;

FIG. 3 is a front view of the construction machine as shown in FIG. 1;

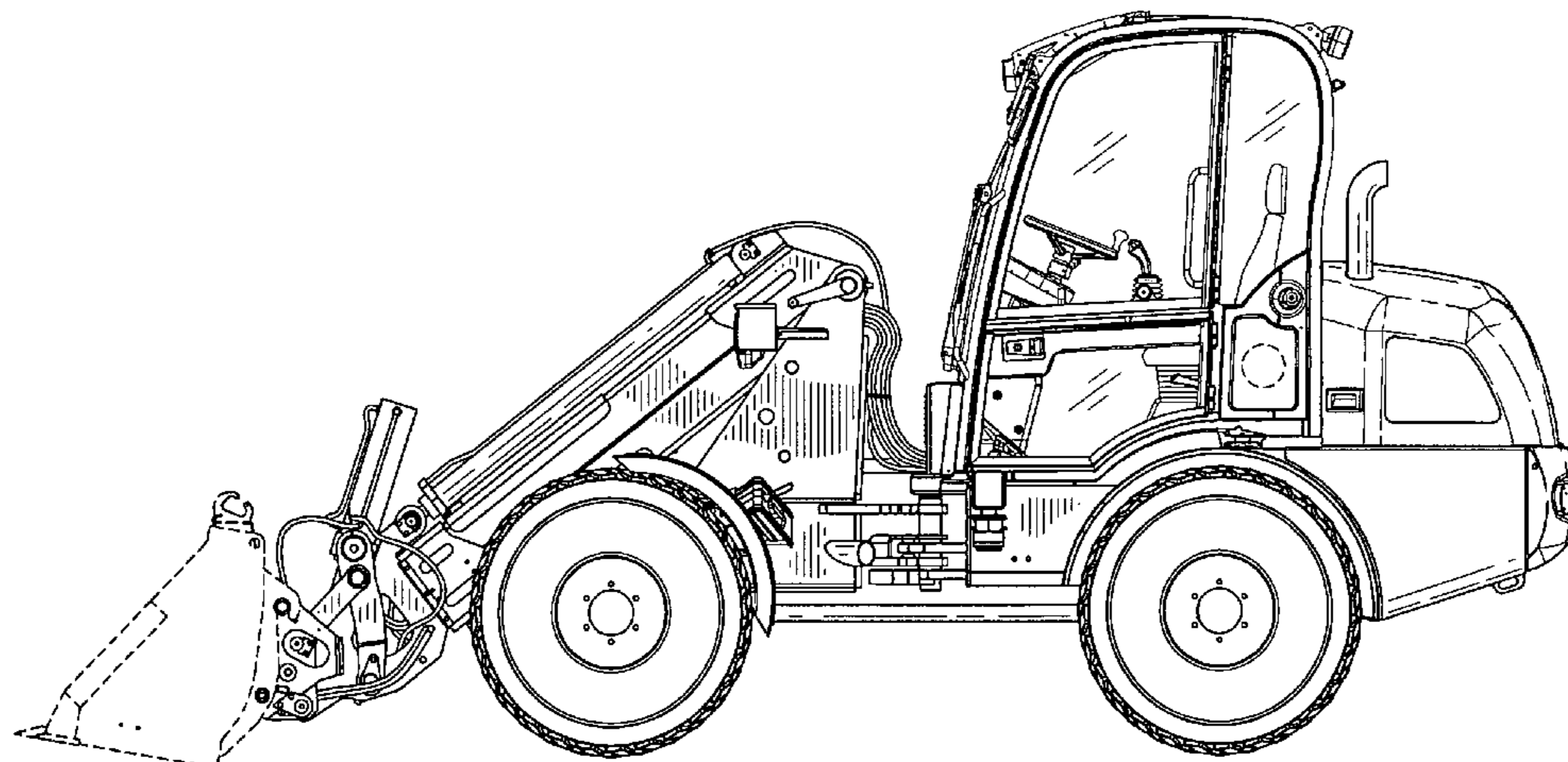
FIG. 4 is a rear view of the construction machine as shown in FIG. 1;

FIG. 5 is a top view of the construction machine as shown in FIG. 1; and,

FIG. 6 is a bottom view of the construction machine as shown in FIG. 1.

The portion of the construction machine shown in broken lines in FIGS. 1-2 and 4 forms no part of the claimed design.

1 Claim, 5 Drawing Sheets



US D610,169 S

Page 2

FOREIGN PATENT DOCUMENTS			EP	496872-0009	3/2006
EP	496872-0006	3/2006	EP	496872-0004	4/2006
EP	496872-0007	3/2006			
EP	496872-0008	3/2006			

* cited by examiner

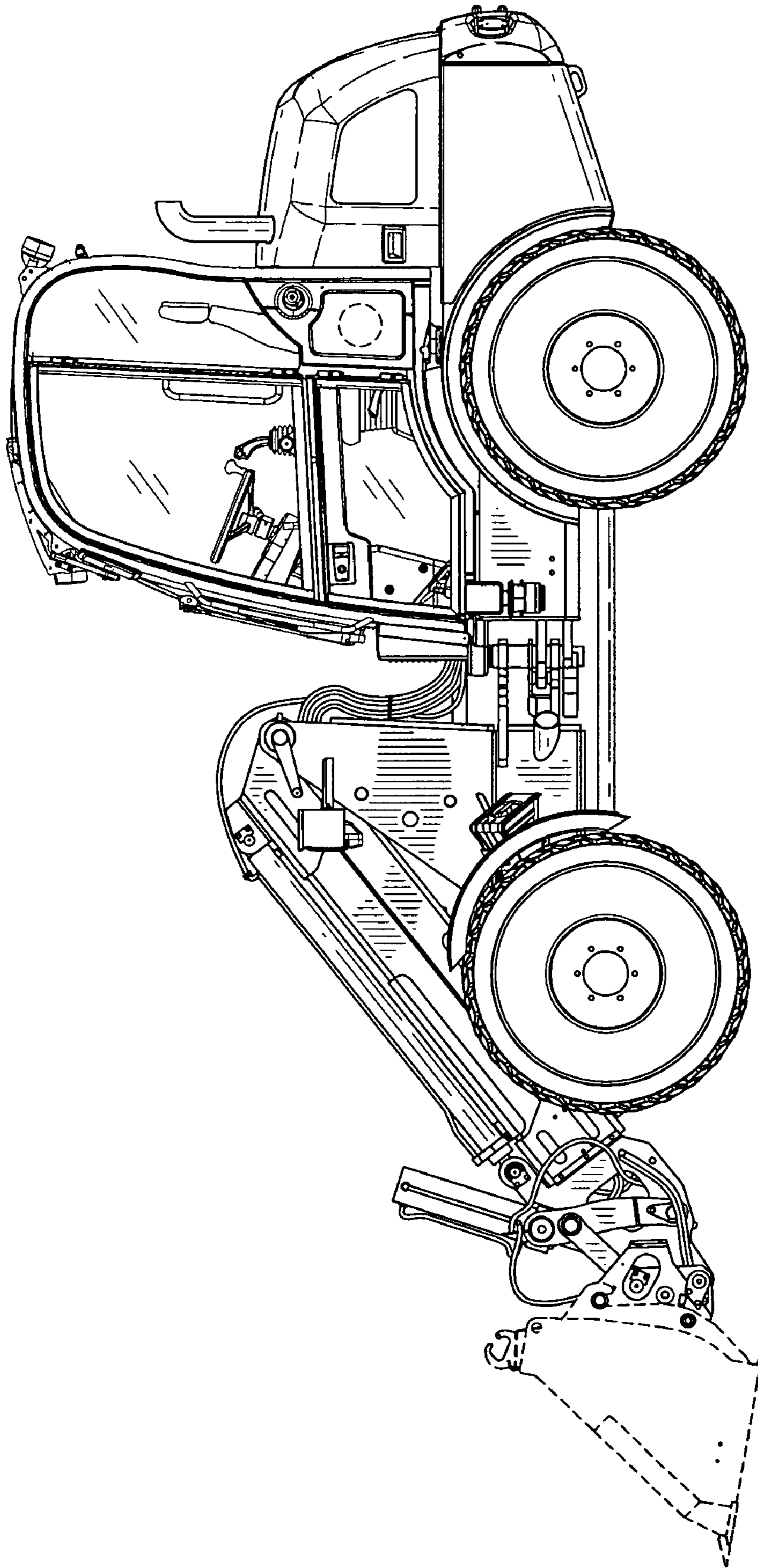


FIG-1

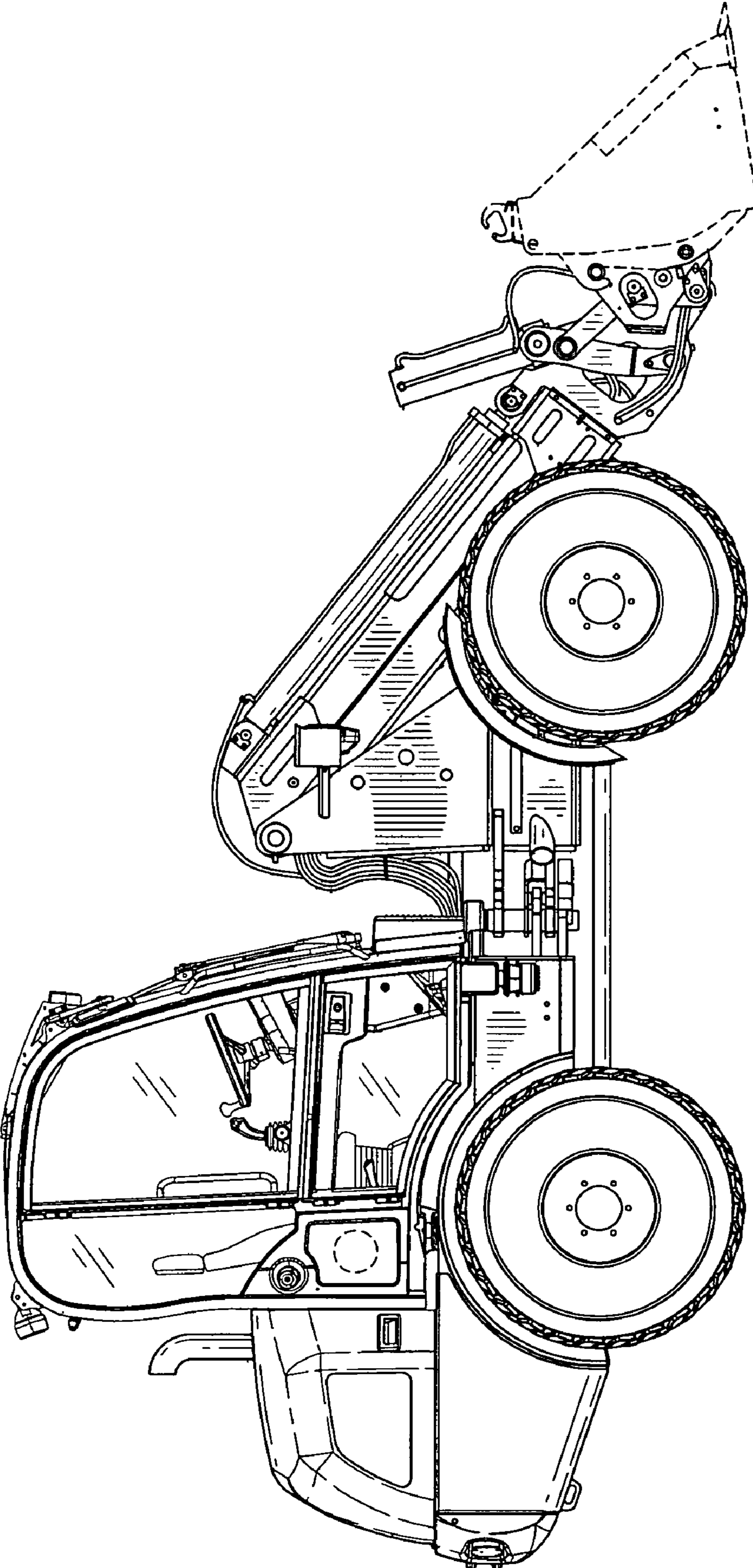


FIG-2

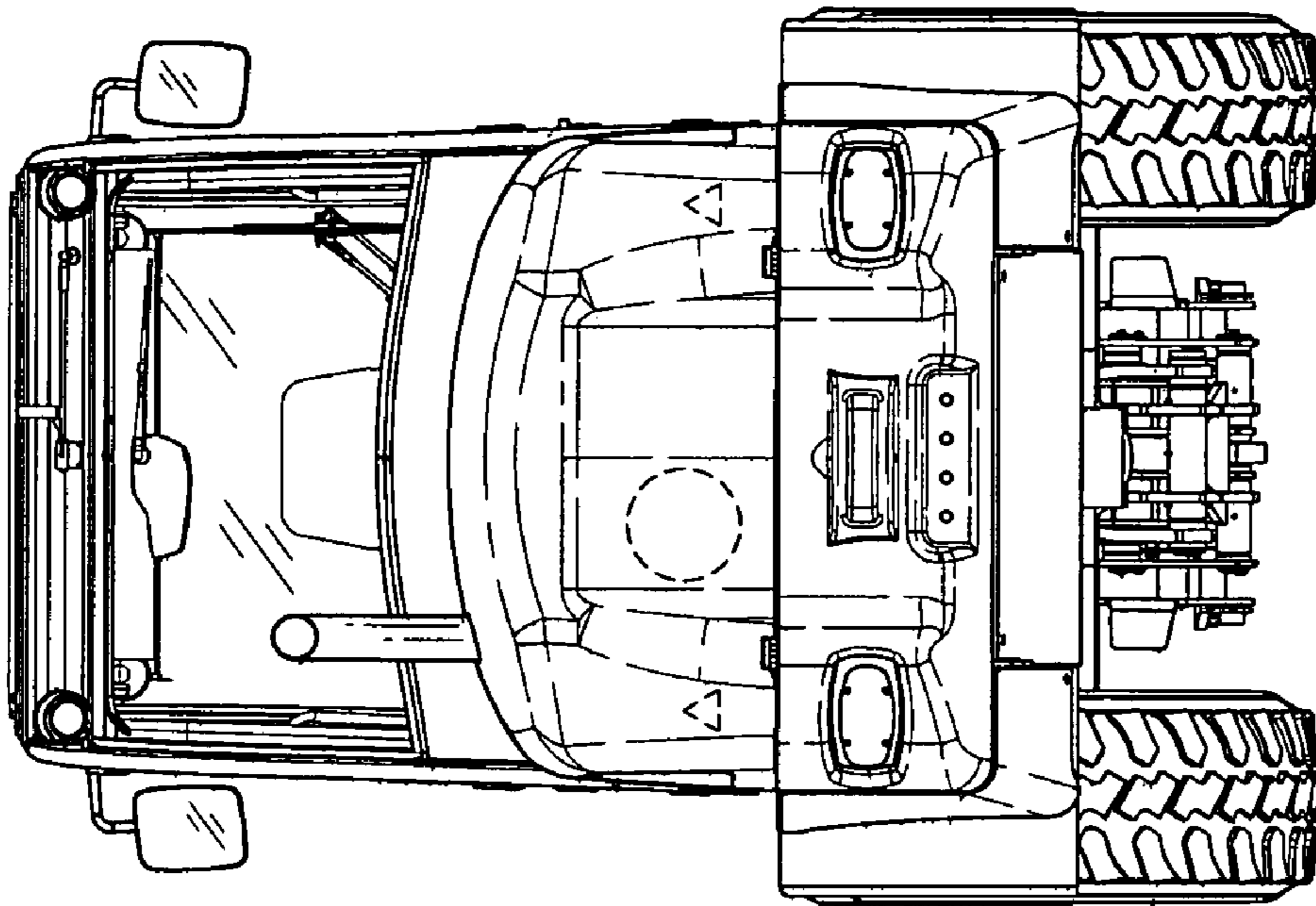


FIG-4

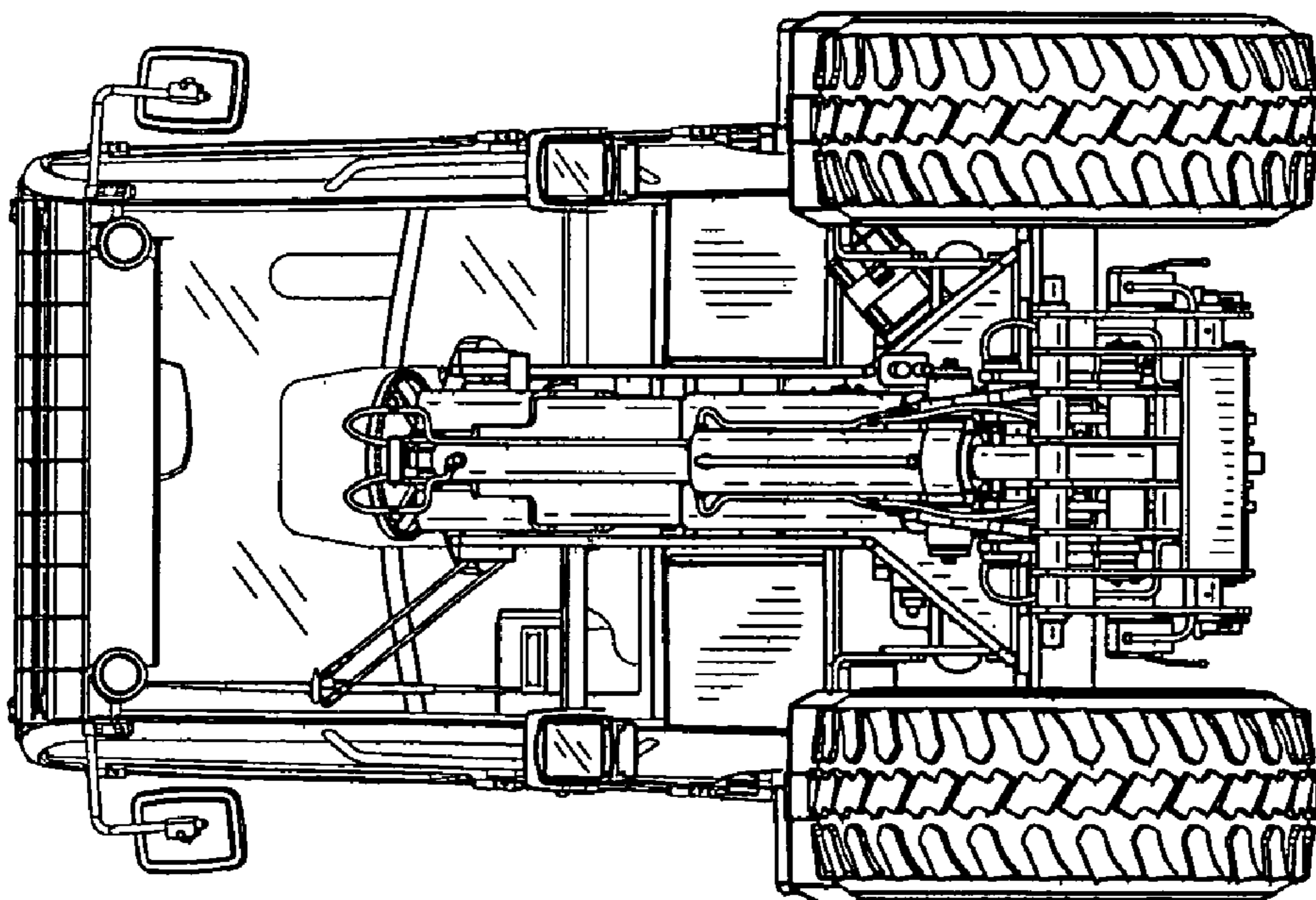


FIG-3

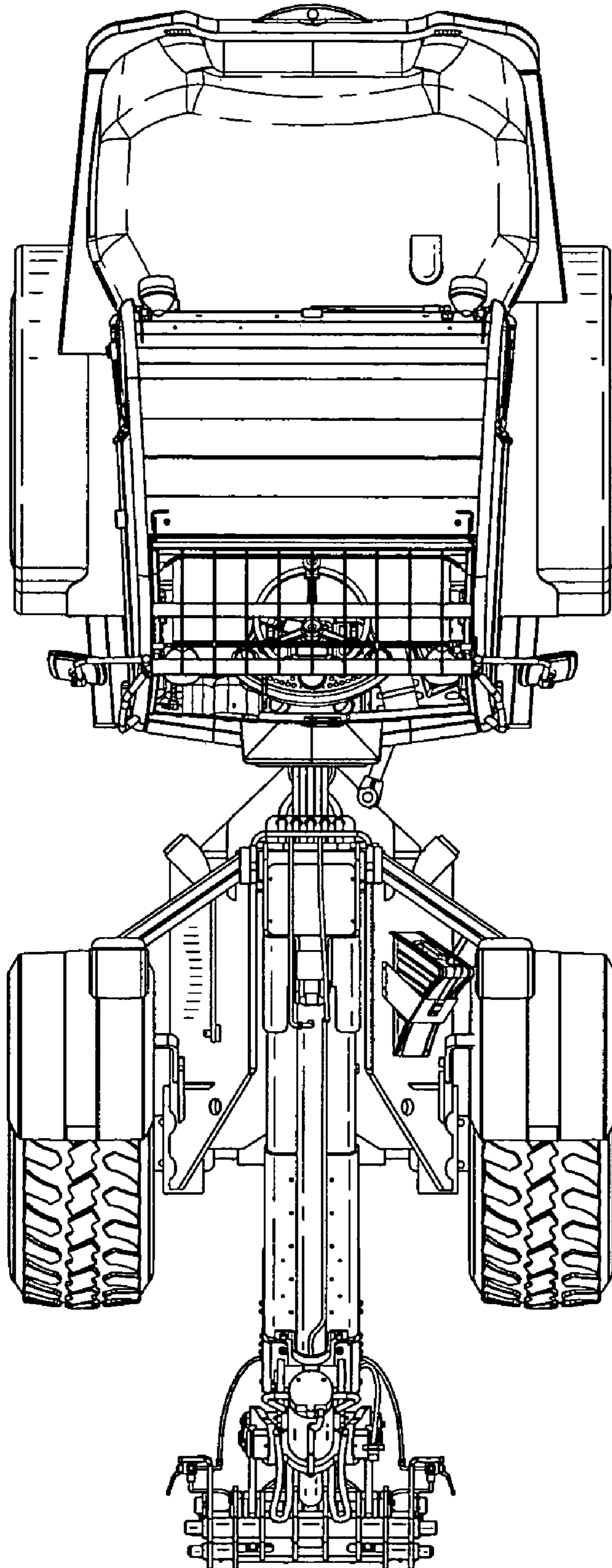


FIG-5

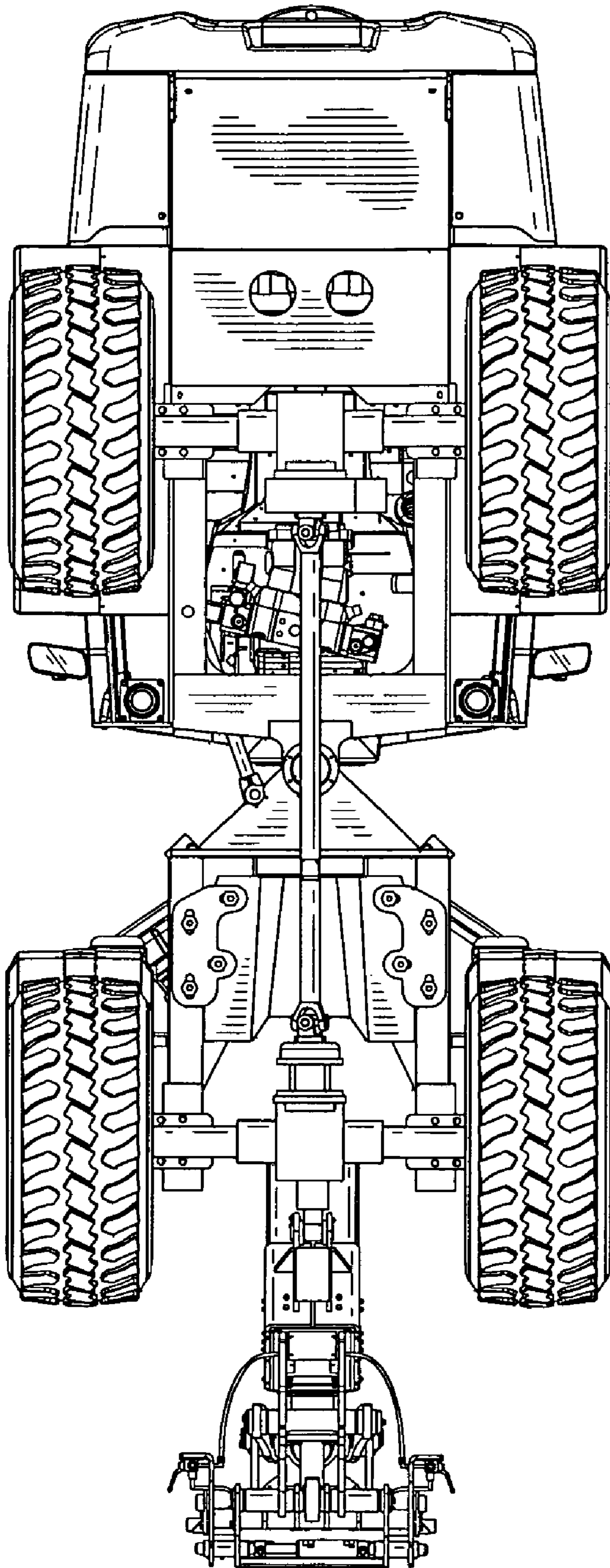


FIG-6

UNITED STATES PATENT AND TRADEMARK OFFICE
CERTIFICATE OF CORRECTION

PATENT NO. : Des. 610,169 S
APPLICATION NO. : 29/315584
DATED : February 16, 2010
INVENTOR(S) : Hans-Heinrich Schmidt

Page 1 of 1

It is certified that error appears in the above-identified patent and that said Letters Patent is hereby corrected as shown below:

On the cover page, column 1:

At item (62) under "Related U.S. Application Data," after "2009" insert --, which is a continuation-in-part of application No. 29/266,033 filed on Sept. 13, 2006, now abandoned--.

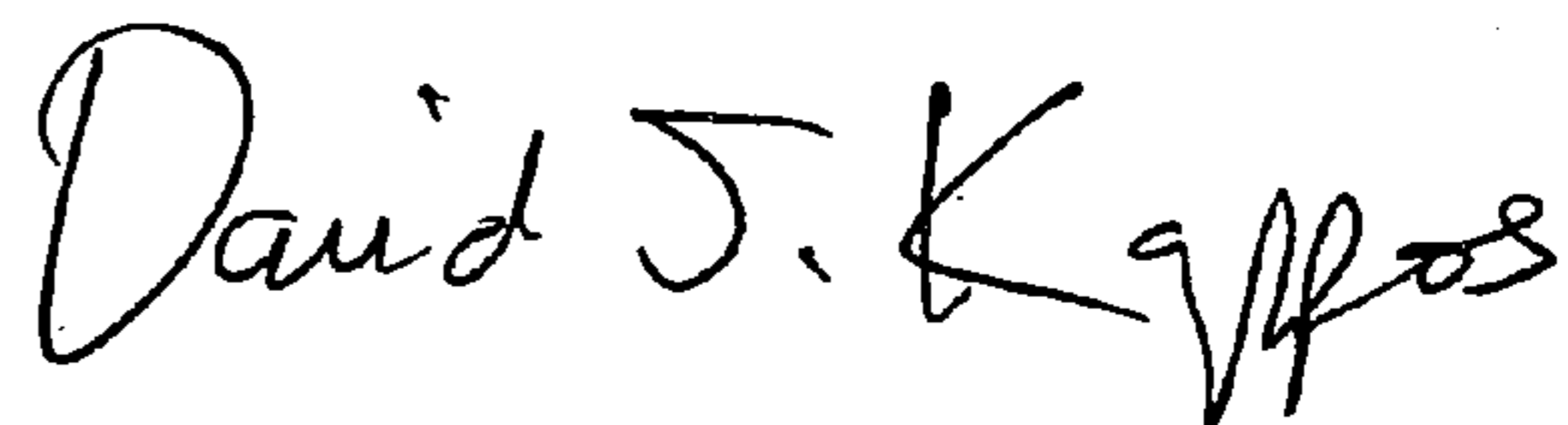
After item (62) insert the following heading and list of foreign applications:

--Foreign Application Priority Data

Mar. 13, 2006	(EM)	496872-0001
Mar. 13, 2006	(EM)	496872-0003
Mar. 13, 2006	(EM)	496872-0004
Mar. 13, 2006	(EM)	496872-0005
Mar. 13, 2006	(EM)	496872-0006
Mar. 13, 2006	(EM)	496872-0007
Mar. 13, 2006	(EM)	496872-0008
Mar. 13, 2006	(EM)	496872-0009--.

Signed and Sealed this

Twentieth Day of April, 2010



David J. Kappos
Director of the United States Patent and Trademark Office