



US00D610167S

(12) **United States Design Patent**  
**Martin et al.**

(10) **Patent No.:** **US D610,167 S**  
(45) **Date of Patent:** **\*\* Feb. 16, 2010**

- (54) **POWER LAWN MOWER**
  - (75) Inventors: **David J. Martin**, Eden Prairie, MN (US); **Chris A. Wadzinski**, Grove Heights, MN (US)
  - (73) Assignee: **The Toro Company**, Bloomington, MN (US)
  - (\*\*) Term: **14 Years**
  - (21) Appl. No.: **29/327,946**
  - (22) Filed: **Nov. 14, 2008**
  - (51) **LOC (9) Cl.** ..... **15-03**
  - (52) **U.S. Cl.** ..... **D15/14**
  - (58) **Field of Classification Search** ..... D15/10, D15/14-16; 56/11.9, 16.7, 17.1, 17.4, 17.5, 56/202, 254, 255, 320.1, 320.2, 294, 295, 56/12.8, 13.4, 11.4
- See application file for complete search history.

D381,665 S *	7/1997	Hinklin et al.	.....	D15/14
D384,083 S *	9/1997	Hinklin	.....	D15/14
5,676,117 A *	10/1997	Williams	.....	123/527
D421,265 S *	2/2000	Ohsumi et al.	.....	D15/14
D449,840 S *	10/2001	Concari et al.	.....	D15/14
D450,064 S *	11/2001	Concari et al.	.....	D15/14
D456,030 S *	4/2002	Maeda	.....	D15/14
D460,973 S *	7/2002	Jong	.....	D15/14
D489,734 S *	5/2004	Lin	.....	D15/14
D497,918 S *	11/2004	Osborne et al.	.....	D15/14
D500,054 S *	12/2004	Jager	.....	D15/14

\* cited by examiner

*Primary Examiner*—Stella M Reid

*Assistant Examiner*—Mark A Goodwin

(74) *Attorney, Agent, or Firm*—James W. Miller

(56) **References Cited**

U.S. PATENT DOCUMENTS

4,312,174 A *	1/1982	Vanderhoef	.....	56/320.2
D274,250 S *	6/1984	Allen et al.	.....	D15/14
D276,047 S *	10/1984	Sasaki	.....	D15/14
D307,911 S *	5/1990	Miyawaki et al.	.....	D15/14
D317,165 S *	5/1991	Schweitz et al.	.....	D15/14
D319,447 S *	8/1991	Oshima et al.	.....	D15/14
D330,210 S *	10/1992	Sirois et al.	.....	D15/14
5,251,711 A *	10/1993	Meyer et al.	.....	180/19.1

(57) **CLAIM**

The ornamental design for a power lawn mower, as shown and described.

**DESCRIPTION**

FIG. 1 is a top left front perspective view of a power lawn mower showing our new design;

FIG. 2 is an enlarged front elevational view thereof;

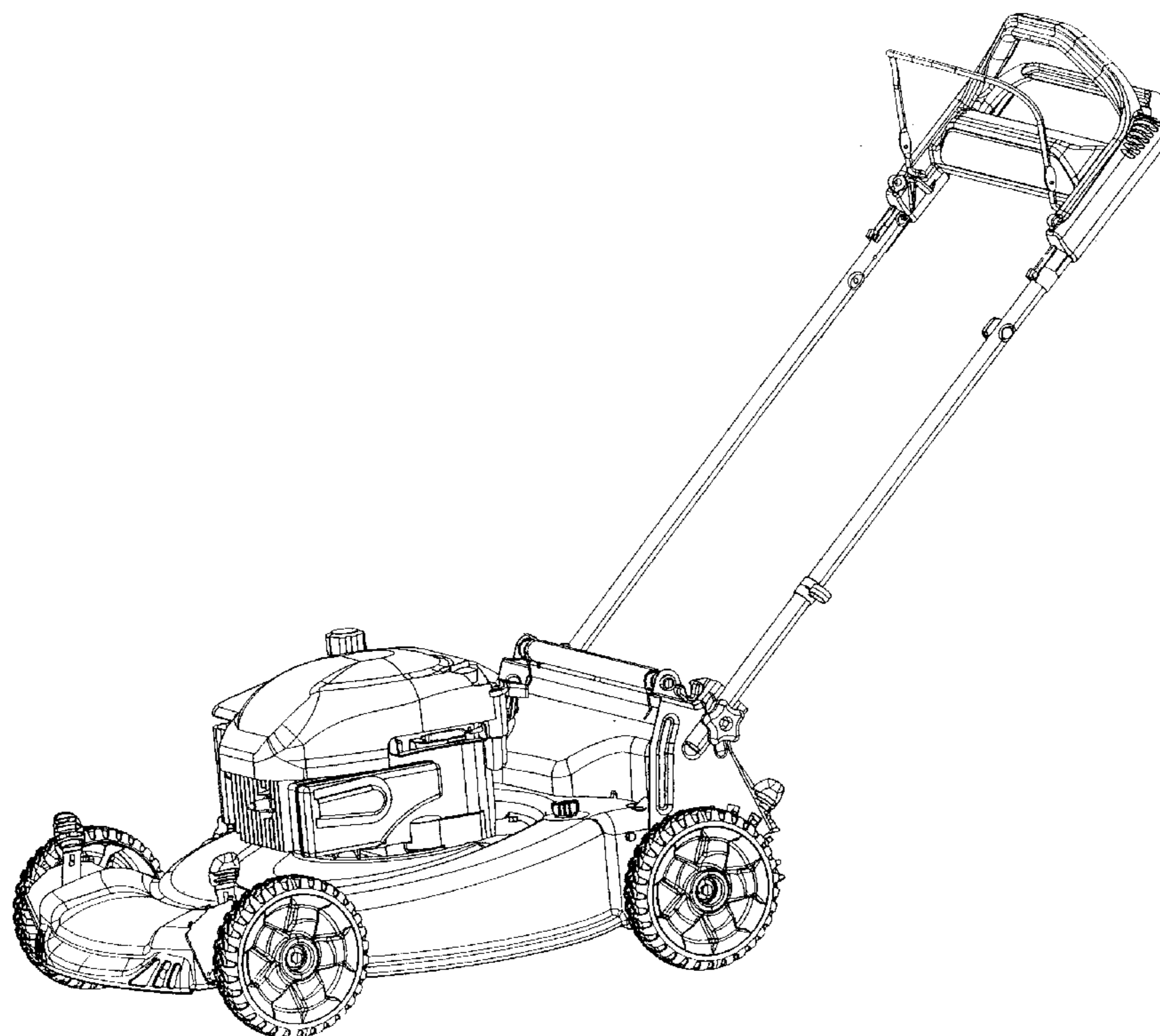
FIG. 3 is a reduced left elevational view thereof;

FIG. 4 is a reduced right elevational view thereof;

FIG. 5 is an enlarged back elevational view thereof; and,

FIG. 6 is a reduced top plan view thereof.

**1 Claim, 6 Drawing Sheets**



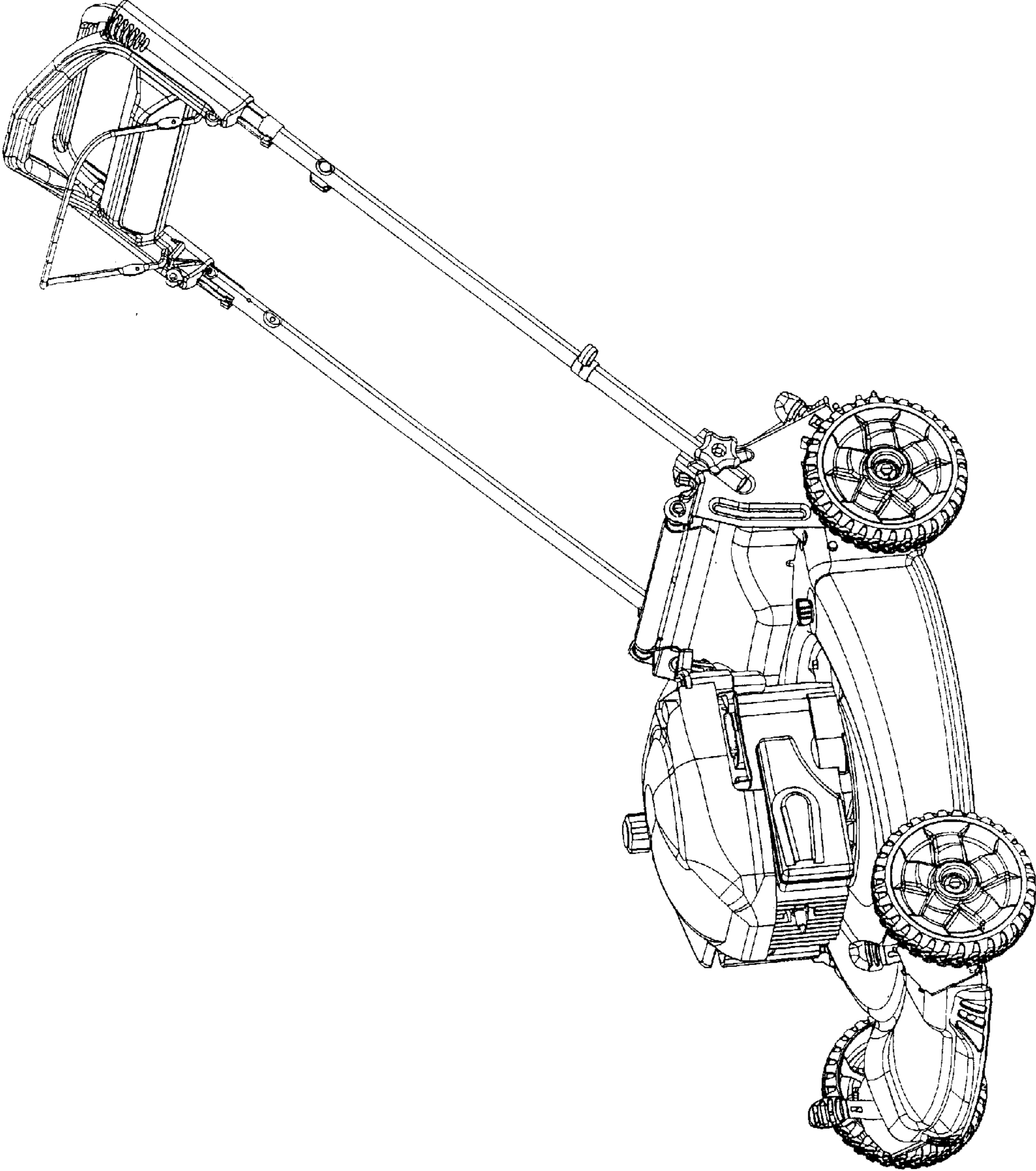


Fig. 1

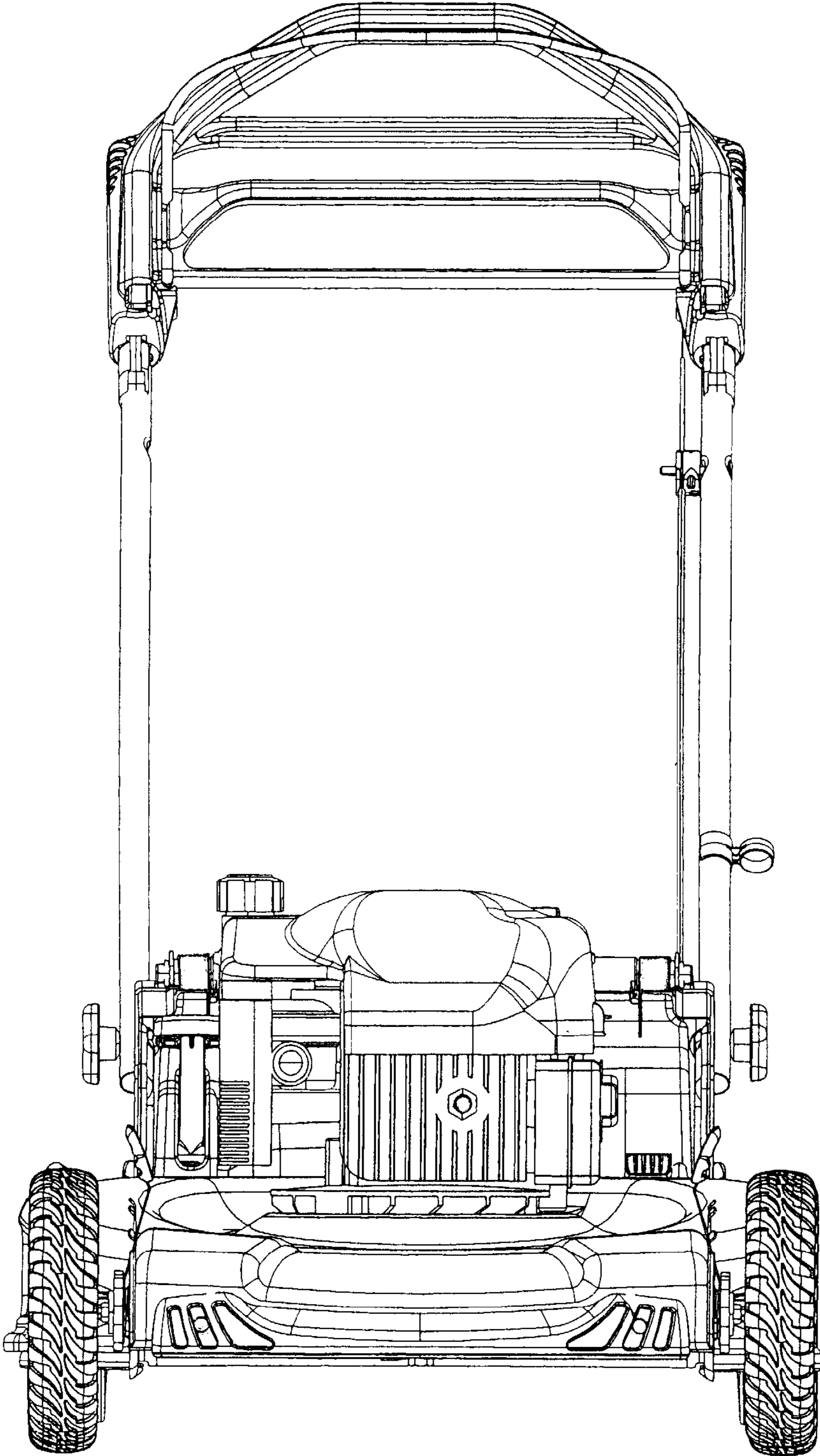


Fig. 2

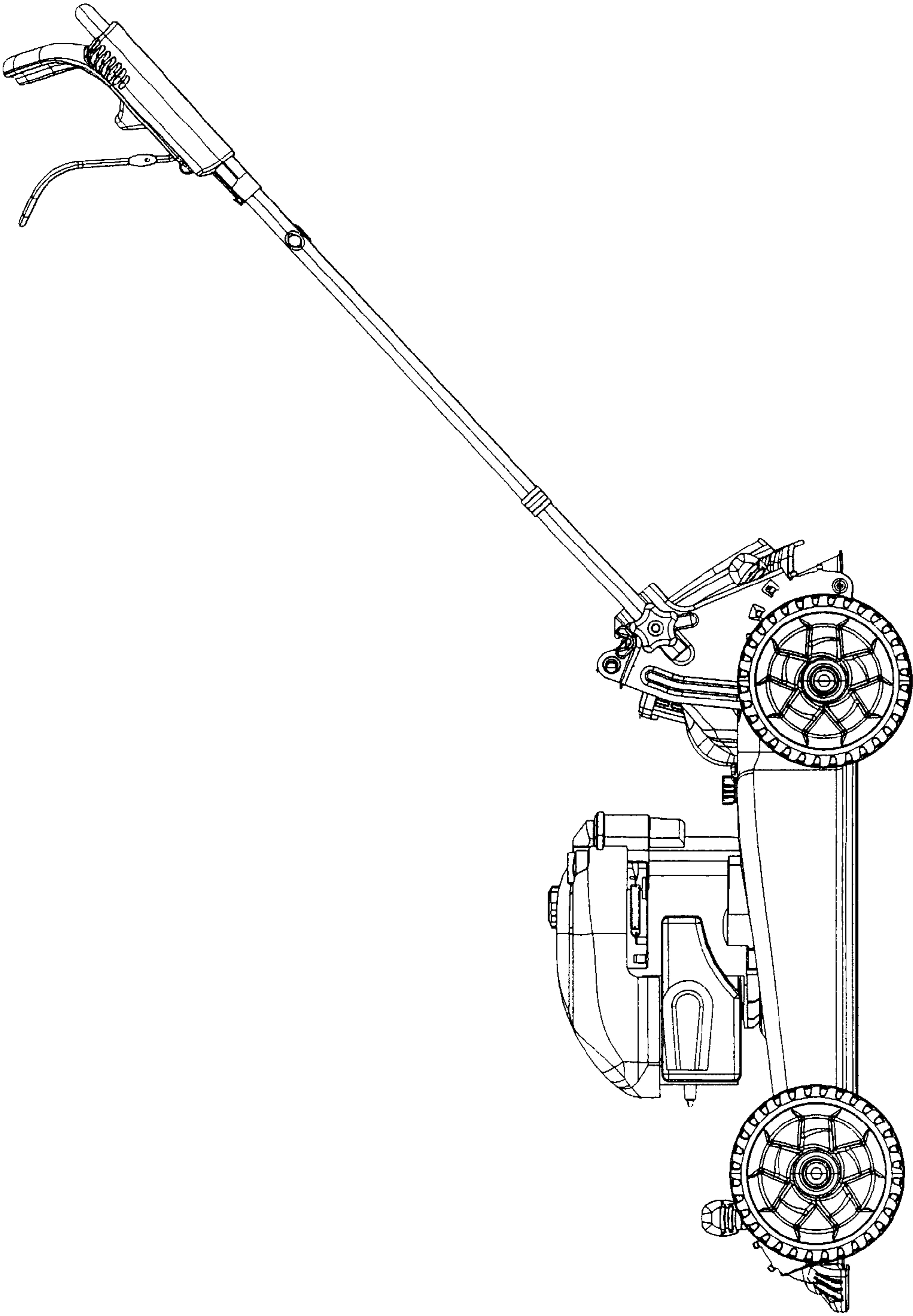


Fig. 3

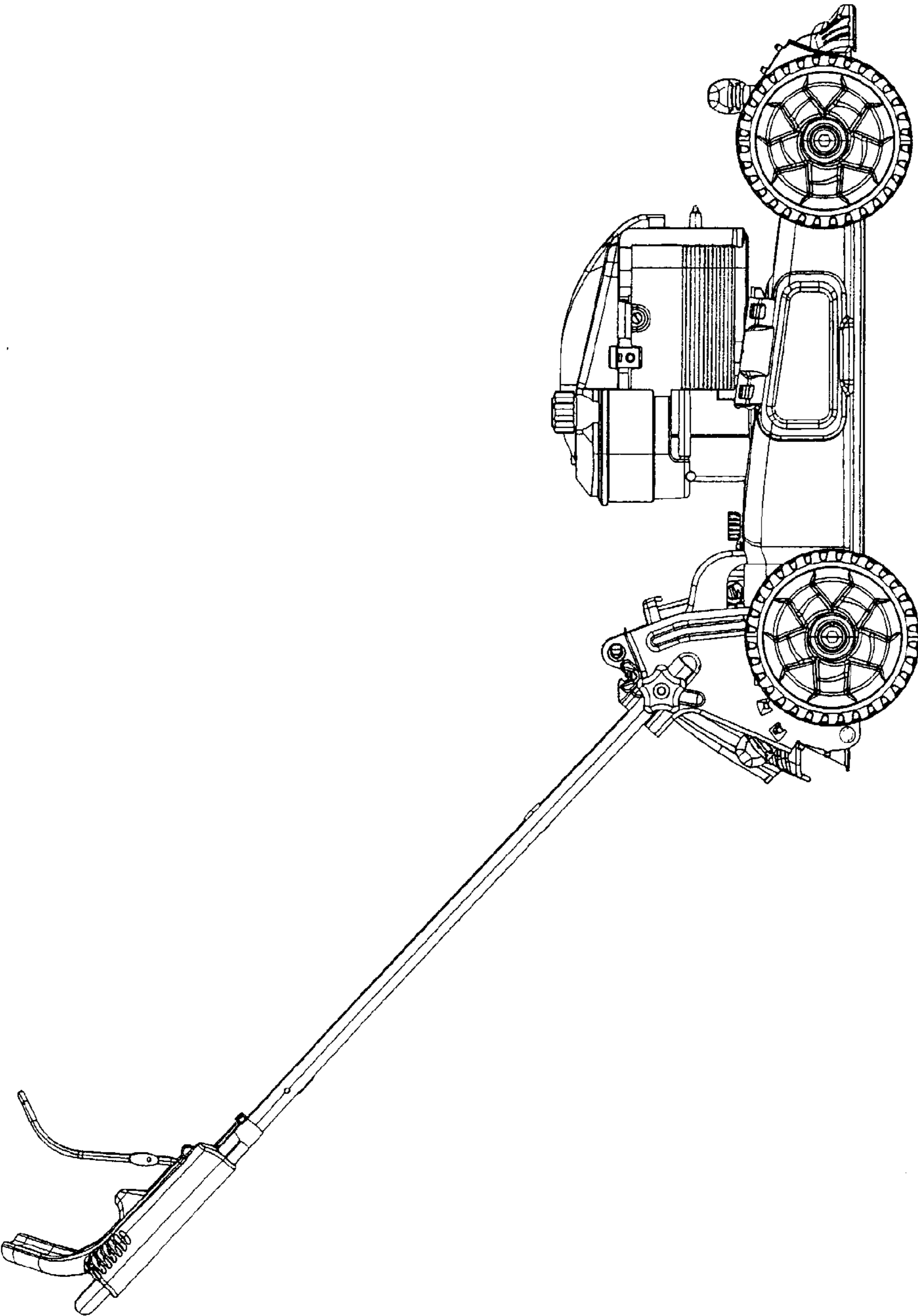


Fig. 4

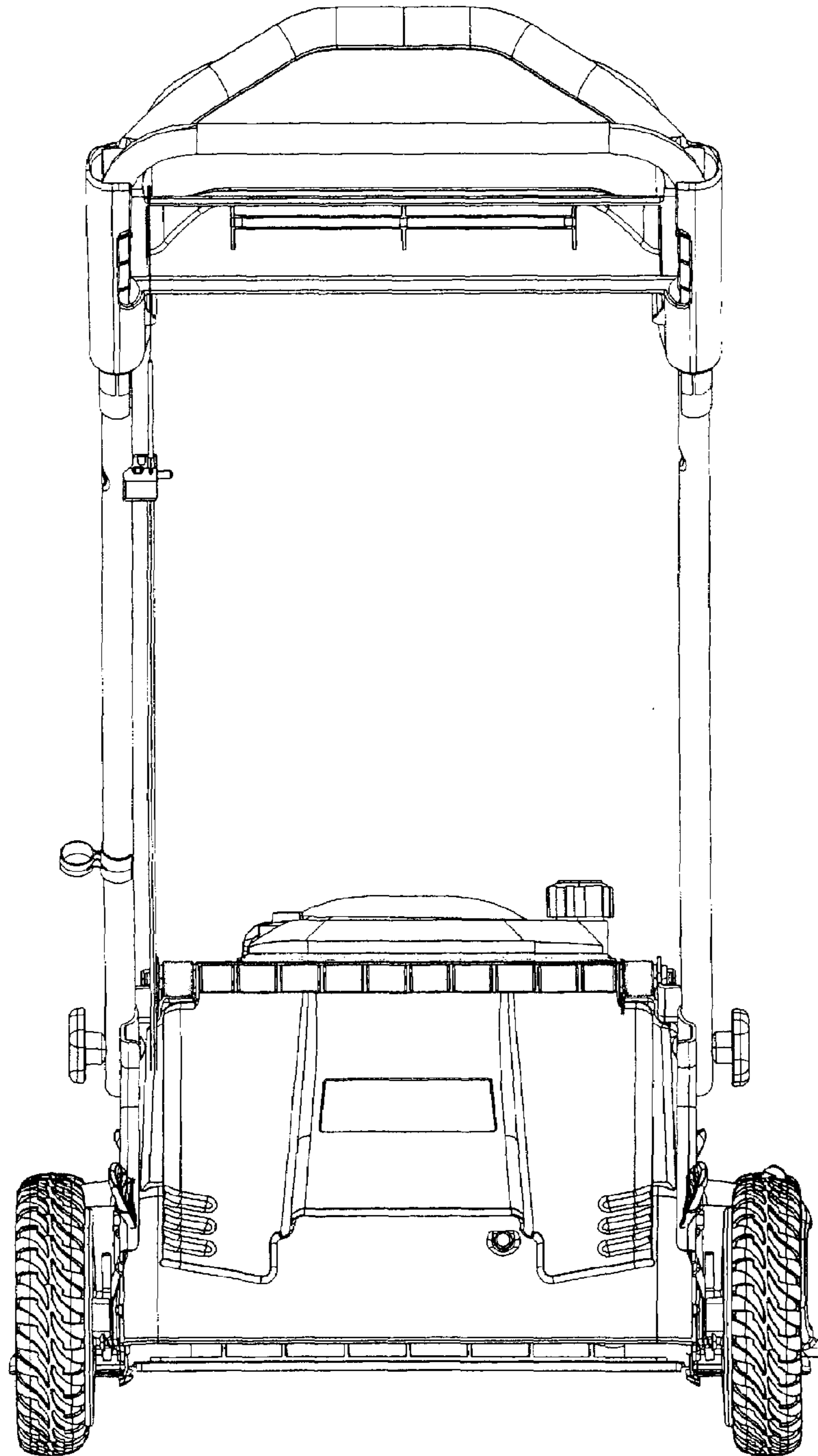


Fig. 5

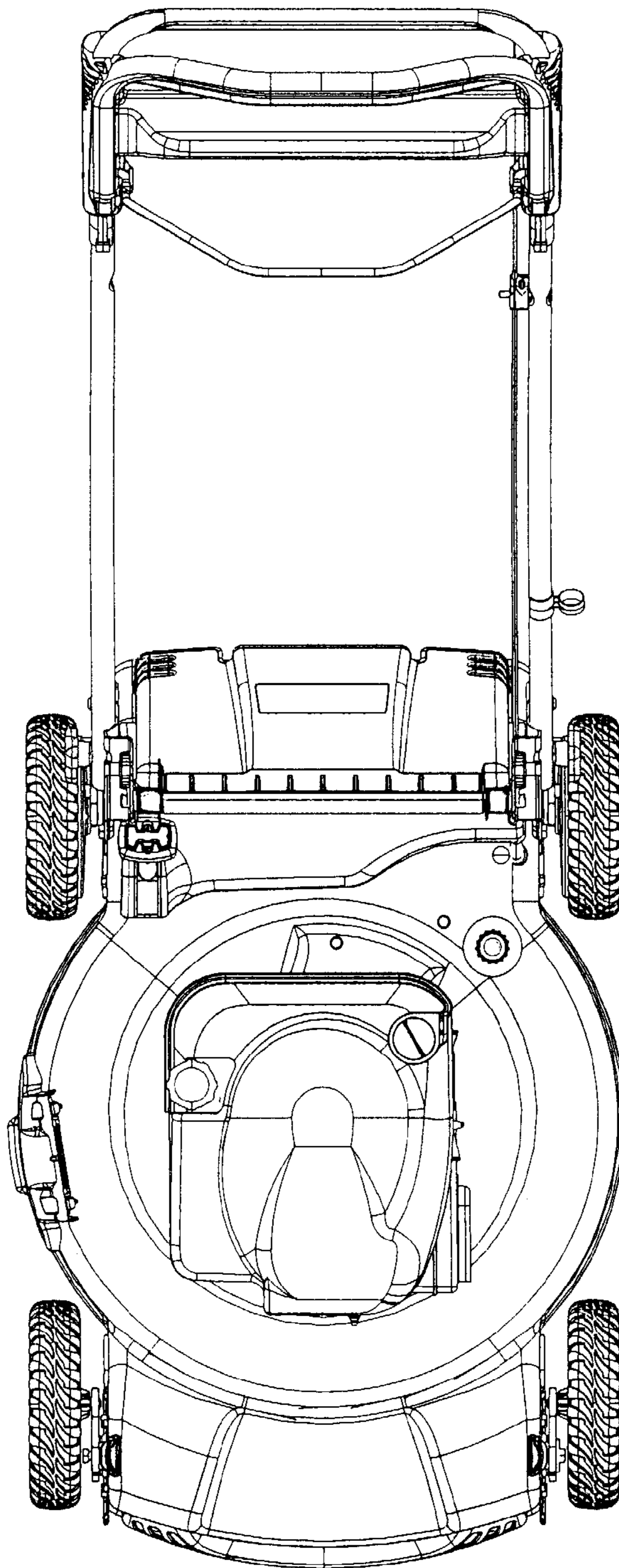


Fig. 6