



US00D610162S

(12) **United States Design Patent**
Shiono et al.

(10) **Patent No.:** **US D610,162 S**

(45) **Date of Patent:** **** Feb. 16, 2010**

(54) **DISC PLAYER**

(75) Inventors: **Daisuke Shiono**, Tokyo (JP); **Hiroaki Yokoyama**, Tokyo (JP)

(73) Assignee: **Sony Corporation**, Tokyo (JP)

(**) Term: **14 Years**

(21) Appl. No.: **29/292,828**

(22) Filed: **Oct. 30, 2007**

(30) **Foreign Application Priority Data**

Aug. 31, 2006 (CN) 2006 3 0136736

(51) **LOC (9) Cl.** **14-01**

(52) **U.S. Cl.** **D14/511; D14/257**

(58) **Field of Classification Search** D14/135,
D14/157, 168, 496, 498-505, 198, 188, 217,
D14/257, 258, 445, 511; 360/99.02, 99.07;
369/75.11, 75.21, 77.21, 77.11; 720/612,
720/619, 647, 655; 455/344, 347-351

See application file for complete search history.

(56) **References Cited**

U.S. PATENT DOCUMENTS

5,848,042 A * 12/1998 Takahashi et al. 720/647
D411,996 S 7/1999 Yamazaki
D437,841 S * 2/2001 Kakizaki et al. D14/157
D495,678 S 9/2004 Uehara
D496,648 S 9/2004 Uehara
D528,088 S 9/2006 Suzuki
D534,887 S * 1/2007 Endo et al. D14/505

* cited by examiner

Primary Examiner—Nanda Bondade

(74) *Attorney, Agent, or Firm*—Rader, Fishman & Grauer, PLLC

(57) **CLAIM**

The ornamental design for a disc player, as shown and described.

DESCRIPTION

FIG. 1 is a perspective view of an embodiment of a disc player showing our new design;

FIG. 2 is a front elevational view thereof;

FIG. 3 is a left side elevational view thereof;

FIG. 4 is a right side elevational view thereof;

FIG. 5 is a top plan view thereof;

FIG. 6 is a bottom plan view thereof;

FIG. 7 is a perspective view of another embodiment of a disc player showing our new design;

FIG. 8 is a front elevational view thereof;

FIG. 9 is a left side elevational view thereof;

FIG. 10 is a right side elevational view thereof;

FIG. 11 is a top plan view thereof; and,

FIG. 12 is a bottom plan view thereof.

The broken lines in Figures are for illustrative purposes only and form no part of the claimed design.

1 Claim, 12 Drawing Sheets

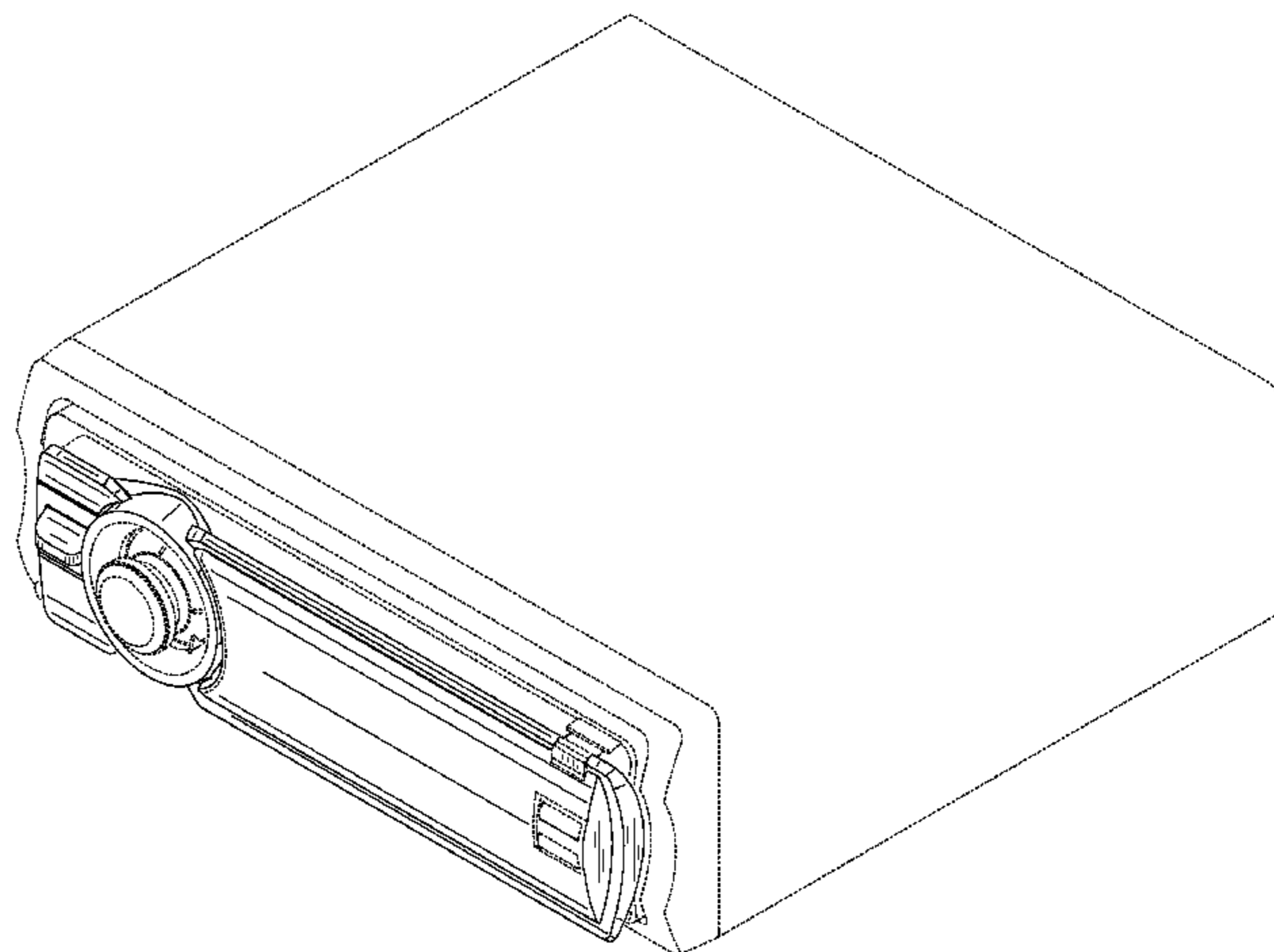
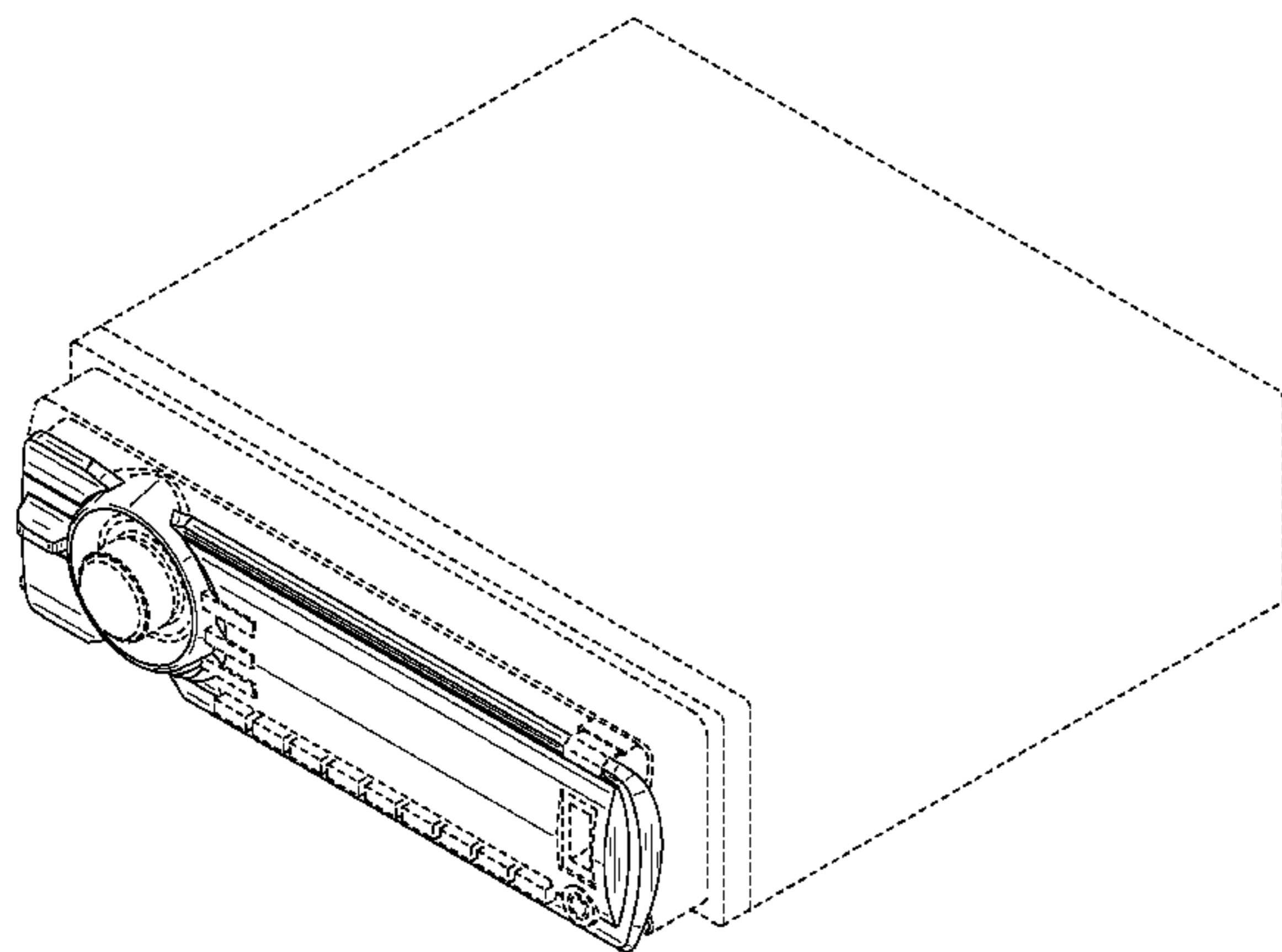


Fig.1

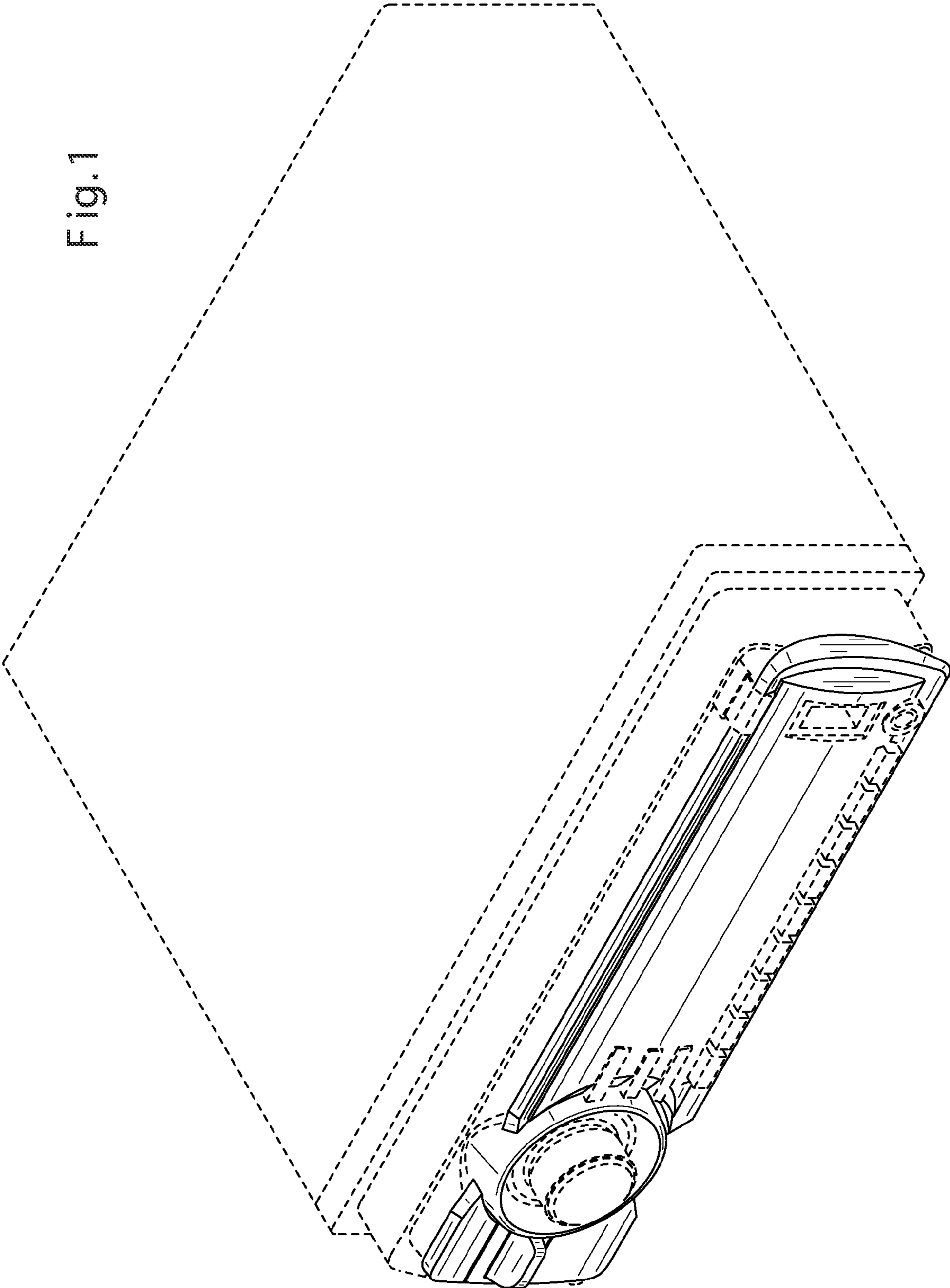


Fig.2

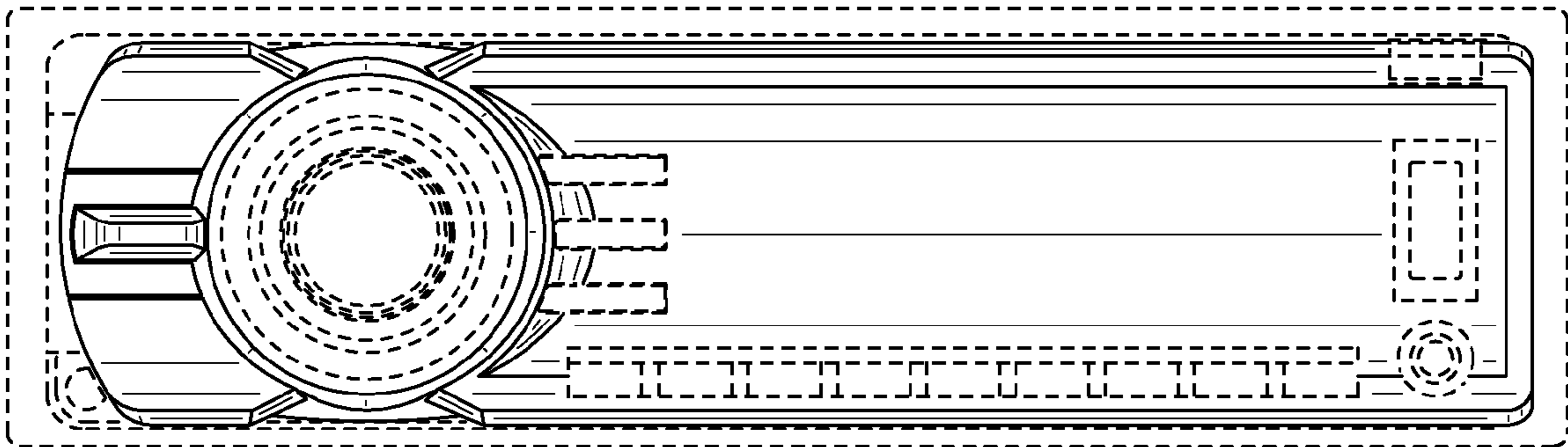


Fig. 3



Fig.4



Fig.5

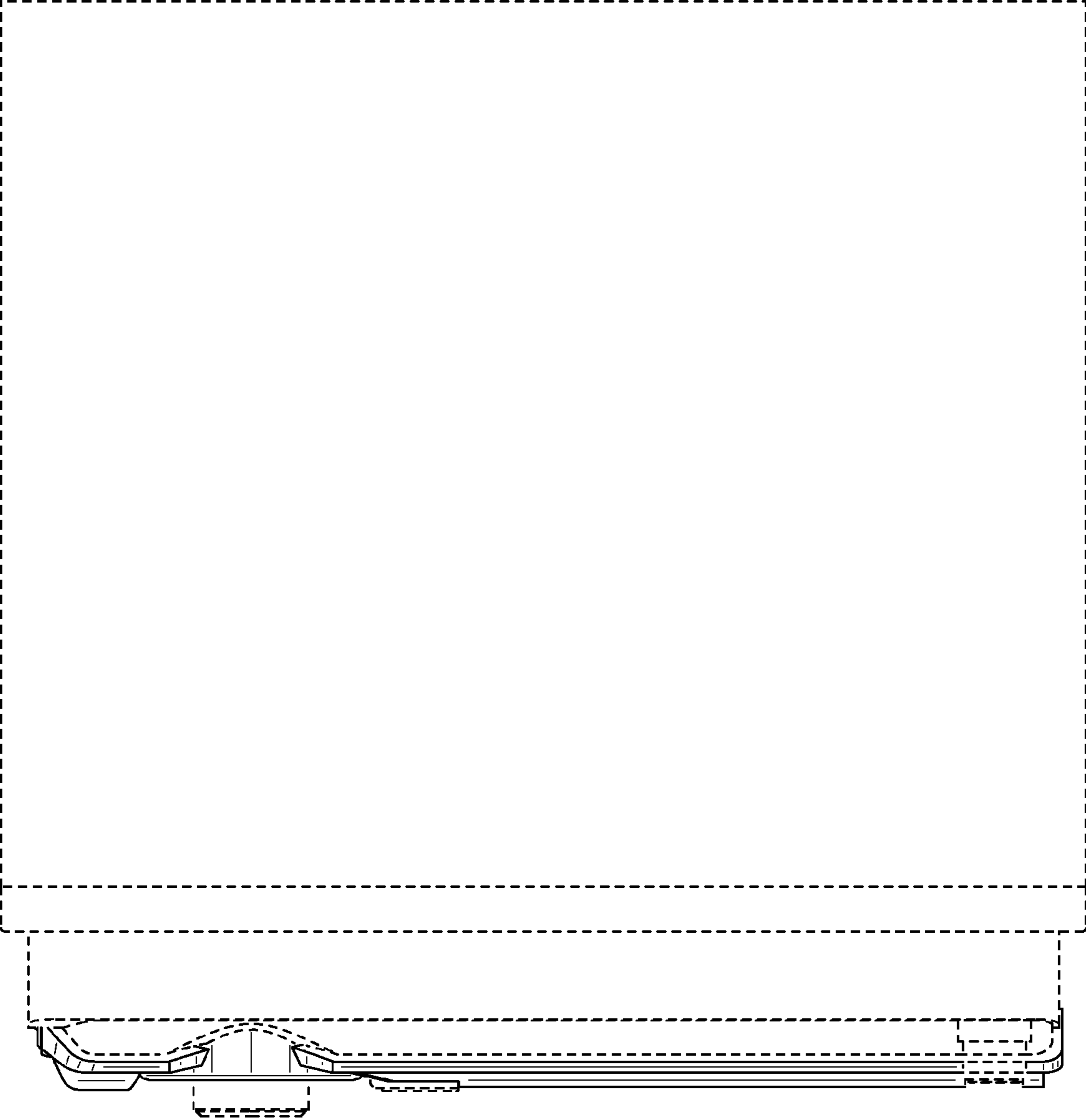
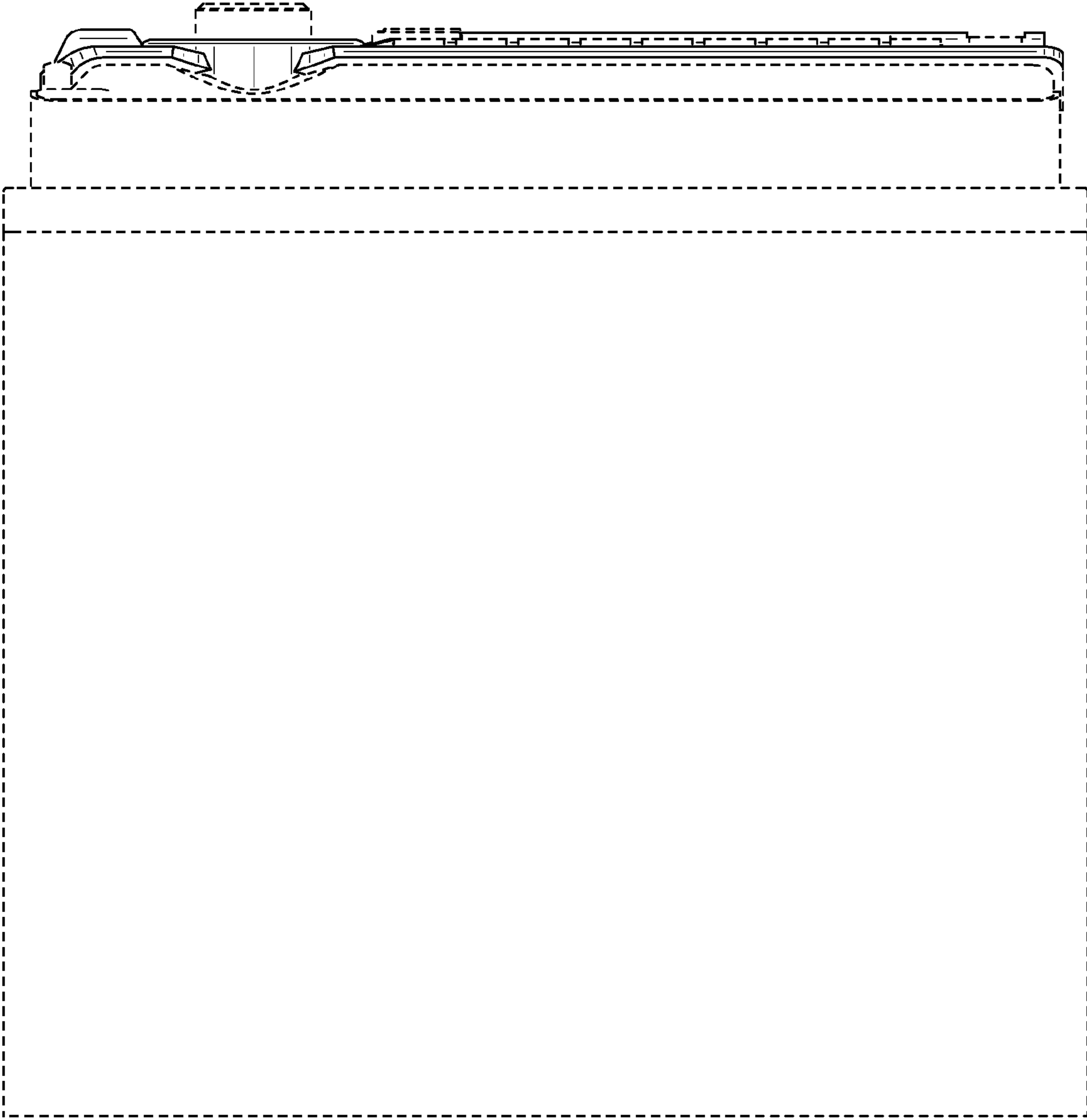


Fig.6



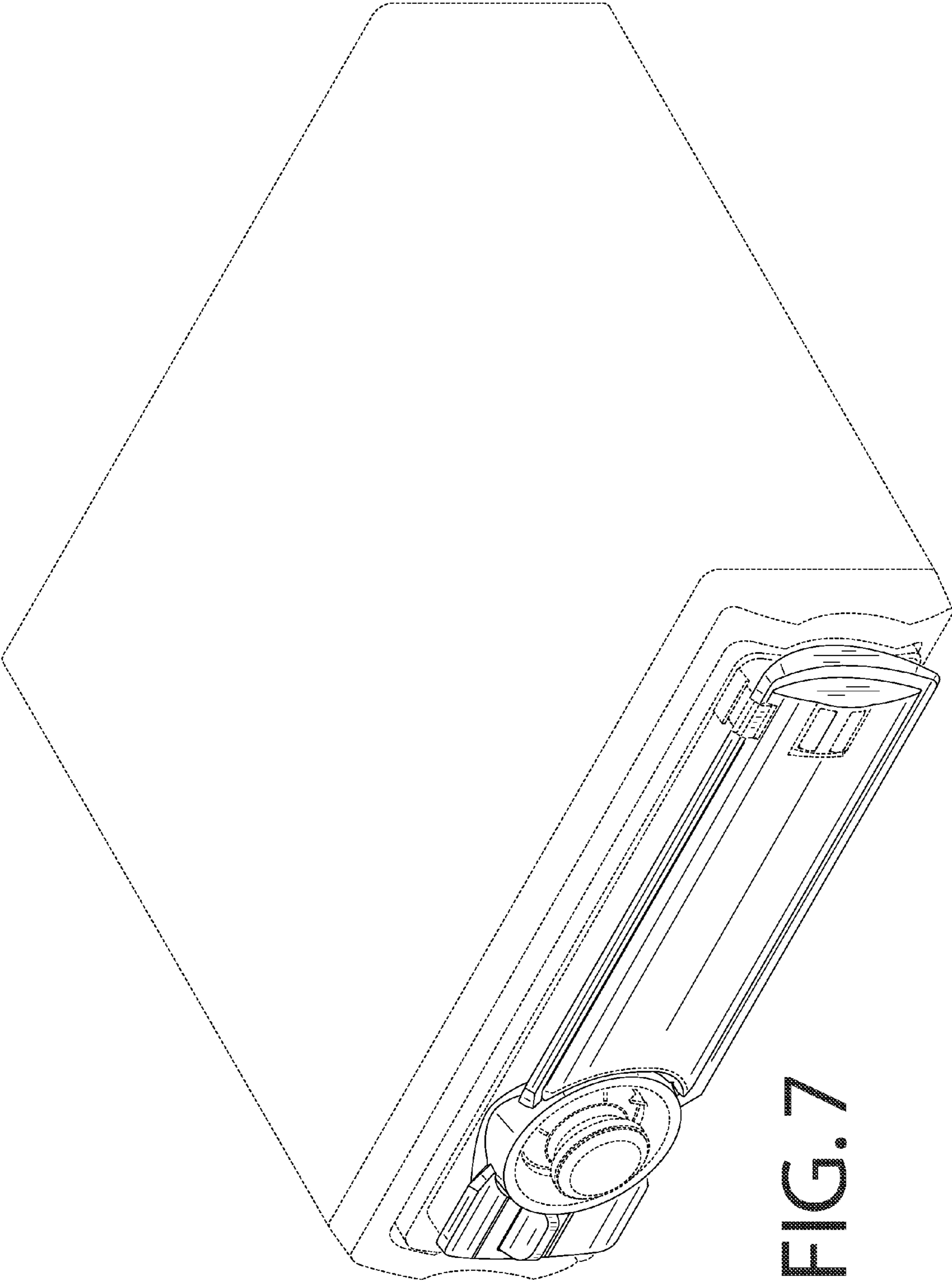


FIG. 7

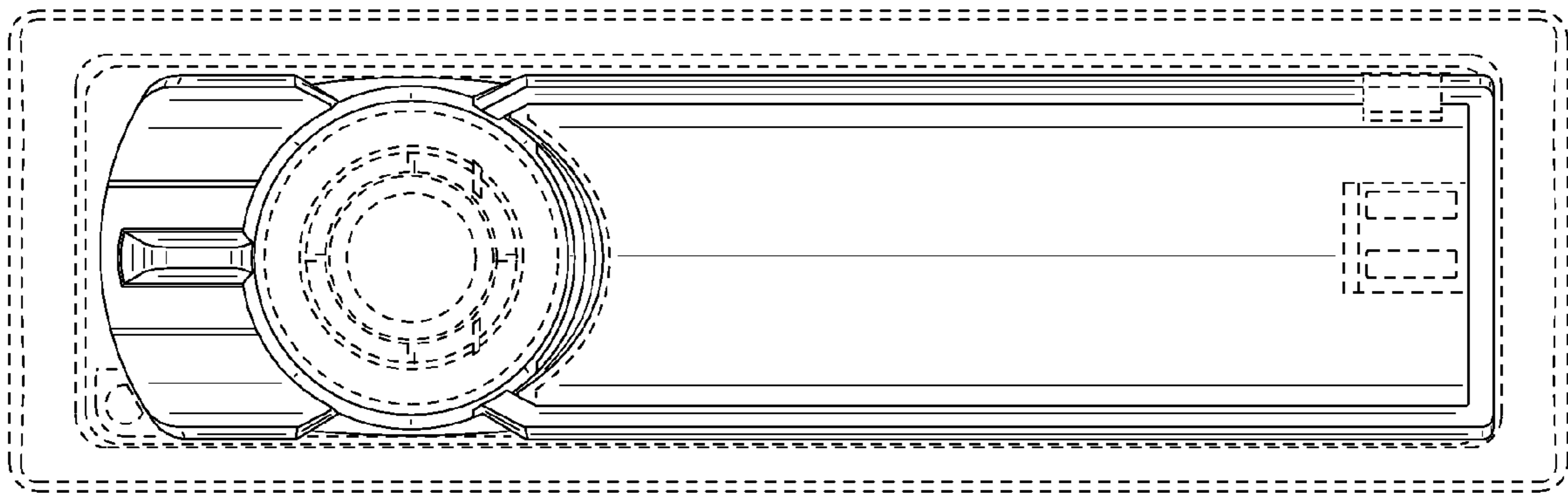


FIG. 8



FIG. 9



FIG. 10

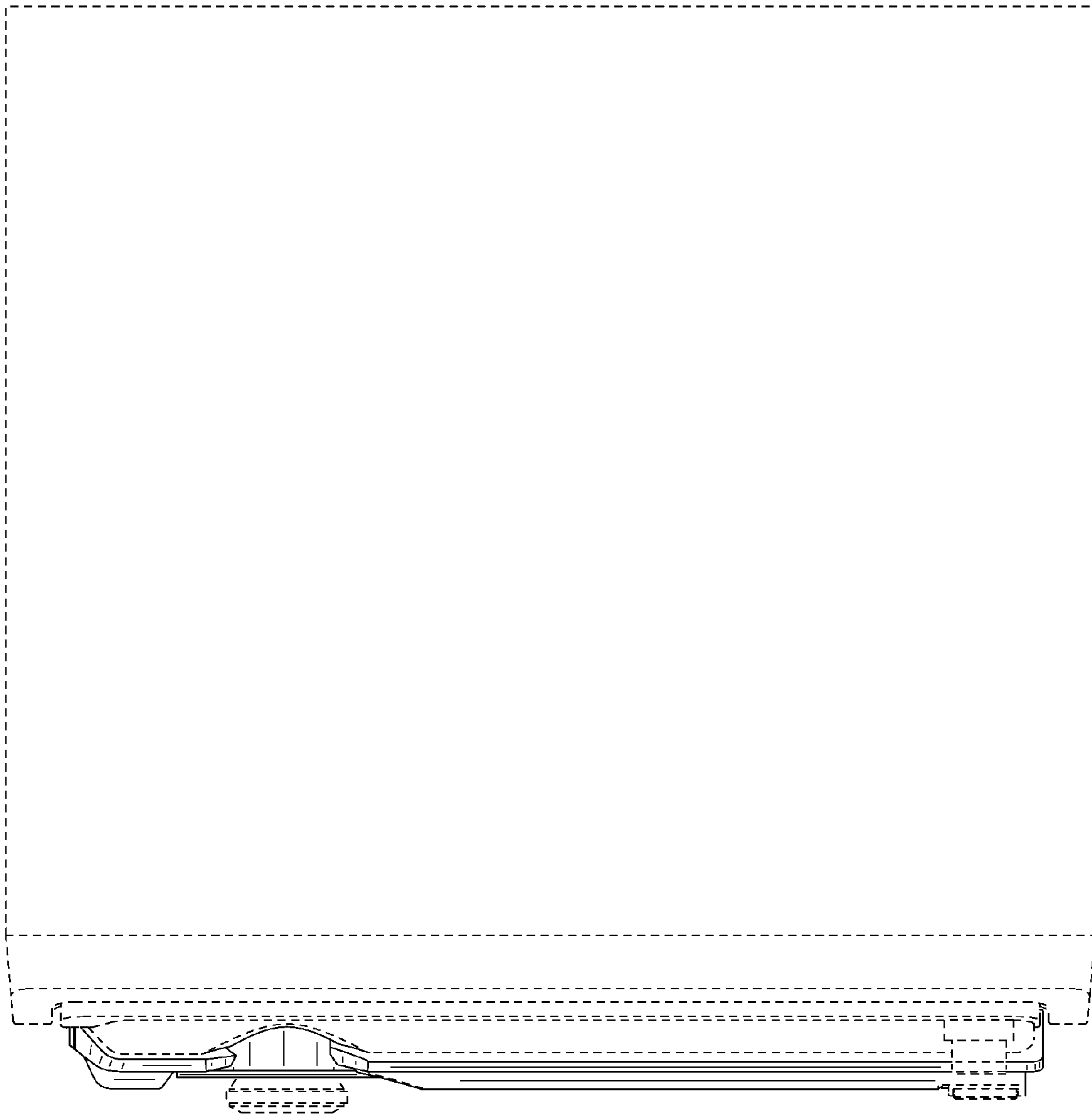


FIG. 11

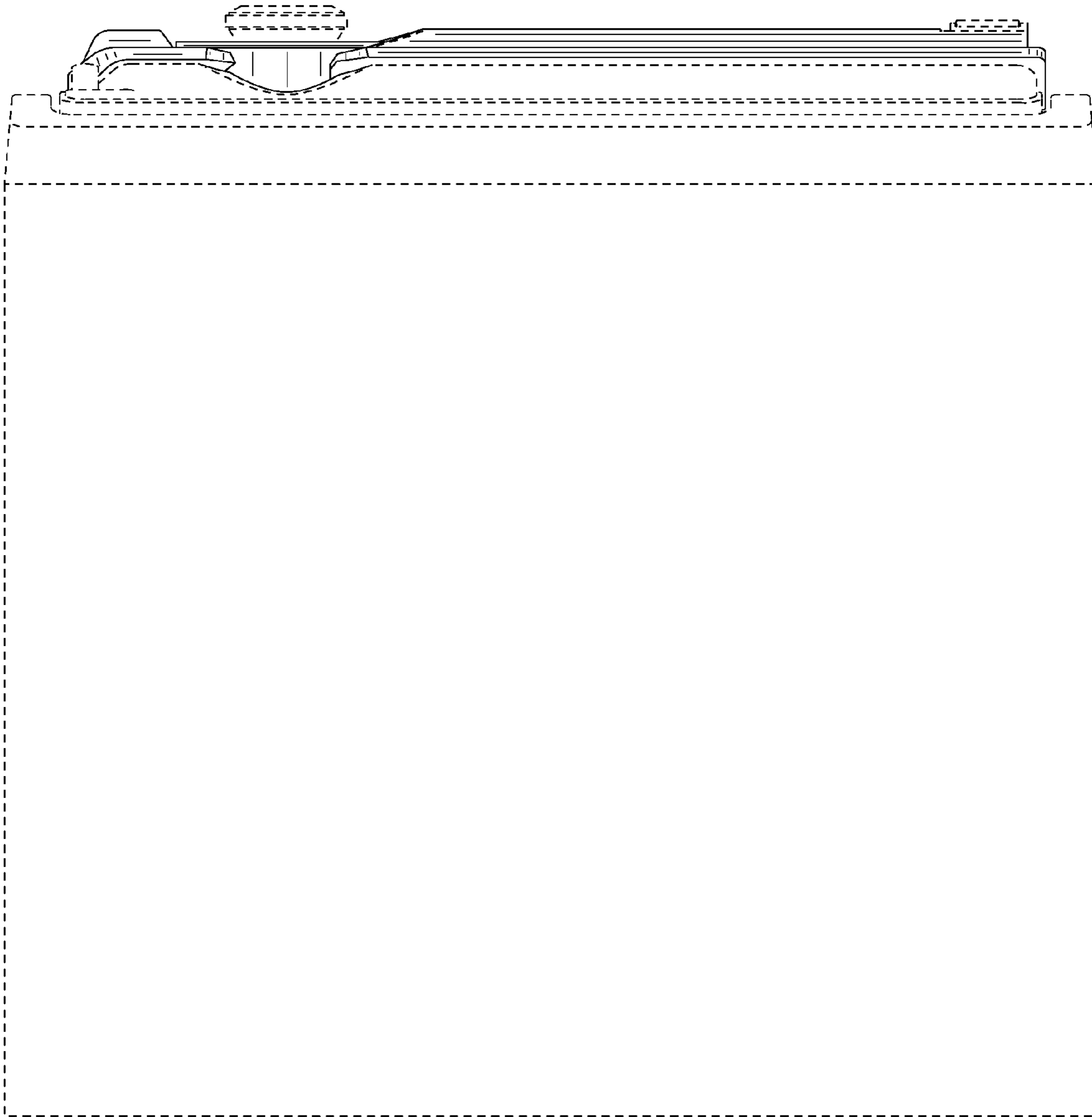


FIG. 12