



US00D610157S

(12) **United States Design Patent**
Ma

(10) **Patent No.:** **US D610,157 S**

(45) **Date of Patent:** **** Feb. 16, 2010**

(54) **FLASH DRIVE**

(76) **Inventor:** **Tien-Chi Ma**, No. 75, Sec. 2, Minquan E. Rd., Zhongshan District, Taipei City (TW)

(**) **Term:** **14 Years**

(21) **Appl. No.:** **29/311,325**

(22) **Filed:** **Feb. 20, 2009**

(51) **LOC (9) Cl.** **14-99**

(52) **U.S. Cl.** **D14/480.6**

(58) **Field of Classification Search** D14/411, D14/433, 435.1, 436, 137, 155, 167, 168, D14/203.1-203.8, 240, 242, 299, 480.1-480.7, D14/484.1; D3/203, 273; D13/107, 108, D13/149, 184; 710/300, 301; 439/131, 135-147
See application file for complete search history.

(56) **References Cited**

U.S. PATENT DOCUMENTS

D492,307	S	*	6/2004	Aqqad et al.	D14/480.5
D519,503	S	*	4/2006	Aqqad et al.	D14/480.5
D525,977	S	*	8/2006	Yao	D14/436
7,269,004	B1	*	9/2007	Ni et al.	439/607.01
D556,195	S	*	11/2007	Lin	D14/356
D556,751	S	*	12/2007	Rambosek et al.	D14/356
D579,933	S	*	11/2008	Deguchi	D14/356
D580,434	S	*	11/2008	Kim	D14/356
D581,926	S	*	12/2008	Kim	D14/356
7,466,556	B2	*	12/2008	Hiew et al.	439/131
7,473,112	B2	*	1/2009	Zhu et al.	439/142

D594,871	S	*	6/2009	Ma	D14/480.6
7,544,073	B2	*	6/2009	Nguyen et al.	439/135
D602,026	S	*	10/2009	Lo	D14/480.7
2005/0130469	A1	*	6/2005	Ikenoue	439/131
2008/0019090	A1	*	1/2008	Zhu et al.	361/684
2008/0026614	A1	*	1/2008	Emerson et al.	439/136
2008/0232060	A1	*	9/2008	Yu et al.	361/684
2008/0276099	A1	*	11/2008	Nguyen et al.	361/684
2008/0278902	A1	*	11/2008	Nguyen et al.	361/684
2008/0288697	A1	*	11/2008	Kim	710/300
2009/0227144	A1	*	9/2009	Ma	439/620.15

* cited by examiner

Primary Examiner—Cathron C Brooks

Assistant Examiner—Karen E Kearney

(74) *Attorney, Agent, or Firm*—Bacon & Thomas, PLLC

(57) **CLAIM**

The ornamental design for a flash drive, as shown.

DESCRIPTION

FIG. 1 is a perspective view of a flash drive showing my new design;

FIG. 2 is a front elevational view thereof;

FIG. 3 is a rear elevational view thereof;

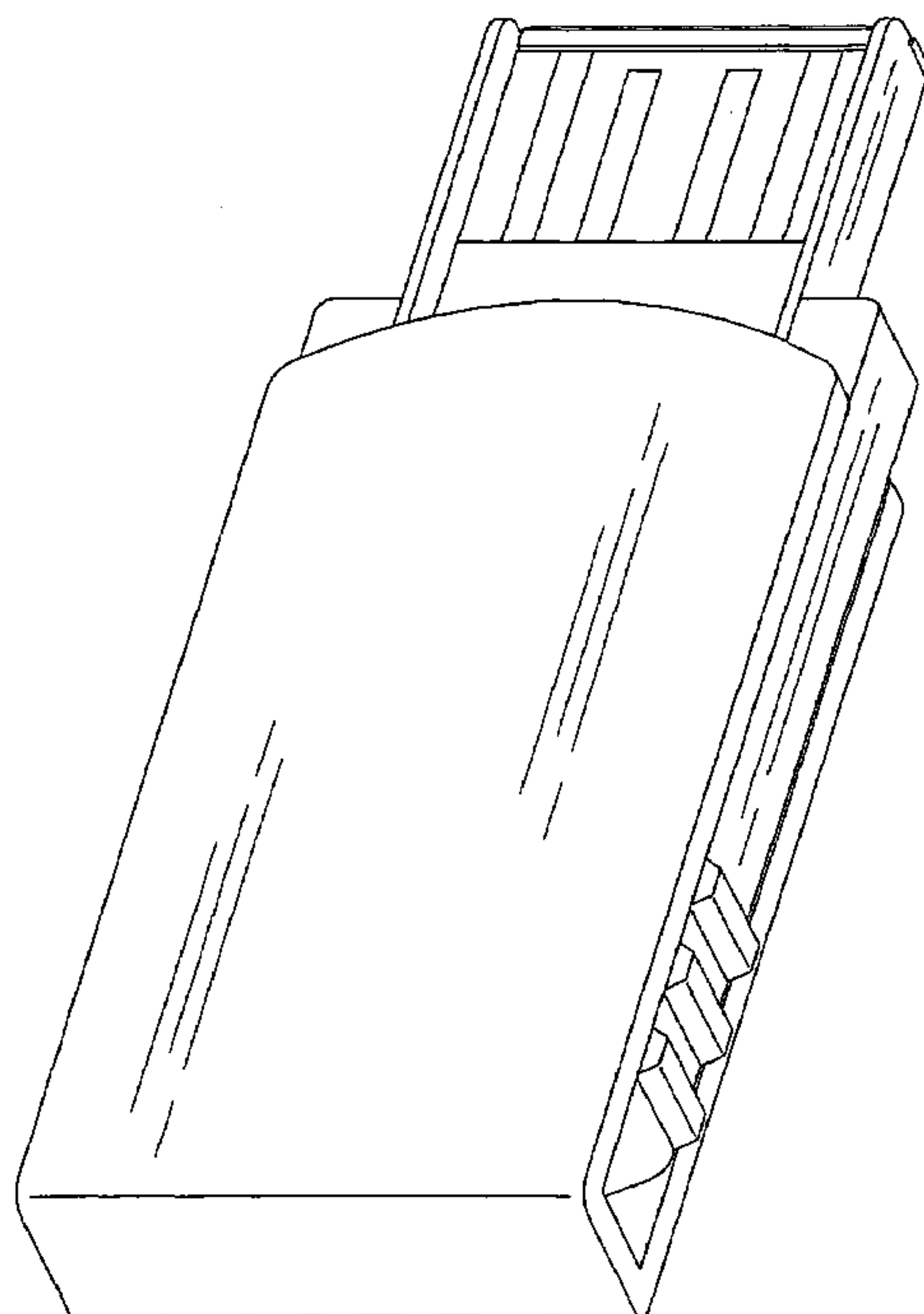
FIG. 4 is a left side elevational view thereof;

FIG. 5 is a right side elevational view thereof;

FIG. 6 is a top plan view thereof; and,

FIG. 7 is a bottom plan view thereof.

1 Claim, 6 Drawing Sheets



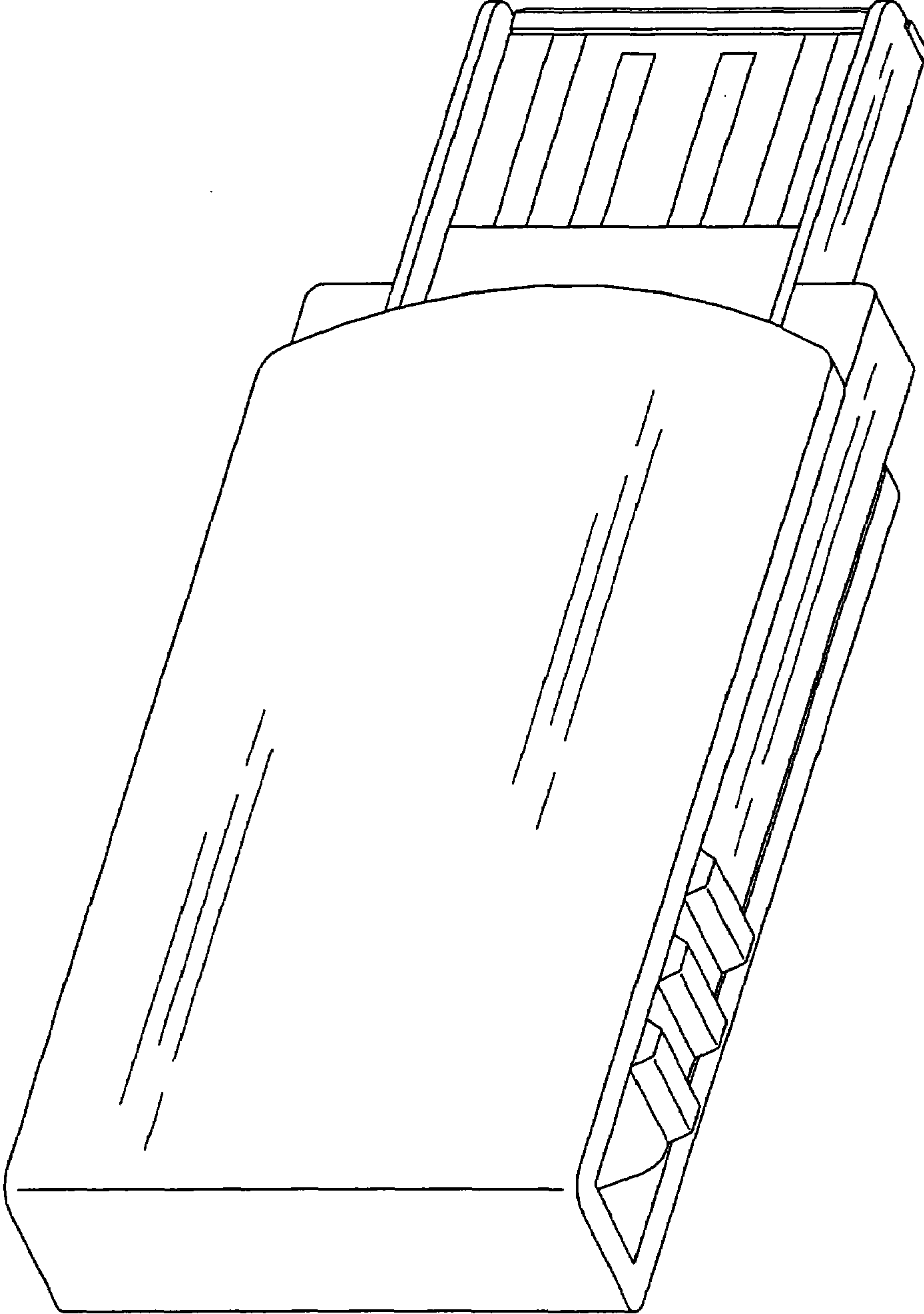


FIG. 1

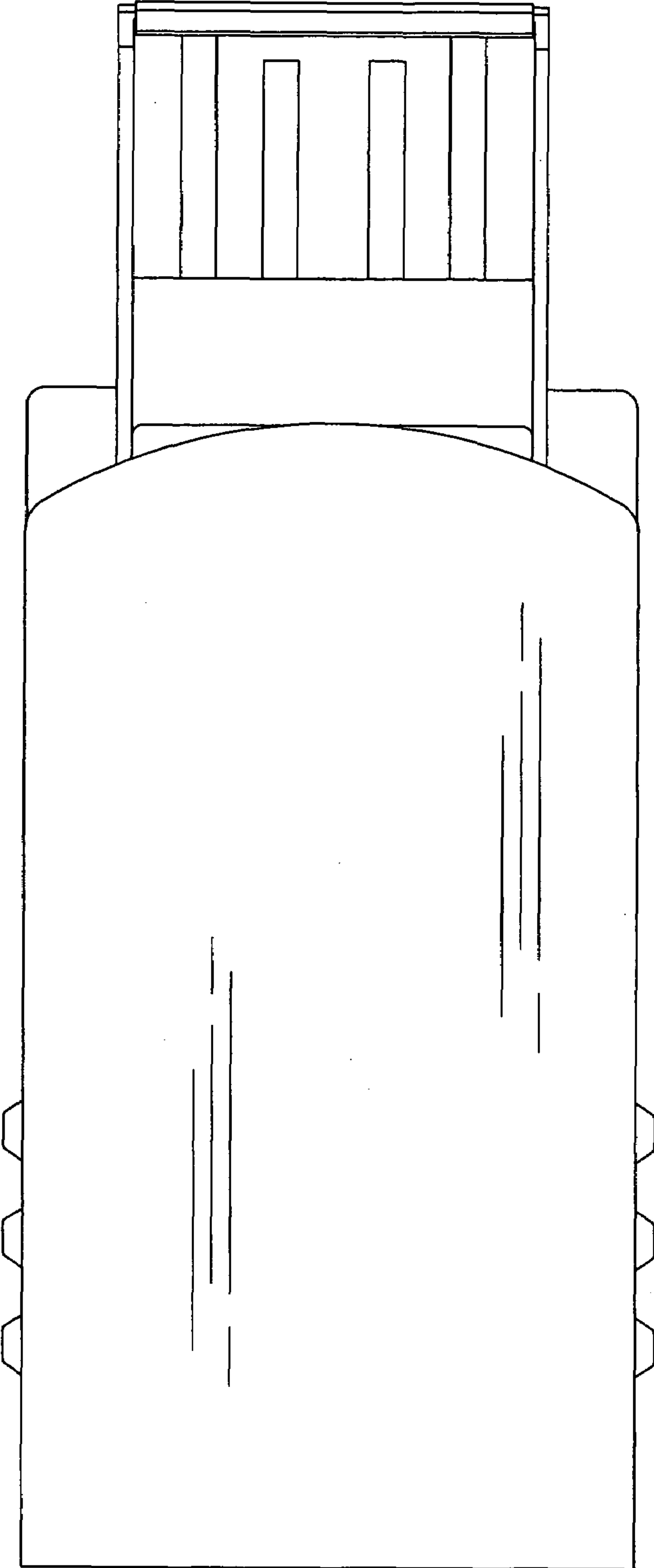


FIG. 2

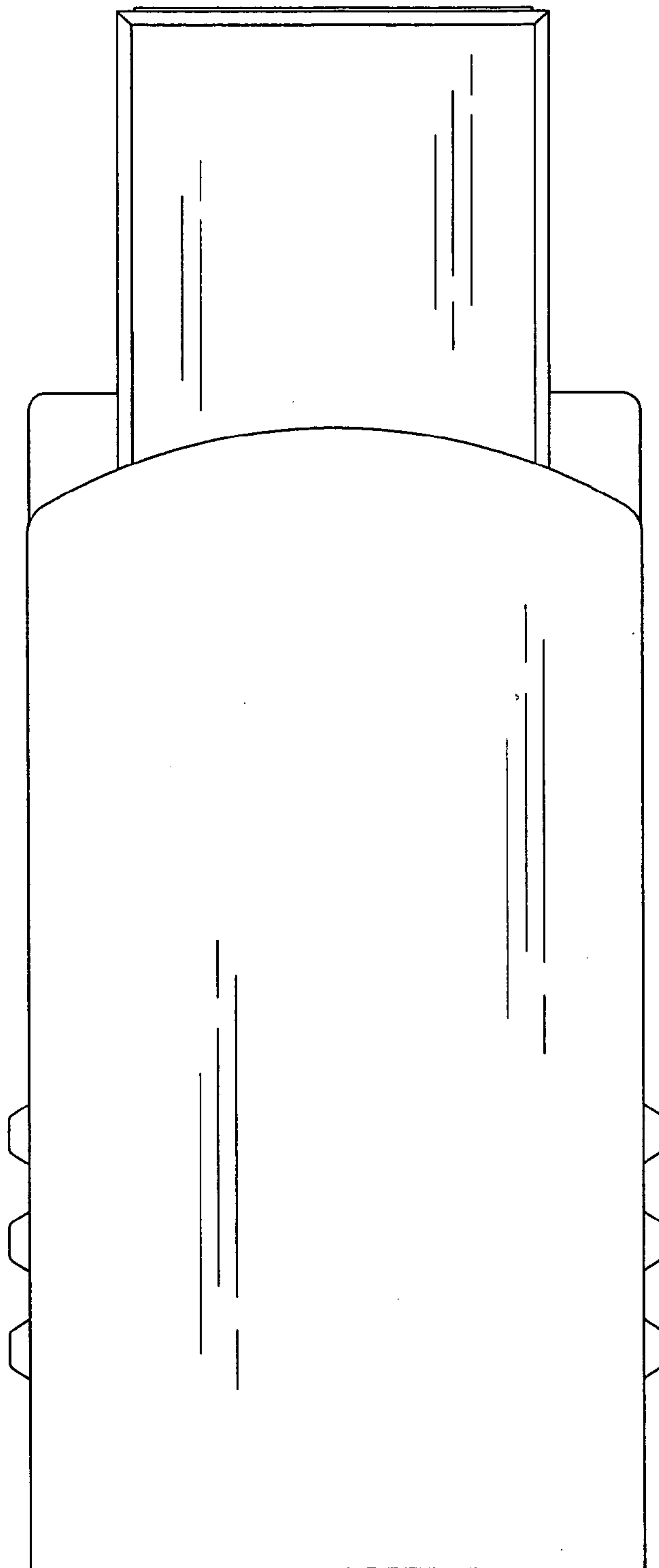


FIG. 3

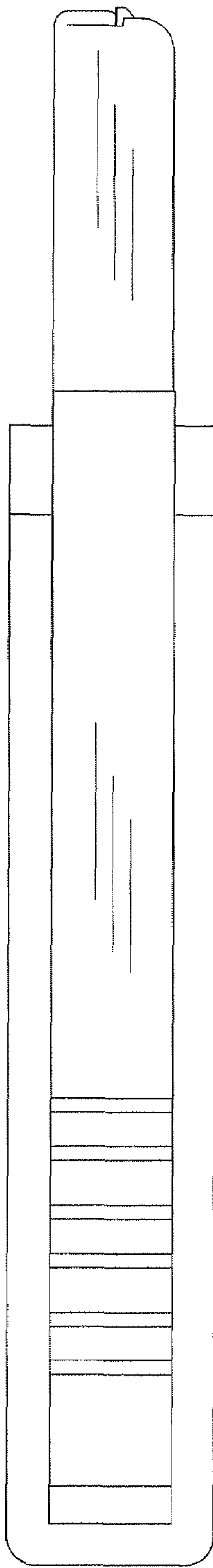


FIG. 4

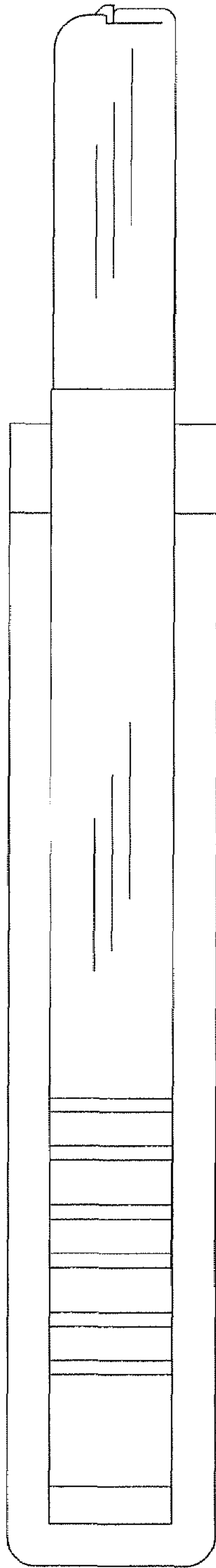


FIG. 5

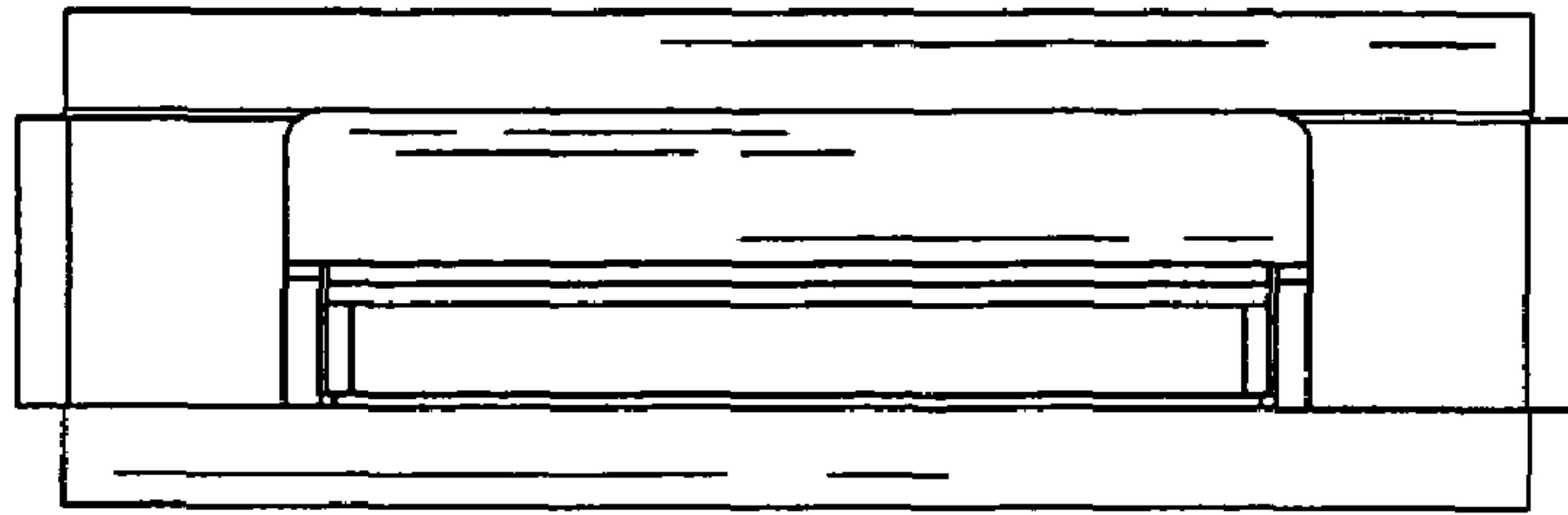


FIG. 6

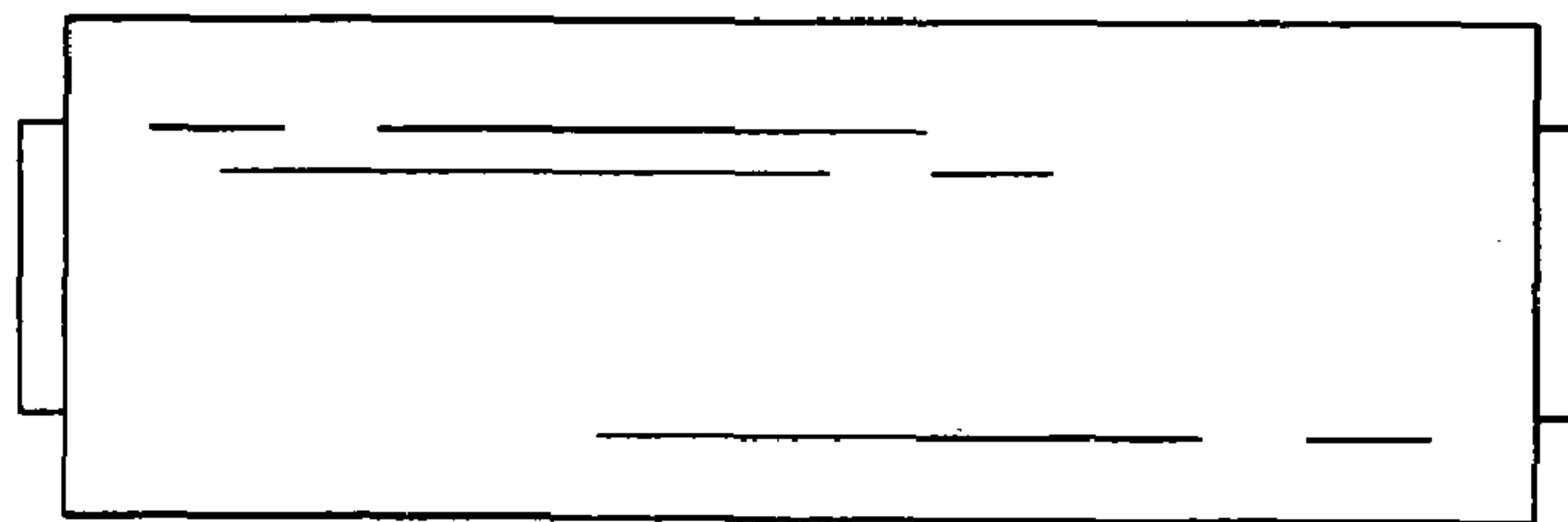


FIG. 7