



US00D610154S

(12) **United States Design Patent**
Kuroda et al.

(10) **Patent No.:** **US D610,154 S**

(45) **Date of Patent:** **** Feb. 16, 2010**

(54) **PORTION OF A SCANNER**

(75) Inventors: **Hiroyuki Kuroda**, Kahoku (JP);
Minoru Sugitani, Kahoku (JP); **Toshiki Satoji**, Milan (IT)

(73) Assignee: **PFU Limited**, Ishikawa (JP)

(**) Term: **14 Years**

(21) Appl. No.: **29/311,398**

(22) Filed: **Mar. 5, 2009**

(30) **Foreign Application Priority Data**

Sep. 5, 2008 (JP) 2008-022974

(51) **LOC (9) Cl.** **14-02**

(52) **U.S. Cl.** **D14/453; D14/422**

(58) **Field of Classification Search** D14/420-425,
D14/462-470, 389, 125, 399, 453; D18/50,
D18/54, 55, 53, 36-39, 14, 18-21, 49, 52,
D18/51, 54.4; 358/400, 401, 448, 474, 486-488,
358/496; 382/312, 317, 321, 315; 400/613,
400/613.1-613.4, 690.1-690.4, 691-694,
400/88, 175; 399/107, 379, 380, 211, 212;
235/462.11, 462.41, 472.01, 470, 462.43;
361/680, 681; D15/146; 271/209, 161, 188
See application file for complete search history.

(56) **References Cited**

U.S. PATENT DOCUMENTS

D210,218 S * 2/1968 Williams D14/385
D215,568 S * 10/1969 Kellogg D15/146
D264,846 S * 6/1982 Taguchi D14/462
D268,111 S * 3/1983 Clemens D18/54
D277,133 S * 1/1985 Houlihan D24/165
D279,783 S * 7/1985 Jordan et al. D18/55
4,561,925 A * 12/1985 Skerjanec et al. 53/374.8
D285,965 S * 9/1986 Nishibori et al. D24/165
D286,437 S * 10/1986 Nishibori D24/165
D292,976 S * 12/1987 Kando D14/466
D295,186 S * 4/1988 Hadtke D18/54
D297,051 S * 8/1988 Kawamura D24/165

4,806,036 A * 2/1989 Ward et al. 400/691
D304,722 S * 11/1989 Hashimoto et al. D14/467
D304,724 S * 11/1989 Hashimoto et al. D14/467
4,976,559 A * 12/1990 Inagaki 400/691
D315,360 S * 3/1991 Tokuda et al. D18/54
D315,361 S * 3/1991 Kojima et al. D18/55
D318,066 S * 7/1991 Moro D18/54
D324,395 S * 3/1992 Dubson D18/54
D326,678 S * 6/1992 Uchibori et al. D18/55
D331,774 S * 12/1992 Saeki D18/55
D337,608 S * 7/1993 Miyamoto D18/55
D343,636 S * 1/1994 Horie et al. D18/55
D348,054 S * 6/1994 Minasian et al. D14/425
D350,075 S * 8/1994 Reeder D10/94
D369,181 S * 4/1996 Kobayashi D18/55
D389,178 S * 1/1998 Chow et al. D18/50

(Continued)

Primary Examiner—Susan Moon Lee
(74) *Attorney, Agent, or Firm*—Staas & Halsey LLP

(57) **CLAIM**

The ornamental design for a portion of a scanner, as shown and described.

DESCRIPTION

FIG. 1 is a front perspective view of a portion of a scanner showing our new design;

FIG. 2 is a front view thereof;

FIG. 3 is a rear view thereof;

FIG. 4 is a right side view thereof;

FIG. 5 is a top plan view thereof;

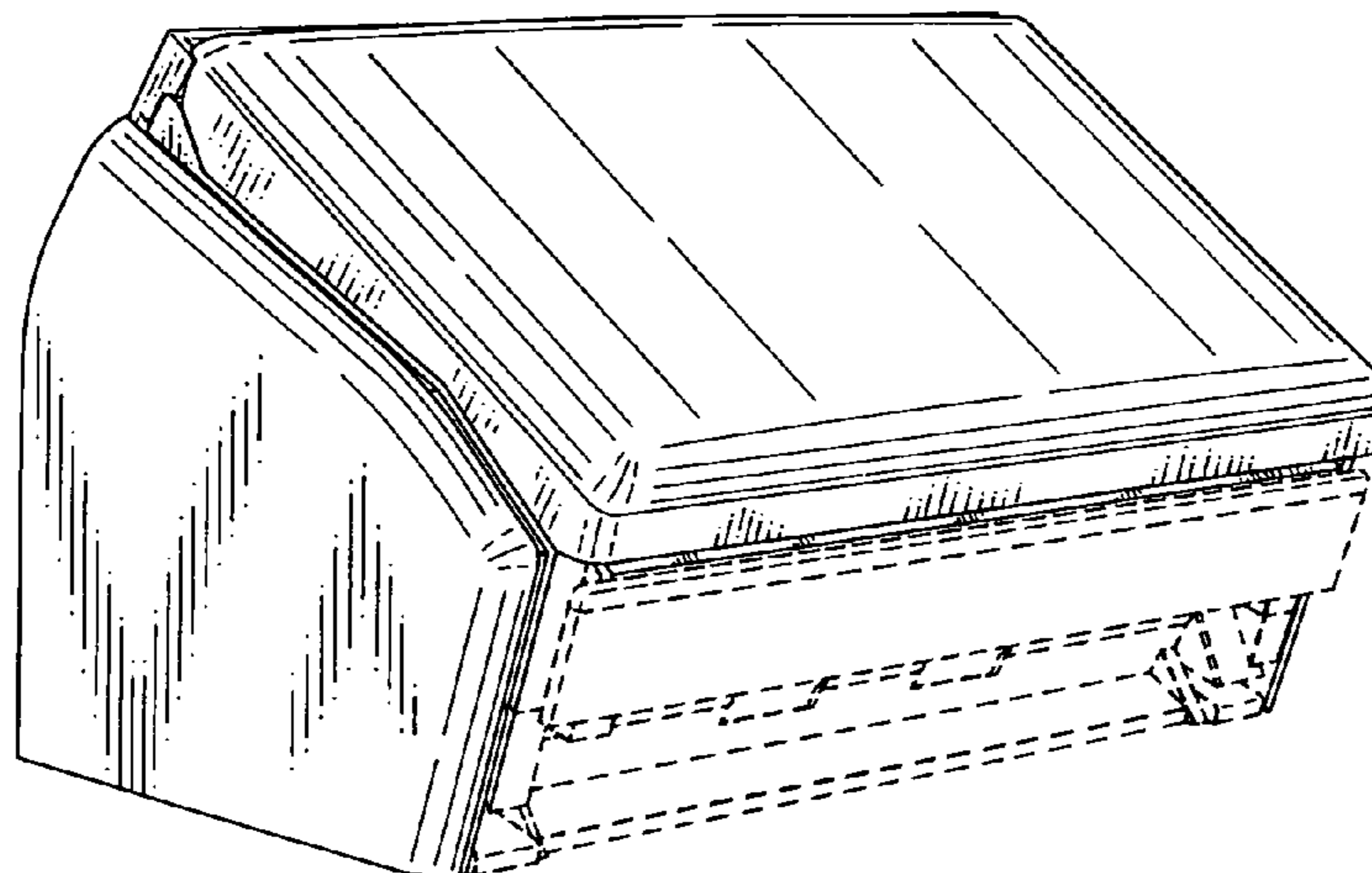
FIG. 6 is a bottom plan view thereof;

FIG. 7 is a front perspective view of the scanner with the top cover open; and,

FIG. 8 is a front perspective view thereof with the top cover and lower catch tray in an open position.

The portions depicted in broken line are not claimed.

1 Claim, 4 Drawing Sheets



US D610,154 S

Page 2

U.S. PATENT DOCUMENTS

D390,258 S *	2/1998	Kawahara et al.	D18/55	D474,806 S *	5/2003	Yamano et al.	D18/55
D399,524 S *	10/1998	Nakajima	D18/50	D475,052 S *	5/2003	Chujou et al.	D14/422
D401,271 S *	11/1998	Nakajima	D18/55	6,568,674 B2 *	5/2003	Matsuda	271/274
D401,965 S *	12/1998	Pangburn	D18/55	D483,059 S *	12/2003	Goh et al.	D18/50
5,893,822 A *	4/1999	Deni et al.	53/512	6,707,584 B1 *	3/2004	Morita	358/498
D414,508 S *	9/1999	Pangburn	D18/55	D497,940 S *	11/2004	Hwang et al.	D18/50
D419,591 S *	1/2000	Pangburn	D18/55	D498,786 S *	11/2004	Suzuki et al.	D18/55
D419,973 S *	2/2000	Ueda	D14/434	D499,759 S *	12/2004	Kobayashi et al.	D18/55
D420,663 S *	2/2000	Goldenberg et al. .	D14/138 AB	D518,826 S *	4/2006	Chujou et al.	D14/422
D422,570 S *	4/2000	Kobayashi	D14/509	7,029,113 B2 *	4/2006	Hwang	347/108
D424,099 S *	5/2000	Pangburn	D18/50	D523,469 S *	6/2006	Hwang et al.	D18/50
D432,565 S *	10/2000	Gassett et al.	D18/55	7,134,259 B2 *	11/2006	Huang	53/512
D433,442 S *	11/2000	Clark, III	D18/55	D533,897 S *	12/2006	Workman et al.	D18/34.3
D435,266 S *	12/2000	Sekine et al.	D18/55	D536,370 S *	2/2007	Smolenski et al.	D18/50
D437,414 S *	2/2001	Kern et al.	D24/165	D549,705 S *	8/2007	Sugitani et al.	D14/422
D438,894 S *	3/2001	Bishop et al.	D18/55	7,265,869 B2 *	9/2007	Silverbrook et al.	358/1.3
D438,895 S *	3/2001	Pangburn	D18/55	7,290,952 B2 *	11/2007	Kagami	400/693
D439,607 S *	3/2001	Inoue et al.	D18/54	D563,413 S *	3/2008	Kuroda et al.	D14/422
6,231,043 B1 *	5/2001	James et al.	271/209	D571,370 S *	6/2008	Sugitani et al.	D14/422
D443,878 S *	6/2001	Sakata et al.	D14/422	D571,807 S *	6/2008	Ogawa	D14/422
D444,813 S *	7/2001	Quijano	D18/55	7,431,447 B2 *	10/2008	Jensen	347/108
D445,451 S *	7/2001	Clark et al.	D18/55	D579,972 S *	11/2008	Meda et al.	D18/50
D446,306 S *	8/2001	Ochi et al.	D24/186	D583,060 S *	12/2008	Kitamura et al.	D24/165
D454,583 S *	3/2002	Whitby et al.	D18/50	D601,259 S *	9/2009	Guthrie et al.	D24/169
D463,485 S *	9/2002	Yoshida et al.	D18/50	2003/0030712 A1 *	2/2003	Kawaguchi et al.	347/104
D466,917 S *	12/2002	Liu	D18/36	2003/0110741 A1 *	6/2003	Wang	53/512
D466,920 S *	12/2002	Kawahara et al.	D18/50	2004/0207144 A1 *	10/2004	Kanome et al.	271/9.01
				2005/0050856 A1 *	3/2005	Baptista	53/434

* cited by examiner

Fig.1

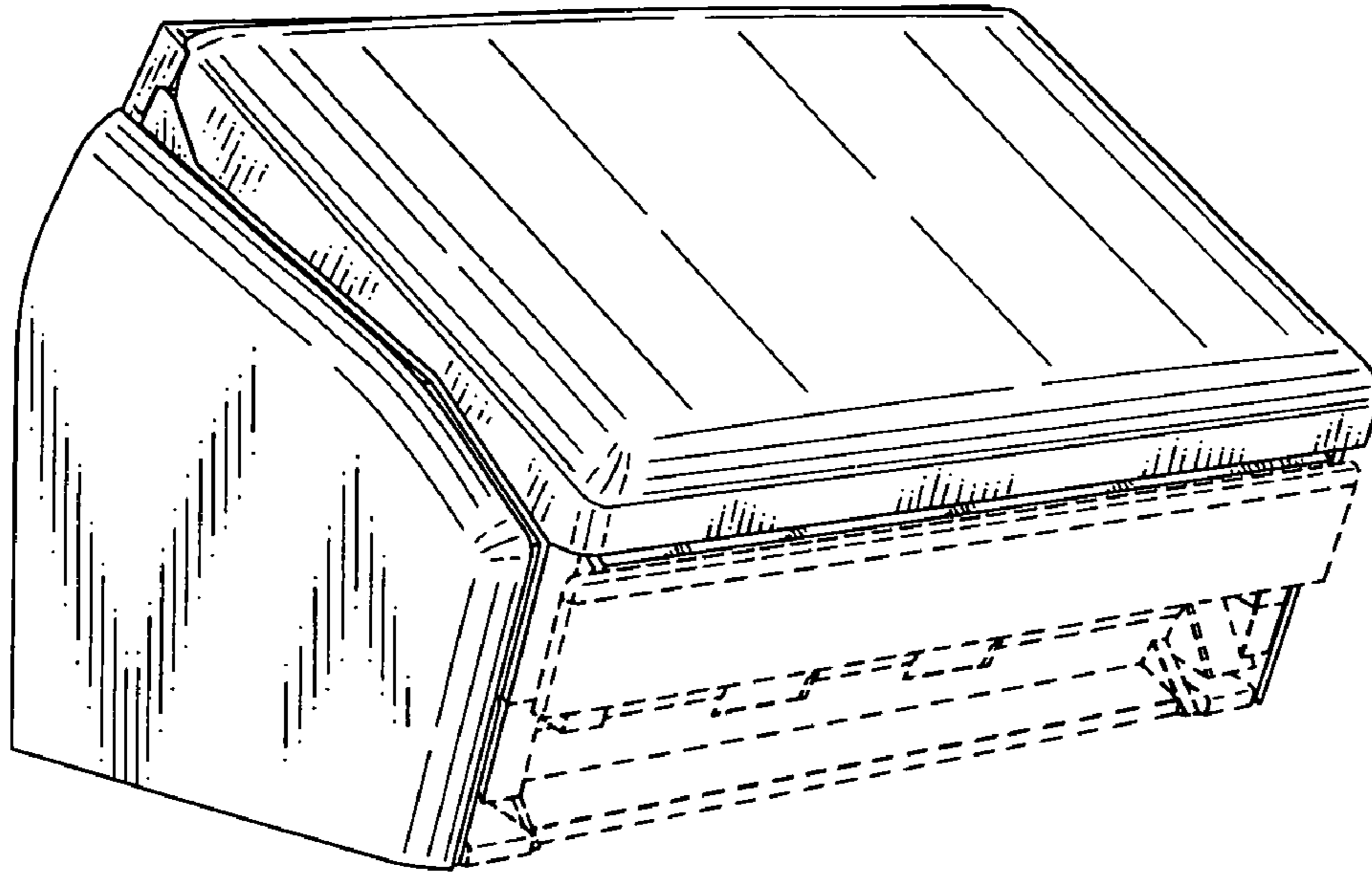


Fig.2

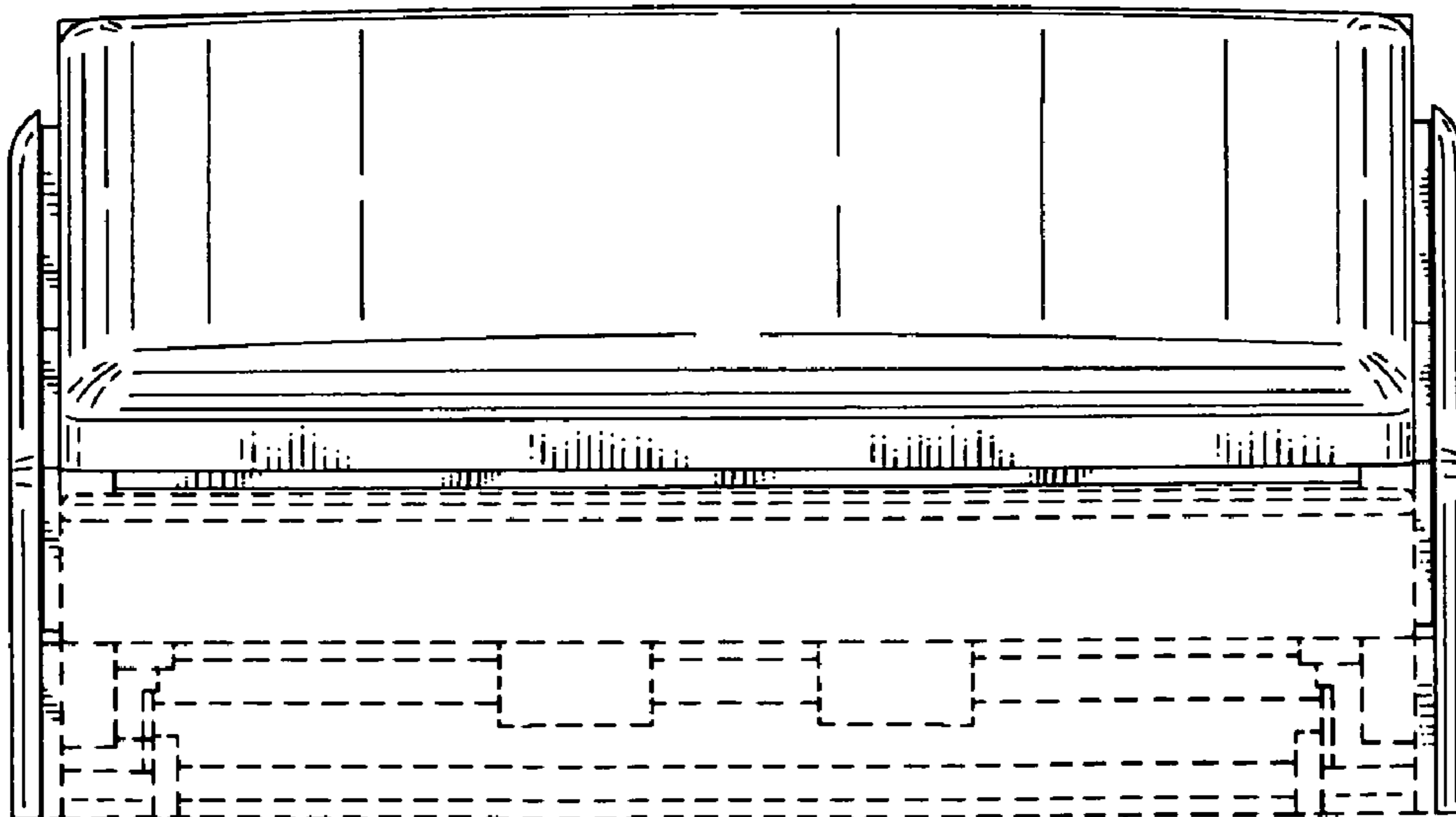


Fig.3

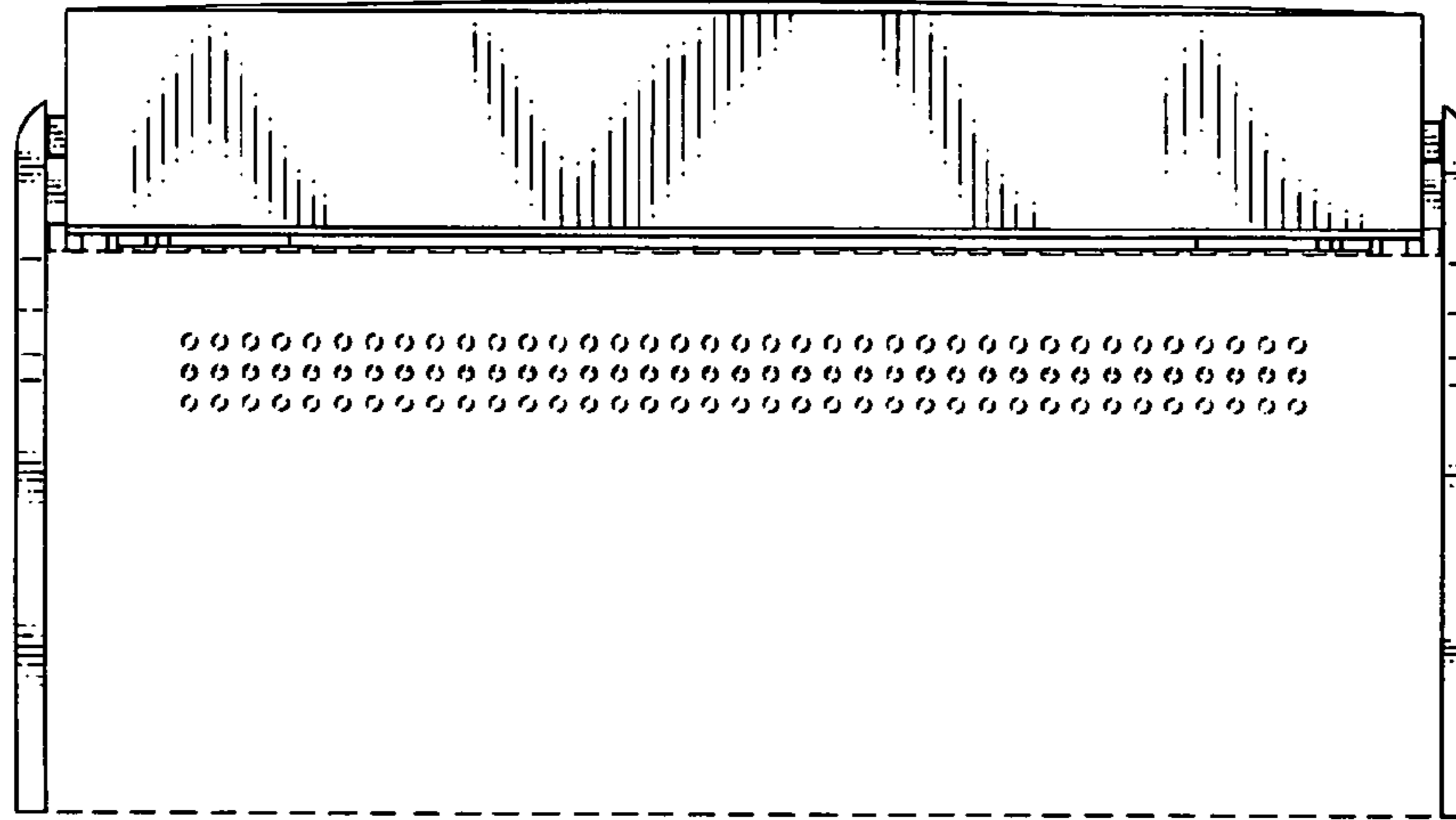


Fig.4

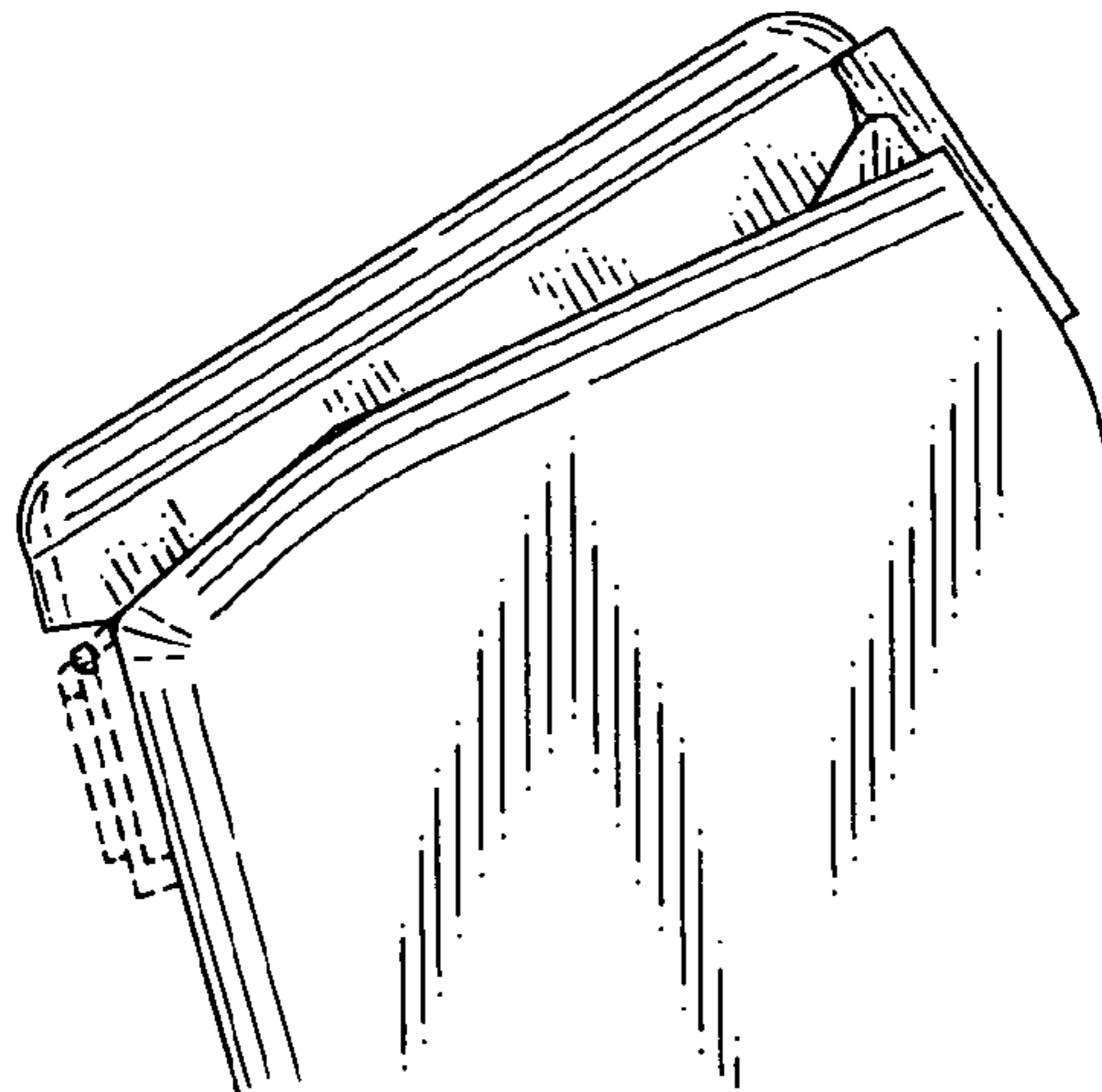


Fig.5

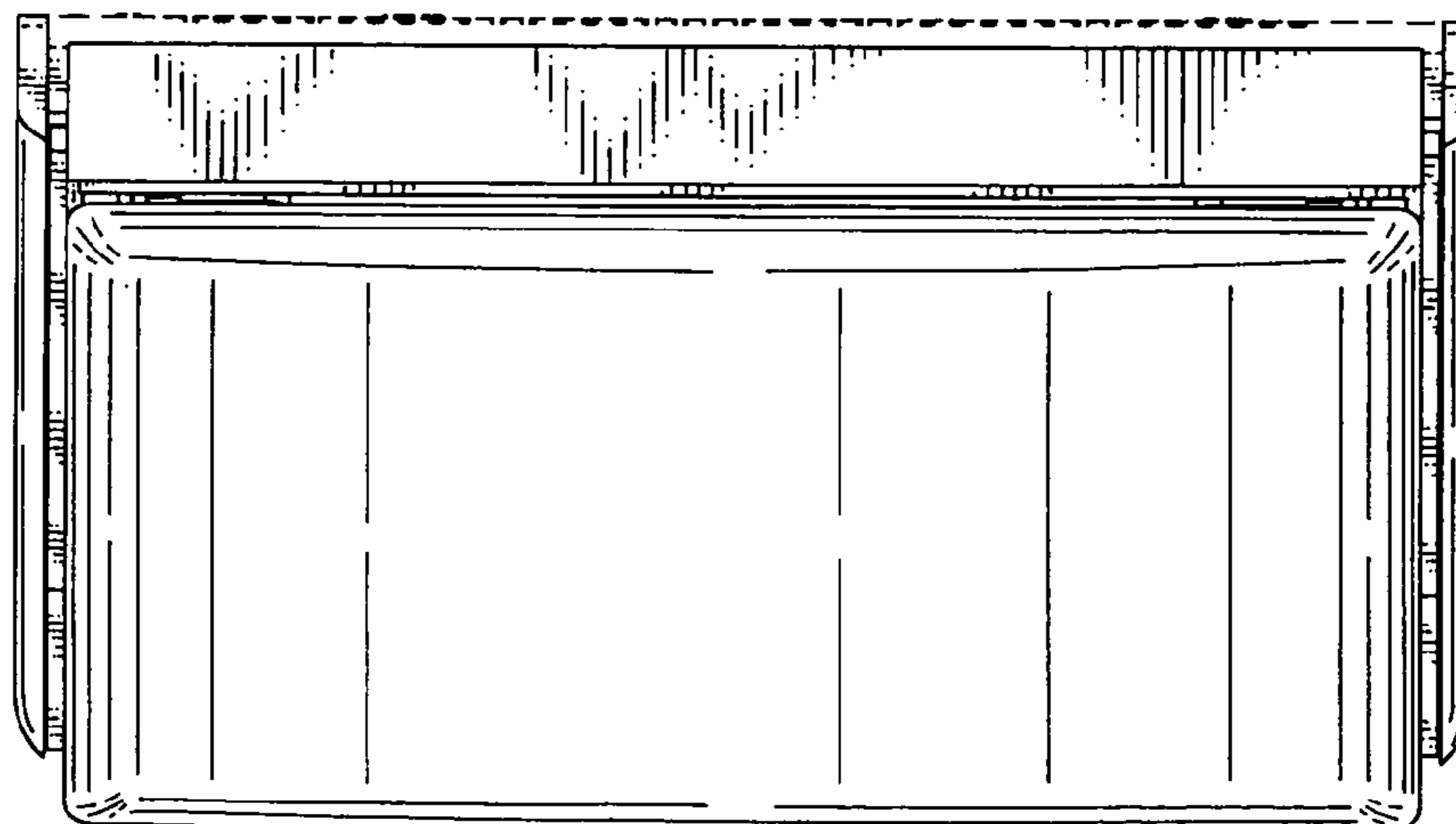


Fig.6

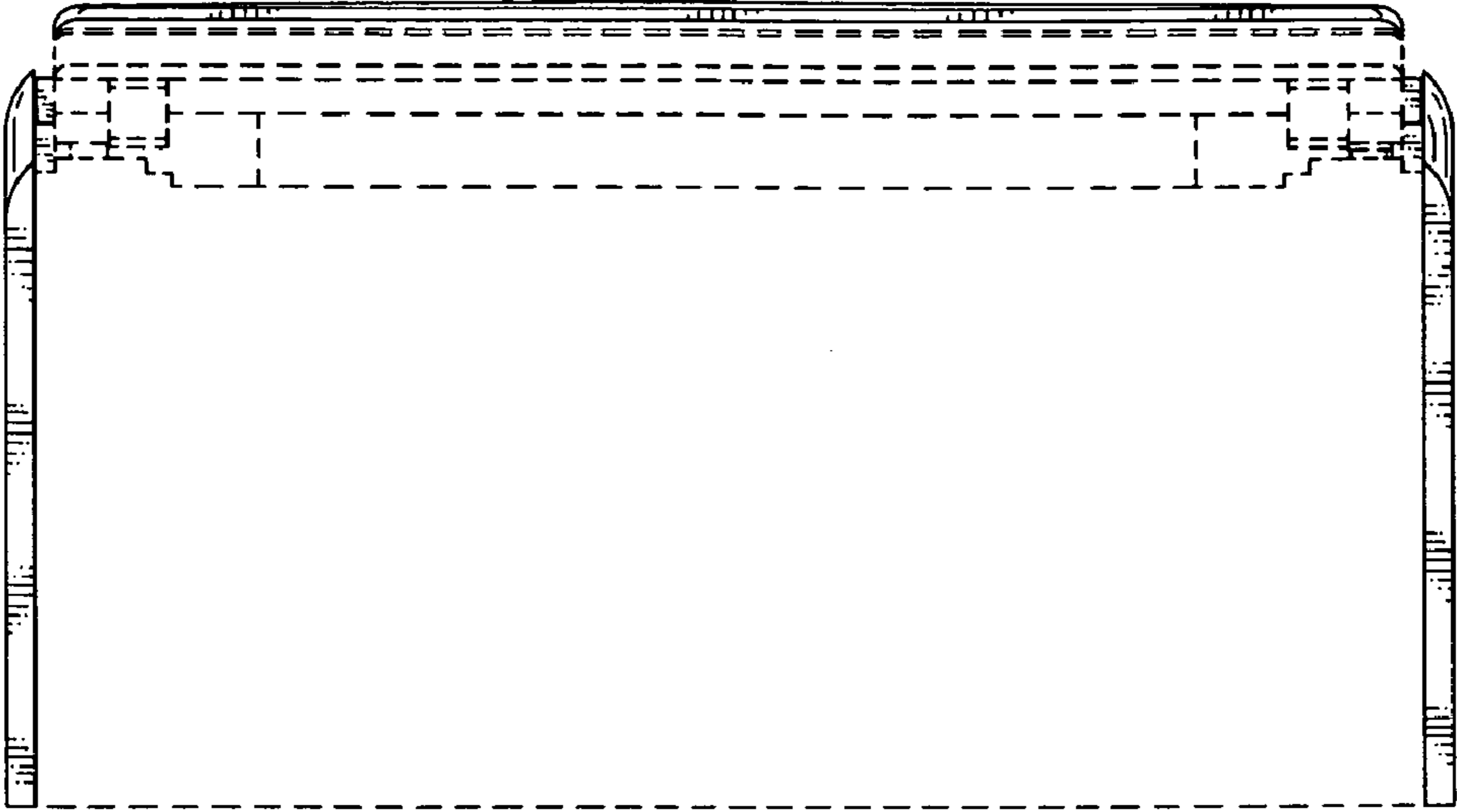


Fig.7

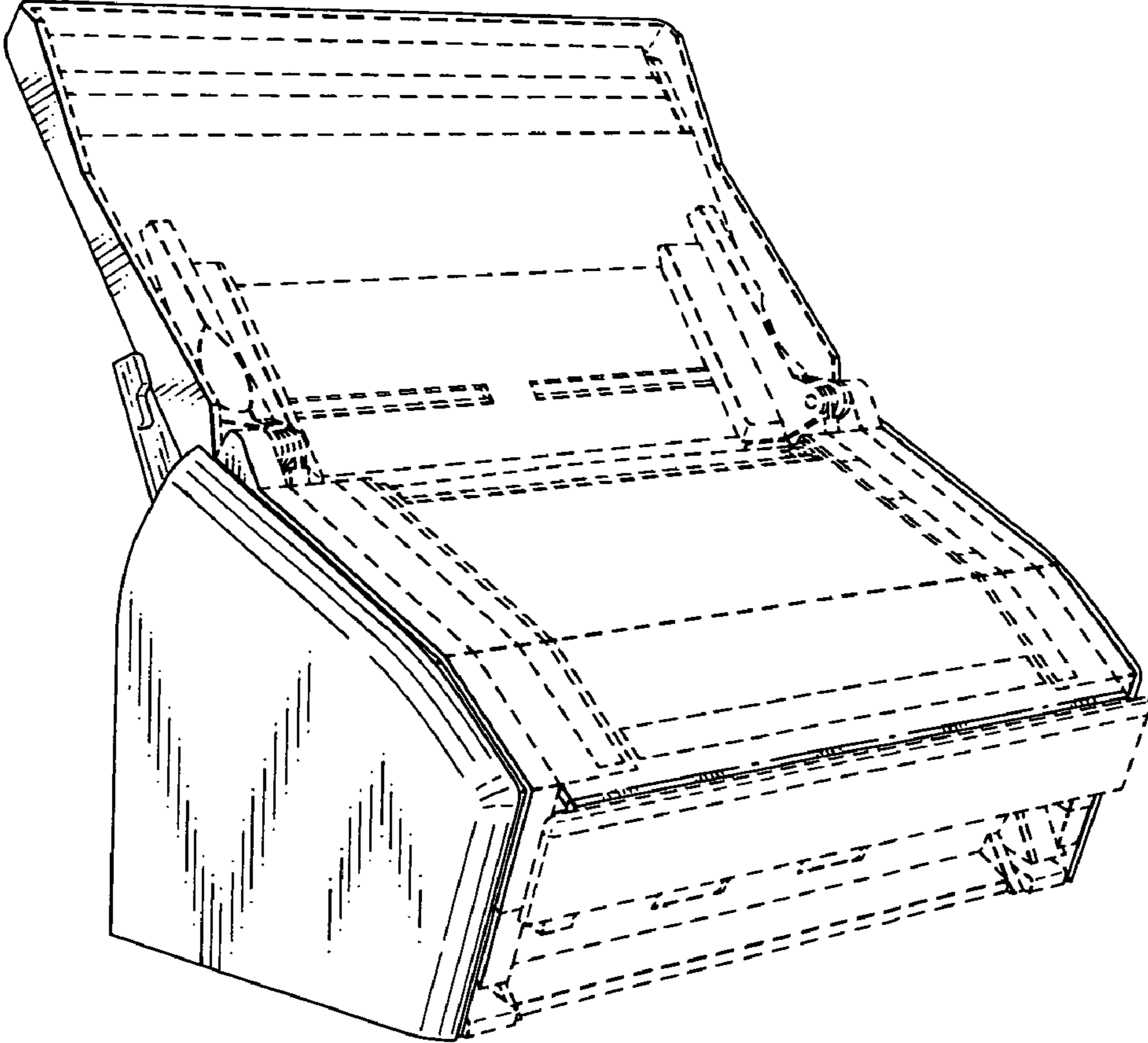


Fig.8

