



US00D610153S

(12) **United States Design Patent**
Kuroda et al.

(10) **Patent No.:** **US D610,153 S**
(45) **Date of Patent:** **** Feb. 16, 2010**

(54) **PORTION OF A SCANNER**

(75) Inventors: **Hiroyuki Kuroda**, Kahoku (JP);
Minoru Sugitani, Kahoku (JP); **Toshiki Satoji**, Milan (IT)

(73) Assignee: **PFU Limited**, Ishikawa (JP)

(**) Term: **14 Years**

(21) Appl. No.: **29/311,396**

(22) Filed: **Mar. 5, 2009**

(30) **Foreign Application Priority Data**

Sep. 5, 2008 (JP) 2008-022994

(51) **LOC (9) Cl.** **14-02**

(52) **U.S. Cl.** **D14/453; D14/422**

(58) **Field of Classification Search** D14/420-425,
D14/462-470, 389, 125, 399, 453; D18/50,
D18/54, 55, 53, 36-39, 14, 18-21, 49, 52,
D18/51, 54.4; 358/400, 401, 448, 474, 486-488,
358/496; 382/312, 317, 321, 315; 400/613,
400/613.1-613.4, 690.1-690.4, 691-694,
400/88, 175; 399/107, 379, 380, 211, 212;
235/462.11, 462.41, 472.01, 470, 462.43;
361/680, 681; D15/146; 271/209, 161, 188
See application file for complete search history.

(56) **References Cited**

U.S. PATENT DOCUMENTS

D316,869 S * 5/1991 Sugawara et al. D18/54
D366,900 S * 2/1996 Pangburn et al. D18/50
D373,595 S * 9/1996 Askren et al. D18/50
D375,119 S * 10/1996 Pangburn D18/50
D382,256 S * 8/1997 Lin D14/422
D401,965 S * 12/1998 Pangburn D18/55
5,893,822 A * 4/1999 Deni et al. 53/512
D414,508 S * 9/1999 Pangburn D18/55
D420,663 S * 2/2000 Goldenberg et al. . D14/138 AB
D421,768 S * 3/2000 Blair et al. D18/50
D422,570 S * 4/2000 Kobayashi D14/509
D423,563 S * 4/2000 Collins et al. D18/55

D424,099 S * 5/2000 Pangburn D18/50
D432,565 S * 10/2000 Gassett et al. D18/55
D433,443 S * 11/2000 Ito et al. D18/55
D435,266 S * 12/2000 Sekine et al. D18/55
D435,267 S * 12/2000 Beck et al. D18/55
D438,895 S * 3/2001 Pangburn D18/55
D439,607 S * 3/2001 Inoue et al. D18/54
D440,992 S * 4/2001 Parson et al. D15/146
6,231,043 B1 * 5/2001 James et al. 271/209
D452,706 S * 1/2002 Senshiki D18/55
D454,583 S * 3/2002 Whitby et al. D18/50
D463,485 S * 9/2002 Yoshida et al. D18/50
D465,515 S * 11/2002 Hwang et al. D18/55
D466,552 S * 12/2002 Hwang et al. D18/55
D466,920 S * 12/2002 Kawahara et al. D18/50
D470,172 S * 2/2003 Tatara et al. D18/55
6,540,219 B1 * 4/2003 Naruse et al. 271/37

(Continued)

Primary Examiner—Susan Moon Lee
(74) *Attorney, Agent, or Firm*—Staas & Halsey LLP

(57) **CLAIM**

The ornamental design for a portion of a scanner, as shown and described.

DESCRIPTION

FIG. 1 is a front perspective view of a portion of a scanner showing our new design;

FIG. 2 is a front view thereof;

FIG. 3 is a rear view thereof;

FIG. 4 is a right side view thereof;

FIG. 5 is a top plan view thereof;

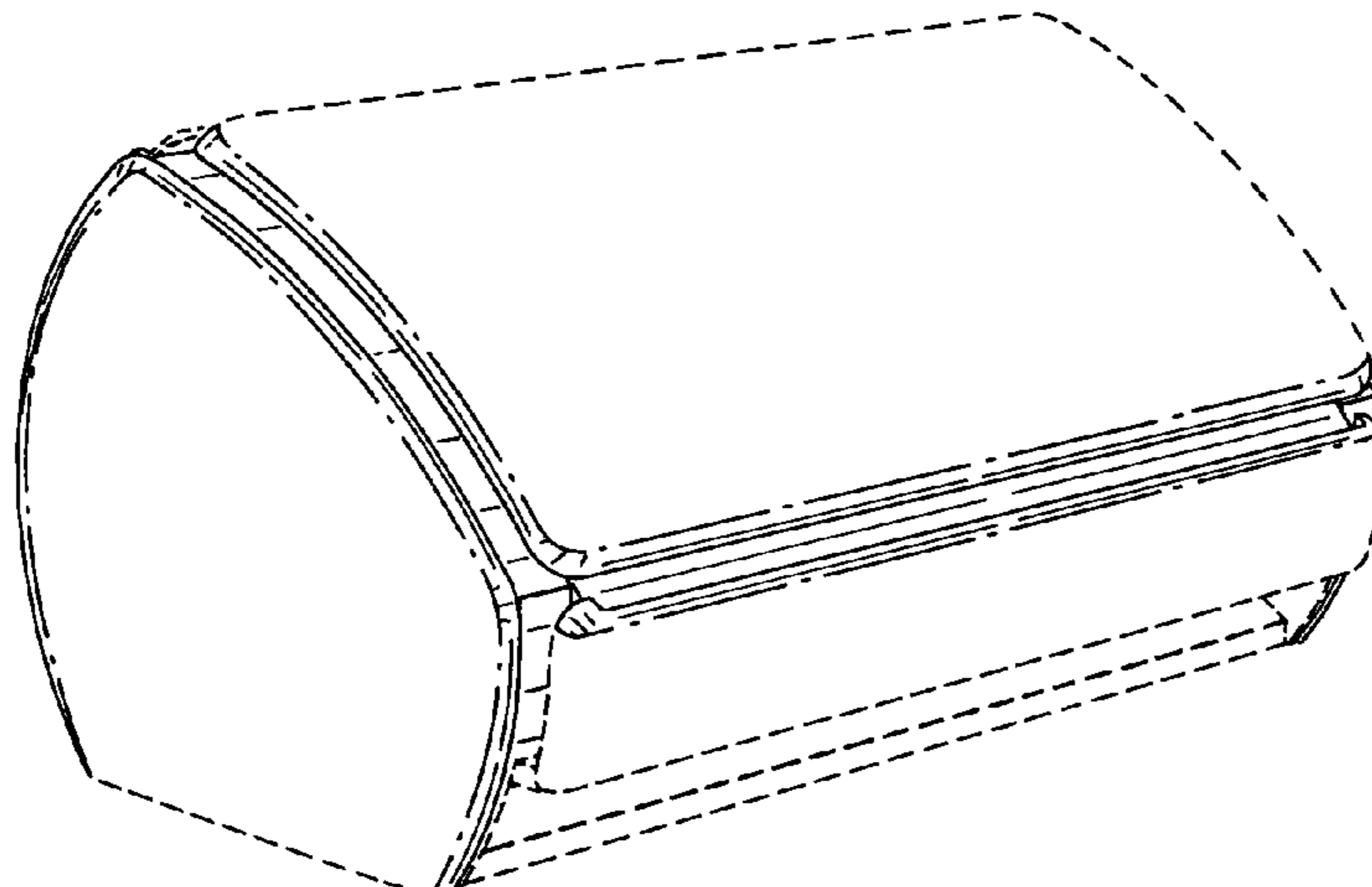
FIG. 6 is a bottom plan view thereof;

FIG. 7 is a front perspective view of the scanner with the top cover open; and,

FIG. 8 is a front perspective view thereof with the top cover and lower tray in an open position.

The portions depicted in broken line are not claimed.

1 Claim, 4 Drawing Sheets



US D610,153 S

Page 2

U.S. PATENT DOCUMENTS

D474,770	S *	5/2003	Chujou et al.	D14/425	7,029,113	B2 *	4/2006	Hwang	347/108
6,557,992	B1 *	5/2003	Dwyer et al.	347/108	D523,469	S *	6/2006	Hwang et al.	D18/50
6,568,674	B2 *	5/2003	Matsuda	271/274	D524,851	S *	7/2006	Wong et al.	D18/55
D478,119	S *	8/2003	Hwang et al.	D18/55	D533,897	S *	12/2006	Workman et al.	D18/34.3
D480,752	S *	10/2003	Tatara et al.	D18/55	D534,204	S *	12/2006	Workman et al.	D18/34.3
D483,059	S *	12/2003	Goh et al.	D18/50	D536,731	S *	2/2007	Tate et al.	D18/50
D483,060	S *	12/2003	Wong et al.	D18/50	D543,583	S *	5/2007	Workman et al.	D18/34.3
D483,061	S *	12/2003	Wong	D18/55	D544,508	S *	6/2007	Beno et al.	D15/146
6,676,318	B2 *	1/2004	Hwang et al.	400/693	D545,891	S *	7/2007	Ramos et al.	D18/49
D486,178	S *	2/2004	Wong et al.	D18/55	D546,853	S *	7/2007	Gaines et al.	D15/146
6,707,584	B1 *	3/2004	Morita	358/498	D549,705	S *	8/2007	Sugitani et al.	D14/422
D489,401	S *	5/2004	Senshiki et al.	D18/54	7,265,869	B2 *	9/2007	Silverbrook et al.	358/1.3
D492,960	S *	7/2004	Takizawa	D18/54	7,290,952	B2 *	11/2007	Kagami	400/693
6,786,665	B2 *	9/2004	Hwang et al.	400/693	D563,413	S *	3/2008	Kuroda et al.	D14/422
D497,940	S *	11/2004	Hwang et al.	D18/50	D564,519	S *	3/2008	Genatossio et al.	D14/422
6,848,685	B2 *	2/2005	Katsuyama	271/162	7,431,447	B2 *	10/2008	Jensen	347/108
6,899,422	B2 *	5/2005	Strowe et al.	347/108	2003/0030712	A1 *	2/2003	Kawaguchi et al.	347/104
6,899,474	B2 *	5/2005	Uchida et al.	400/27	2003/0206762	A1 *	11/2003	Hwang et al.	400/693
6,962,412	B2 *	11/2005	Koike et al.	347/108	2004/0004642	A1 *	1/2004	Koike et al.	347/5
D514,161	S *	1/2006	Wong et al.	D18/55	2004/0207144	A1 *	10/2004	Kanome et al.	271/9.01
6,991,331	B2 *	1/2006	Kagami et al.	347/108	2005/0247405	A1 *	11/2005	Murphy et al.	156/359

* cited by examiner

Fig.1

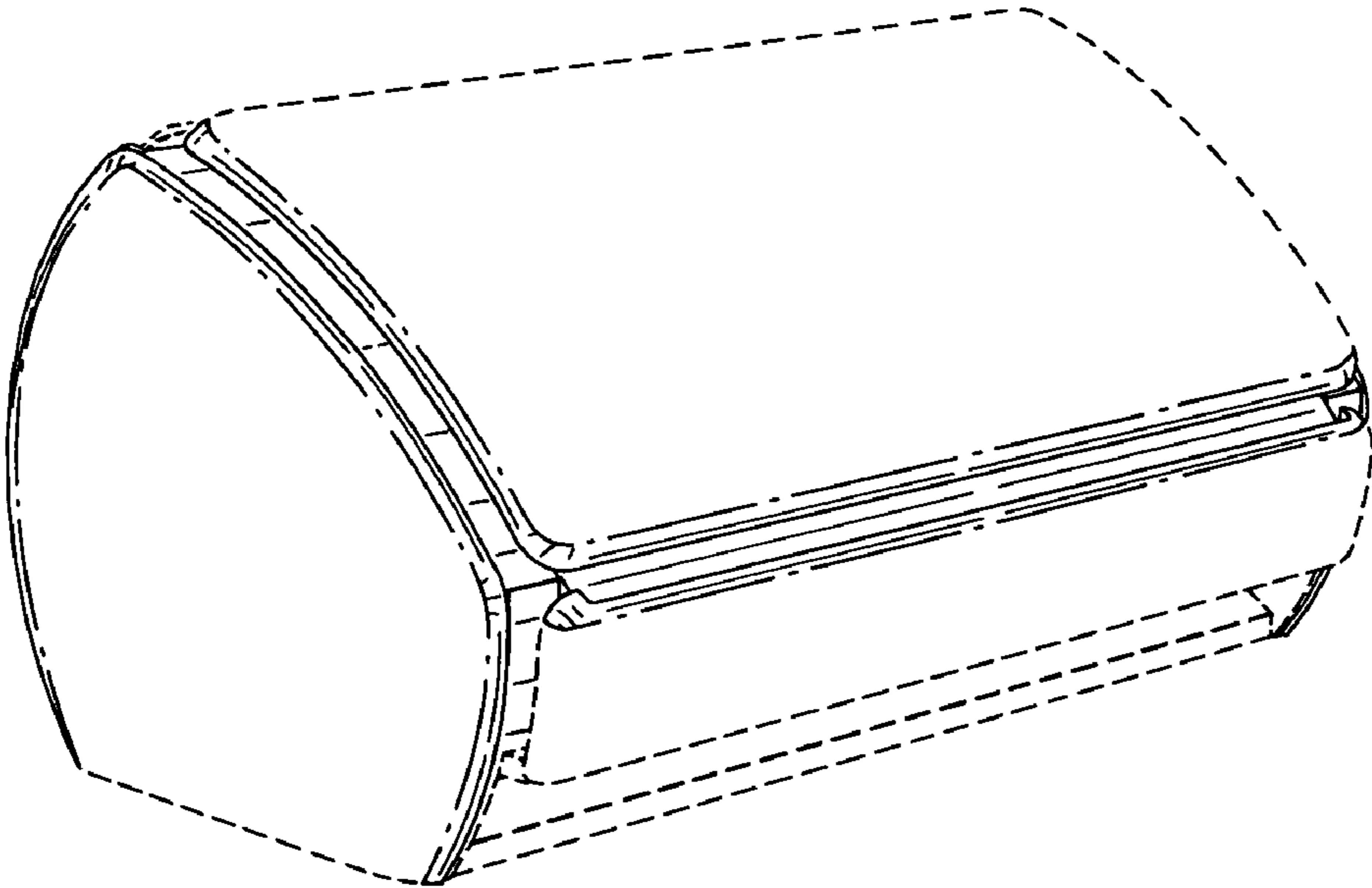


Fig.2

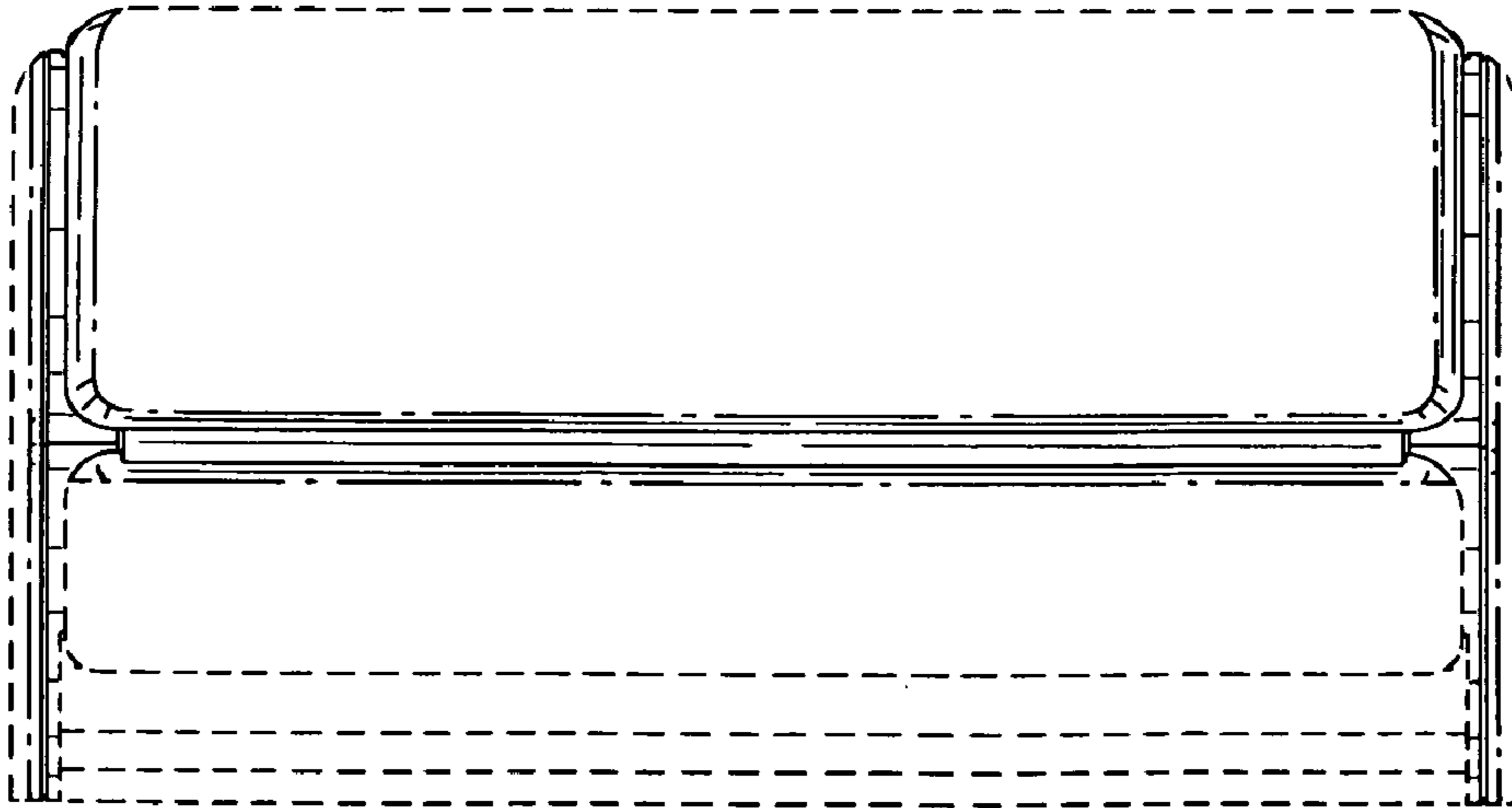


Fig.3

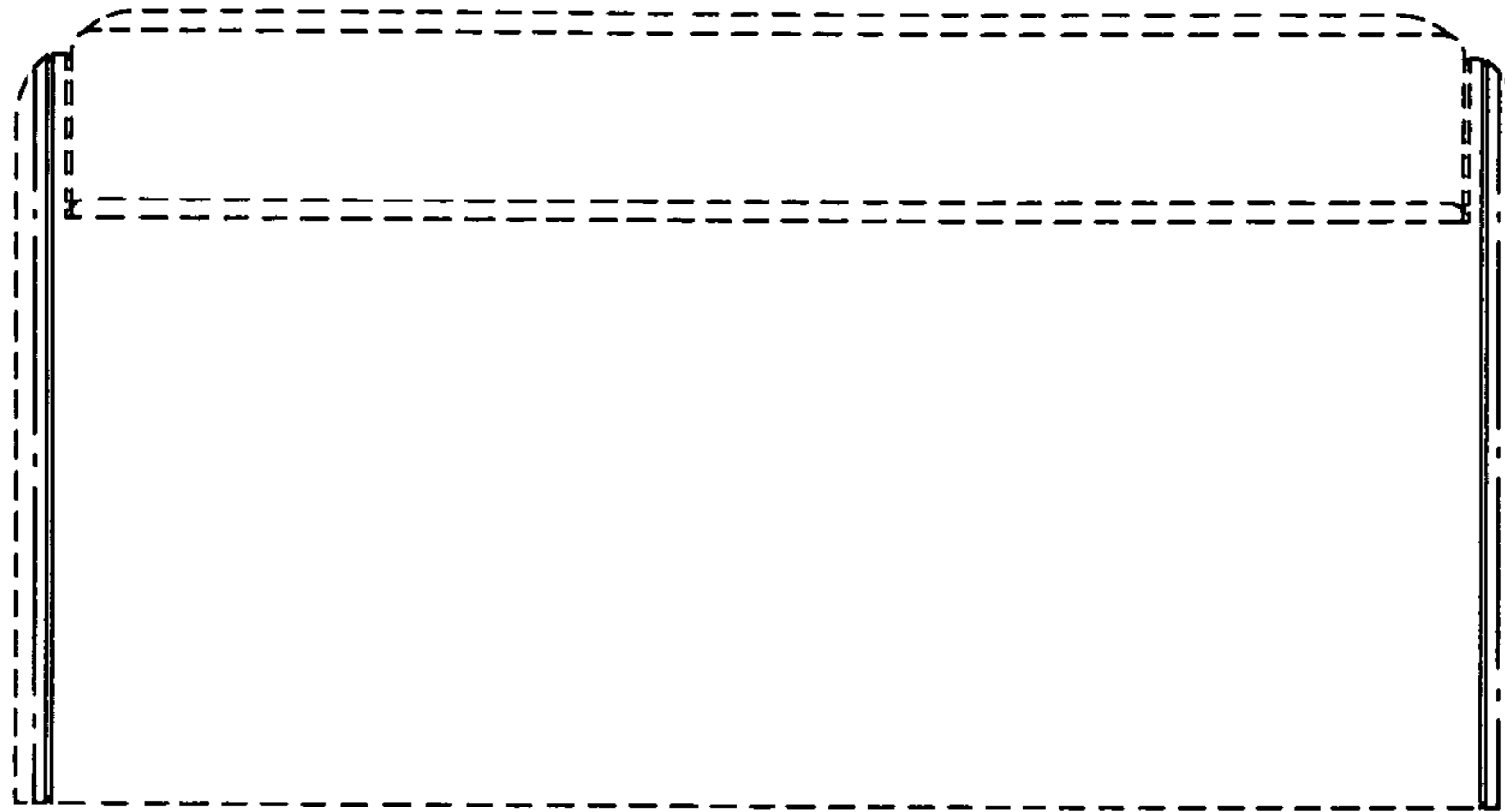


Fig.4

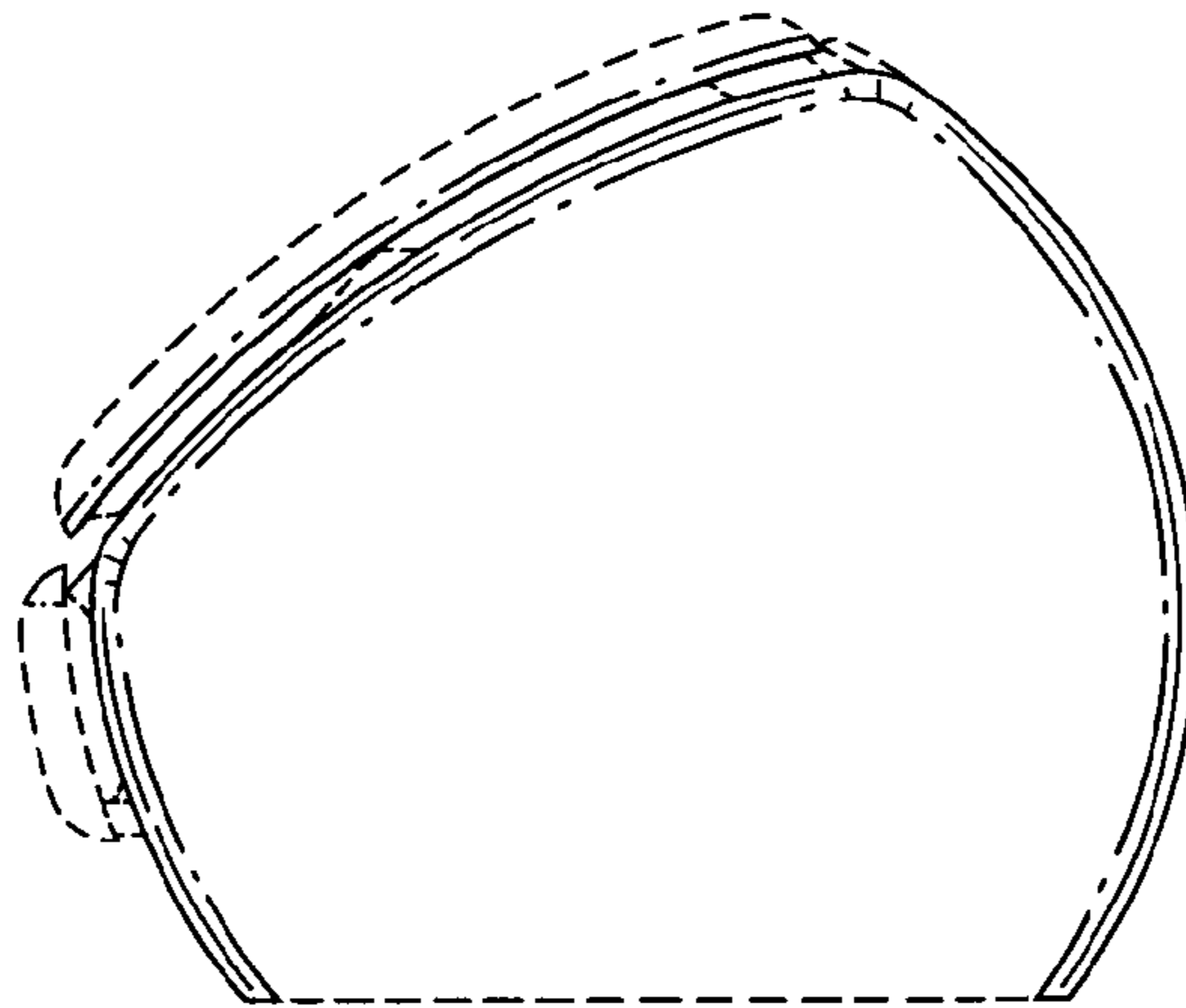


Fig.5

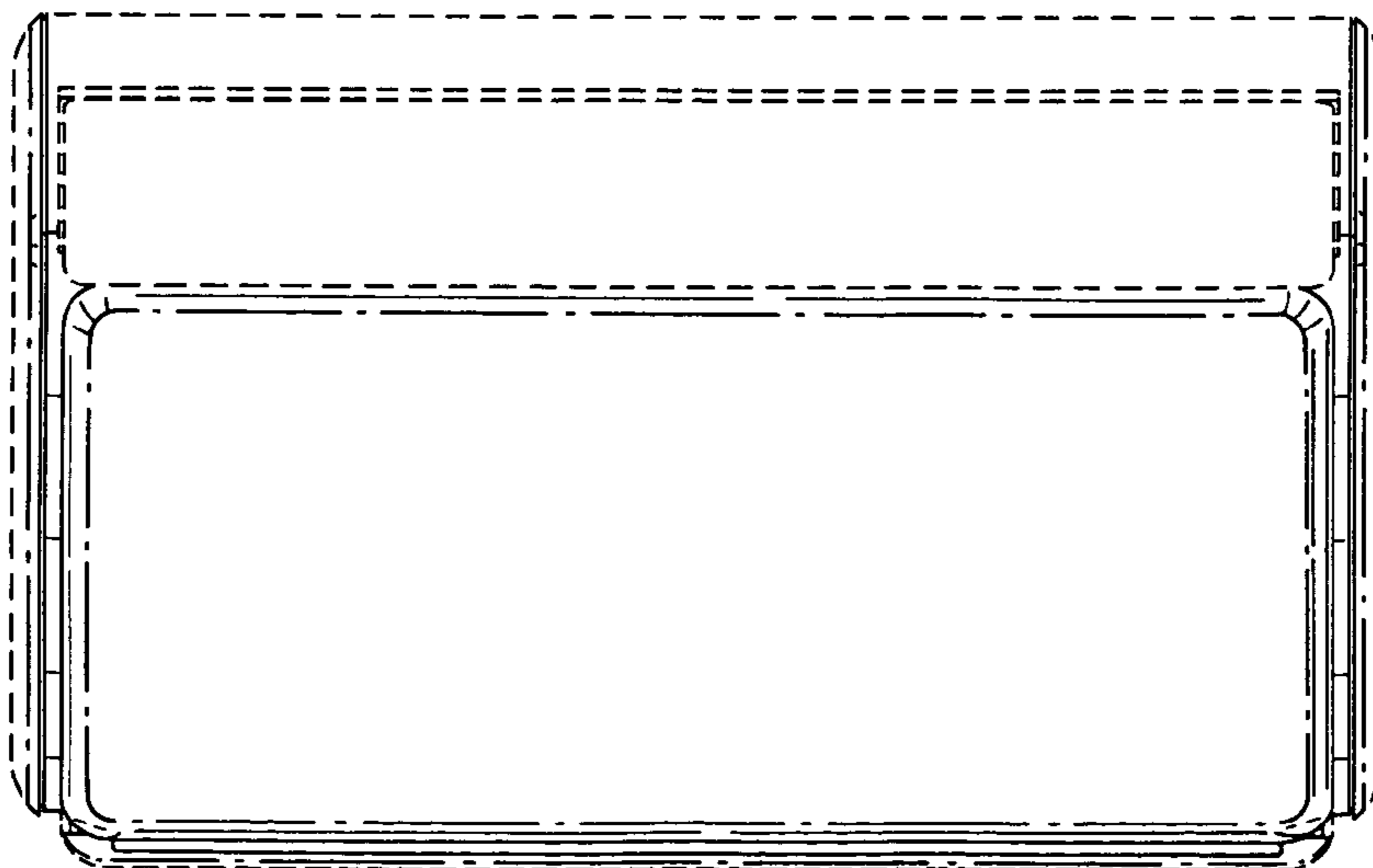


Fig.6

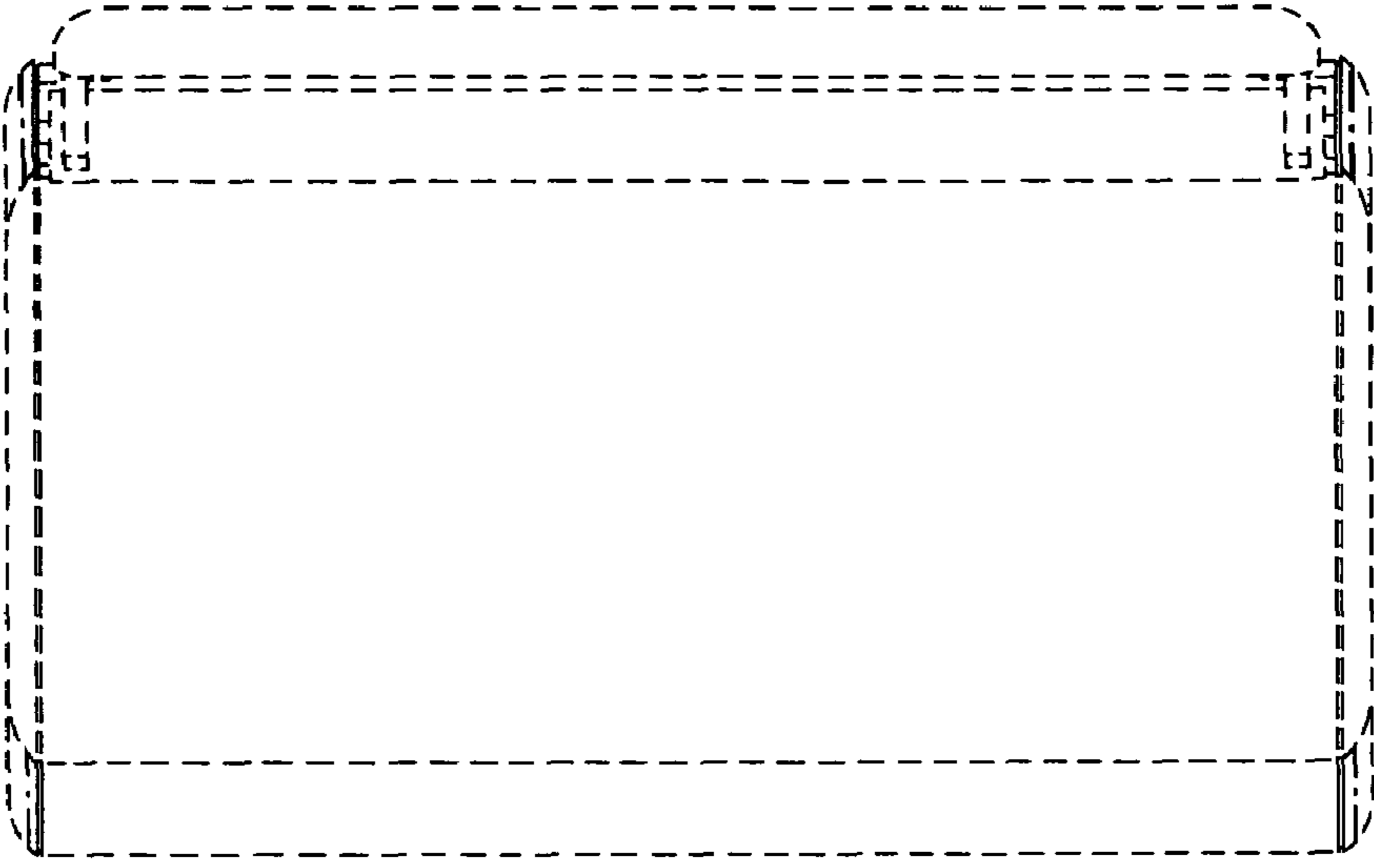


Fig.7

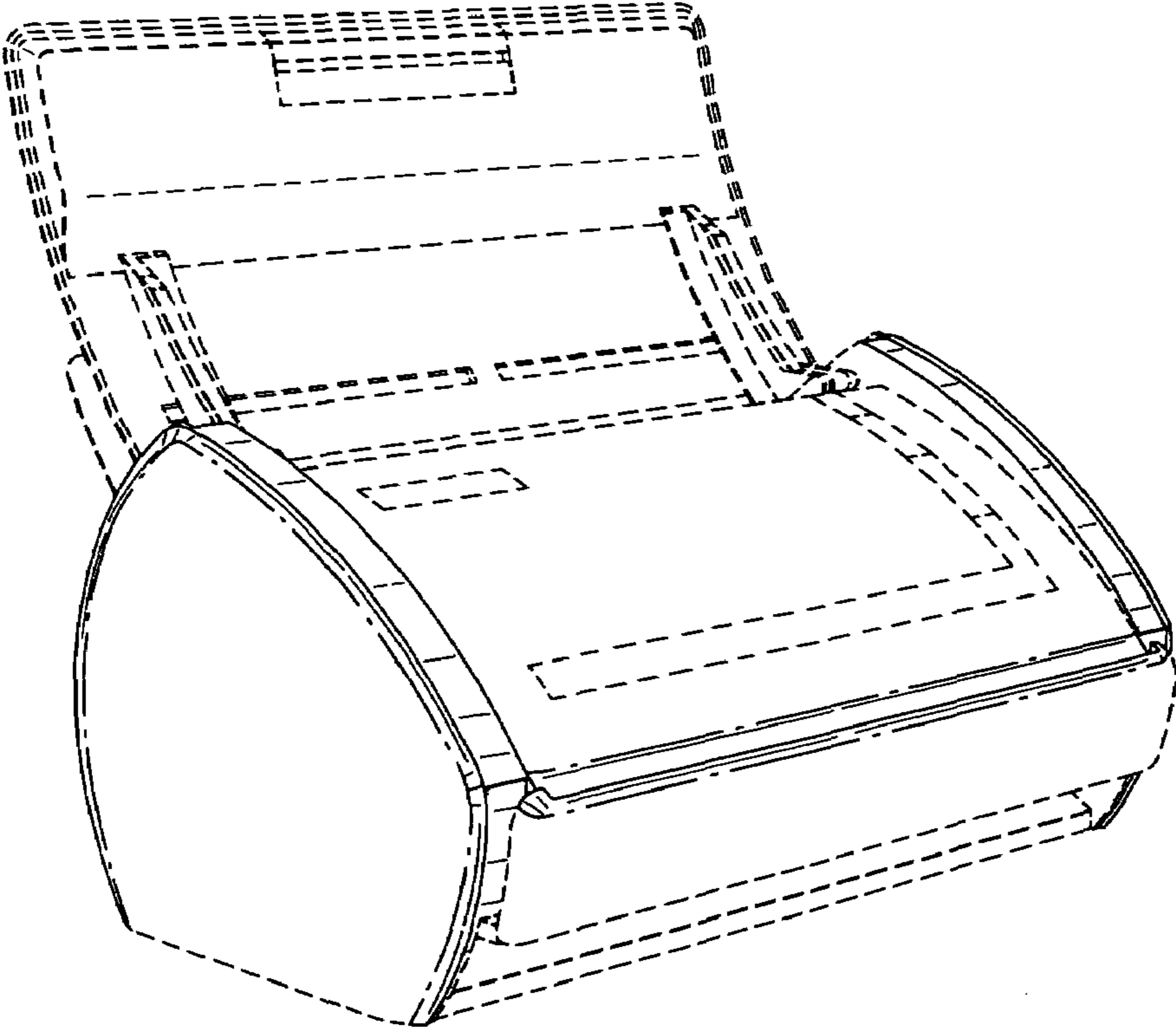


Fig.8

