



US00D610149S

(12) **United States Design Patent**  
**Kuroda et al.**

(10) **Patent No.:** **US D610,149 S**  
(45) **Date of Patent:** **\*\* Feb. 16, 2010**

(54) **SCANNER**

(75) Inventors: **Hiroyuki Kuroda**, Kahoku (JP);  
**Minoru Sugitani**, Kahoku (JP); **Toshiki Satoji**, Milan (IT)

(73) Assignee: **PFU Limited**, Ishikawa (JP)

(\*\*) Term: **14 Years**

(21) Appl. No.: **29/311,403**

(22) Filed: **Mar. 5, 2009**

(30) **Foreign Application Priority Data**

Sep. 5, 2008 (JP) ..... 2008-023003

(51) **LOC (9) Cl.** ..... **14-02**

(52) **U.S. Cl.** ..... **D14/422**

(58) **Field of Classification Search** ..... D14/420–425,  
D14/462–470, 389, 125, 399; D18/50, 54,  
D18/55, 53, 36–39, 14, 18–21, 49, 52, 51,  
D18/54.4; 358/400, 401, 448, 474, 486–488,  
358/496; 382/312, 317, 321, 315; 400/613,  
400/613.1–613.4, 690.1–690.4, 691–694,  
400/88, 175; 399/107, 379, 380, 211, 212;  
235/462.11, 462.41, 472.01, 470, 462.43;  
361/680, 681

See application file for complete search history.

(56) **References Cited**

**U.S. PATENT DOCUMENTS**

- D210,218 S \* 2/1968 Williams ..... D14/385
- D215,568 S \* 10/1969 Kellogg ..... D15/146
- D264,846 S \* 6/1982 Taguchi ..... D14/462
- D268,111 S \* 3/1983 Clemens ..... D18/54
- D277,133 S \* 1/1985 Houlihan ..... D24/165
- D279,783 S \* 7/1985 Jordan et al. .... D18/55
- 4,561,925 A \* 12/1985 Skerjanec et al. .... 53/374.8
- D285,965 S \* 9/1986 Nishibori et al. .... D24/165
- D286,437 S \* 10/1986 Nishibori ..... D24/165
- D292,976 S \* 12/1987 Kando ..... D14/466
- D295,186 S \* 4/1988 Hadtke ..... D18/54
- D297,051 S \* 8/1988 Kawamura ..... D24/165

- 4,806,036 A \* 2/1989 Ward et al. .... 400/691
- D304,722 S \* 11/1989 Hashimoto et al. .... D14/467
- D304,724 S \* 11/1989 Hashimoto et al. .... D14/467
- 4,976,559 A \* 12/1990 Inagaki ..... 400/691
- D315,360 S \* 3/1991 Tokuda et al. .... D18/54
- D315,361 S \* 3/1991 Kojima et al. .... D18/55
- D318,066 S \* 7/1991 Moro ..... D18/54
- D324,395 S \* 3/1992 Dubson ..... D18/54
- D326,678 S \* 6/1992 Uchibori et al. .... D18/55
- D331,774 S \* 12/1992 Saeki ..... D18/55
- D337,608 S \* 7/1993 Miyamoto ..... D18/55
- D343,636 S \* 1/1994 Horie et al. .... D18/55
- D348,054 S \* 6/1994 Minasian et al. .... D14/425
- D350,075 S \* 8/1994 Reeder ..... D10/94
- D369,181 S \* 4/1996 Kobayashi ..... D18/55
- D389,178 S \* 1/1998 Chow et al. .... D18/50
- D390,258 S \* 2/1998 Kawahara et al. .... D18/55

(Continued)

*Primary Examiner*—Susan Moon Lee

(74) *Attorney, Agent, or Firm*—Staas & Halsey LLP

(57) **CLAIM**

The ornamental design for a scanner, as shown and described.

**DESCRIPTION**

FIG. 1 is a front perspective view of a scanner showing our new design;

FIG. 2 is a front view thereof;

FIG. 3 is a rear view thereof;

FIG. 4 is a right side view thereof;

FIG. 5 is a top plan view thereof;

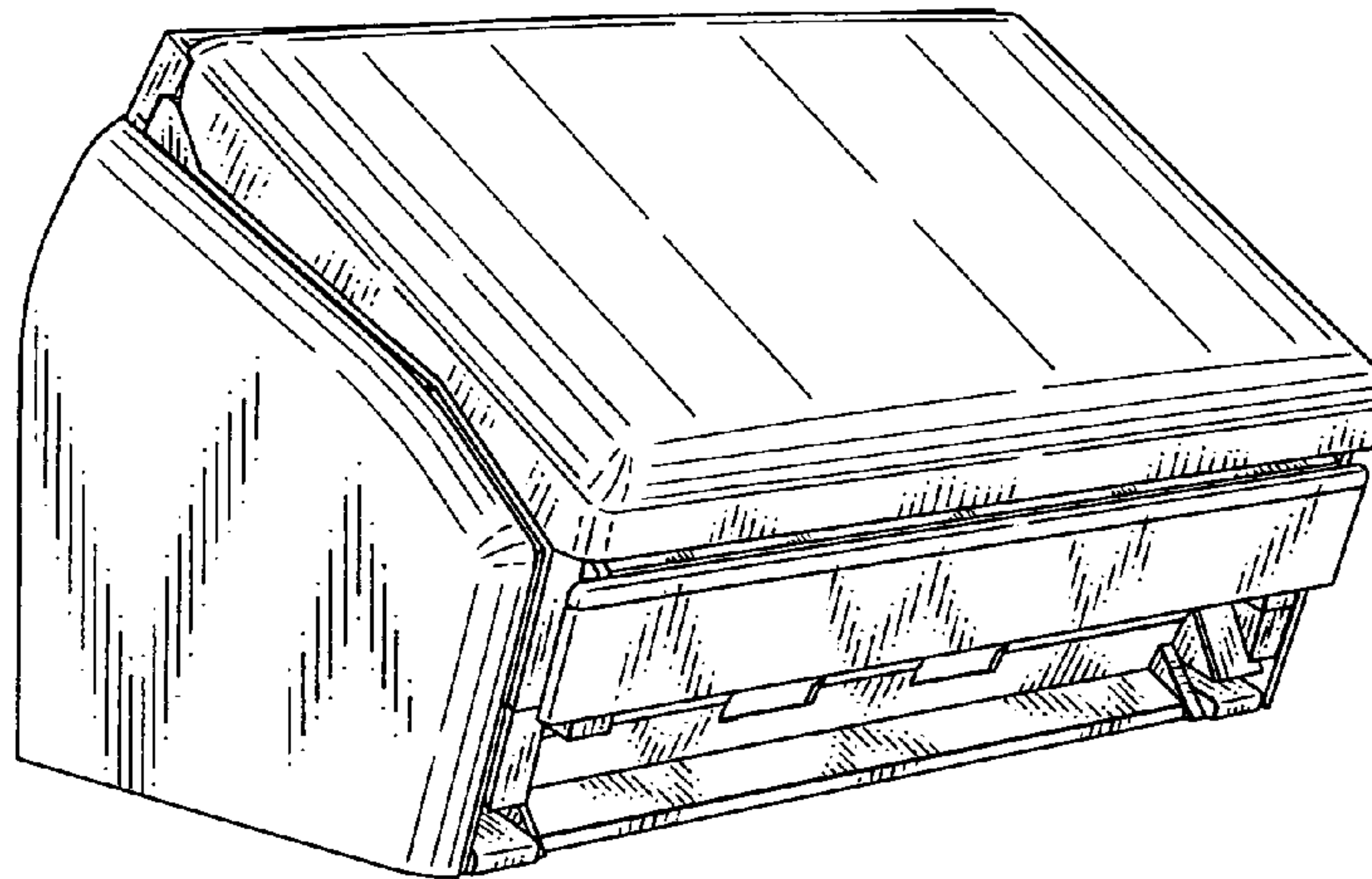
FIG. 6 is a bottom plan view thereof;

FIG. 7 is a front perspective view of the scanner with the top cover open; and,

FIG. 8 is a front perspective view thereof with the top cover and lower retention tray in an open position.

The portions depicted in broken line are not claimed.

**1 Claim, 4 Drawing Sheets**



# US D610,149 S

Page 2

## U.S. PATENT DOCUMENTS

D399,524	S *	10/1998	Nakajima	.....	D18/50
D401,271	S *	11/1998	Nakajima	.....	D18/55
D401,965	S *	12/1998	Pangburn	.....	D18/55
5,893,822	A *	4/1999	Deni et al.	.....	53/512
D414,508	S *	9/1999	Pangburn	.....	D18/55
D419,591	S *	1/2000	Pangburn	.....	D18/55
D419,973	S *	2/2000	Ueda	.....	D14/434
D420,663	S *	2/2000	Goldenberg et al.	.....	D14/138 AB
D422,570	S *	4/2000	Kobayashi	.....	D14/509
D424,099	S *	5/2000	Pangburn	.....	D18/50
D432,565	S *	10/2000	Gassett et al.	.....	D18/55
D433,442	S *	11/2000	Clark, III	.....	D18/55
D435,266	S *	12/2000	Sekine et al.	.....	D18/55
D437,414	S *	2/2001	Kern et al.	.....	D24/165
D438,894	S *	3/2001	Bishop et al.	.....	D18/55
D438,895	S *	3/2001	Pangburn	.....	D18/55
D439,607	S *	3/2001	Inoue et al.	.....	D18/54
6,231,043	B1 *	5/2001	James et al.	.....	271/209
D443,878	S *	6/2001	Sakata et al.	.....	D14/422
D444,813	S *	7/2001	Quijano	.....	D18/55
D445,451	S *	7/2001	Clark et al.	.....	D18/55
D446,306	S *	8/2001	Ochi et al.	.....	D24/186
D454,583	S *	3/2002	Whitby et al.	.....	D18/50
D463,485	S *	9/2002	Yoshida et al.	.....	D18/50
D466,917	S *	12/2002	Liu	.....	D18/36
D466,920	S *	12/2002	Kawahara et al.	.....	D18/50
D474,806	S *	5/2003	Yamano et al.	.....	D18/55
D475,052	S *	5/2003	Chujou et al.	.....	D14/422
6,568,674	B2 *	5/2003	Matsuda	.....	271/274
D483,059	S *	12/2003	Goh et al.	.....	D18/50
6,707,584	B1 *	3/2004	Morita	.....	358/498
D497,940	S *	11/2004	Hwang et al.	.....	D18/50
D498,786	S *	11/2004	Suzuki et al.	.....	D18/55
D499,759	S *	12/2004	Kobayashi et al.	.....	D18/55
D518,826	S *	4/2006	Chujou et al.	.....	D14/422
7,029,113	B2 *	4/2006	Hwang	.....	347/108
D523,469	S *	6/2006	Hwang et al.	.....	D18/50
7,134,259	B2 *	11/2006	Huang	.....	53/512
D533,897	S *	12/2006	Workman et al.	.....	D18/34.3
D536,370	S *	2/2007	Smolenski et al.	.....	D18/50
D549,705	S *	8/2007	Sugitani et al.	.....	D14/422
7,265,869	B2 *	9/2007	Silverbrook et al.	.....	358/1.3
7,290,952	B2 *	11/2007	Kagami	.....	400/693
D563,413	S *	3/2008	Kuroda et al.	.....	D14/422
D571,370	S *	6/2008	Sugitani et al.	.....	D14/422
D571,807	S *	6/2008	Ogawa	.....	D14/422
7,431,447	B2 *	10/2008	Jensen	.....	347/108
D579,972	S *	11/2008	Meda et al.	.....	D18/50
D583,060	S *	12/2008	Kitamura et al.	.....	D24/165
D601,259	S *	9/2009	Guthrie et al.	.....	D24/169
2003/0030712	A1 *	2/2003	Kawaguchi et al.	.....	347/104
2003/0110741	A1 *	6/2003	Wang	.....	53/512
2004/0207144	A1 *	10/2004	Kanome et al.	.....	271/9.01
2005/0050856	A1 *	3/2005	Baptista	.....	53/434

\* cited by examiner

Fig.1

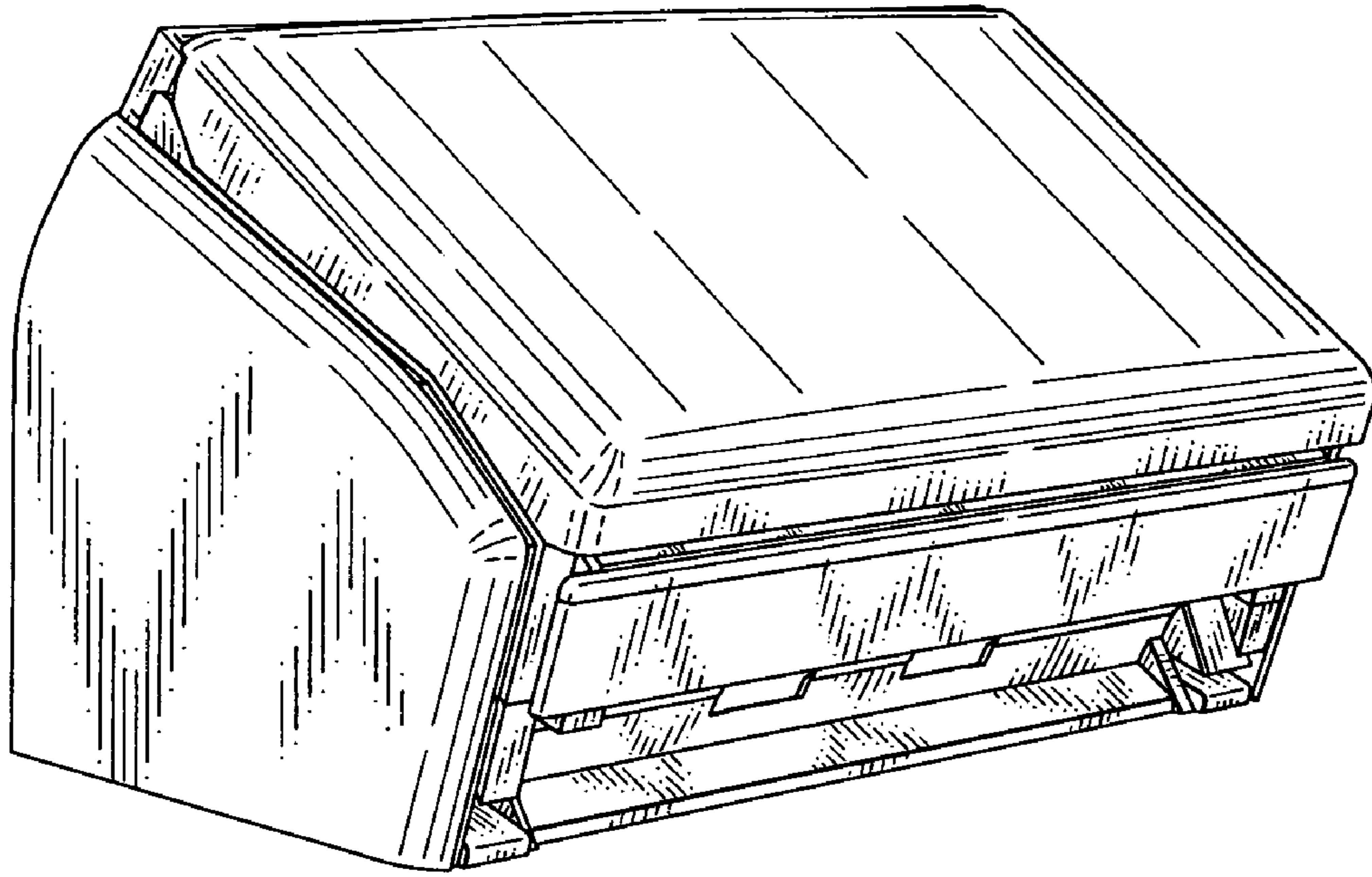


Fig.2

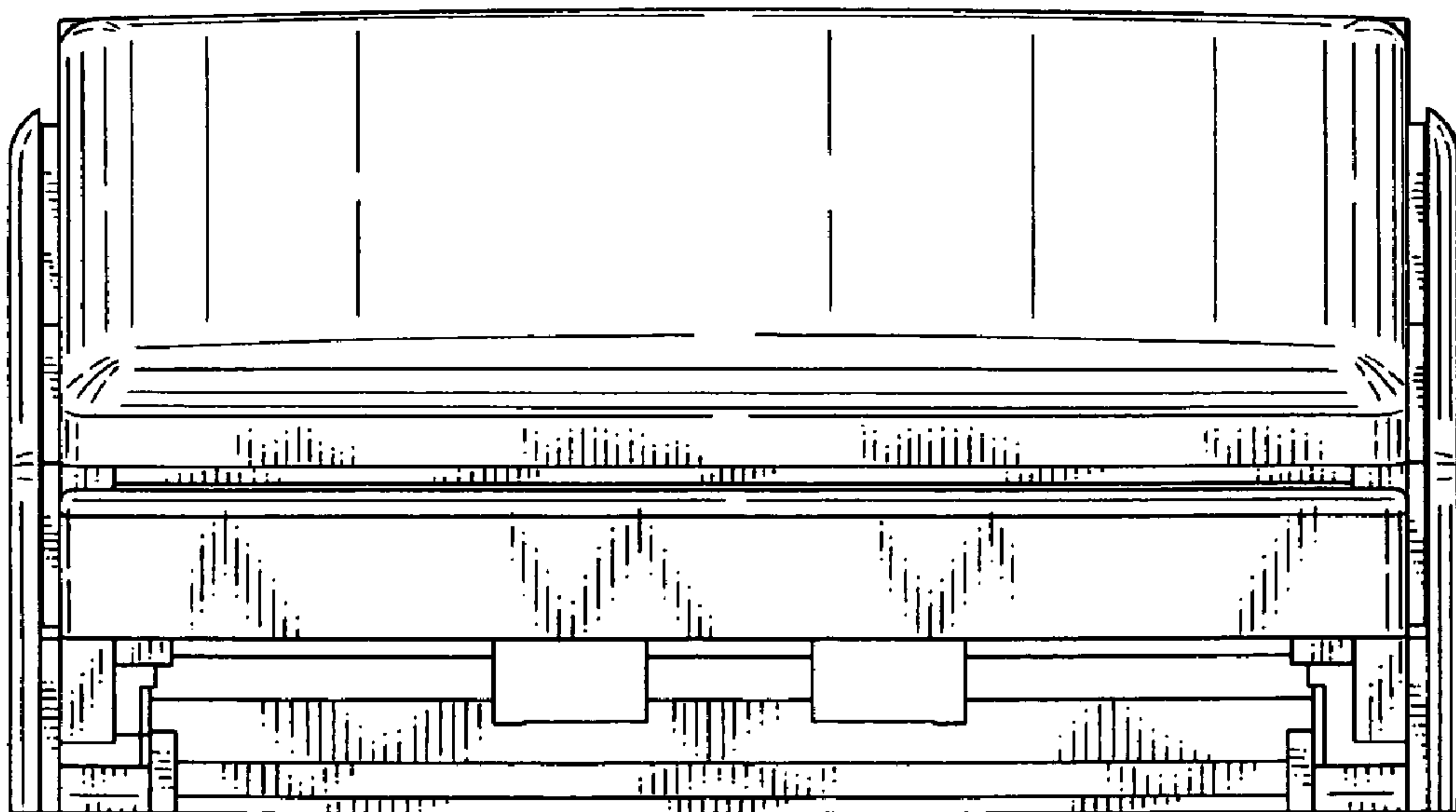




Fig.3

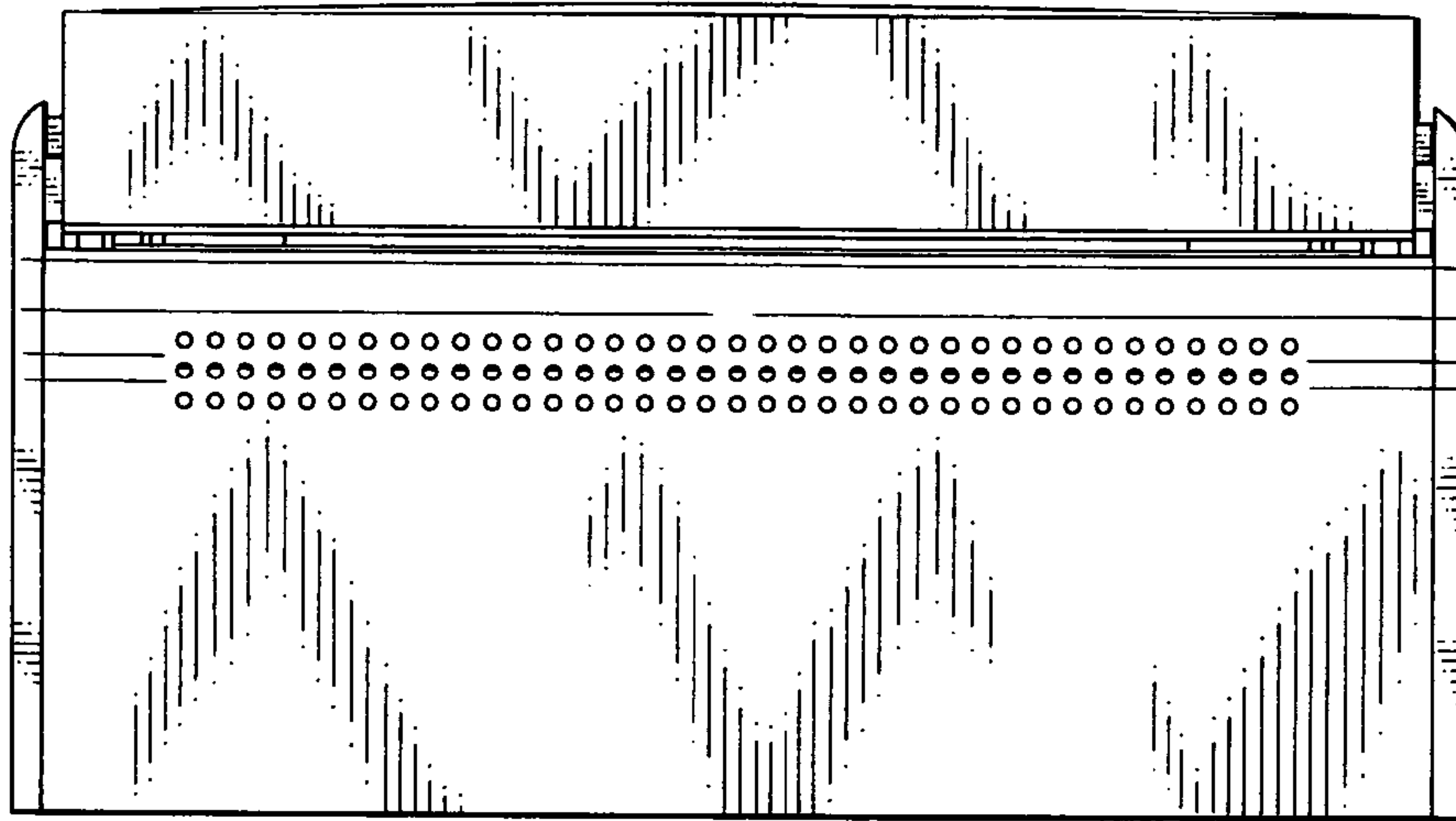


Fig.4

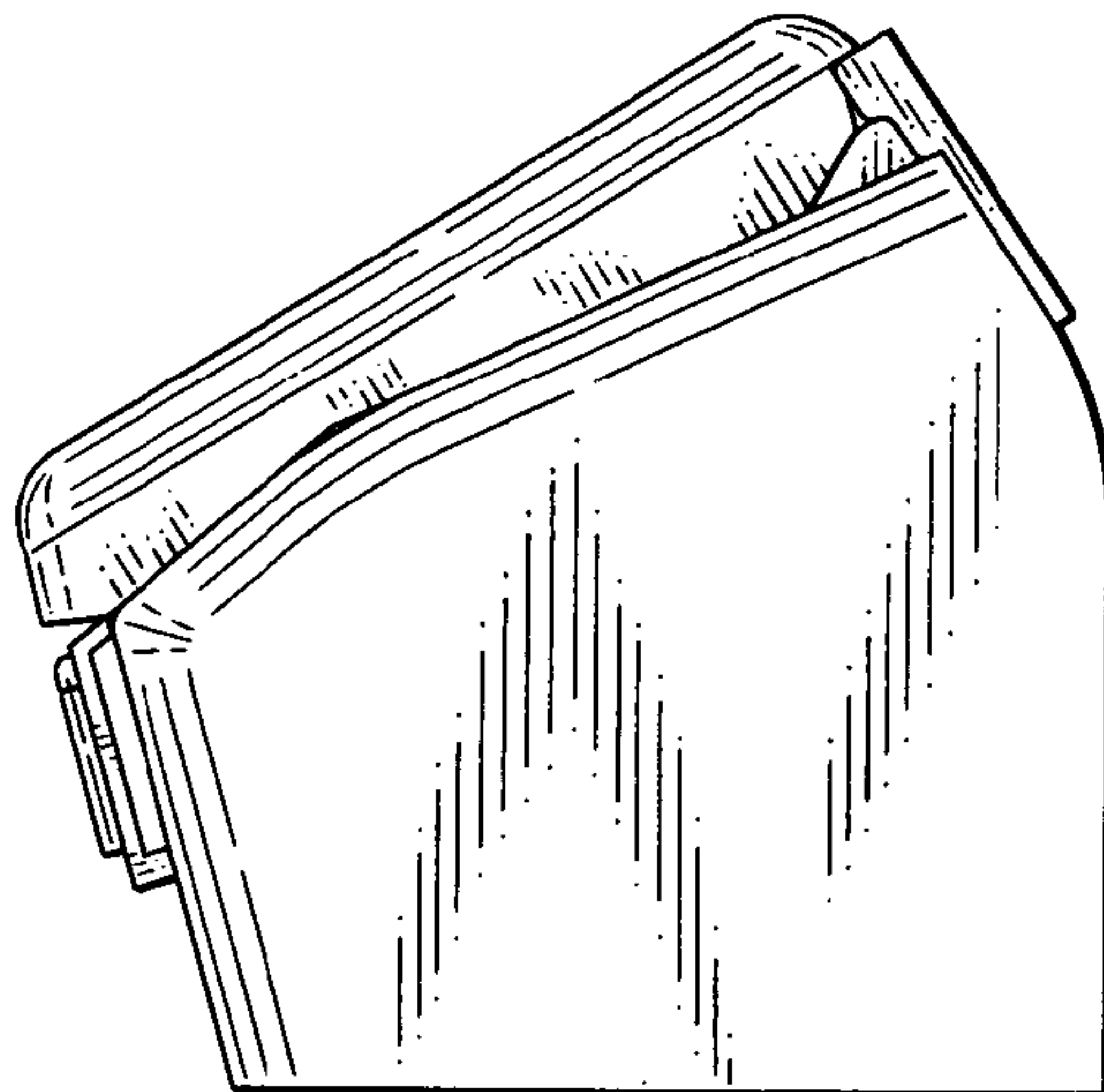


Fig.5

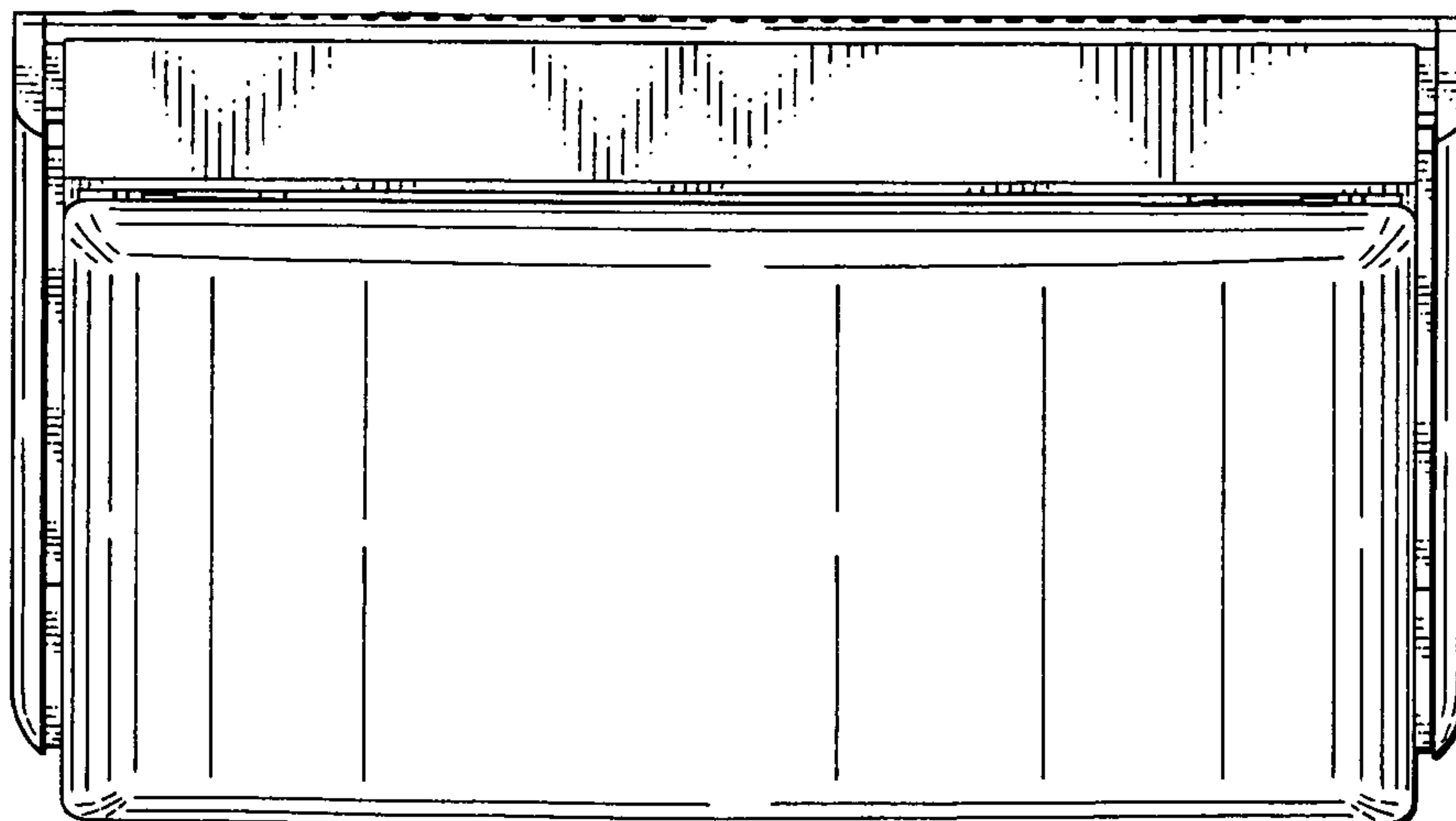


Fig.6

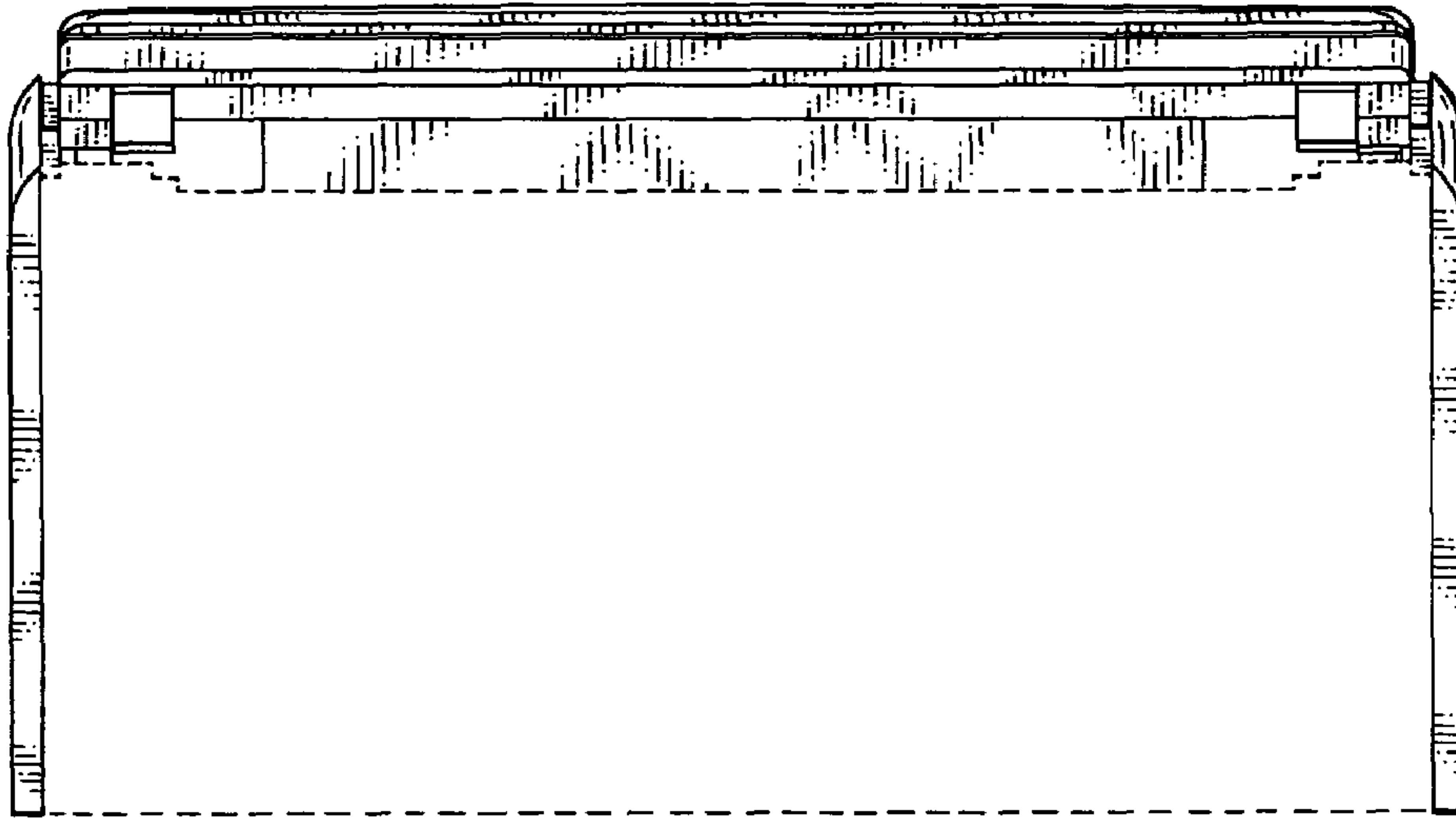


Fig.7

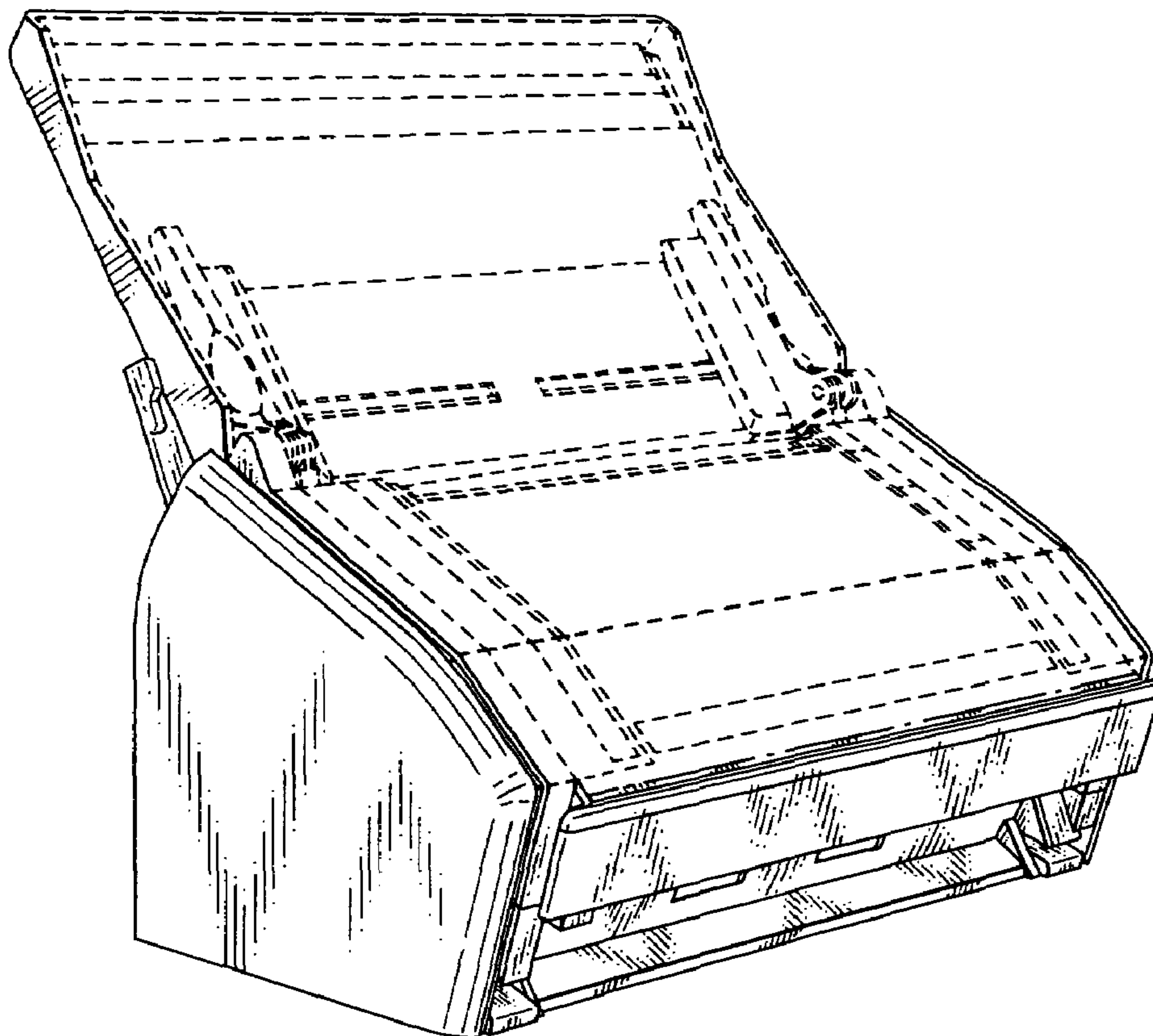


Fig.8

