

US00D610146S

(12) **United States Design Patent**
Kuroda et al.

(10) **Patent No.:** **US D610,146 S**
(45) **Date of Patent:** **** Feb. 16, 2010**

(54) **SCANNER**

(75) Inventors: **Hiroyuki Kuroda**, Kahoku (JP);
Minoru Sugitani, Kahoku (JP); **Toshiki Satoji**, Milan (IT)

(73) Assignee: **PFU Limited**, Ishikawa (JP)

(**) Term: **14 Years**

(21) Appl. No.: **29/311,392**

(22) Filed: **Mar. 5, 2009**

(30) **Foreign Application Priority Data**

Sep. 5, 2008 (JP) 2008-022971

(51) **LOC (9) Cl.** **14-02**

(52) **U.S. Cl.** **D14/422**

(58) **Field of Classification Search** D14/420–425,
D14/462–470, 389, 125, 399; D18/50, 54,
D18/55, 53, 36–39, 14, 18–21, 49, 52, 51,
D18/54.4; 358/400, 401, 448, 474, 486–488,
358/496; 382/312, 317, 321, 315; 400/613,
400/613.1–613.4, 690.1–690.4, 691–694,
400/88, 175; 399/107, 379, 380, 211, 212;
235/462.11, 462.41, 472.01, 470, 462.43;
361/680, 681

See application file for complete search history.

(56) **References Cited**

U.S. PATENT DOCUMENTS

D316,869 S *	5/1991	Sugawara et al.	D18/54
D366,900 S *	2/1996	Pangburn et al.	D18/50
D373,595 S *	9/1996	Askren et al.	D18/50
D375,119 S *	10/1996	Pangburn	D18/50
D382,256 S *	8/1997	Lin	D14/422
D401,965 S *	12/1998	Pangburn	D18/55
D414,508 S *	9/1999	Pangburn	D18/55
D420,663 S *	2/2000	Goldenberg et al.	D14/138 AB
D421,768 S *	3/2000	Blair et al.	D18/50
D422,570 S *	4/2000	Kobayashi	D14/509
D423,563 S *	4/2000	Collins et al.	D18/55
D424,099 S *	5/2000	Pangburn	D18/50

D432,565 S *	10/2000	Gassett et al.	D18/55
D433,443 S *	11/2000	Ito et al.	D18/55
D435,266 S *	12/2000	Sekine et al.	D18/55
D435,267 S *	12/2000	Beck et al.	D18/55
D438,895 S *	3/2001	Pangburn	D18/55
D439,607 S *	3/2001	Inoue et al.	D18/54
6,231,043 B1 *	5/2001	James et al.	271/209
D452,706 S *	1/2002	Senshiki	D18/55
D454,583 S *	3/2002	Whitby et al.	D18/50
D463,485 S *	9/2002	Yoshida et al.	D18/50
D465,515 S *	11/2002	Hwang et al.	D18/55
D466,552 S *	12/2002	Hwang et al.	D18/55
D466,920 S *	12/2002	Kawahara et al.	D18/50
D470,172 S *	2/2003	Tatara et al.	D18/55
6,540,219 B1 *	4/2003	Naruse et al.	271/37
D474,770 S *	5/2003	Chujou et al.	D14/425

(Continued)

Primary Examiner—Susan Moon Lee

(74) *Attorney, Agent, or Firm*—Staas & Halsey LLP

(57) **CLAIM**

The ornamental design for a scanner, as shown and described.

DESCRIPTION

FIG. 1 is a front perspective view of a scanner showing our new design;

FIG. 2 is a front view thereof;

FIG. 3 is a rear view thereof;

FIG. 4 is a right side view thereof;

FIG. 5 is a top plan view thereof;

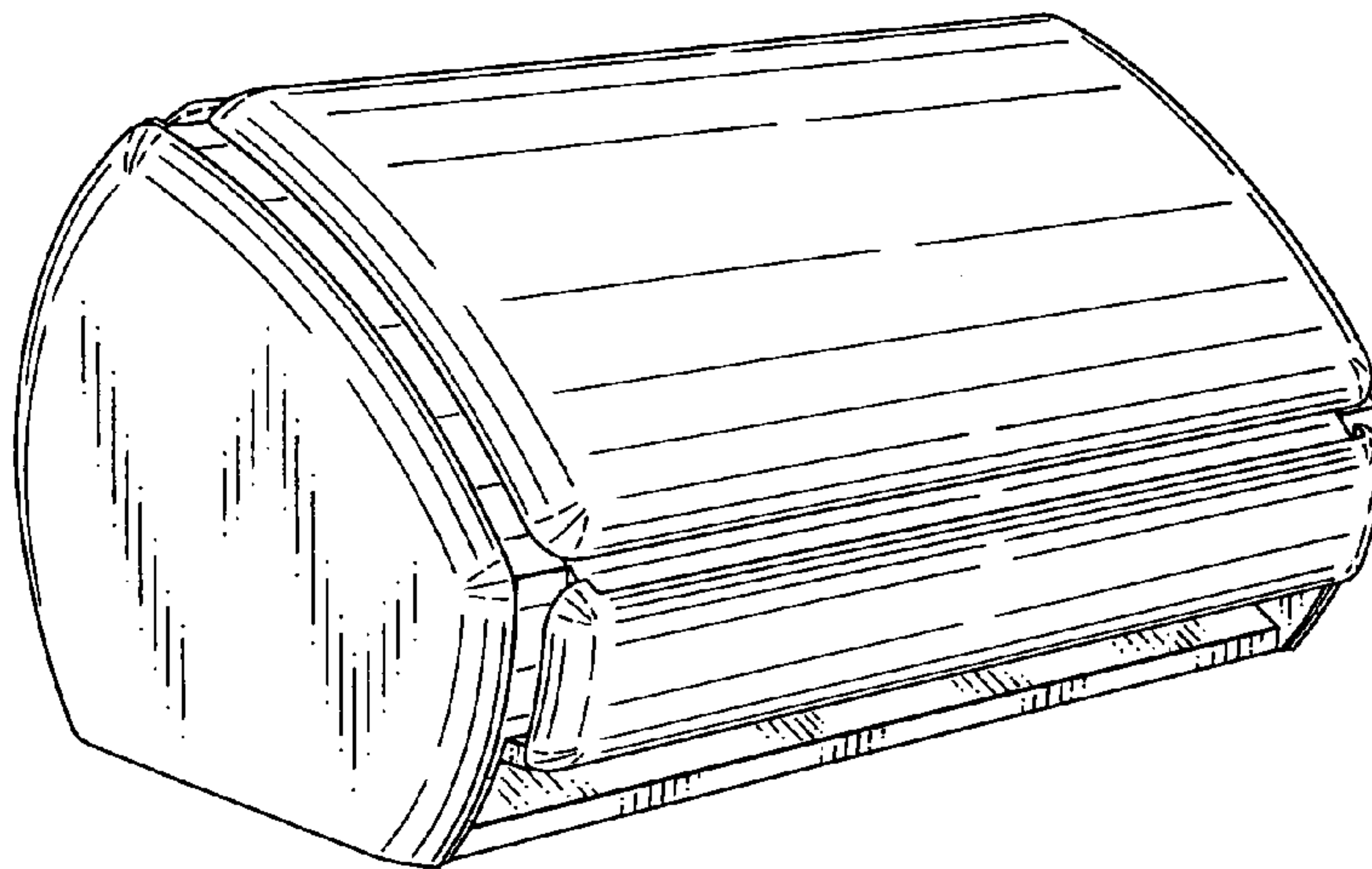
FIG. 6 is a bottom plan view thereof;

FIG. 7 is a front perspective view of the scanner with the top cover open; and,

FIG. 8 is a front perspective view thereof with the top cover and lower tray in an open position.

The portions depicted in broken line are not claimed. The dash-dot-dash lines represent the boundary between the claimed design and disclaimed portions, which also forms no part of claim.

1 Claim, 4 Drawing Sheets



US D610,146 S

Page 2

U.S. PATENT DOCUMENTS

6,557,992	B1 *	5/2003	Dwyer et al.	347/108	6,991,331	B2 *	1/2006	Kagami et al.	347/108
6,568,674	B2 *	5/2003	Matsuda	271/274	7,029,113	B2 *	4/2006	Hwang	347/108
D478,119	S *	8/2003	Hwang et al.	D18/55	D523,469	S *	6/2006	Hwang et al.	D18/50
D480,752	S *	10/2003	Tatara et al.	D18/55	D524,851	S *	7/2006	Wong et al.	D18/55
D483,059	S *	12/2003	Goh et al.	D18/50	D533,897	S *	12/2006	Workman et al.	D18/34.3
D483,060	S *	12/2003	Wong et al.	D18/50	D534,204	S *	12/2006	Workman et al.	D18/34.3
D483,061	S *	12/2003	Wong	D18/55	D536,731	S *	2/2007	Tate et al.	D18/50
6,676,318	B2 *	1/2004	Hwang et al.	400/693	D543,583	S *	5/2007	Workman et al.	D18/34.3
D486,178	S *	2/2004	Wong et al.	D18/55	D545,891	S *	7/2007	Ramos et al.	D18/49
6,707,584	B1 *	3/2004	Morita	358/498	D549,705	S *	8/2007	Sugitani et al.	D14/422
D489,401	S *	5/2004	Senshiki et al.	D18/54	7,265,869	B2 *	9/2007	Silverbrook et al.	358/1.3
D492,960	S *	7/2004	Takizawa	D18/54	7,290,952	B2 *	11/2007	Kagami	400/693
6,786,665	B2 *	9/2004	Hwang et al.	400/693	D563,413	S *	3/2008	Kuroda et al.	D14/422
D497,940	S *	11/2004	Hwang et al.	D18/50	D564,519	S *	3/2008	Genatossio et al.	D14/422
6,848,685	B2 *	2/2005	Katsuyama	271/162	7,431,447	B2 *	10/2008	Jensen	347/108
6,899,422	B2 *	5/2005	Strowe et al.	347/108	2003/0030712	A1 *	2/2003	Kawaguchi et al.	347/104
6,899,474	B2 *	5/2005	Uchida et al.	400/27	2003/0206762	A1 *	11/2003	Hwang et al.	400/693
6,962,412	B2 *	11/2005	Koike et al.	347/108	2004/0004642	A1 *	1/2004	Koike et al.	347/5
D514,161	S *	1/2006	Wong et al.	D18/55	2004/0207144	A1 *	10/2004	Kanome et al.	271/9.01

* cited by examiner

Fig. 1

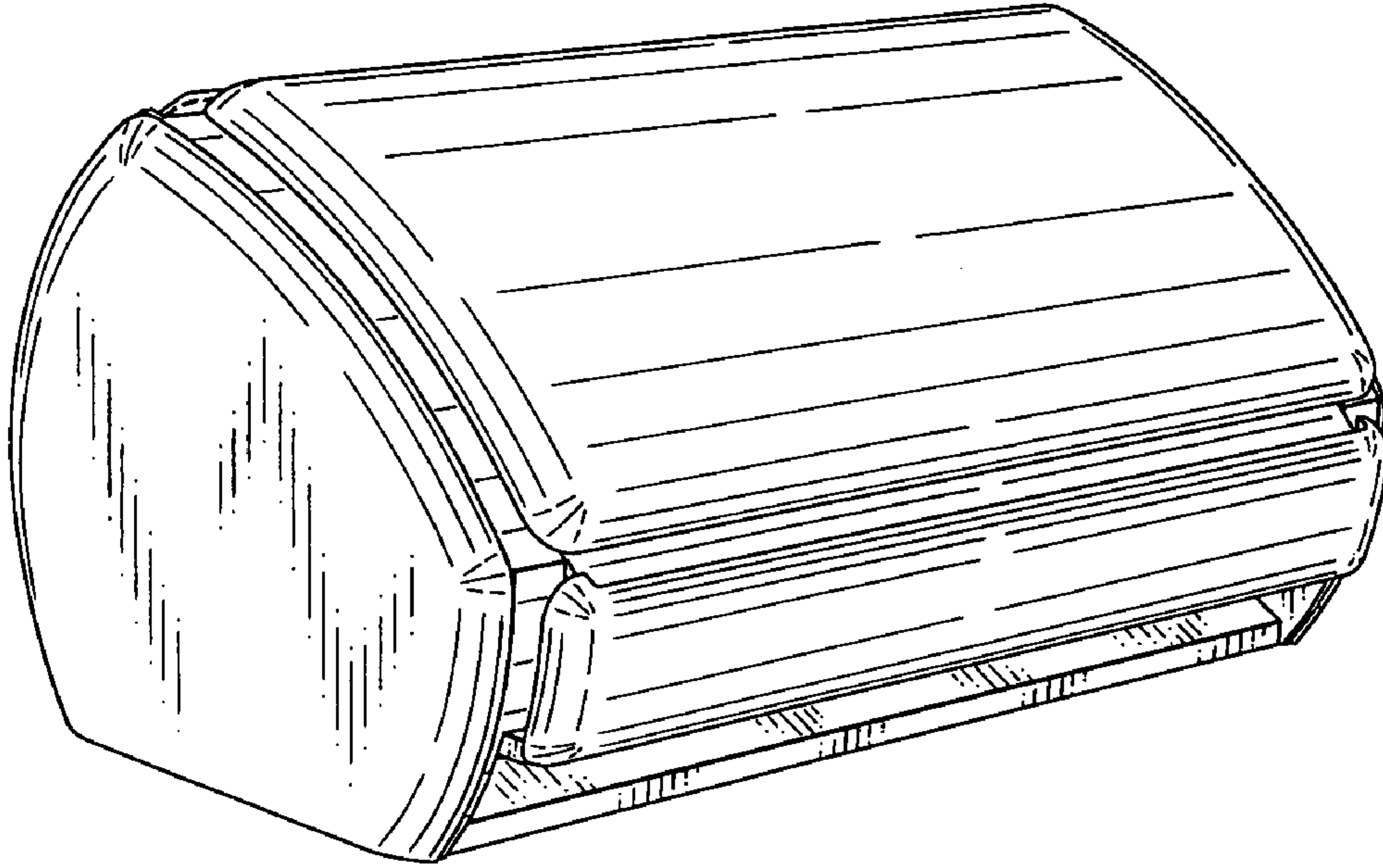


Fig. 2

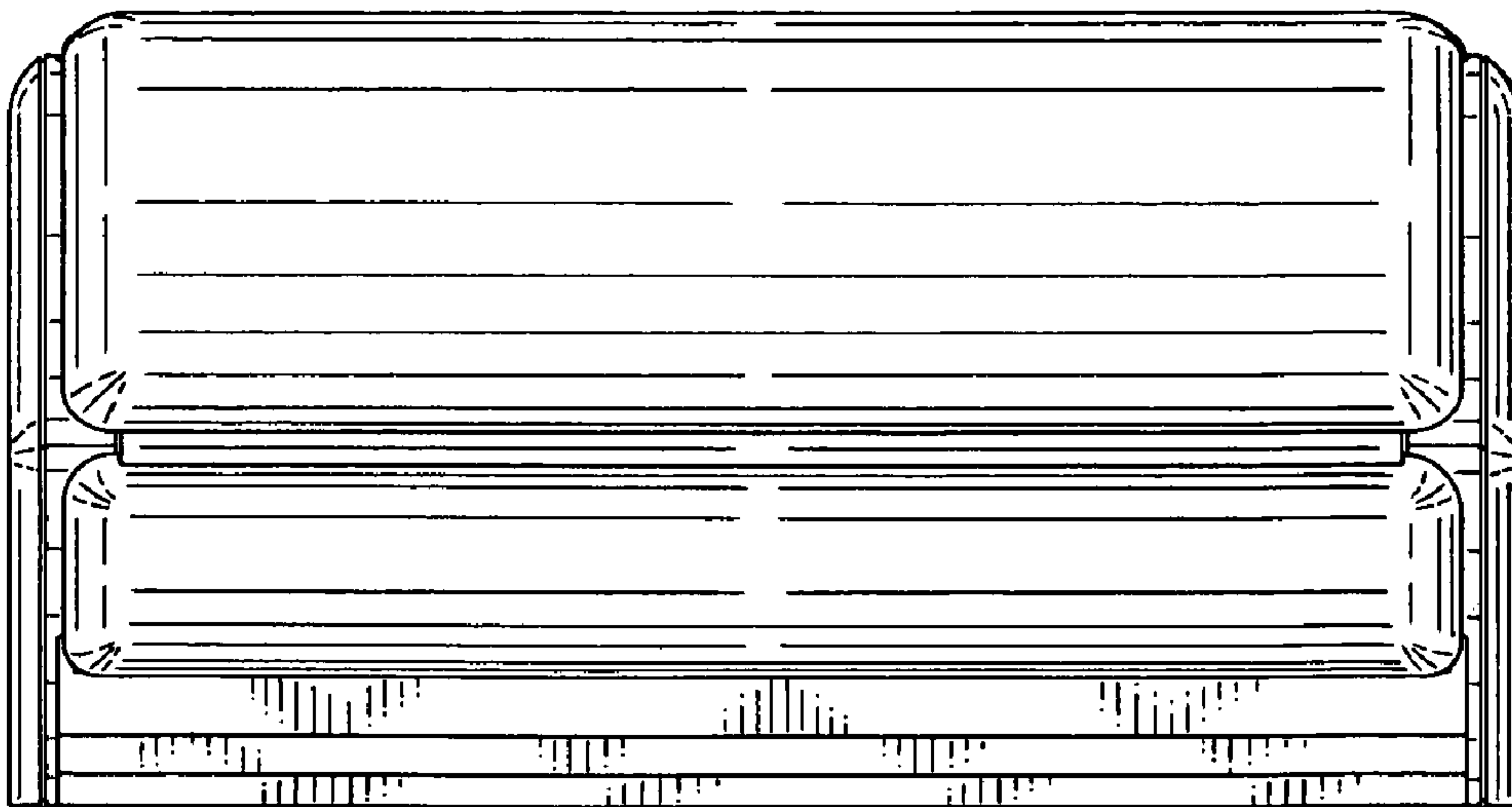


Fig.3

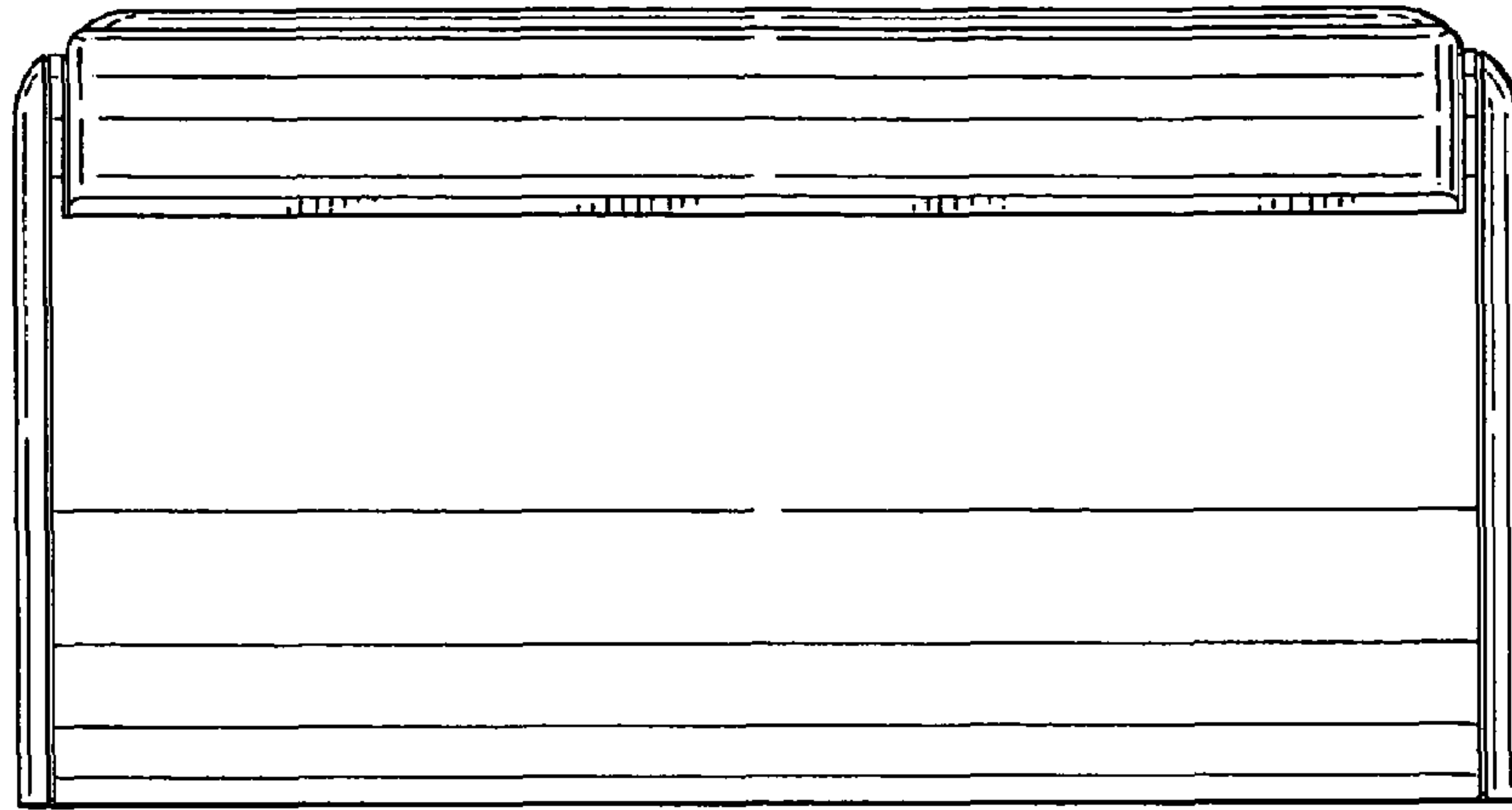


Fig.4

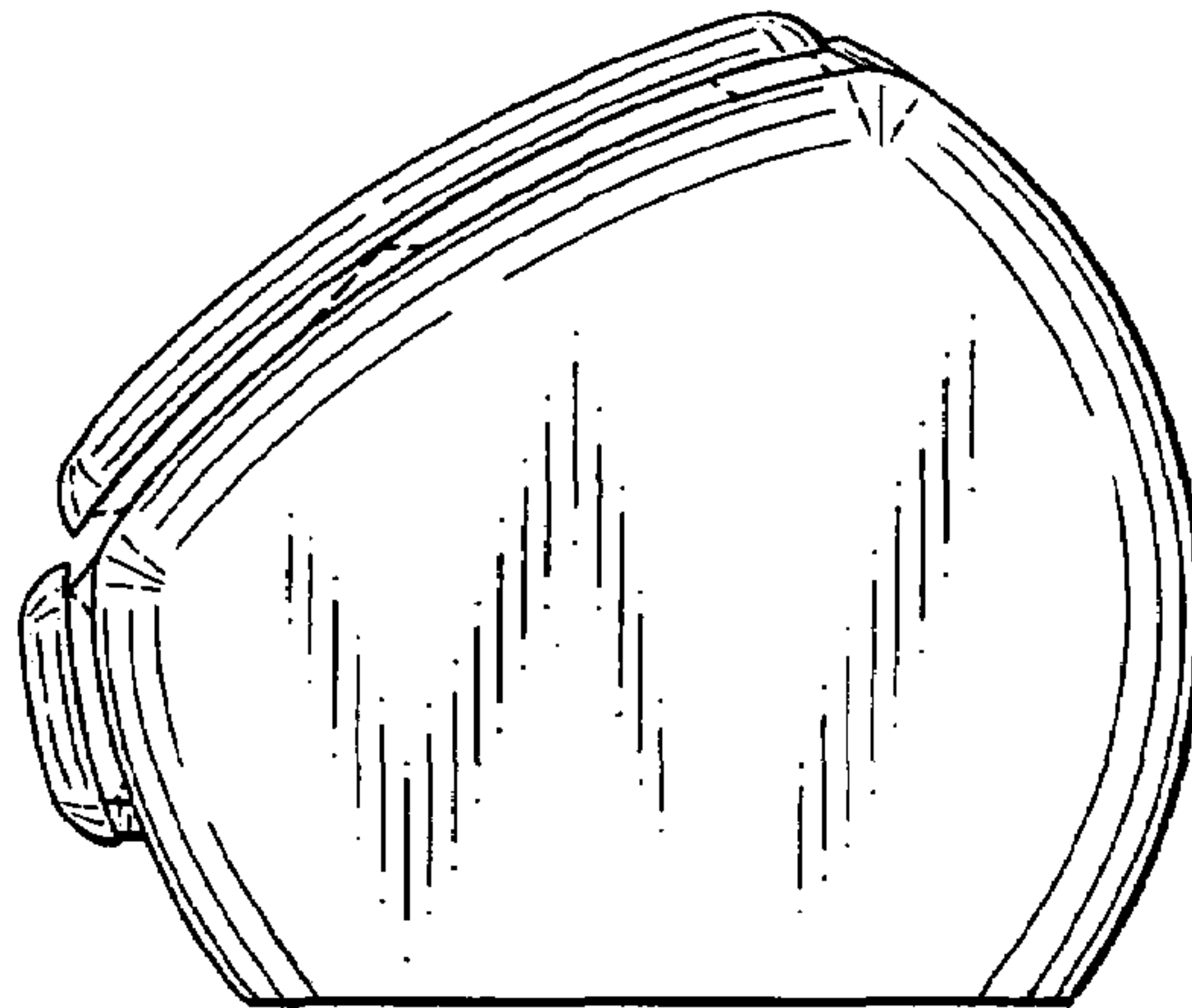


Fig.5

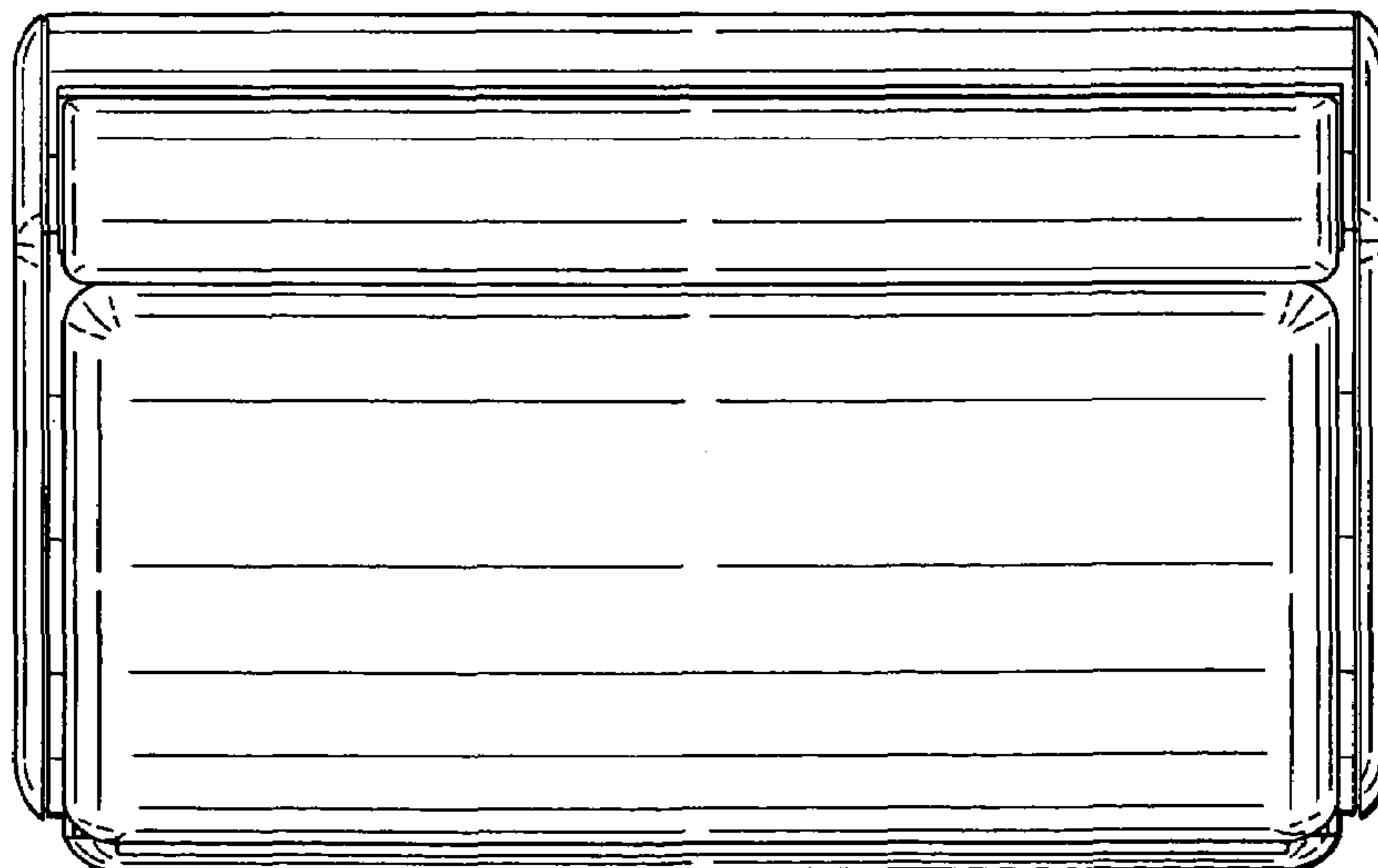


Fig.6

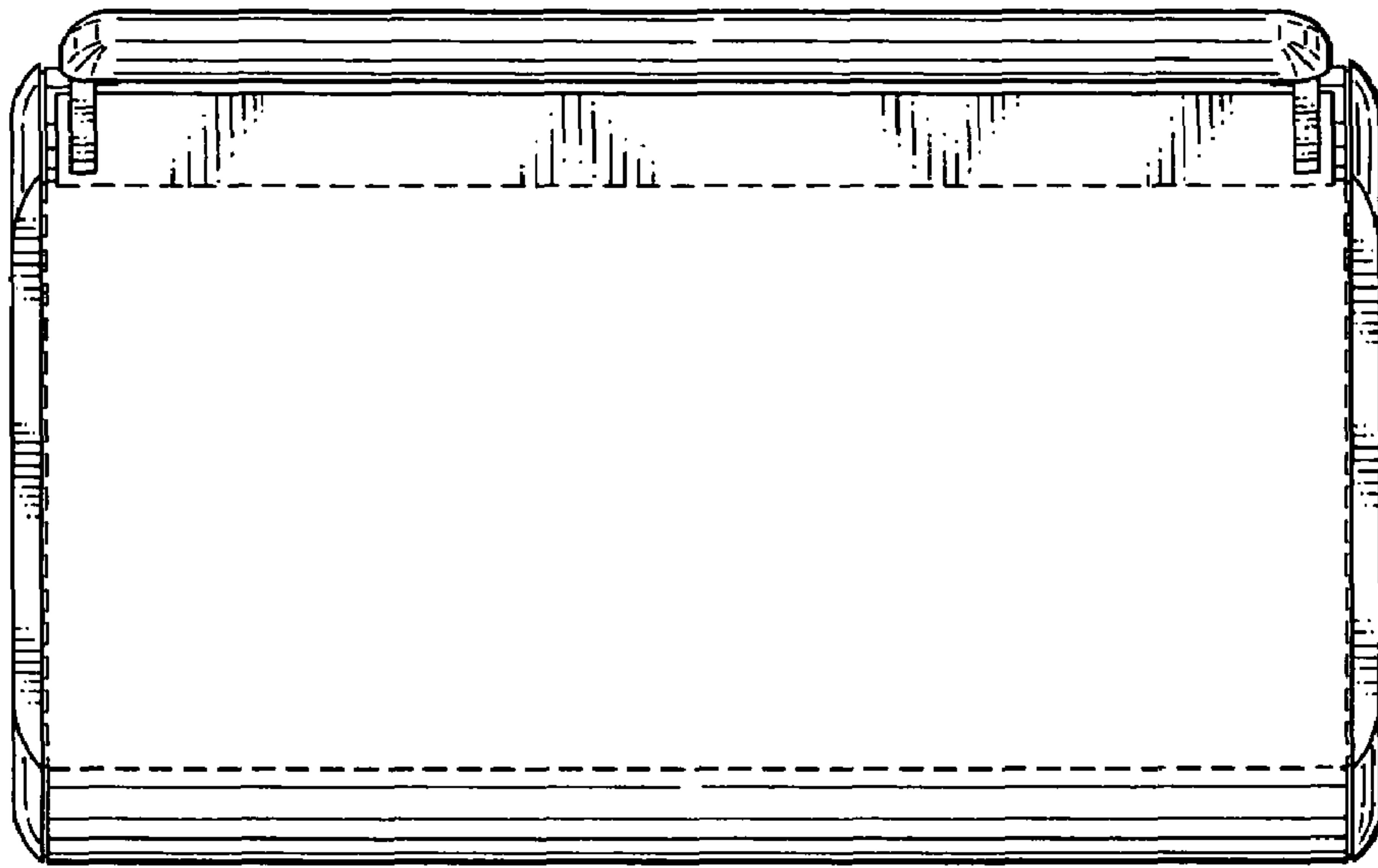


Fig.7

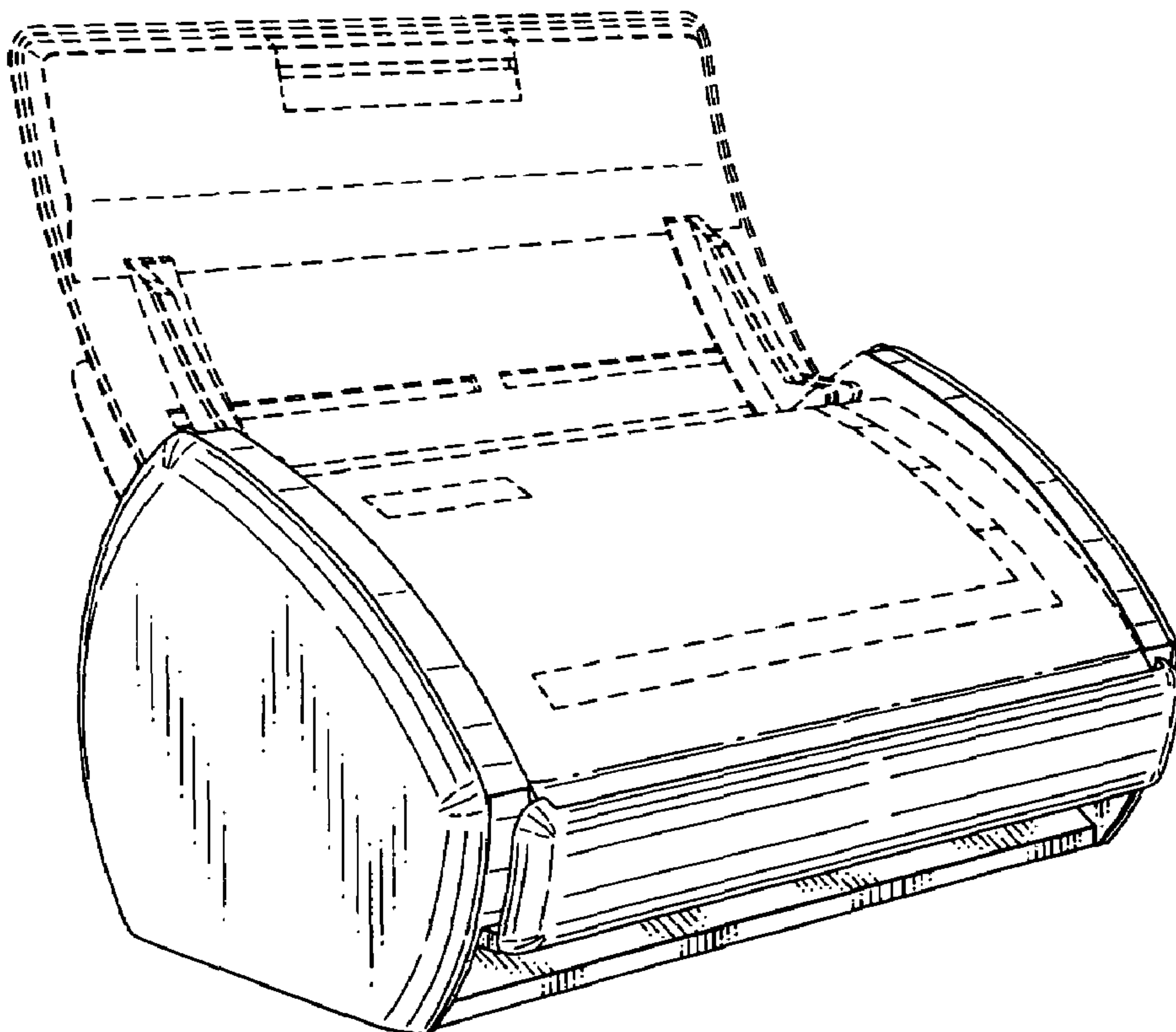


Fig.8

