



US00D610144S

(12) **United States Design Patent**  
**Claussen**

(10) **Patent No.:** **US D610,144 S**  
(45) **Date of Patent:** **\*\* Feb. 16, 2010**

(54) **VIDEO GAME CONTROLLER**

**DESCRIPTION**

- (75) Inventor: **Seth A. Claussen**, Winter Park, FL (US)
- (73) Assignee: **S.A.C. Consultancy**, Winter Park, FL (US)
- (\*\*) Term: **14 Years**
- (21) Appl. No.: **29/342,439**
- (22) Filed: **Aug. 25, 2009**

**Related U.S. Application Data**

- (62) Division of application No. 29/323,654, filed on Aug. 28, 2008, now Pat. No. Des. 601,149.
  - (51) **LOC (9) Cl.** ..... **14-02**
  - (52) **U.S. Cl.** ..... **D14/401; D21/333**
  - (58) **Field of Classification Search** ..... D14/217, D14/218, 356, 388, 399-401, 412-416, 432, D14/434, 454-457, 496; D21/324, 332, D21/333; 463/1, 30, 36-38, 46, 47; 345/156-161, 345/905
- See application file for complete search history.

(56) **References Cited**

**U.S. PATENT DOCUMENTS**

D424,047 S \* 5/2000 Chan ..... D14/401

(Continued)

**FOREIGN PATENT DOCUMENTS**

GB 2 244 546 A 12/1991

**OTHER PUBLICATIONS**

“66-MHz PowerPC 603 processor, a quat-speed CD-ROM drive, and two serial connectors” found at <http://www.byte.com/art/9603/img/036covf1.htm>, CMP Media, LLC © 2005 (2 pages).

*Primary Examiner*—Stella M Reid

*Assistant Examiner*—Keli L Hill

(74) *Attorney, Agent, or Firm*—Price, Heneveld, Cooper, DeWitt & Litton, LLP

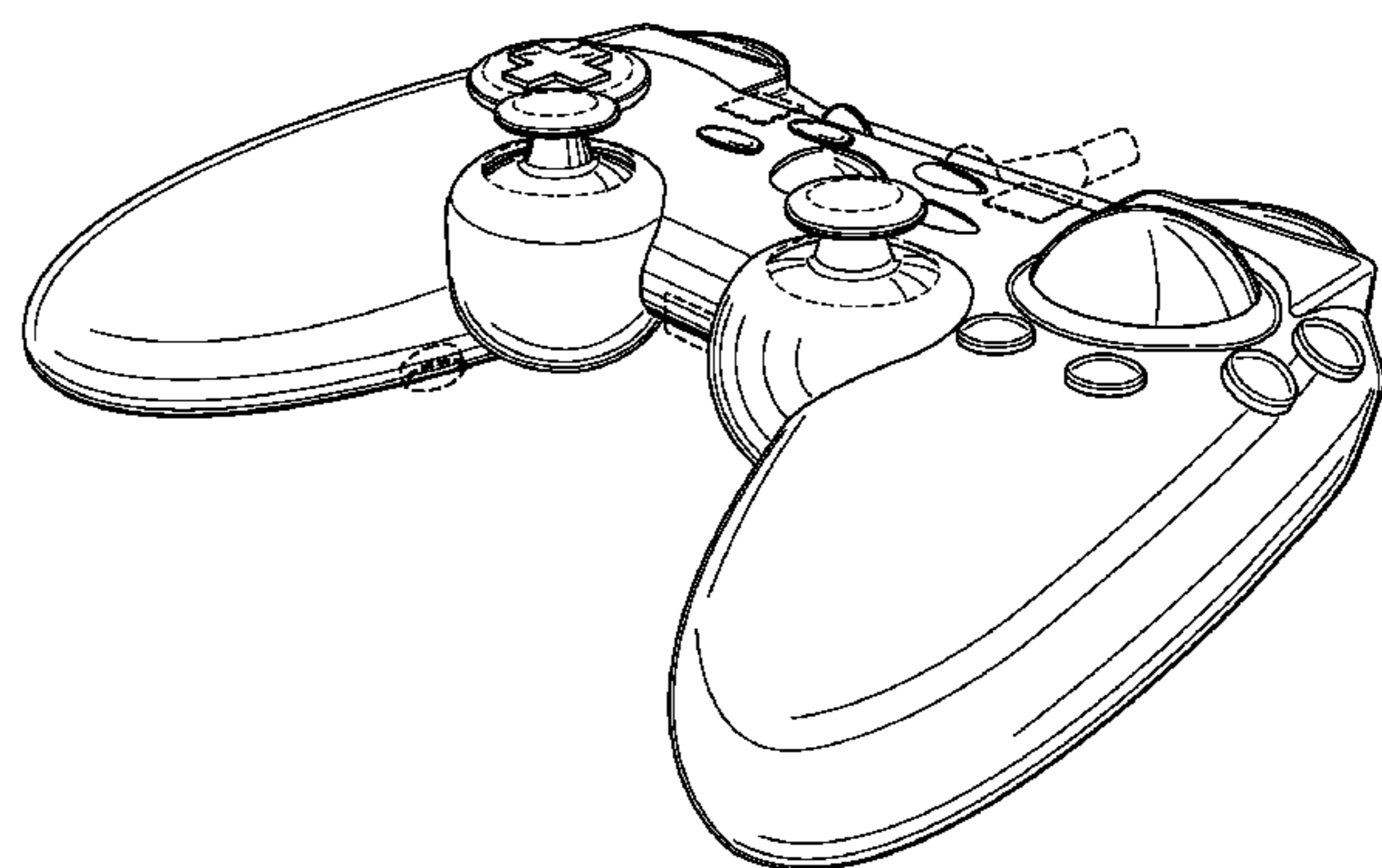
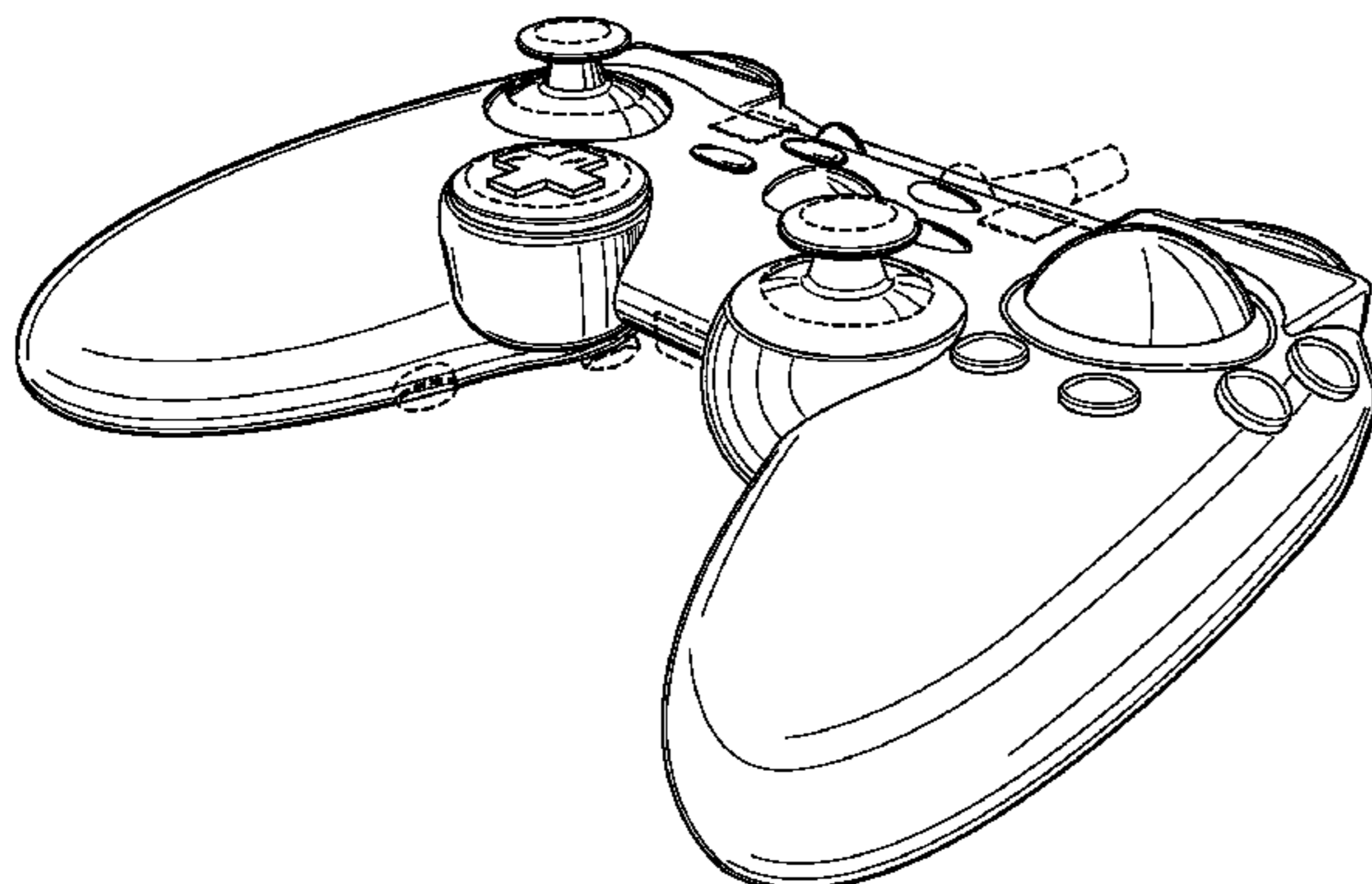
(57) **CLAIM**

I claim the ornamental design for a video game controller, as shown and described.

- FIG. 1 is a top and back perspective view of a video game controller, in accordance with a first embodiment of the present invention;
- FIG. 2 is a top plan view of a video game controller, in accordance with a first embodiment of the present invention;
- FIG. 3 is a bottom plan view of a video game controller, in accordance with a first embodiment of the present invention;
- FIG. 4 is a front plan view of a video game controller, in accordance with a first embodiment of the present invention;
- FIG. 5 is a back plan view of a video game controller, in accordance with a first embodiment of the present invention;
- FIG. 6 is a side plan view of a video game controller, in accordance with a first embodiment of the present invention;
- FIG. 7 is a side plan view of a video game controller, in accordance with a first embodiment of the present invention;
- FIG. 8 is a top and back perspective view of a video game controller, in accordance with a second embodiment of the present invention;
- FIG. 9 is a top plan view of a video game controller, in accordance with a second embodiment of the present invention;
- FIG. 10 is a bottom plan view of a video game controller, in accordance with a second embodiment of the present invention;
- FIG. 11 is a front plan view of a video game controller, in accordance with a second embodiment of the present invention;
- FIG. 12 is a back plan view of a video game controller, in accordance with a second embodiment of the present invention;
- FIG. 13 is a side plan view of a video game controller, in accordance with a second embodiment of the present invention; and,
- FIG. 14 is a side plan view of a video game controller, in accordance with a second embodiment of the present invention.

The broken lines represent the portions of the design that form no part of the claim.

**1 Claim, 6 Drawing Sheets**



# US D610,144 S

Page 2

## U.S. PATENT DOCUMENTS

D434,769 S \* 12/2000 Goto ..... D14/413  
6,184,869 B1 2/2001 Harding et al.  
D443,617 S \* 6/2001 Goto ..... D14/413  
D443,877 S \* 6/2001 Goto ..... D14/413  
6,394,904 B1 5/2002 Stalker  
D465,221 S \* 11/2002 Hussaini et al. .... D14/401  
D469,436 S \* 1/2003 Hussaini et al. .... D14/401  
D469,766 S \* 2/2003 Hussaini et al. .... D14/401  
D469,767 S \* 2/2003 Hussaini et al. .... D14/401  
D491,183 S \* 6/2004 Swan et al. .... D14/401  
D522,011 S \* 5/2006 Hayes et al. .... D14/454  
D547,763 S \* 7/2007 Hayes et al. .... D14/454  
D562,323 S \* 2/2008 Kutaragi et al. .... D14/401  
D571,368 S \* 6/2008 Salter ..... D14/401  
D572,254 S \* 7/2008 Goto ..... D14/401  
D578,167 S \* 10/2008 Harris ..... D21/333  
D581,422 S \* 11/2008 Hayes et al. .... D14/454

2004/0041787 A1 3/2004 Graves  
2005/0215321 A1 9/2005 Hussaini et al.  
2006/0084504 A1 4/2006 Chan et al.

## OTHER PUBLICATIONS

“Bandai Pippin Hardware and Software Information” found at <http://macgeek.org/museum/pippin/information.html>, Pearl City Networks, © 1997-2006 (2 pages).

“Bandai Pippin Image Archive” found at <http://macgeek.org/museum/pippin/photoalbum.html>, Pearl City Networks, © 1997-2006, (3 pages).

“Trackball Controllers for Xbox and PlayStation” found at <http://web.archive.org/web/20040924055123/trackball.modwest.com>, (2 pages).

“Gravis PC GamePad” found at [http://en.wikipedia.org/wiki/Gravis\\_PC\\_GamePad](http://en.wikipedia.org/wiki/Gravis_PC_GamePad), Wikimedia Foundation, Inc., Mar. 2004,(1 page).

\* cited by examiner

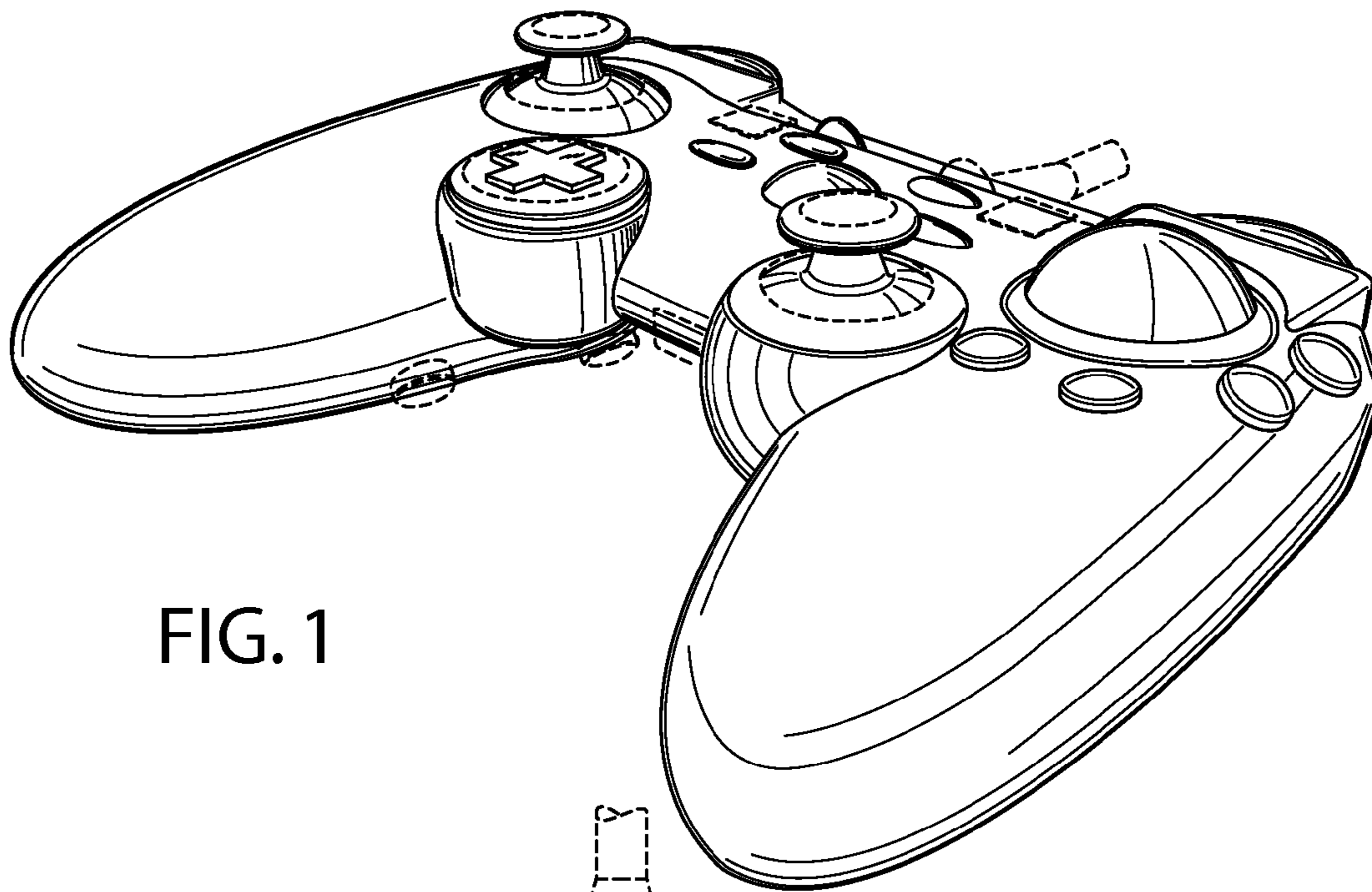


FIG. 1

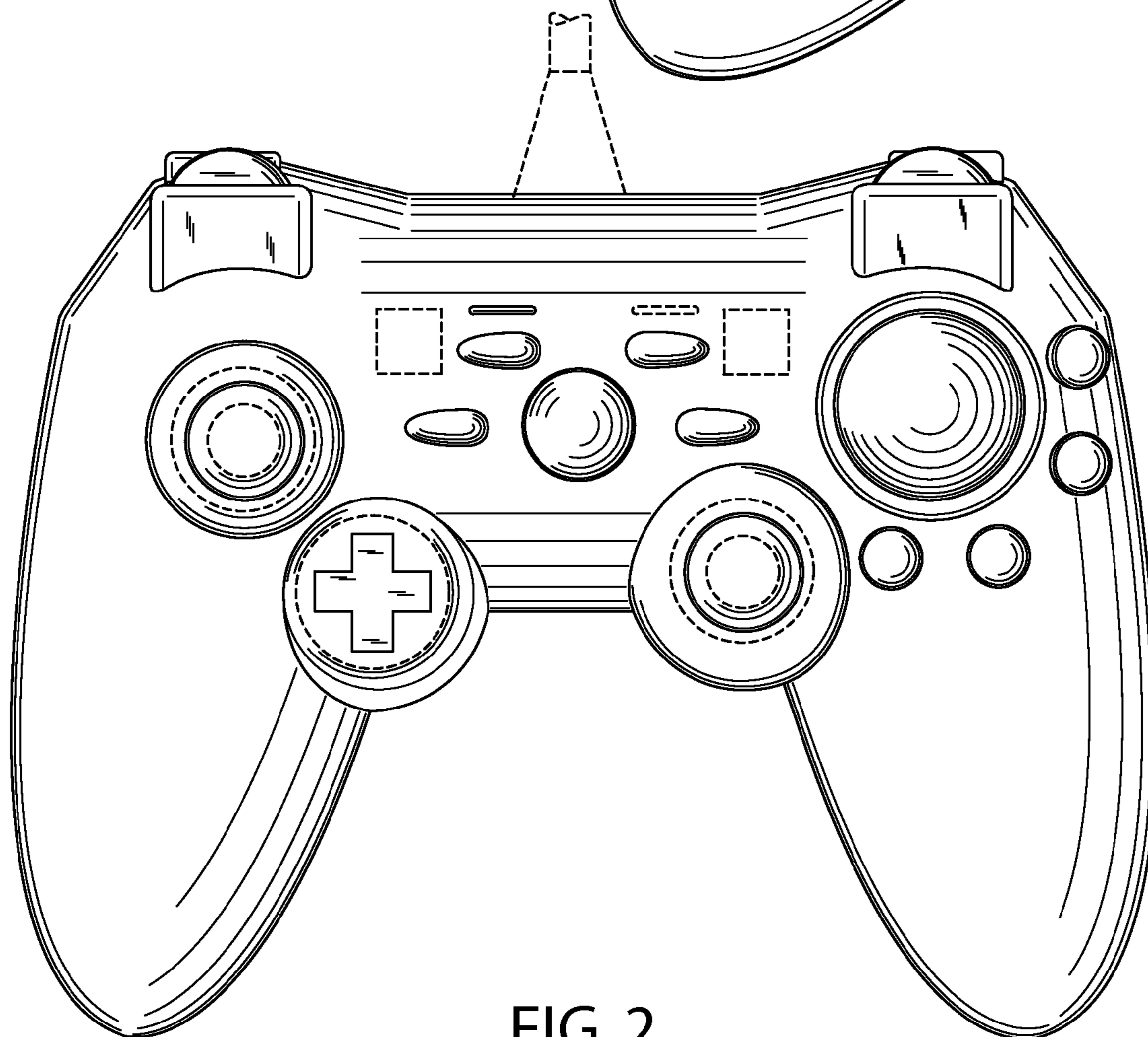


FIG. 2

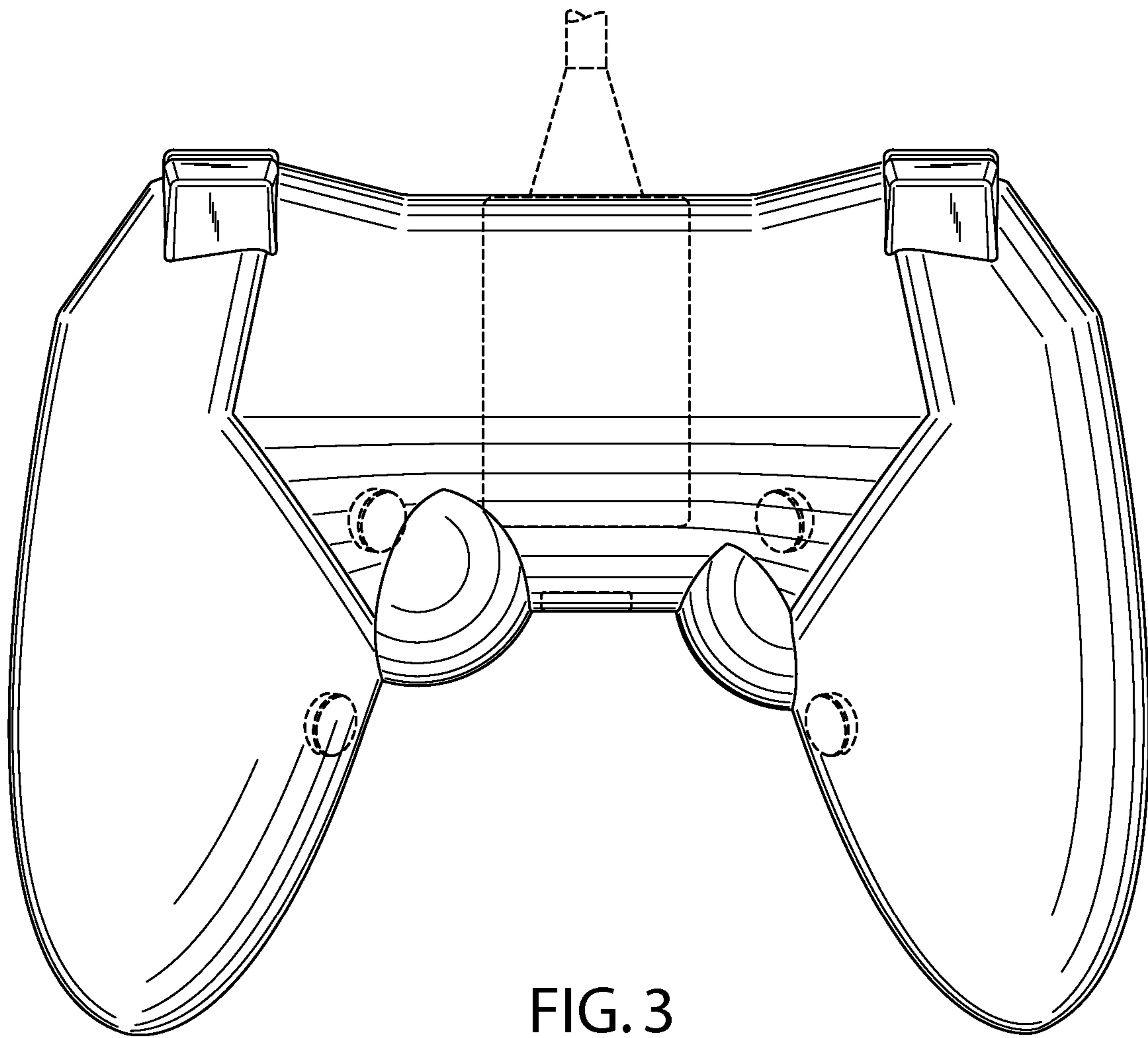


FIG. 3

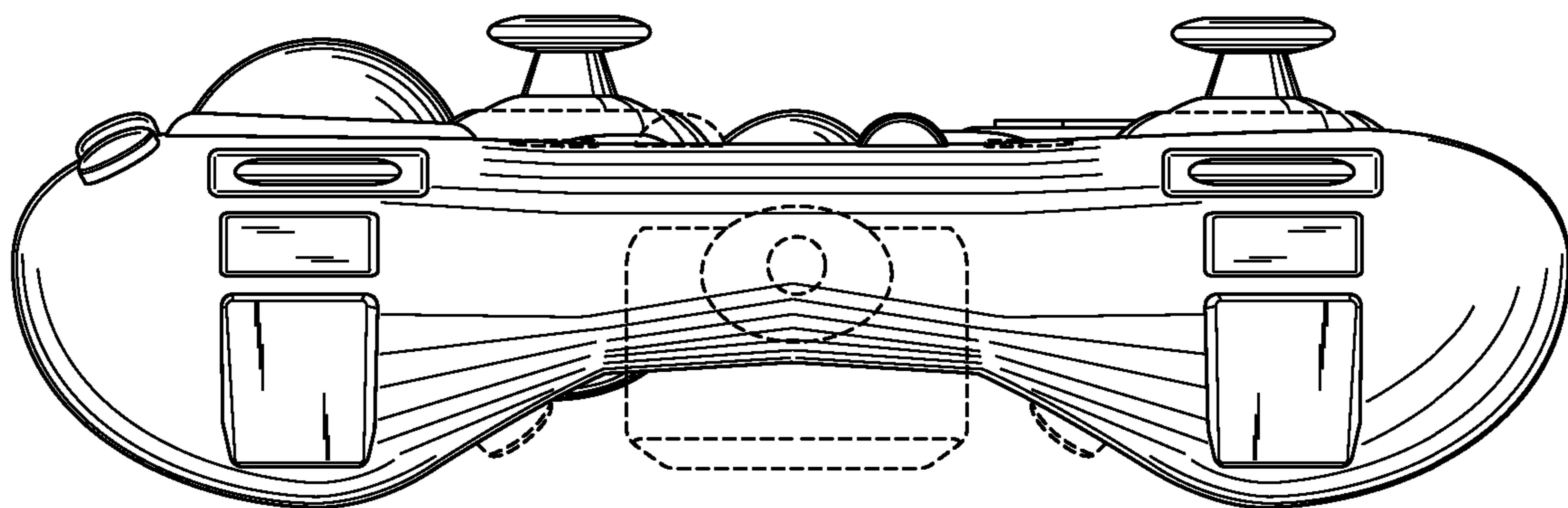


FIG. 4

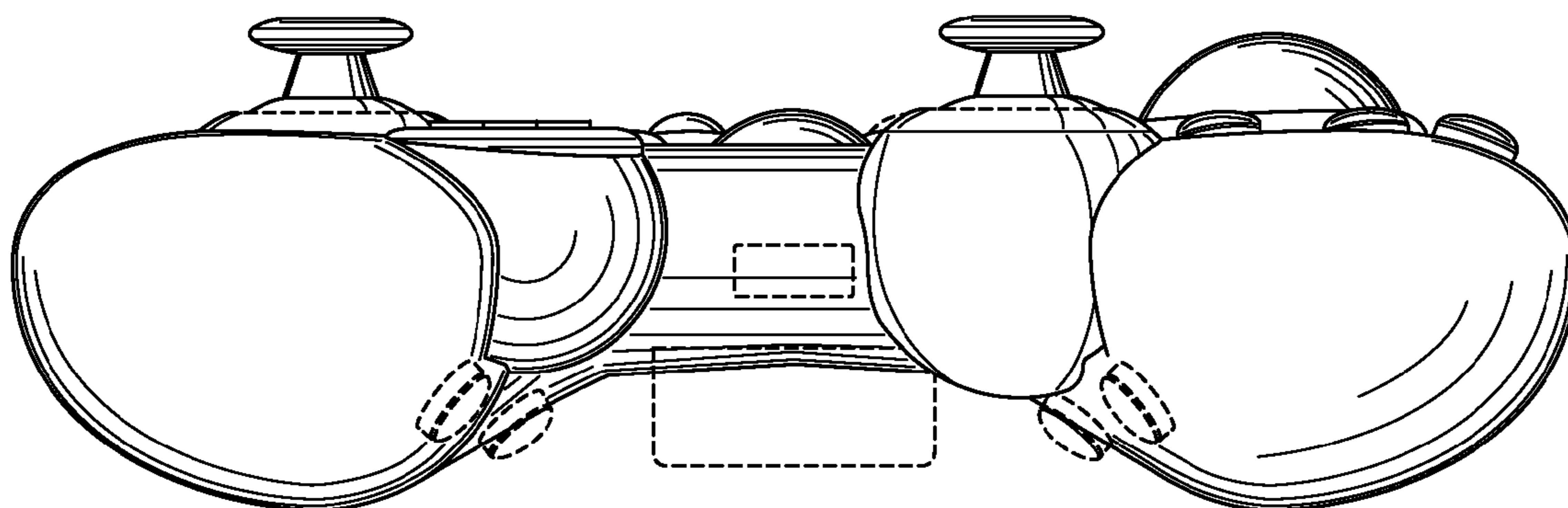


FIG. 5

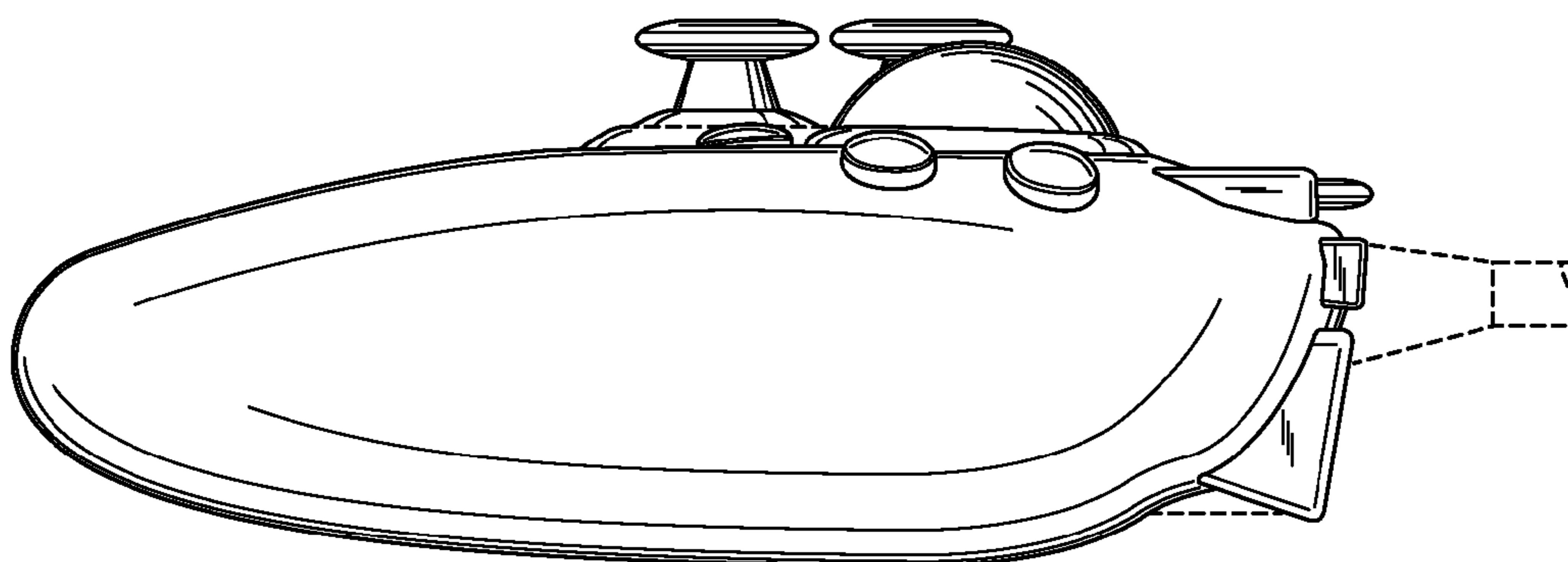


FIG. 6

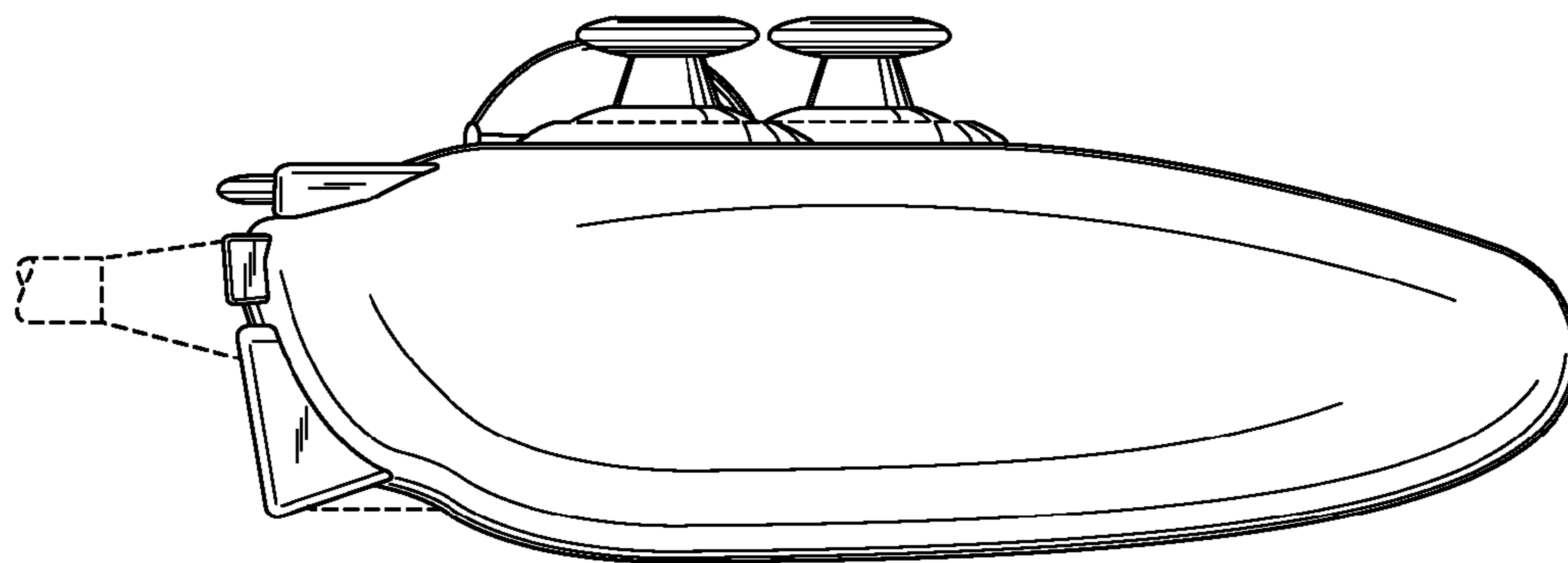


FIG. 7

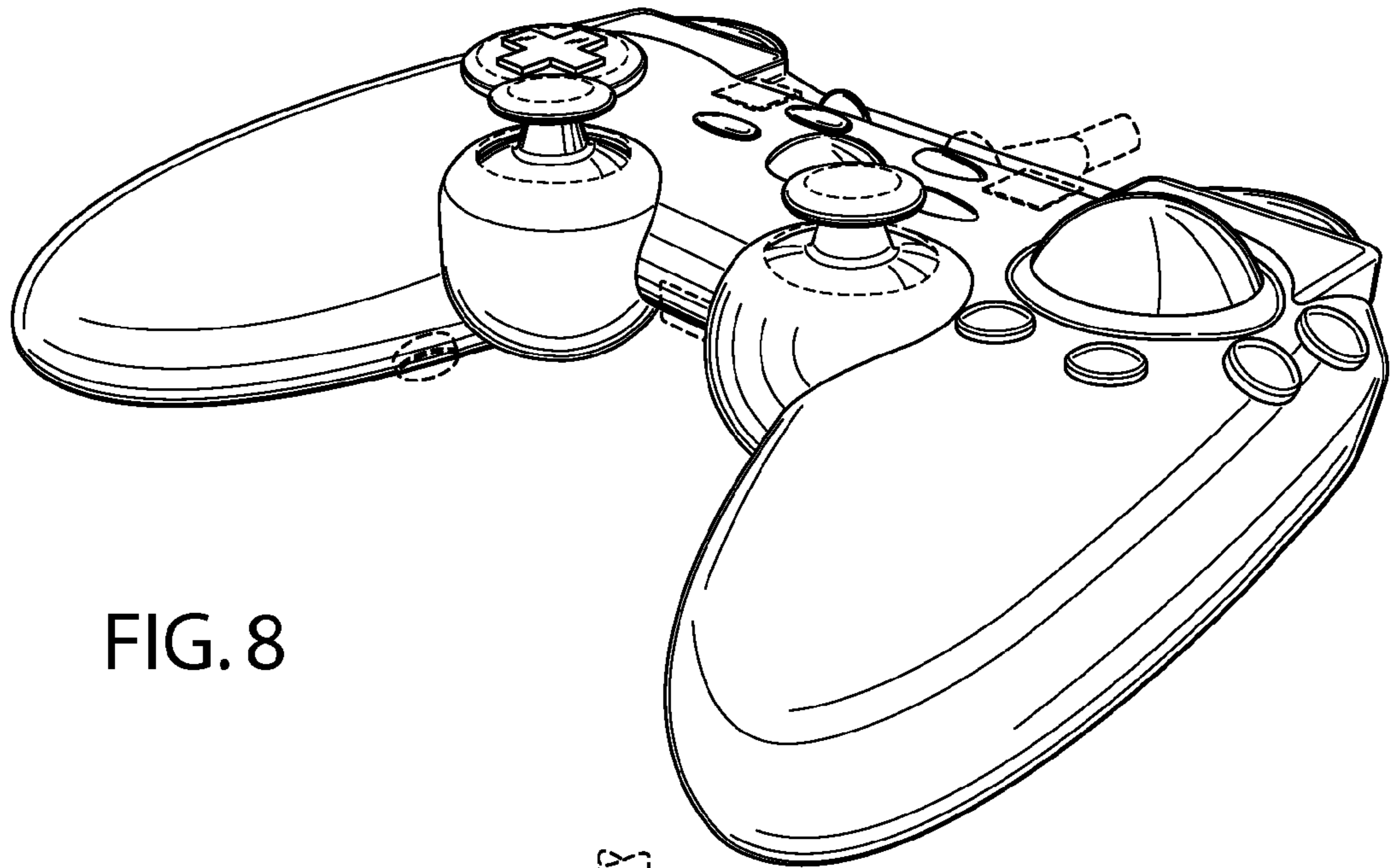


FIG. 8

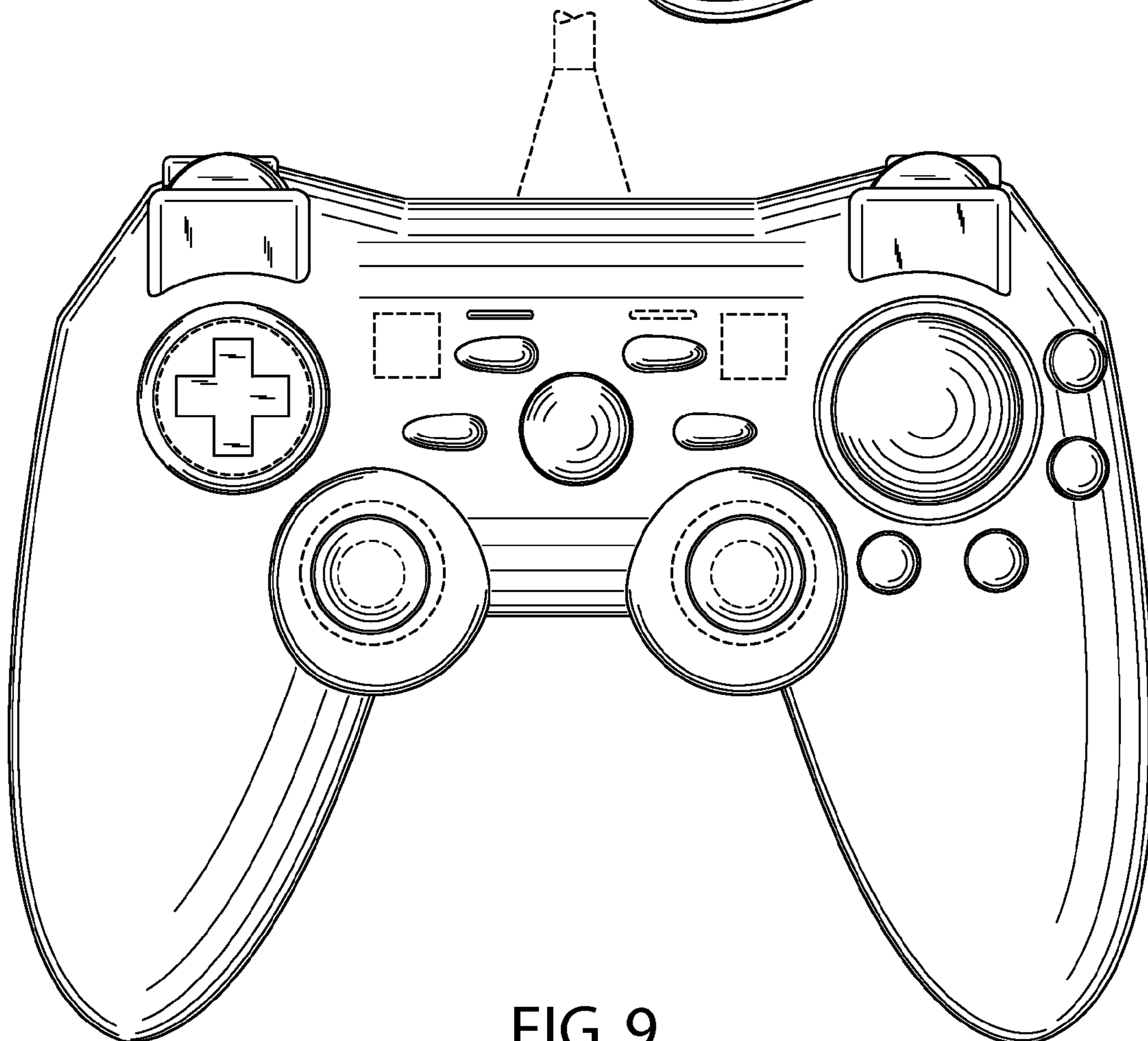


FIG. 9

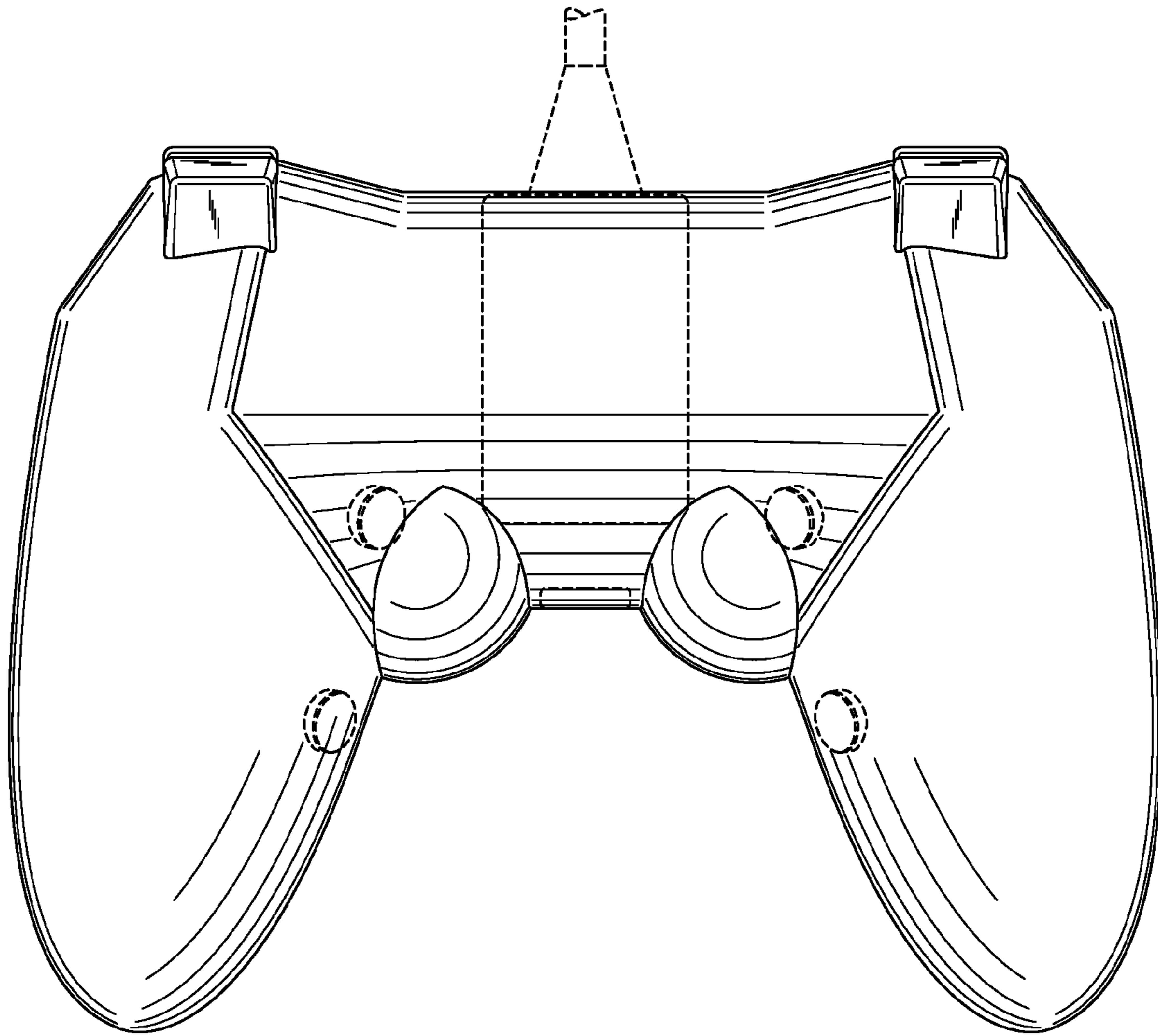


FIG. 10

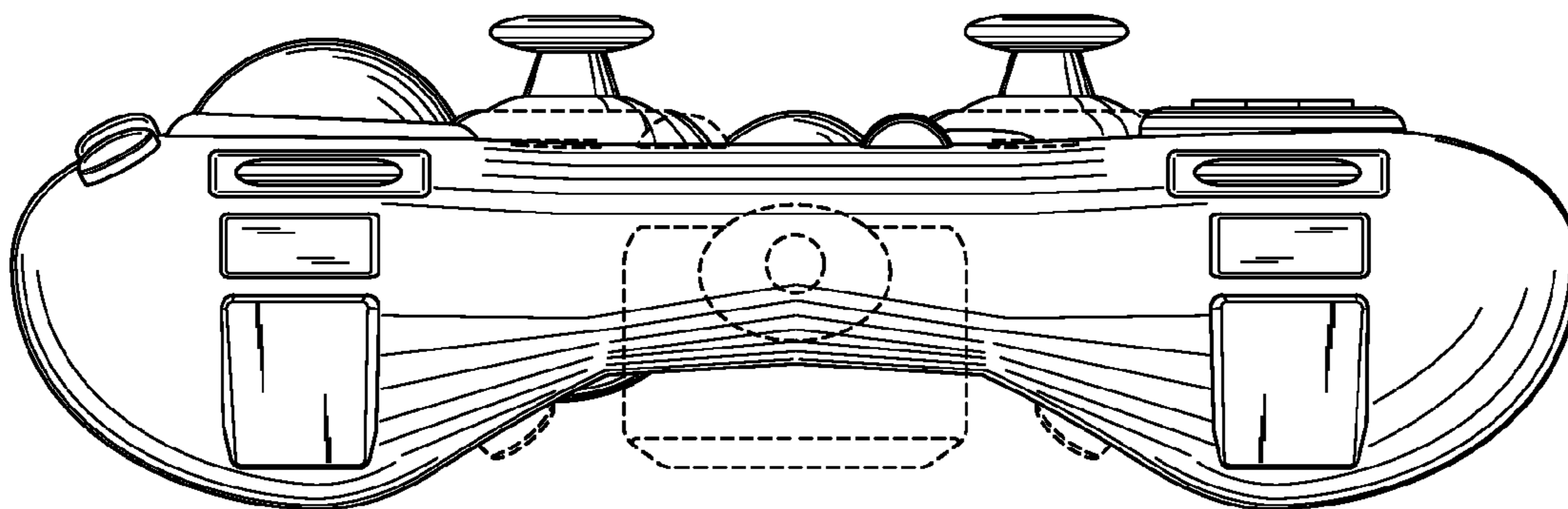


FIG. 11

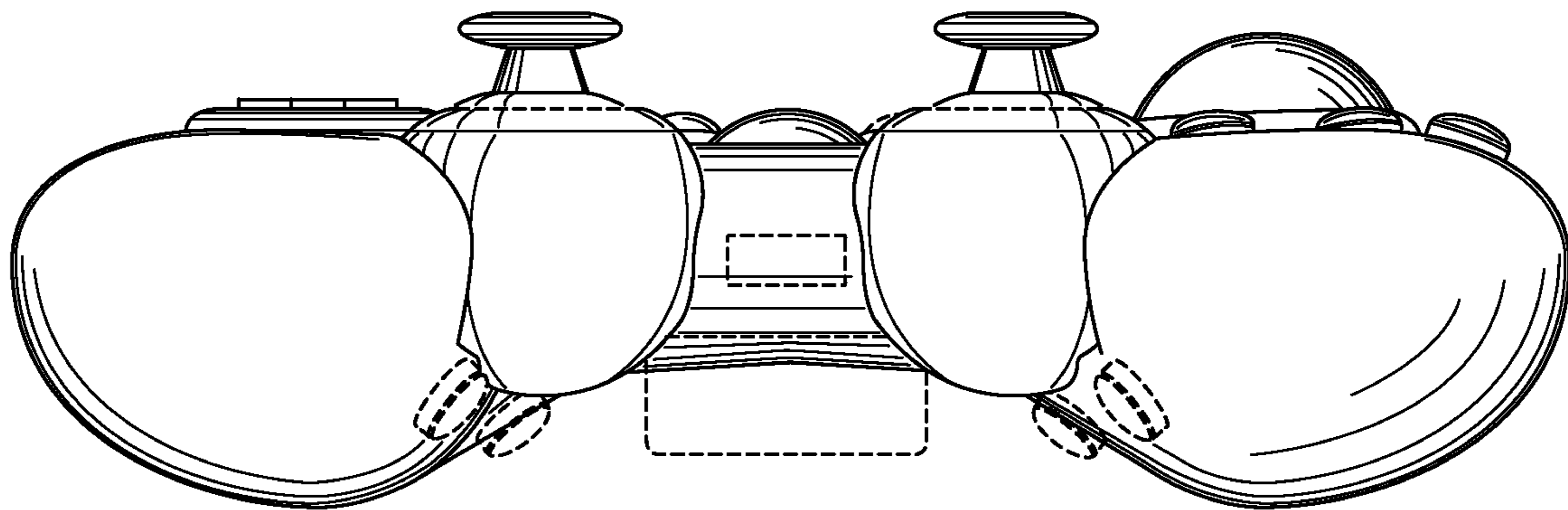


FIG. 12

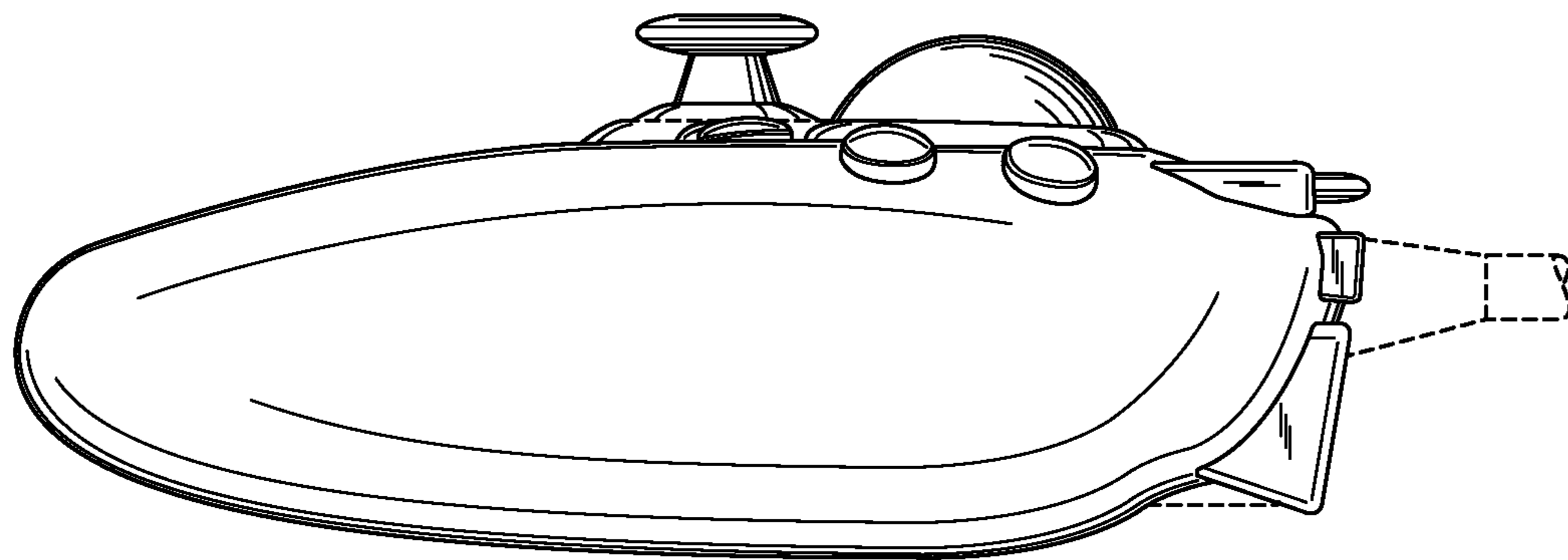


FIG. 13

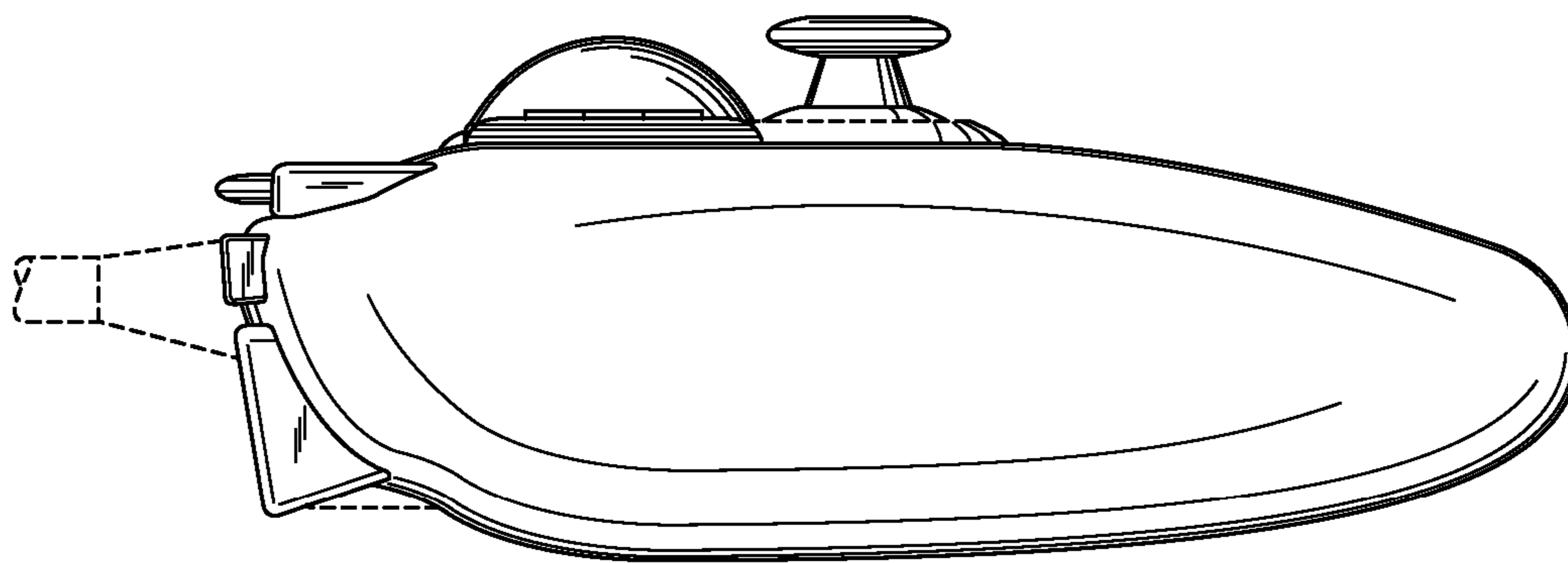


FIG. 14