



US00D610143S

(12) **United States Design Patent**  
**Park et al.**

(10) **Patent No.:** **US D610,143 S**  
(45) **Date of Patent:** **\*\* Feb. 16, 2010**

(54) **LCD MONITOR**

(75) Inventors: **Sang-II Park**, Kyunggi-do (KR);  
**Eui-Seok Kim**, Kyunggi-do (KR)

(73) Assignee: **Samsung Electronics Co., Ltd.**,  
Kyunggi-do (KR)

(\*\*) Term: **14 Years**

(21) Appl. No.: **29/314,209**

(22) Filed: **Mar. 13, 2009**

(51) **LOC (9) Cl.** ..... **14-02**

(52) **U.S. Cl.** ..... **D14/374**

(58) **Field of Classification Search** ..... D14/371-376,  
D14/125-129, 336, 341, 132; 248/917-924,  
248/121, 278.1; 341/12; 345/104, 156, 173,  
345/174, 901-905; 348/180, 184, 325, 739,  
348/837; 361/680-686; D18/12.3; 349/1,  
349/2, 11, 58

See application file for complete search history.

(56) **References Cited**

**U.S. PATENT DOCUMENTS**

D416,875 S *	11/1999	Chuo et al.	.....	D14/375
6,229,584 B1 *	5/2001	Chuo et al.	.....	349/58
6,381,125 B1 *	4/2002	Mizoguchi et al.	.....	361/679.08
D471,549 S *	3/2003	Tsuji	.....	D14/375
D494,941 S	8/2004	Kim		
6,807,051 B2 *	10/2004	Takahashi	.....	361/679.23
D499,386 S	12/2004	Yang		
D512,424 S	12/2005	Kim		
D521,511 S	5/2006	Kim et al.		
D521,996 S	5/2006	Kim et al.		
D521,997 S	5/2006	Park et al.		
D522,509 S	6/2006	Park et al.		
D524,313 S	7/2006	Boo et al.		
D527,003 S	8/2006	Kim et al.		
D528,115 S	9/2006	Yoon		
D528,116 S	9/2006	Won et al.		
D529,910 S	10/2006	Ota		
D532,764 S	11/2006	Kim et al.		
D533,848 S	12/2006	Lee et al.		

D534,510 S	1/2007	Kang et al.
D534,883 S	1/2007	Kang et al.
D535,267 S	1/2007	Kang et al.
D536,677 S	2/2007	Kim et al.
D537,079 S	2/2007	Park
D539,242 S	3/2007	Lee et al.
D539,281 S	3/2007	Kim et al.
D539,767 S	4/2007	Kang et al.
D540,277 S	4/2007	Kim et al.
D541,236 S	4/2007	Kim et al.
D541,763 S	5/2007	Kim
D542,746 S	5/2007	Kim
D542,747 S	5/2007	Kim et al.
D543,163 S	5/2007	Yang et al.

(Continued)

**OTHER PUBLICATIONS**

U.S. Appl. No. 29/269,013, Applicant: Jun-Ho Yang, et al., filed Nov. 17, 2006 entitled LCD Television Set.

(Continued)

*Primary Examiner*—Freda S Nunn

(74) *Attorney, Agent, or Firm*—Flynn, Thiel, Boutell & Tanis, P.C.

(57) **CLAIM**

The ornamental design for an LCD monitor, as shown and described.

**DESCRIPTION**

FIG. 1 is a top front perspective view of an LCD monitor showing our new design;

FIG. 2 is a front elevational view thereof;

FIG. 3 is a rear elevational view thereof;

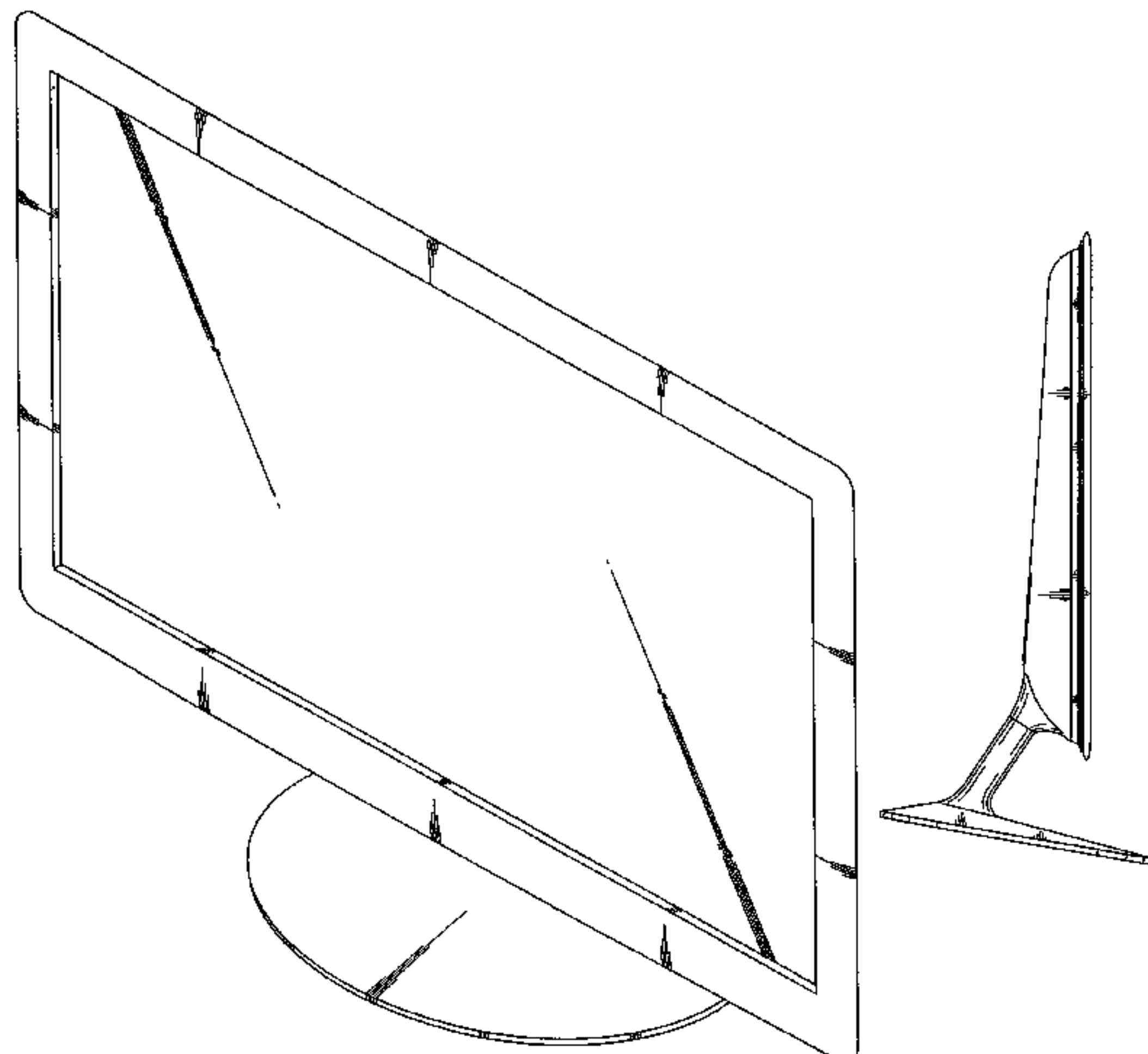
FIG. 4 is a left side elevational view thereof;

FIG. 5 is a right side elevational view thereof;

FIG. 6 is a top plan view thereof; and,

FIG. 7 is a bottom plan view thereof.

**1 Claim, 5 Drawing Sheets**



U.S. PATENT DOCUMENTS

D543,164 S 5/2007 Yang et al.  
 D544,849 S 6/2007 Yang et al.  
 D545,312 S 6/2007 Kim  
 D545,313 S 6/2007 Kim  
 D545,314 S 6/2007 Kim  
 D545,315 S 6/2007 Kim  
 D545,316 S 6/2007 Kim  
 D545,776 S 7/2007 Kwon  
 D545,820 S 7/2007 Won et al.  
 D546,331 S 7/2007 Kim  
 D547,276 S 7/2007 Yang et al.  
 D547,313 S 7/2007 Kim  
 D548,205 S 8/2007 Kim et al.  
 D548,206 S 8/2007 Han  
 D548,708 S 8/2007 Park et al.  
 D551,186 S 9/2007 Yang et al.  
 D551,194 S 9/2007 Kim et al.  
 D551,636 S 9/2007 Kang et al.  
 D553,108 S 10/2007 Won et al.  
 D554,601 S 11/2007 Won et al.  
 D556,159 S 11/2007 Park et al.  
 D556,160 S 11/2007 Lee et al.  
 D556,709 S 12/2007 Kim et al.  
 D556,755 S 12/2007 Lee et al.  
 D556,756 S 12/2007 Kataoka et al.  
 D556,757 S 12/2007 Kim et al.  
 D558,201 S 12/2007 Park et al.  
 D558,696 S 1/2008 Park et al.  
 D561,130 S 2/2008 Won et al.  
 D561,134 S 2/2008 Kim et al.  
 D561,135 S 2/2008 Won et al.  
 D561,136 S 2/2008 Won et al.  
 D564,472 S 3/2008 Won et al.  
 D565,521 S 4/2008 Yang et al.  
 D567,198 S 4/2008 Yang et al.  
 D567,199 S 4/2008 Kim et al.  
 D569,818 S 5/2008 Kim et al.

D570,841 S 6/2008 Kim et al.  
 D572,680 S 7/2008 Lee et al.  
 D572,682 S 7/2008 Won et al.  
 D573,118 S 7/2008 Yang et al.  
 D573,559 S 7/2008 Kim et al.  
 D576,622 S 9/2008 Park  
 D582,365 S 12/2008 Yang et al.  
 D582,366 S 12/2008 Yang et al.  
 D582,867 S 12/2008 Song et al.  
 D584,258 S 1/2009 Yang et al.  
 D584,309 S 1/2009 Kim et al.  
 D584,310 S 1/2009 Kim et al.  
 D584,729 S 1/2009 Kim et al.  
 D586,811 S 2/2009 Kim et al.  
 D587,712 S 3/2009 Park et al.  
 2002/0020792 A1\* 2/2002 Lee ..... 248/278.1  
 2005/0041379 A1\* 2/2005 Jang ..... 361/681  
 2006/0076463 A1\* 4/2006 Drew ..... 248/121

OTHER PUBLICATIONS

U.S. Appl. No. 29/286,893, Applicant: Seung-Ho Lee, et al., filed May 22, 2007 entitled LCD Television Set.  
 U.S. Appl. No. 29/308,894, Applicant: Eui-Seok Kim, et al., filed Jul. 14, 2008 entitled LCD Monitor.  
 U.S. Appl. No. 29/308,635, Applicant: Ki-Soo Kim, et al., filed Jun. 27, 2008 entitled LCD Monitor.  
 U.S. Appl. No. 29/308,634, Applicant: Kyu-Mi Han, et al., filed Jun. 27, 2008 entitled Television Set.  
 U.S. Appl. No. 29/310,075, Applicant: Kyu-Mi Han, filed Jul. 24, 2008 entitled LCD Monitor.  
 U.S. Appl. No. 29/313,600, Applicant: Dong-Hee Won, et al., filed Jan. 26, 2009 entitled LCD Television Set.  
 U.S. Appl. No. 29/313,603, Applicant: Chul-Yong Cho, et al., filed Jan. 26, 2009 entitled LCD Television Set.  
 U.S. Appl. No. 29/313,599, Applicant: Dong-Hee Won, et al., filed Mar. 2, 2009 entitled LCD Television Set.

\* cited by examiner

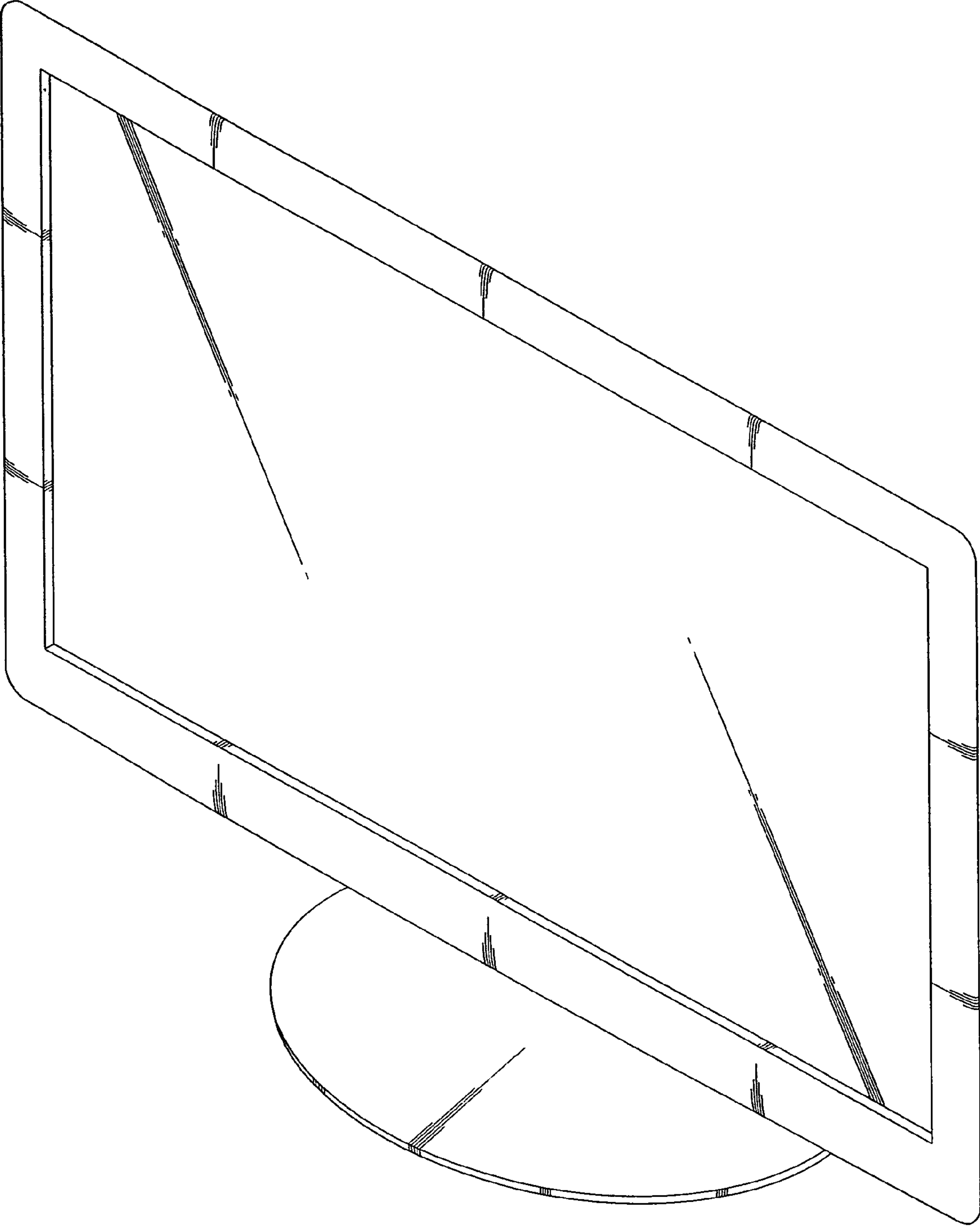


FIG. 1

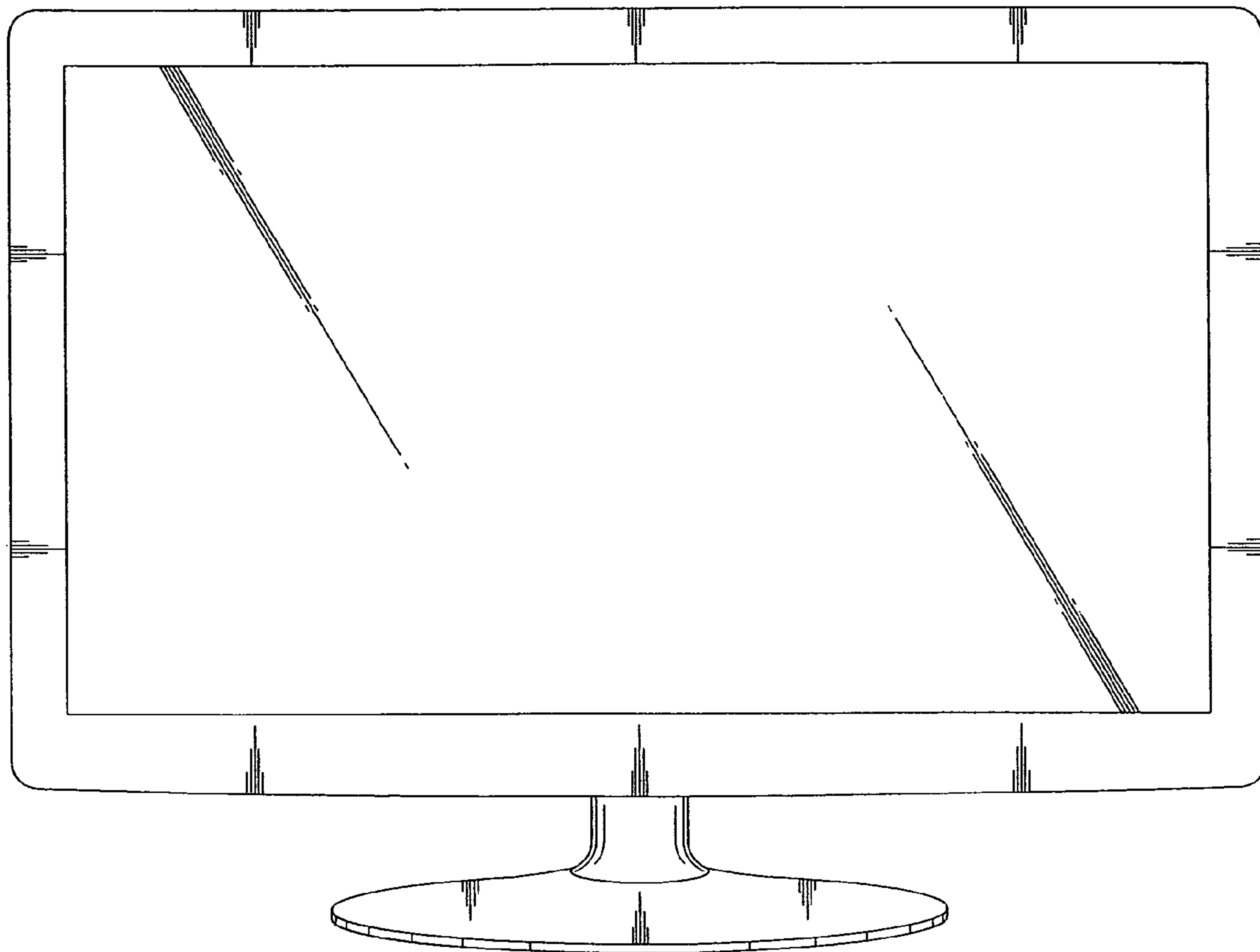


FIG. 2

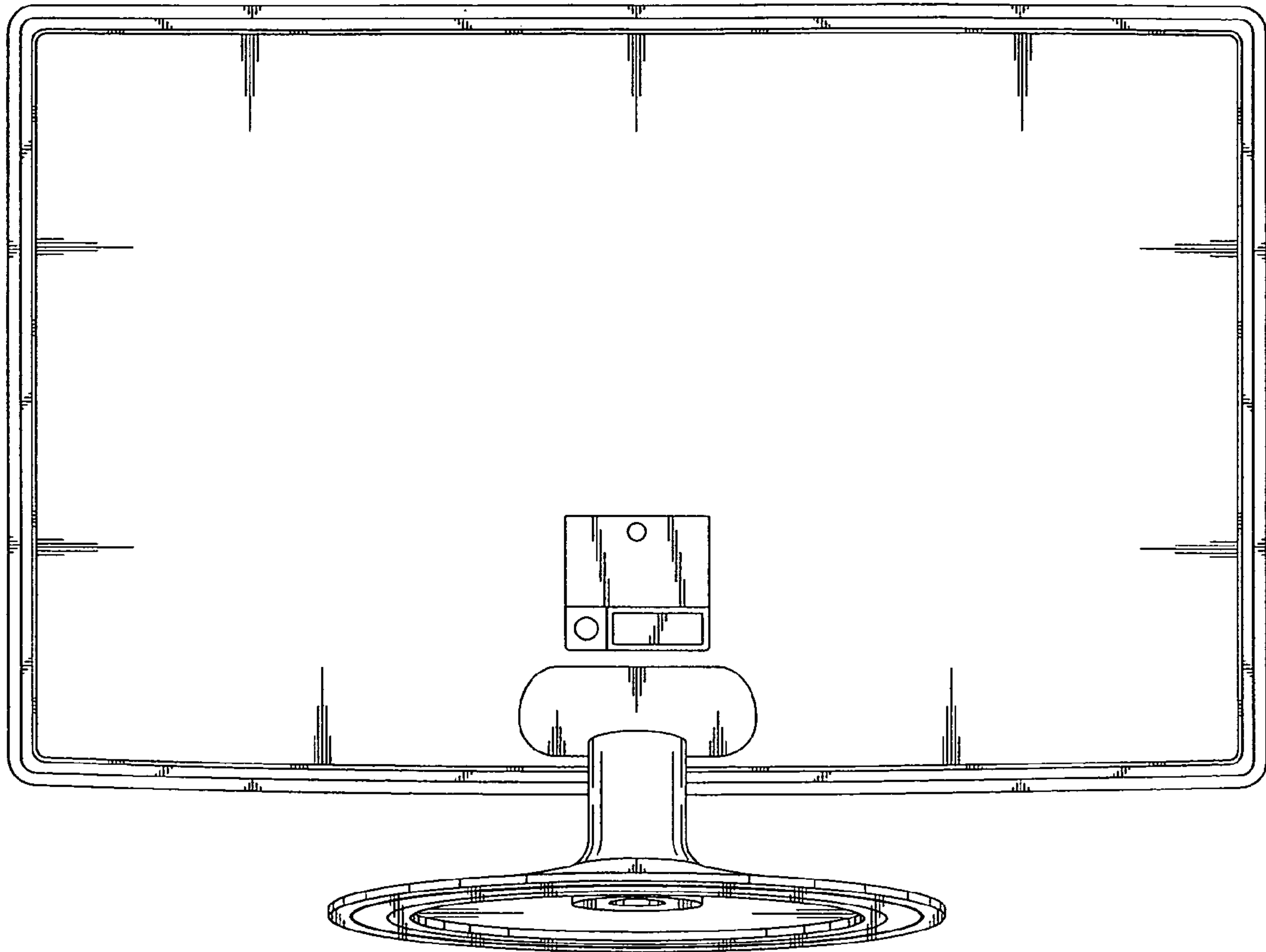


FIG. 3



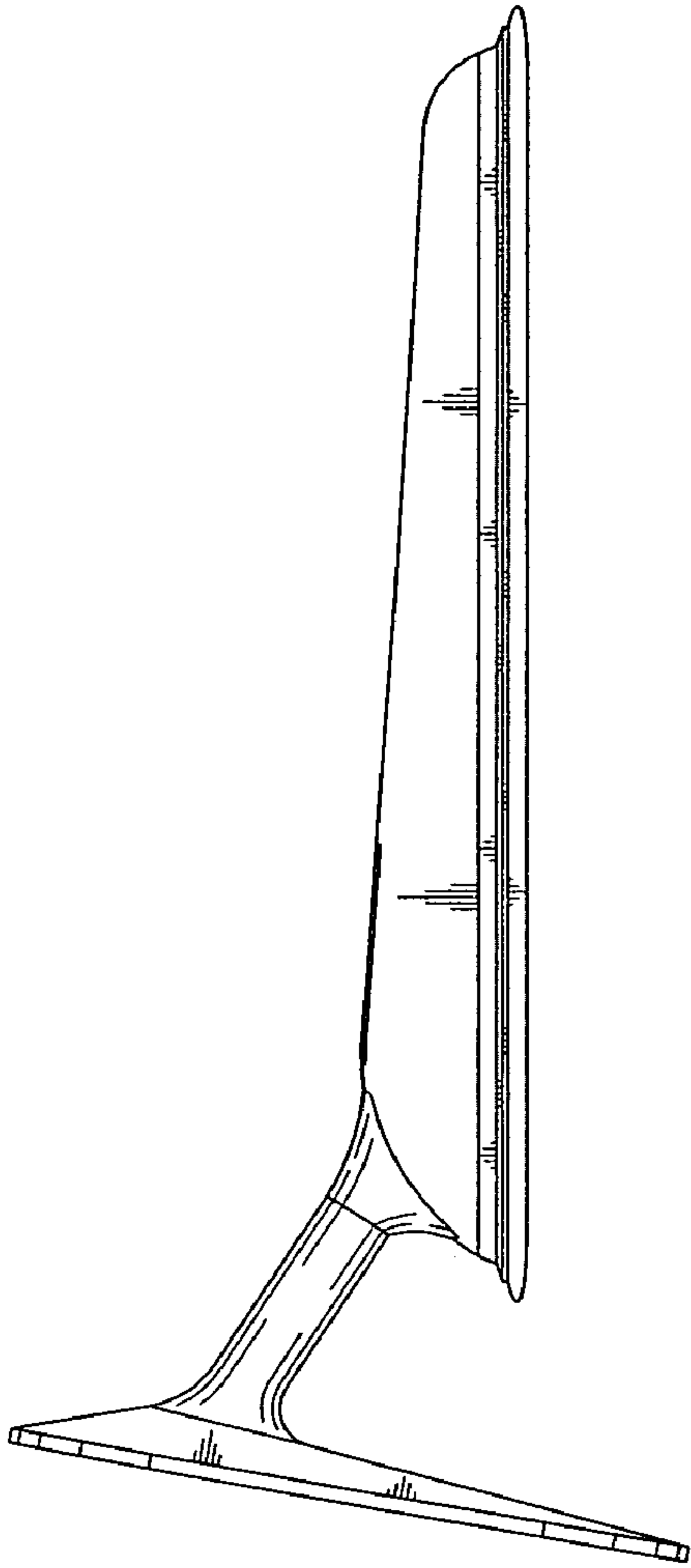


FIG. 4

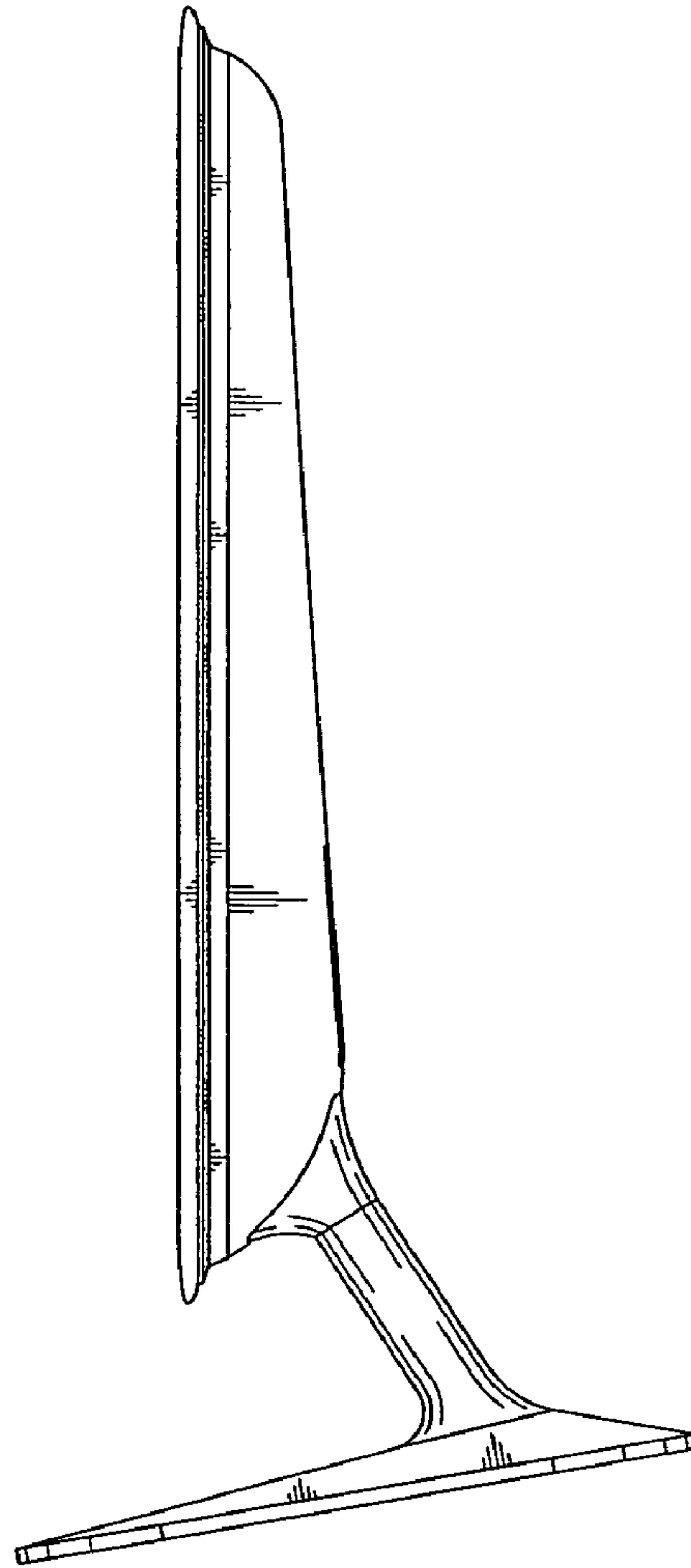


FIG. 5

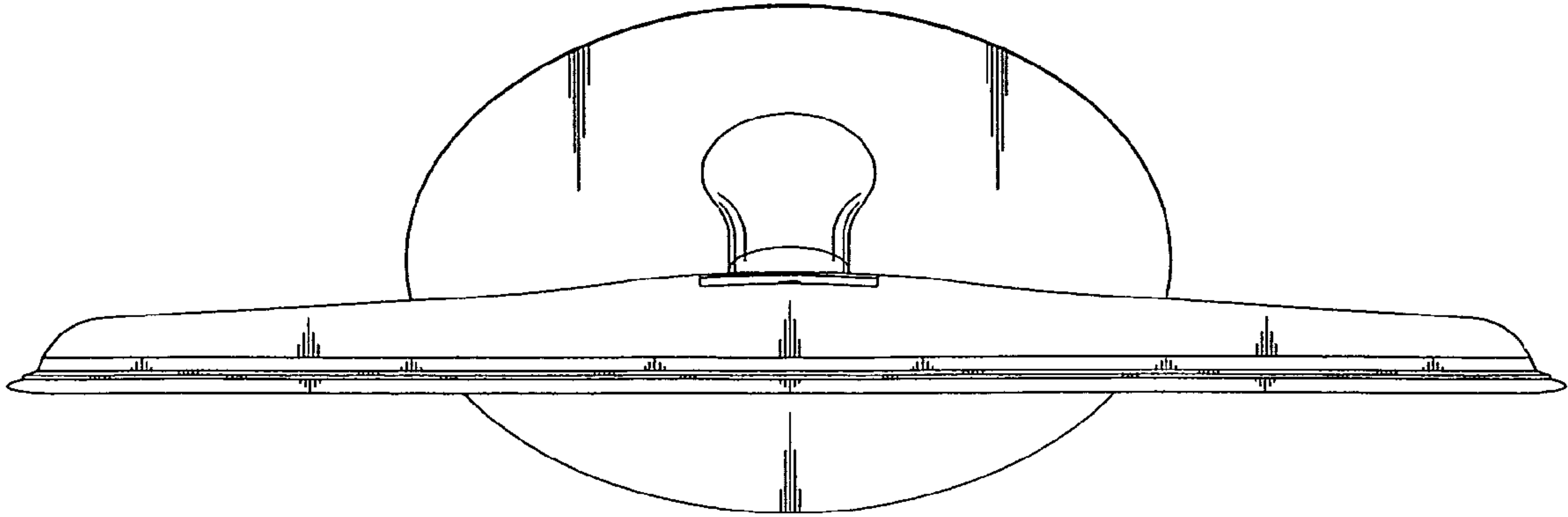


FIG. 6

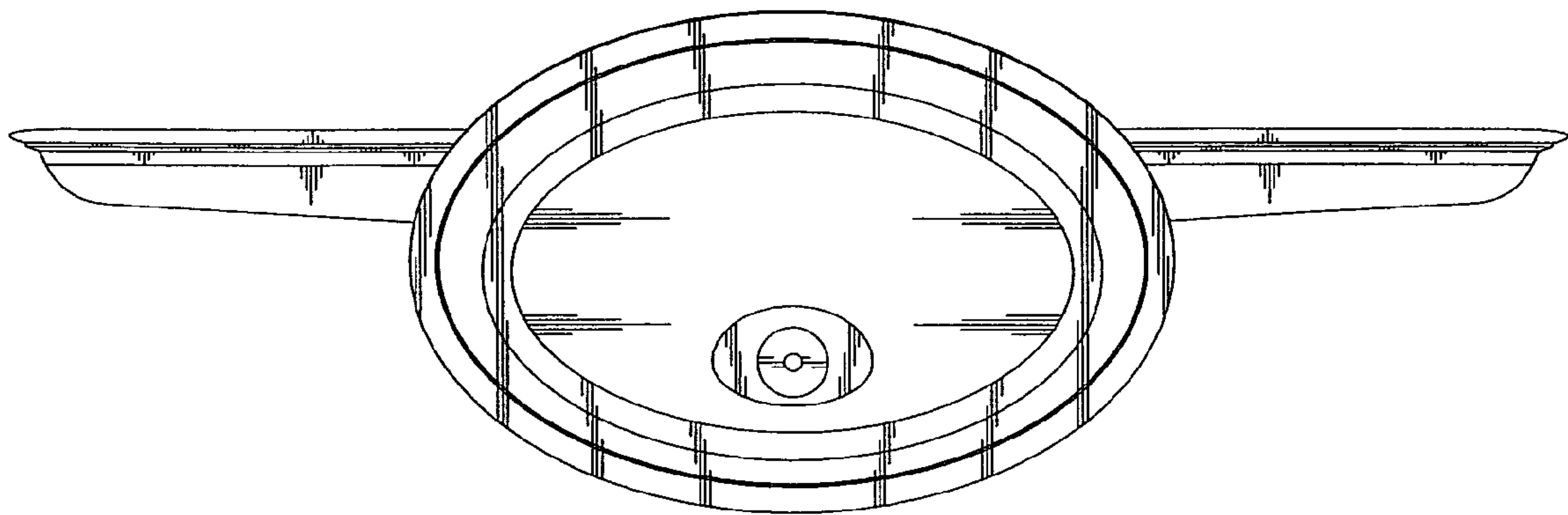


FIG. 7