



US00D610140S

(12) **United States Design Patent**
Huang

(10) **Patent No.:** **US D610,140 S**

(45) **Date of Patent:** **** Feb. 16, 2010**

(54) **PORTABLE ELECTRONIC DEVICE**

(75) Inventor: **Ching-Hua Huang**, Tu-Cheng (TW)

(73) Assignee: **Chi Mei Communication Systems, Inc.**, Tu-Cheng, Taipei County (TW)

(**) Term: **14 Years**

(21) Appl. No.: **29/326,330**

(22) Filed: **Oct. 16, 2008**

(30) **Foreign Application Priority Data**

Apr. 22, 2008 (CN) 2008 3 0300558

(51) **LOC (9) Cl.** **14-02**

(52) **U.S. Cl.** **D14/345**

(58) **Field of Classification Search** D14/341-347,
D14/138, 454-456, 391, 218, 327, 338, 387,
D14/390, 399, 426, 429, 432, 439, 137, 247,
D14/496, 125, 126, 129, 318, 326, 248; D18/7;
D13/168; D21/517, 329, 330, 331; D10/65,
D10/104; D19/26; 455/556.1, 556.2, 566,
455/575.1; 361/680; 345/169; 379/433.04,
379/433.06, 433.07, 433.11, 433.12, 433.13;
348/14.02

See application file for complete search history.

(56) **References Cited**

U.S. PATENT DOCUMENTS

D319,223 S * 8/1991 Pierce et al. D14/345

D544,858 S * 6/2007 Lyles D14/247
D547,295 S * 7/2007 Park D14/138 AB
D569,862 S * 5/2008 Mitchell et al. D14/248

FOREIGN PATENT DOCUMENTS

JP D1249166 7/2005

* cited by examiner

Primary Examiner—Cathron C Brooks

Assistant Examiner—Barbara Fox

(74) *Attorney, Agent, or Firm*—Steven M. Reiss

(57) **CLAIM**

The ornamental design for a portable electronic device, as shown and described.

DESCRIPTION

FIG. 1 is a perspective view of a portable electronic device showing our new design;

FIG. 2 is a front elevational view thereof;

FIG. 3 is a rear elevational view thereof;

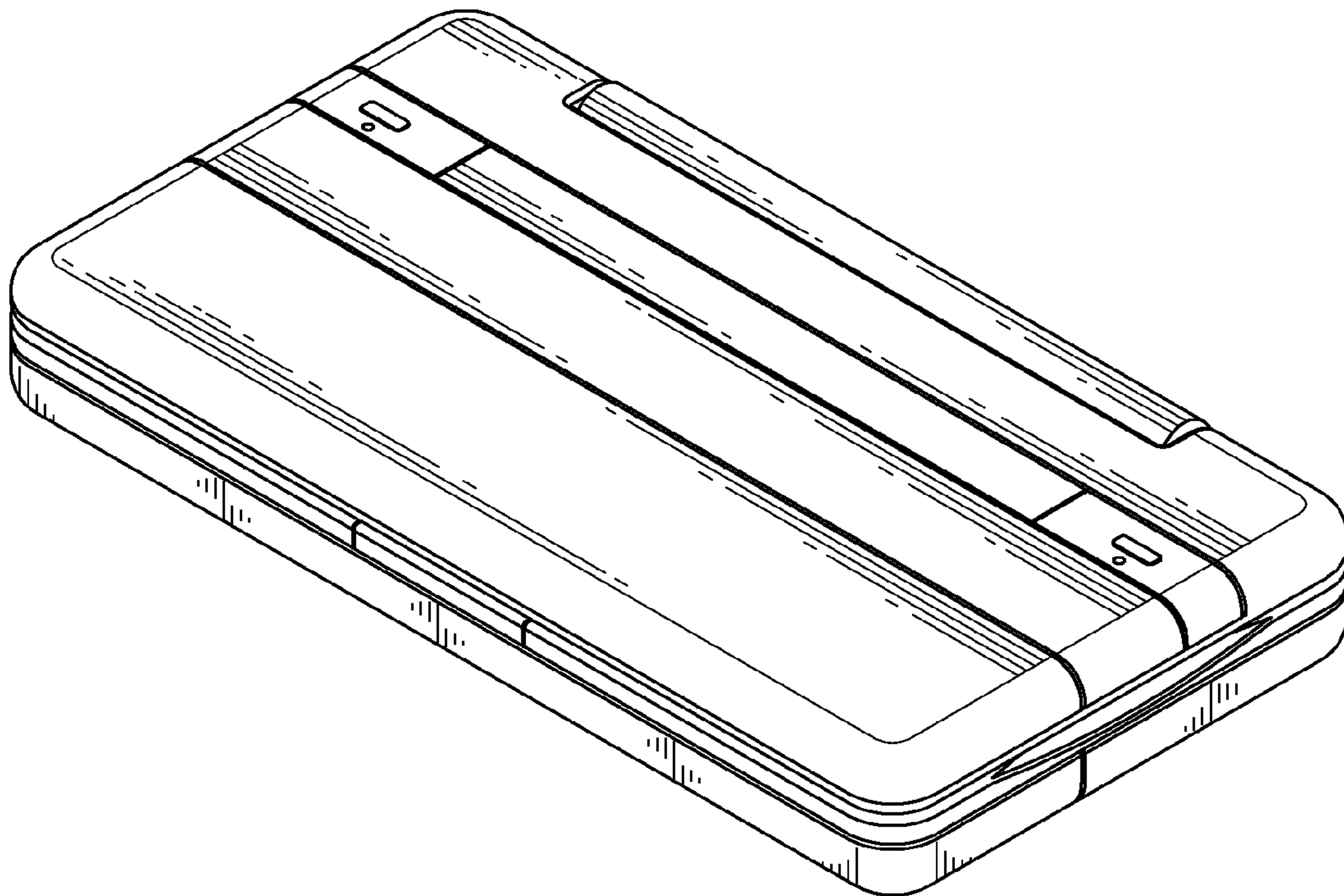
FIG. 4 is a left side elevational view thereof;

FIG. 5 is a right side elevational view thereof;

FIG. 6 is a top plan view thereof; and,

FIG. 7 is a bottom plan view thereof.

1 Claim, 7 Drawing Sheets



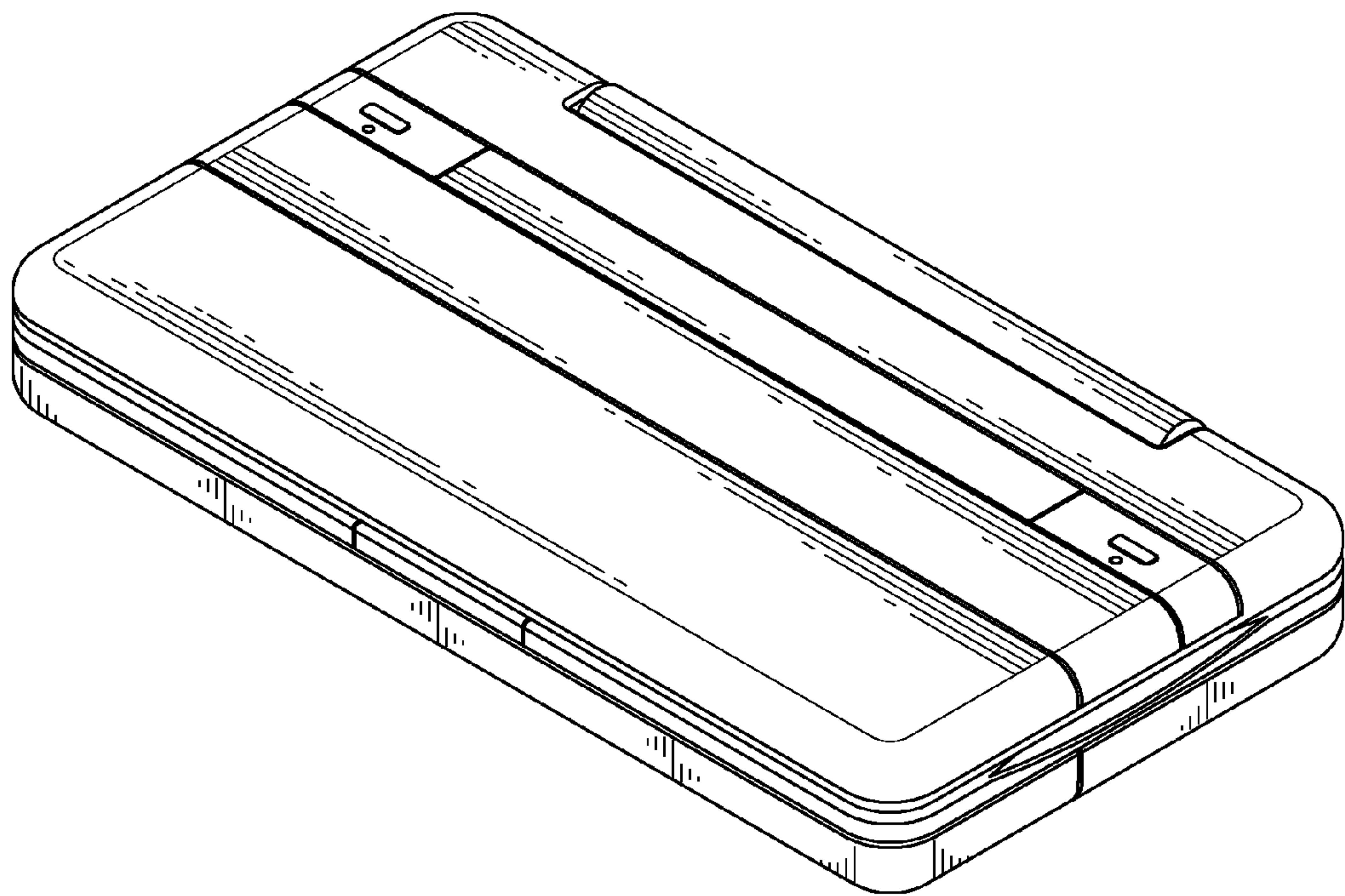


FIG. 1

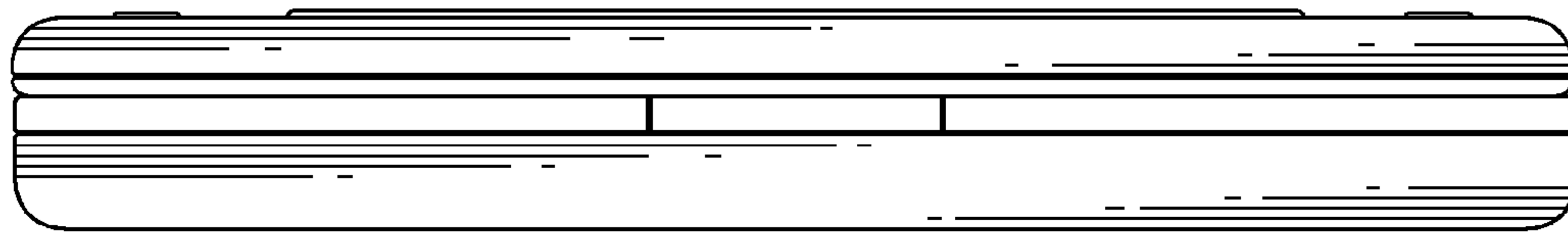


FIG. 2

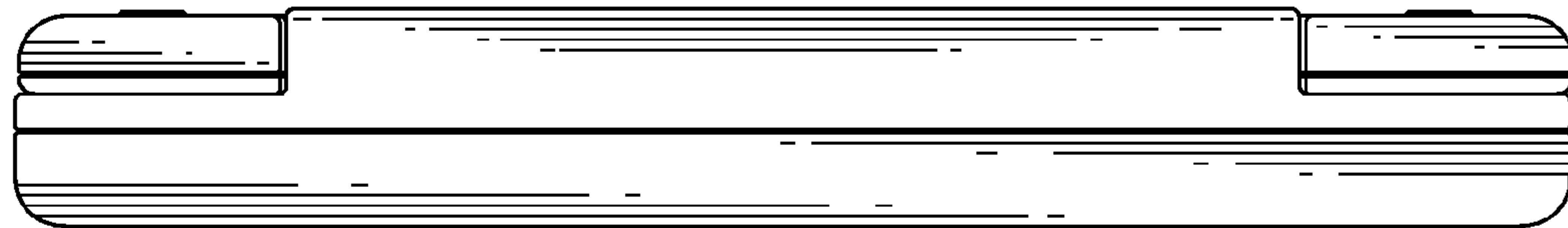


FIG. 3

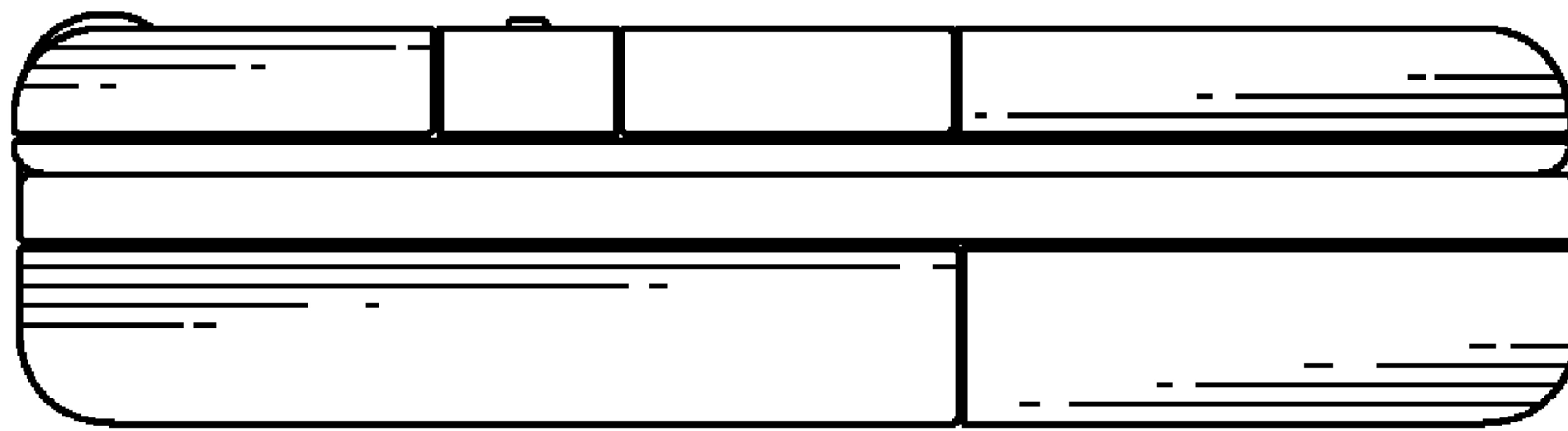


FIG. 4

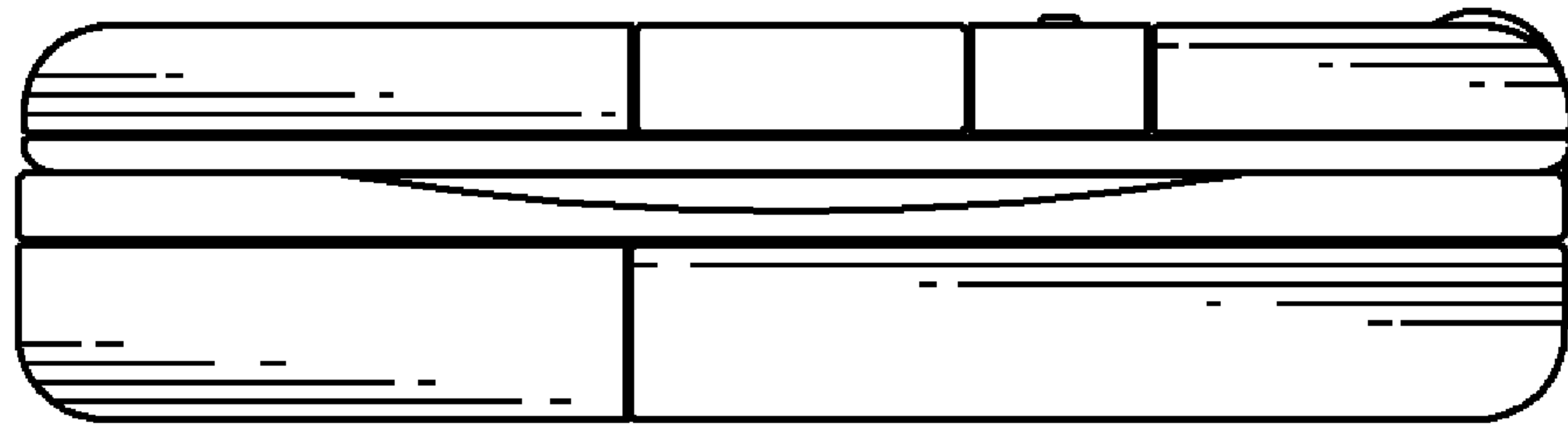


FIG. 5



FIG. 6

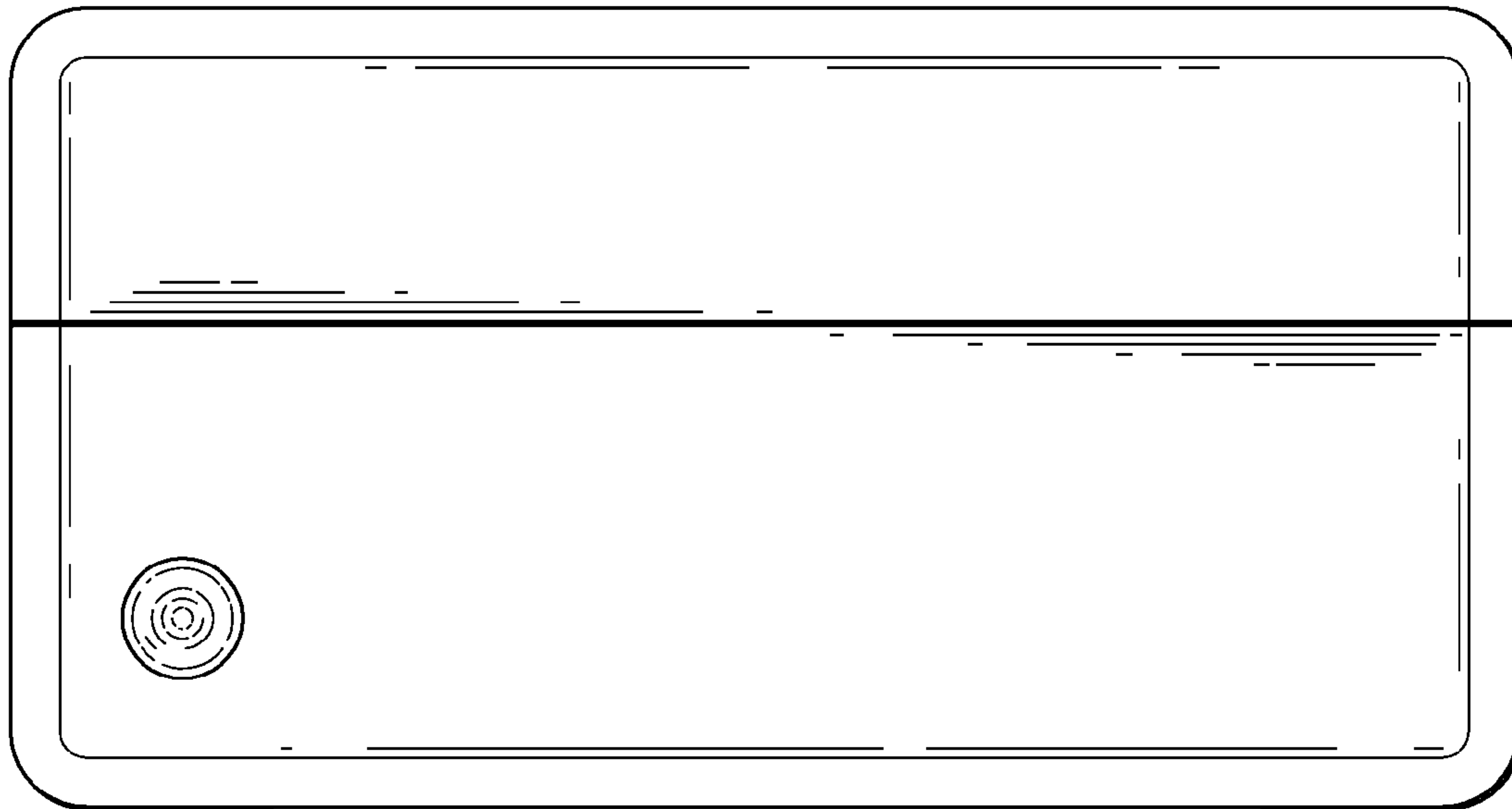


FIG. 7