



US00D610139S

(12) **United States Design Patent**
Kamata et al.

(10) **Patent No.:** **US D610,139 S**
(45) **Date of Patent:** **** Feb. 16, 2010**

(54) **PERSONAL COMPUTER**

(75) Inventors: **Shoichi Kamata**, Sagamihara (JP);
Tetsuya Yamaoka, Kawasaki (JP)

(73) Assignee: **Fujitsu Limited**, Kawasaki (JP)

(**) Term: **14 Years**

(21) Appl. No.: **29/309,725**

(22) Filed: **Sep. 29, 2008**

(30) **Foreign Application Priority Data**

Mar. 28, 2008 (JP) 2008-007948

(51) **LOC (9) Cl.** **14-02**

(52) **U.S. Cl.** **D14/337; D14/371**

(58) **Field of Classification Search** D14/371-375,
D14/126-129, 315, 318, 336, 337; 341/12;
345/104, 156, 168, 173, 87, 901-905; 348/180,
348/184, 373, 739; 349/1, 2, 58, 62; 248/917-924
See application file for complete search history.

(56) **References Cited**

U.S. PATENT DOCUMENTS

D458,928 S *	6/2002	Duan	D14/375
D521,997 S *	5/2006	Park et al.	D14/375
D540,795 S *	4/2007	Takahashi	D14/375
D561,130 S *	2/2008	Won et al.	D14/126
2006/0076463 A1 *	4/2006	Drew	248/121

* cited by examiner

Primary Examiner—Freda S Nunn

(74) *Attorney, Agent, or Firm*—Staas & Halsey LLP

(57) **CLAIM**

The ornamental design for a personal computer, as shown and described.

DESCRIPTION

FIG. 1 is a perspective view of top, front and right side of a personal computer showing our new design;

FIG. 2 is a perspective view of top, rear and left side thereof;

FIG. 3 is a front view thereof;

FIG. 4 is a rear view thereof;

FIG. 5 is a left side view thereof;

FIG. 6 is a right side view thereof;

FIG. 7 is a top plan view thereof;

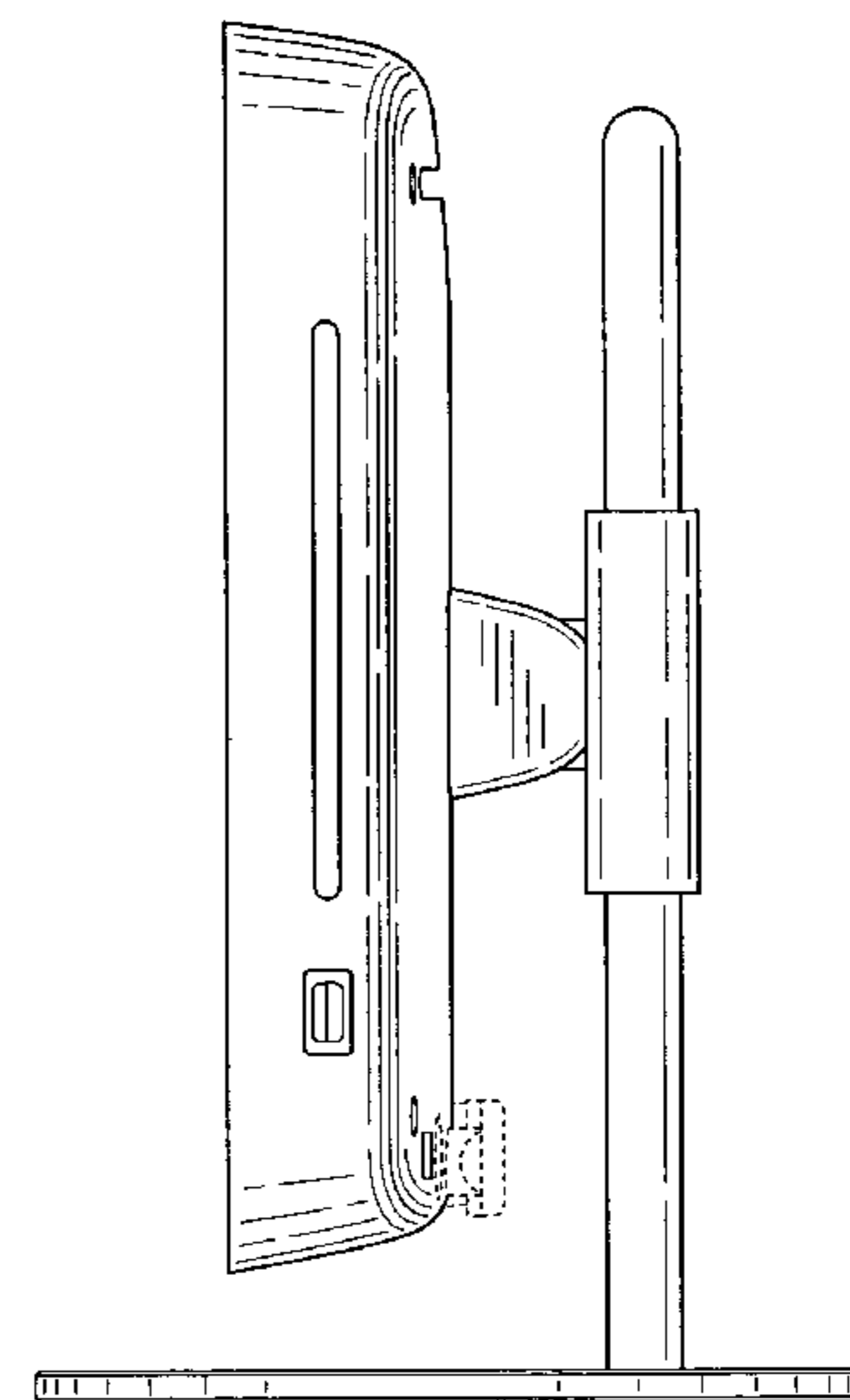
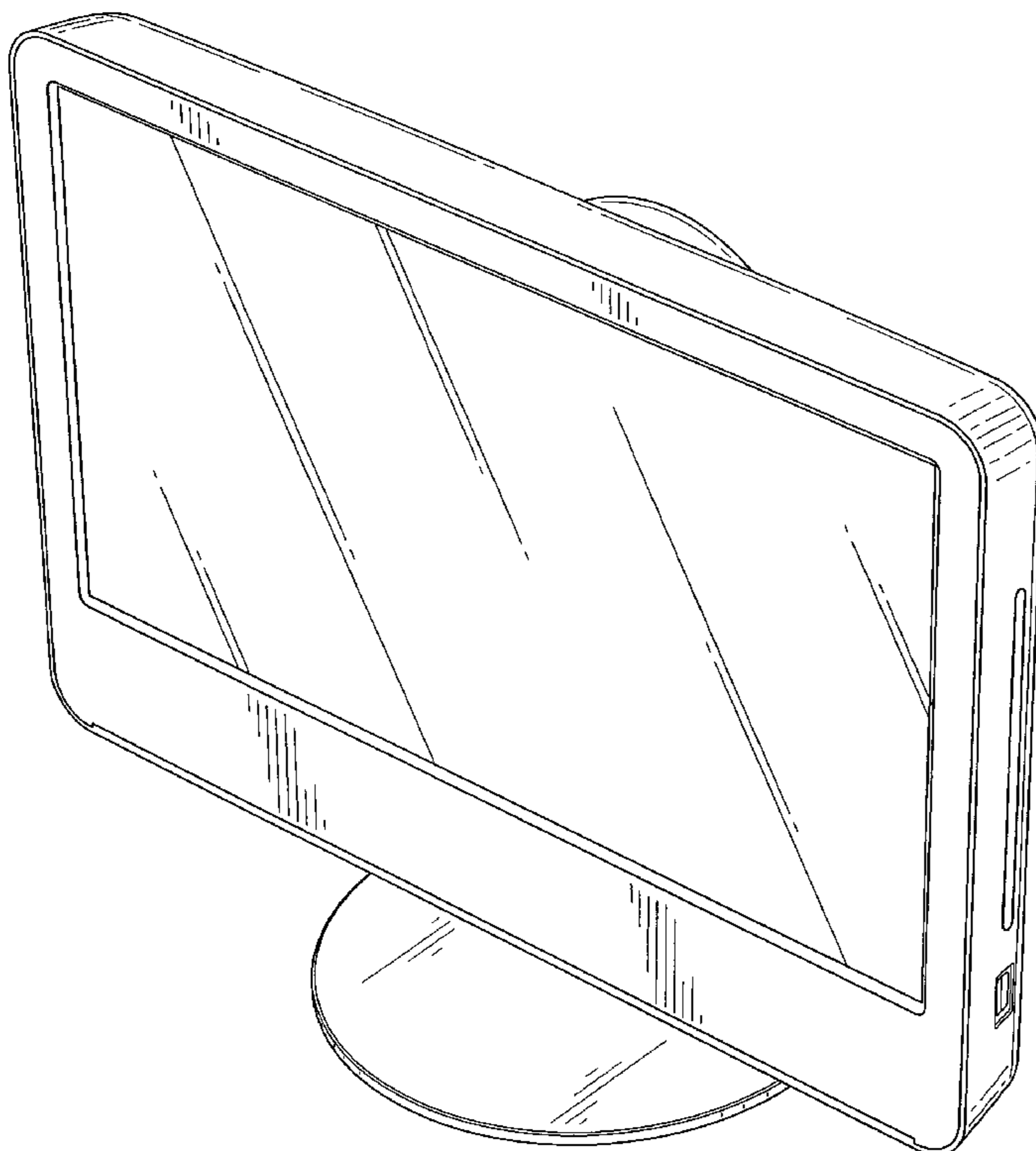
FIG. 8 is a bottom view thereof;

FIG. 9 is a right side view thereof in the condition of moving display part upwardly; and,

FIG. 10 is a right side view thereof in the condition of moving display part downwardly.

The portions of the computer shown in broken lines form no part of the claimed design.

1 Claim, 7 Drawing Sheets



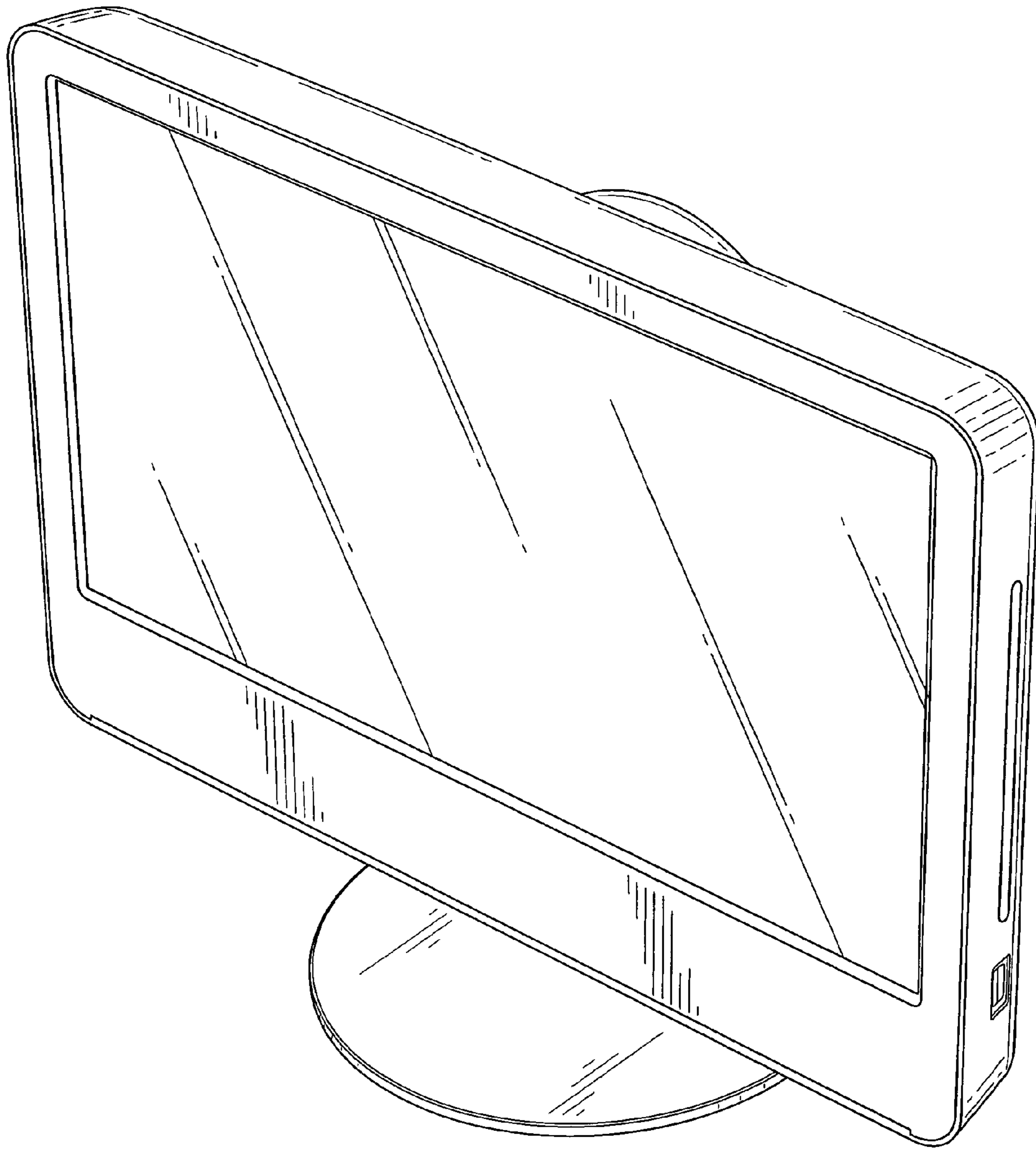


FIG. 1

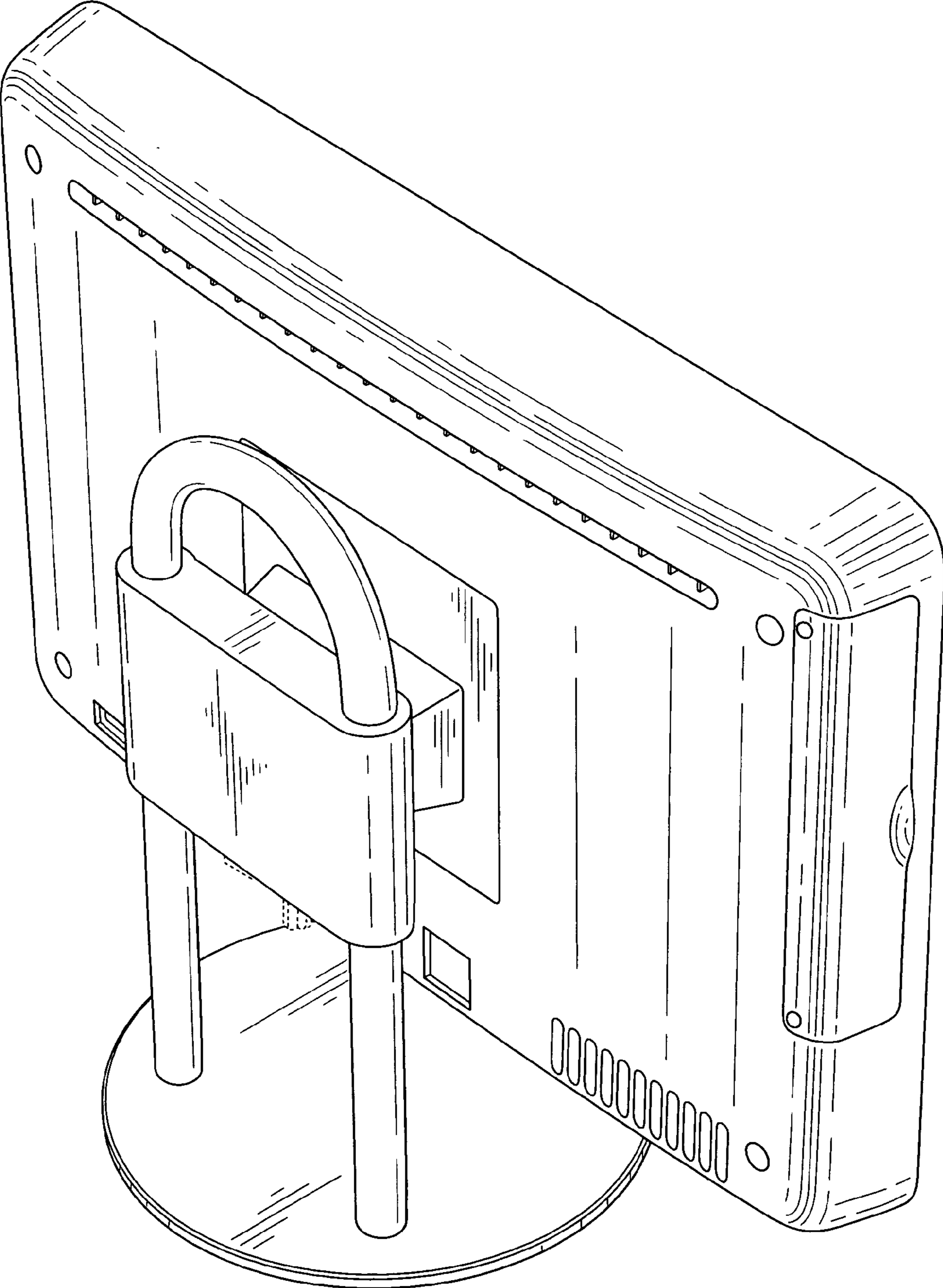


FIG. 2

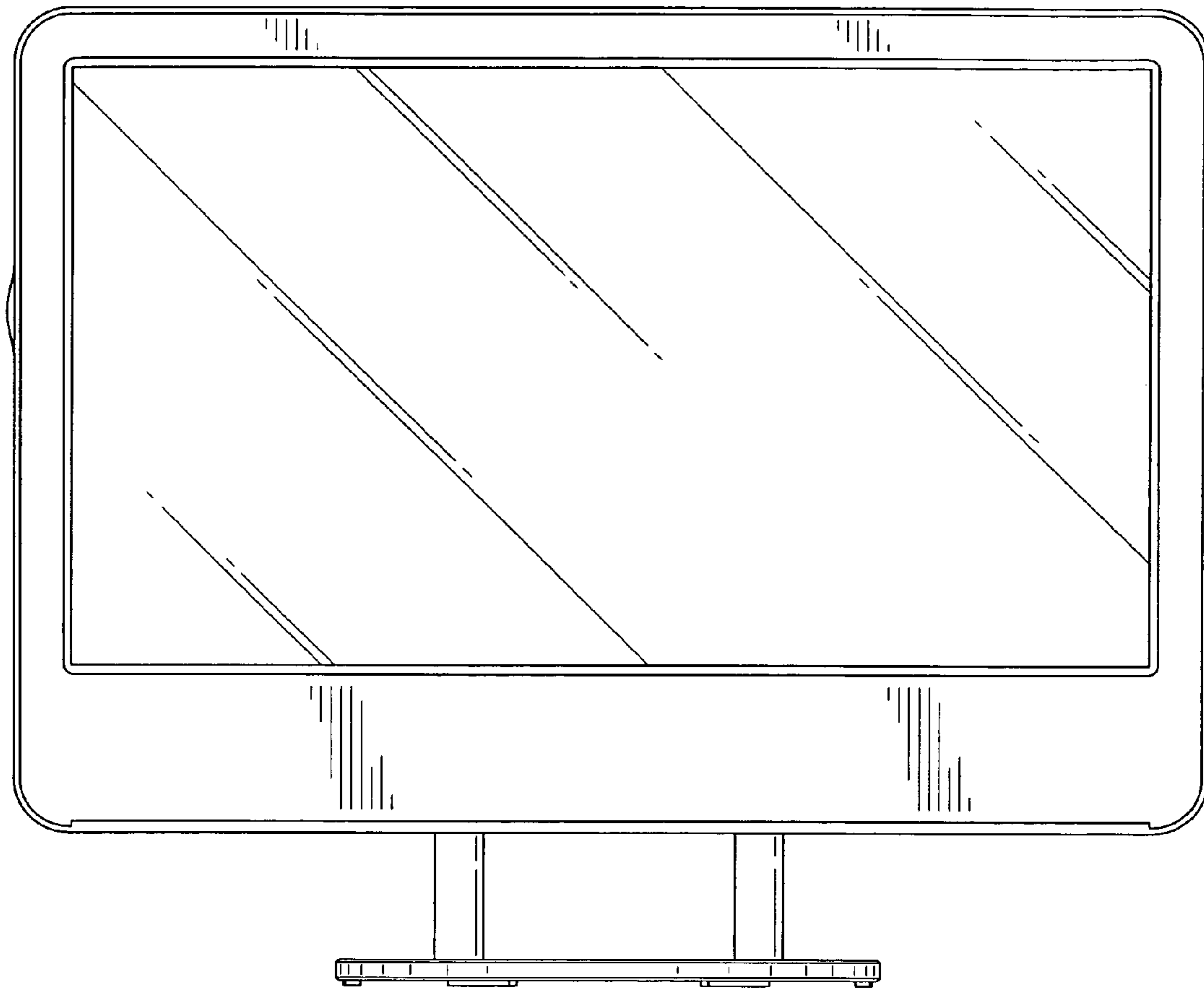


FIG. 3

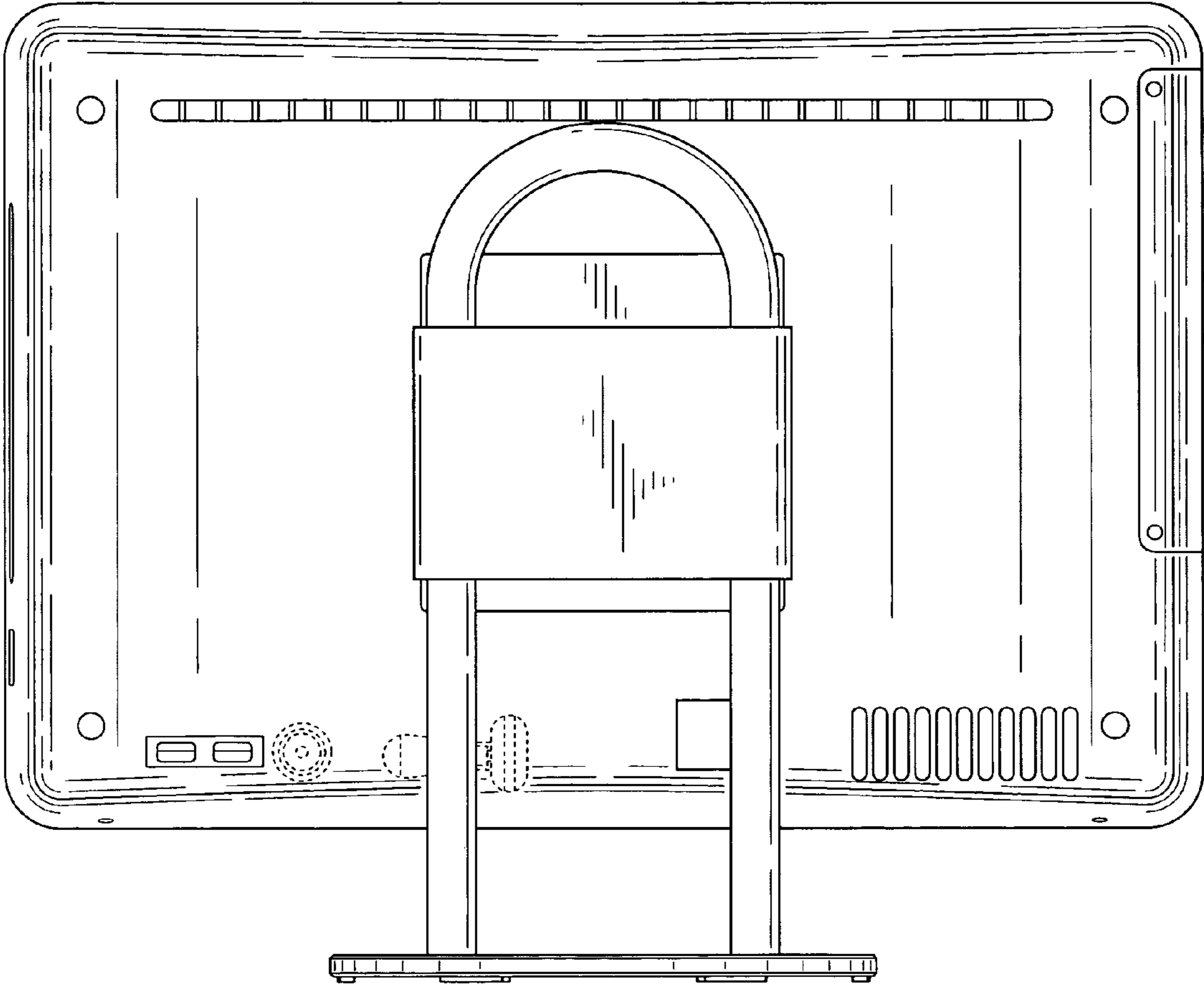


FIG. 4

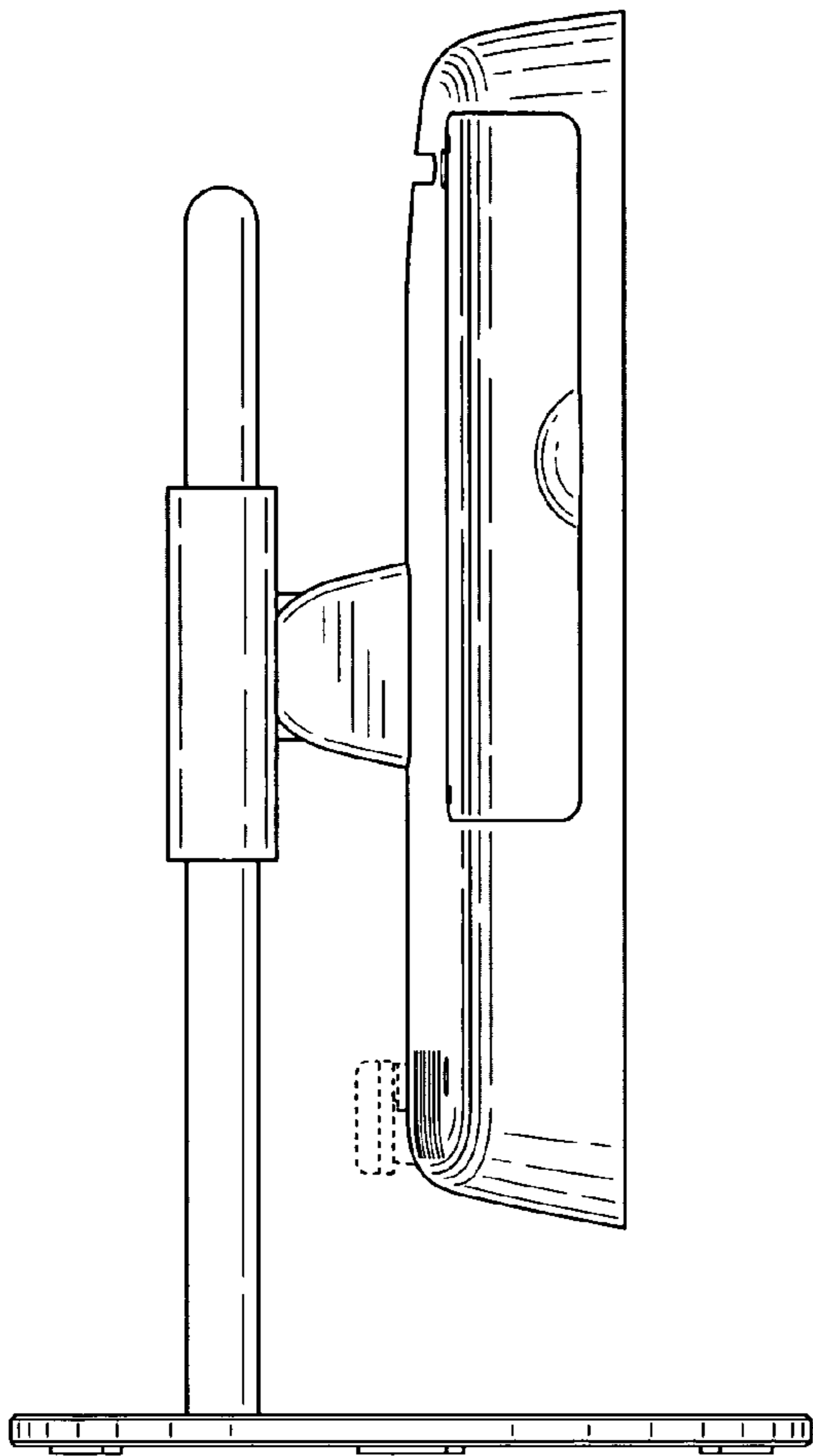


FIG. 5

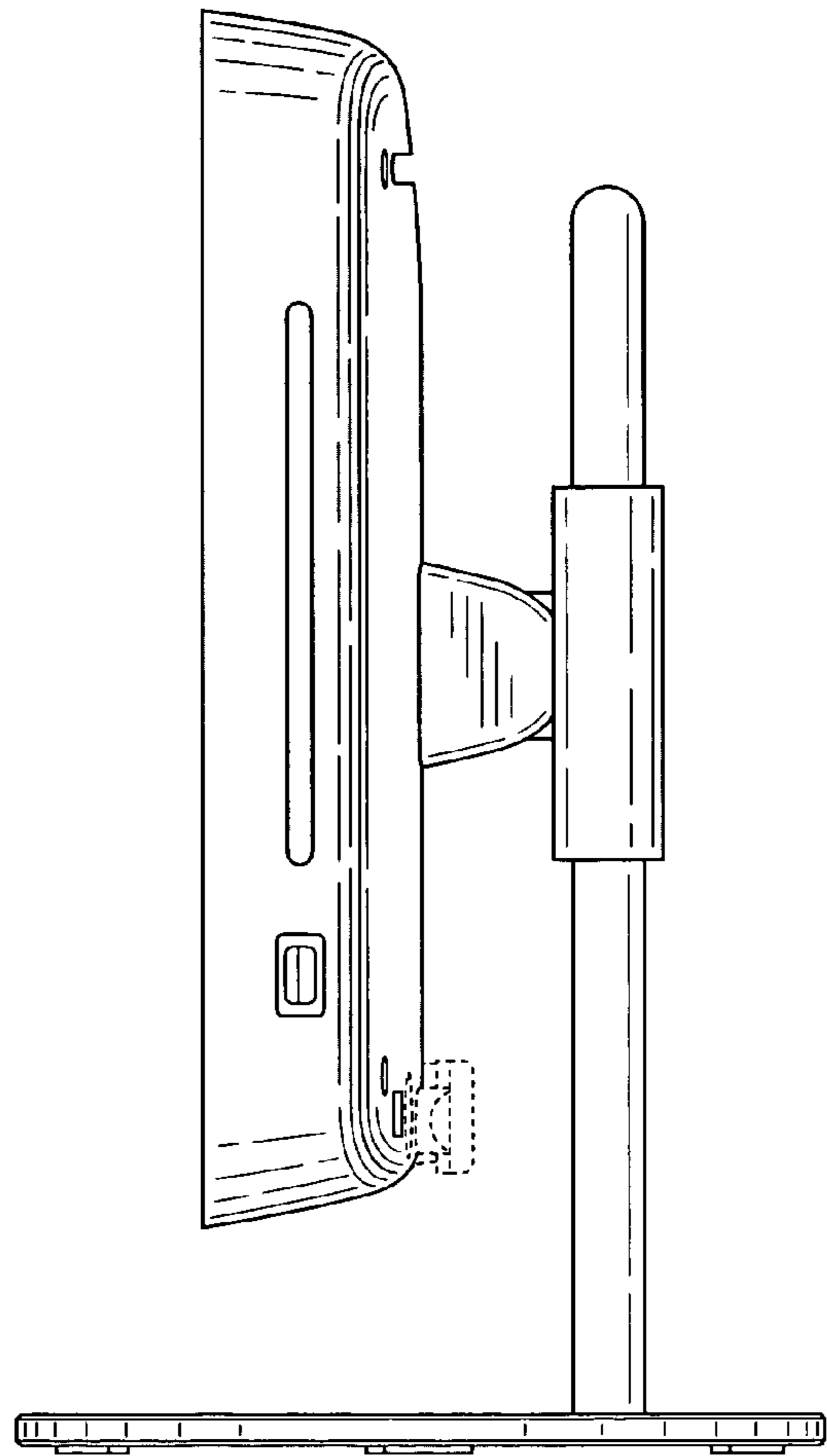


FIG. 6

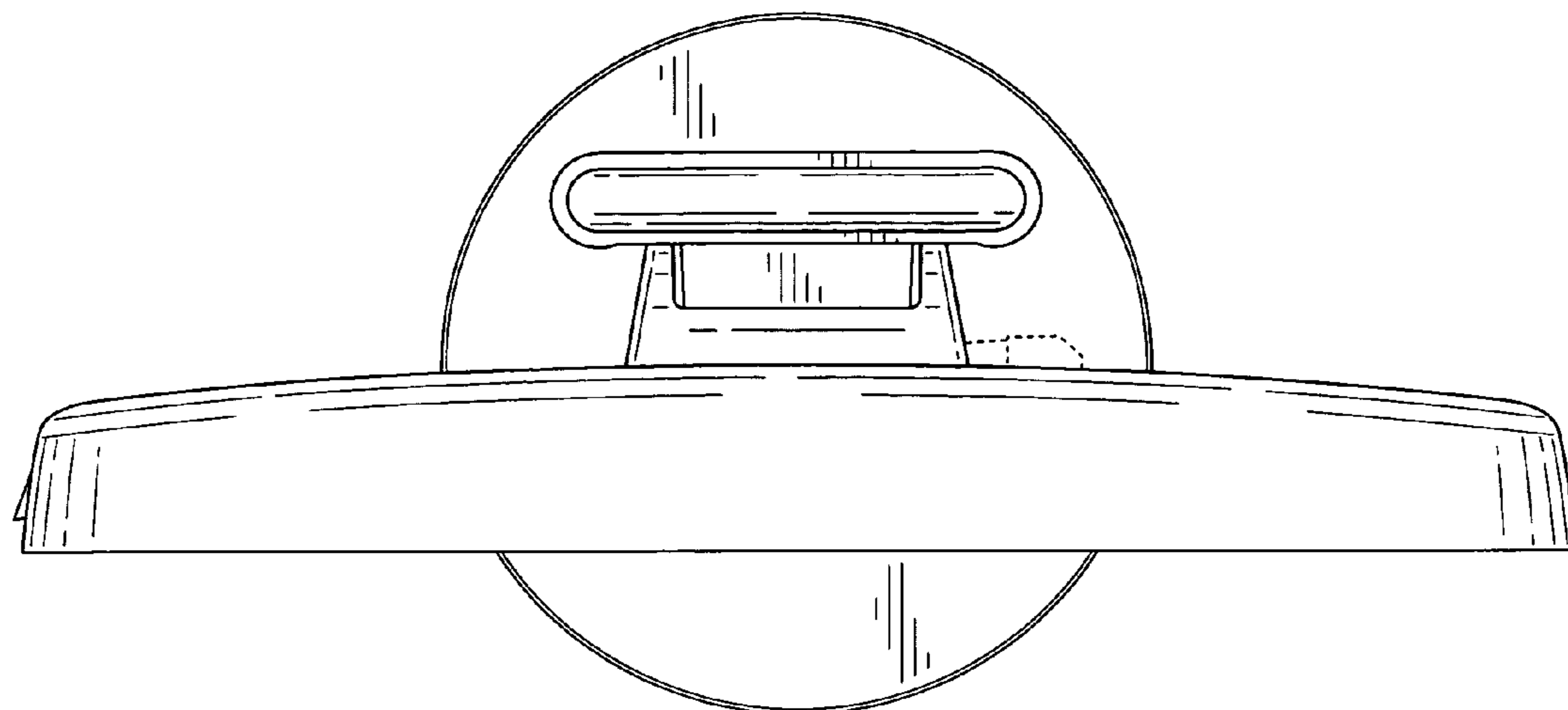


FIG. 7

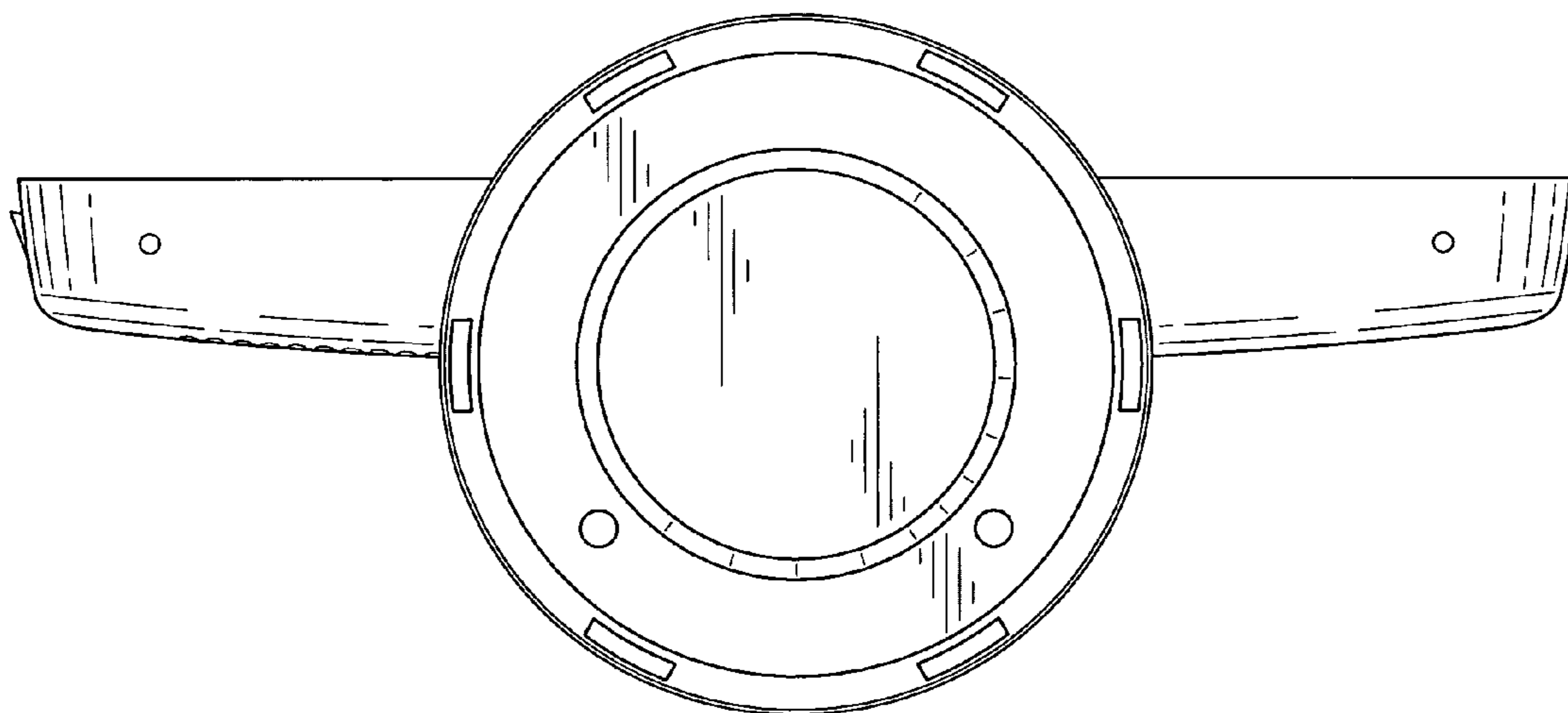


FIG. 8

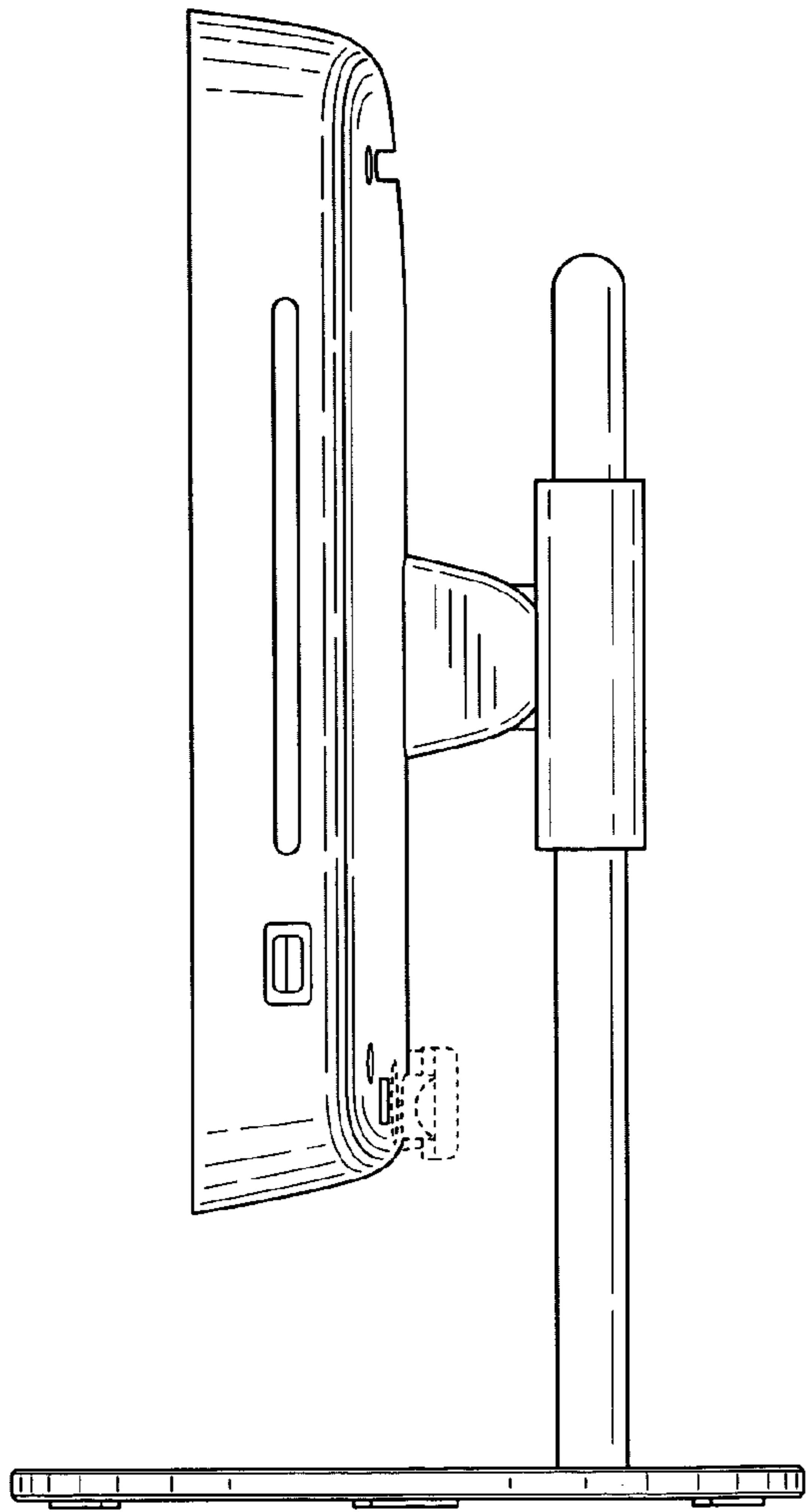


FIG. 9

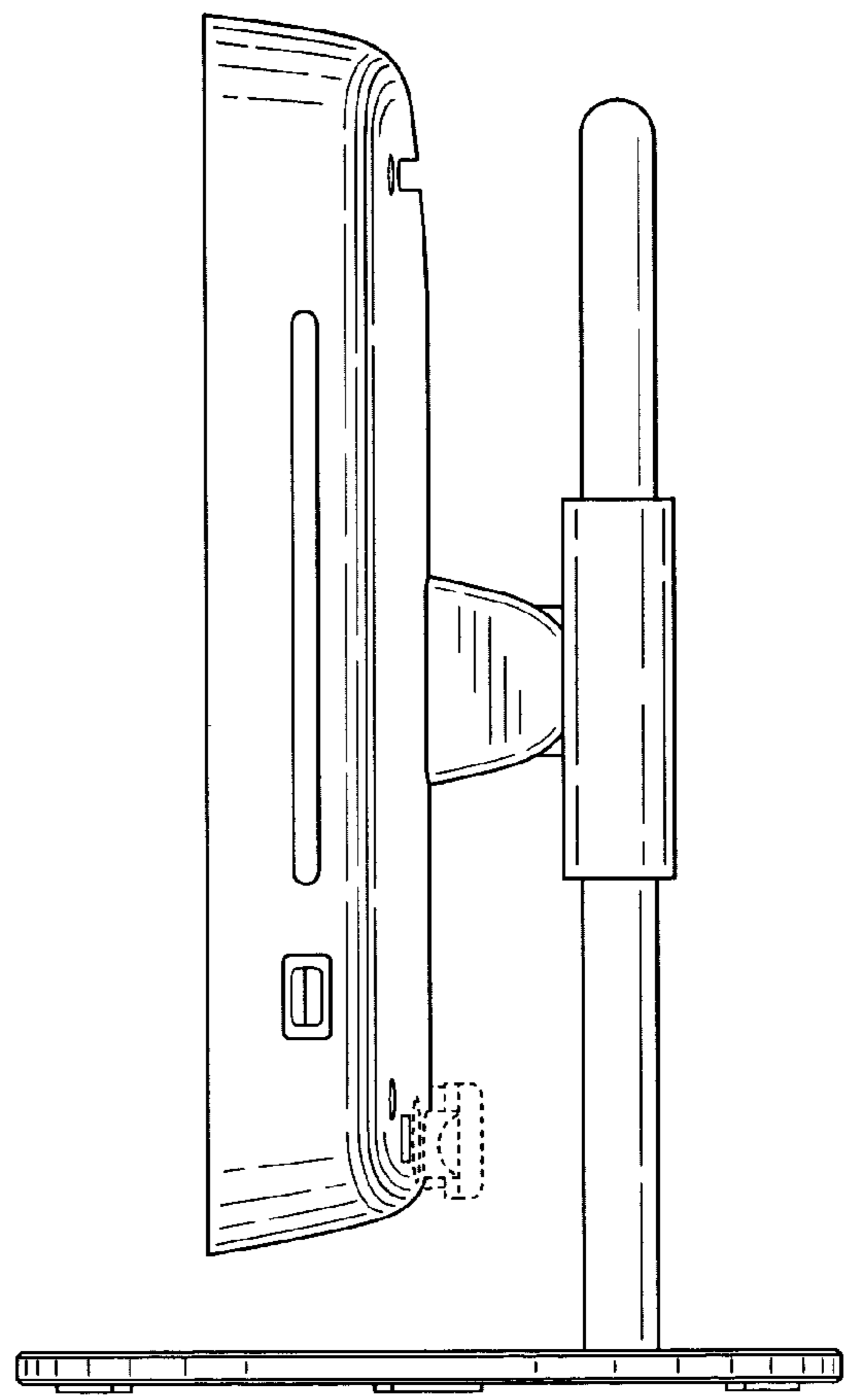


FIG. 10