



US00D610138S

(12) **United States Design Patent**  
**Andre et al.**

(10) **Patent No.:** **US D610,138 S**  
(45) **Date of Patent:** **\*\* Feb. 16, 2010**

(54) **COMPUTER**

(75) Inventors: **Bartley K. Andre**, Menlo Park, CA (US); **Daniel J. Coster**, San Francisco, CA (US); **Daniele De Iuliis**, San Francisco, CA (US); **Richard P. Howarth**, San Francisco, CA (US); **Jonathan P. Ive**, San Francisco, CA (US); **Steve Jobs**, Palo Alto, CA (US); **Duncan Robert Kerr**, San Francisco, CA (US); **Shin Nishibori**, Portola Valley, CA (US); **Matthew Dean Rohrbach**, San Francisco, CA (US); **Peter Russell-Clarke**, San Francisco, CA (US); **Douglas B. Satzger**, Menlo Park, CA (US); **Calvin Q. Seid**, Palo Alto, CA (US); **Vincent Keane Seid**, legal representative, Los Gatos, CA (US); **Christopher J. Stringer**, Woodside, CA (US); **Eugene Antony Whang**, San Francisco, CA (US); **Rico Zorkendorfer**, San Francisco, CA (US)

(73) Assignee: **Apple Inc.**, Cupertino, CA (US)

(\*\*) Term: **14 Years**

(21) Appl. No.: **29/342,525**

(22) Filed: **Aug. 26, 2009**

**Related U.S. Application Data**

(62) Division of application No. 29/289,878, filed on Aug. 2, 2007.

(51) **LOC (9) Cl.** ..... **14-02**

(52) **U.S. Cl.** ..... **D14/336**

(58) **Field of Classification Search** ..... D14/371-376, D14/125-129, 336, 337; 248/917-924, 371, 248/121, 176.1, 278.1; 341/12; 345/104, 345/156, 173, 174, 901-905; 348/180, 184, 348/325, 739; 349/1, 2, 11, 62; 361/679.08

See application file for complete search history.

(56) **References Cited**

**U.S. PATENT DOCUMENTS**

D294,262 S 2/1988 Thies et al.

(Continued)

**OTHER PUBLICATIONS**

MACWORLD magazine, Jun. 2007, cover.

*Primary Examiner*—Freda S Nunn

(74) *Attorney, Agent, or Firm*—SAIDMAN DesignLaw Group

(57) **CLAIM**

The ornamental design for a computer, as shown and described.

**DESCRIPTION**

FIG. 1 is a front perspective view of a computer showing our new design;

FIG. 2 is a front view thereof;

FIG. 3 is a rear view thereof;

FIG. 4 is a right side view thereof;

FIG. 5 is a left side view thereof;

FIG. 6 is a top view thereof;

FIG. 7 is a bottom view thereof;

FIG. 8 is a rear perspective view thereof;

FIG. 9 is another rear perspective view thereof;

FIG. 10 is a front perspective view of a second embodiment thereof;

FIG. 11 is a front view thereof;

FIG. 12 is a rear view thereof;

FIG. 13 is a right side view thereof;

FIG. 14 is a left side view thereof;

FIG. 15 is a top view thereof;

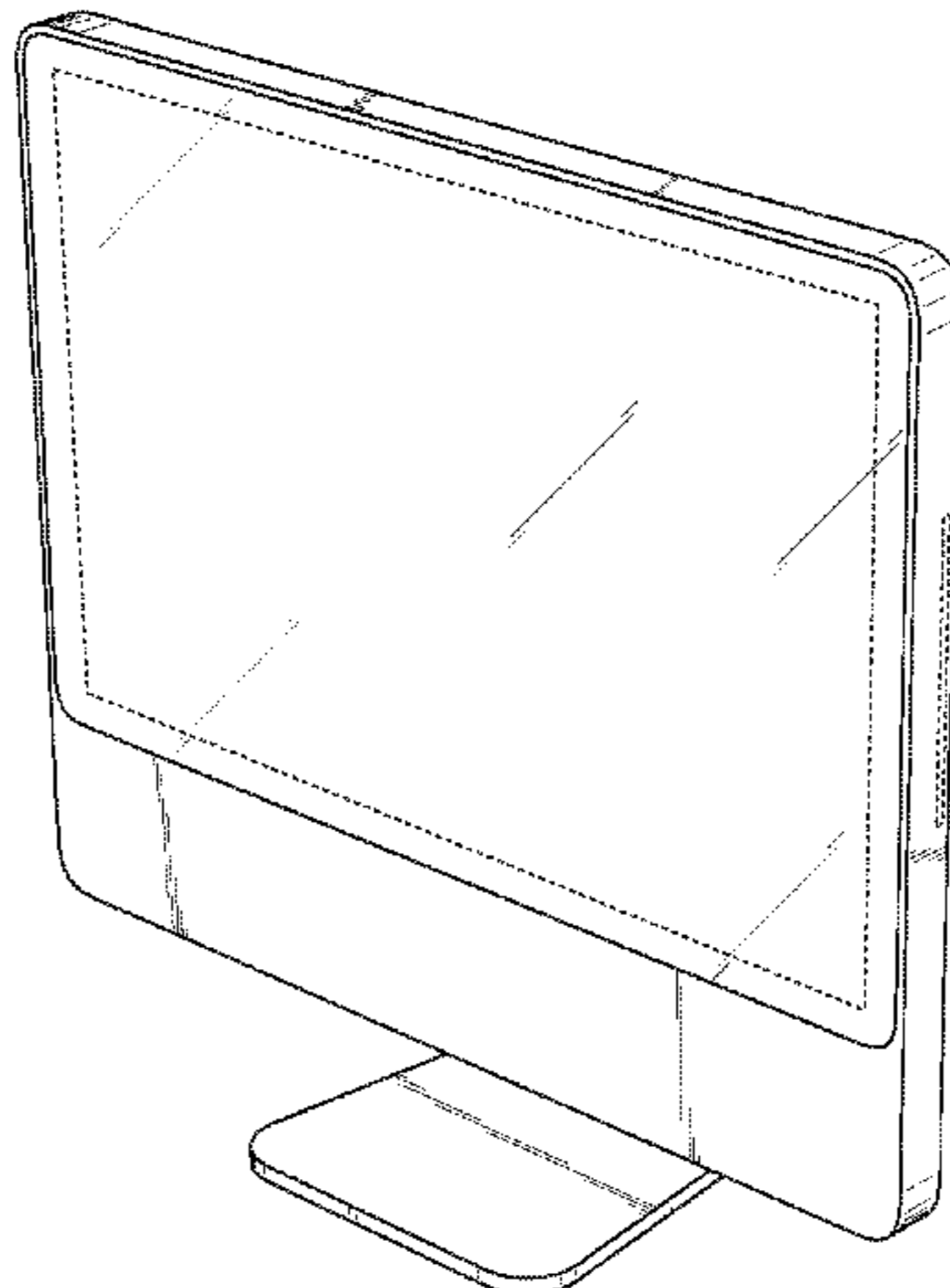
FIG. 16 is a bottom view thereof;

FIG. 17 is a rear perspective view thereof; and,

FIG. 18 is another rear perspective view thereof.

The broken line showing is for the purpose of illustrating environmental structure and forms no part of the claimed design.

**1 Claim, 14 Drawing Sheets**



# US D610,138 S

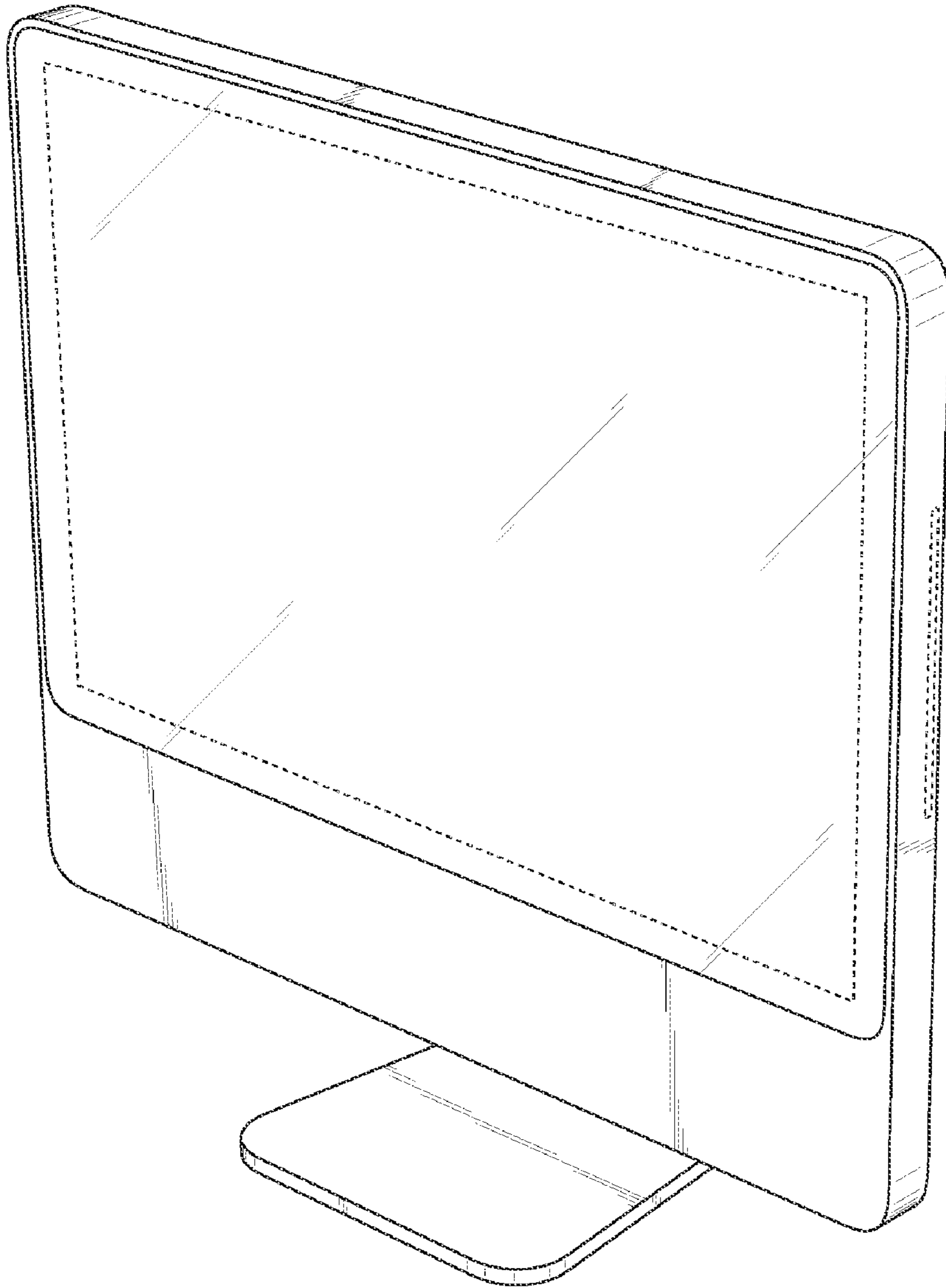
Page 2

---

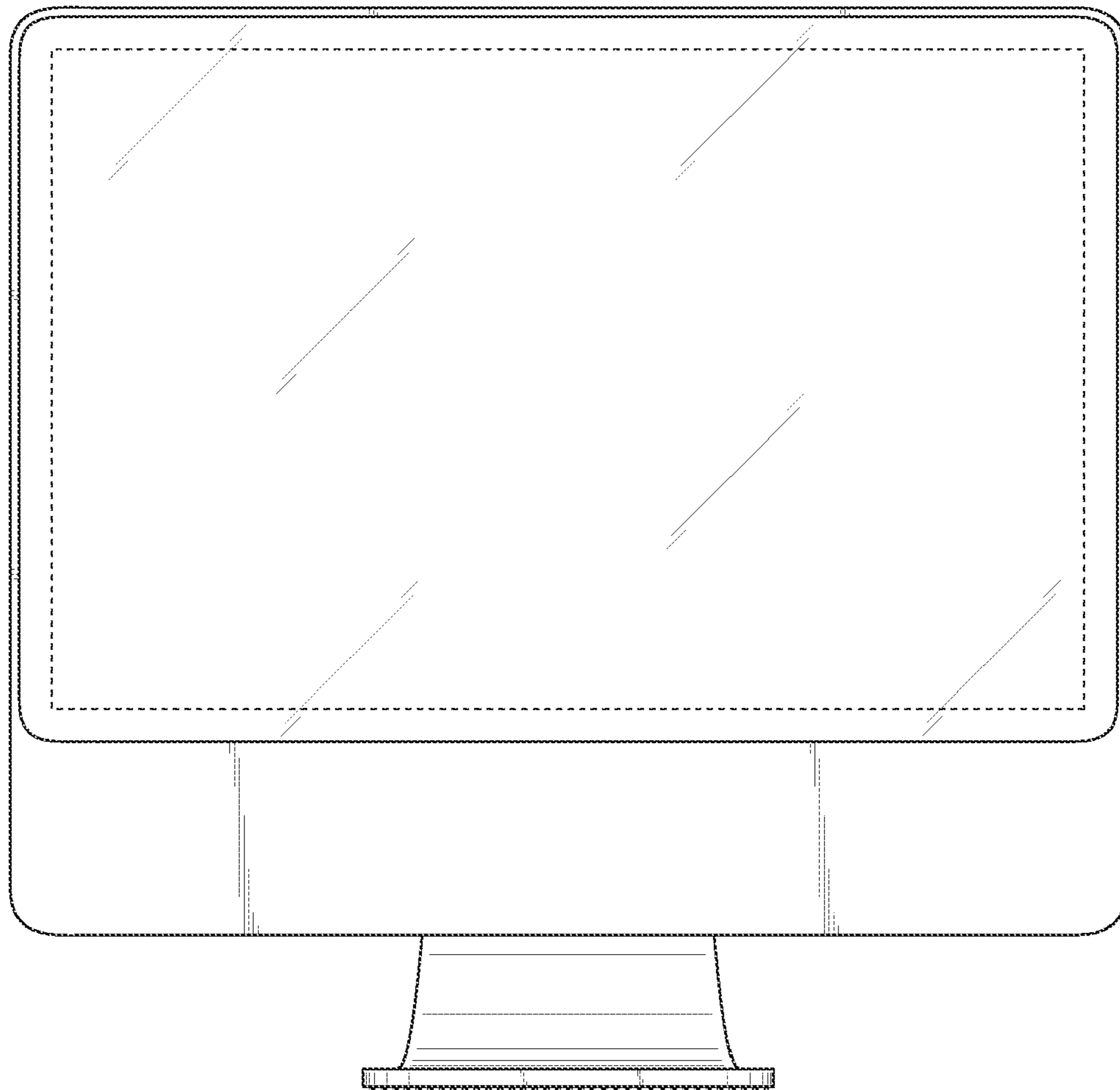
## U.S. PATENT DOCUMENTS

D428,415 S	7/2000	Shibata	D495,332 S	8/2004	Jobs et al.	
D432,101 S	10/2000	Oba	D496,040 S	9/2004	Jobs et al.	
D434,763 S	12/2000	Jobs et al.	D504,889 S *	5/2005	Andre et al. ....	D14/341
D453,022 S	1/2002	Oba	D520,006 S *	5/2006	Chen et al. ....	D14/375
D456,023 S	4/2002	Andre et al.	D529,913 S *	10/2006	Chen et al. ....	D14/375
6,381,125 B1 *	4/2002	Mizoguchi et al. ....	D531,631 S	11/2006	Andre et al.	
D464,049 S	10/2002	Goto	D532,011 S	11/2006	Andre et al.	
D476,335 S	6/2003	Miao et al.	D541,278 S *	4/2007	Hsu et al. ....	D14/375
D486,486 S	2/2004	Jobs et al.	2002/0020792 A1 *	2/2002	Lee .....	248/278.1
D488,139 S	4/2004	Takami et al.	2003/0189155 A1 *	10/2003	Serbinski et al. ....	248/371
D491,901 S	6/2004	Chin et al.	2006/0076463 A1 *	4/2006	Drew .....	248/121
D494,971 S	8/2004	Jobs et al.	2006/0237599 A1 *	10/2006	Ternus et al. ....	248/176.1

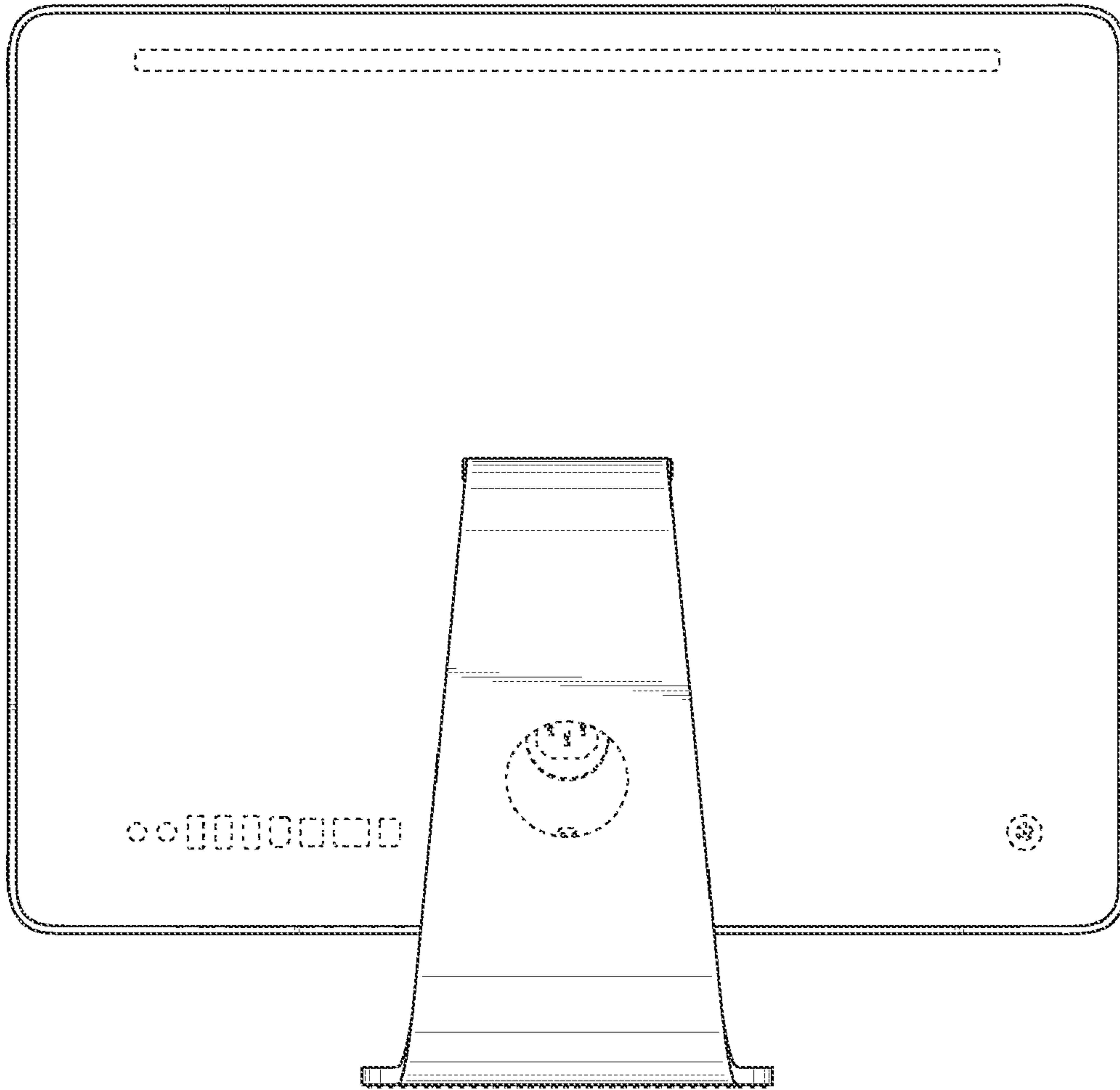
\* cited by examiner



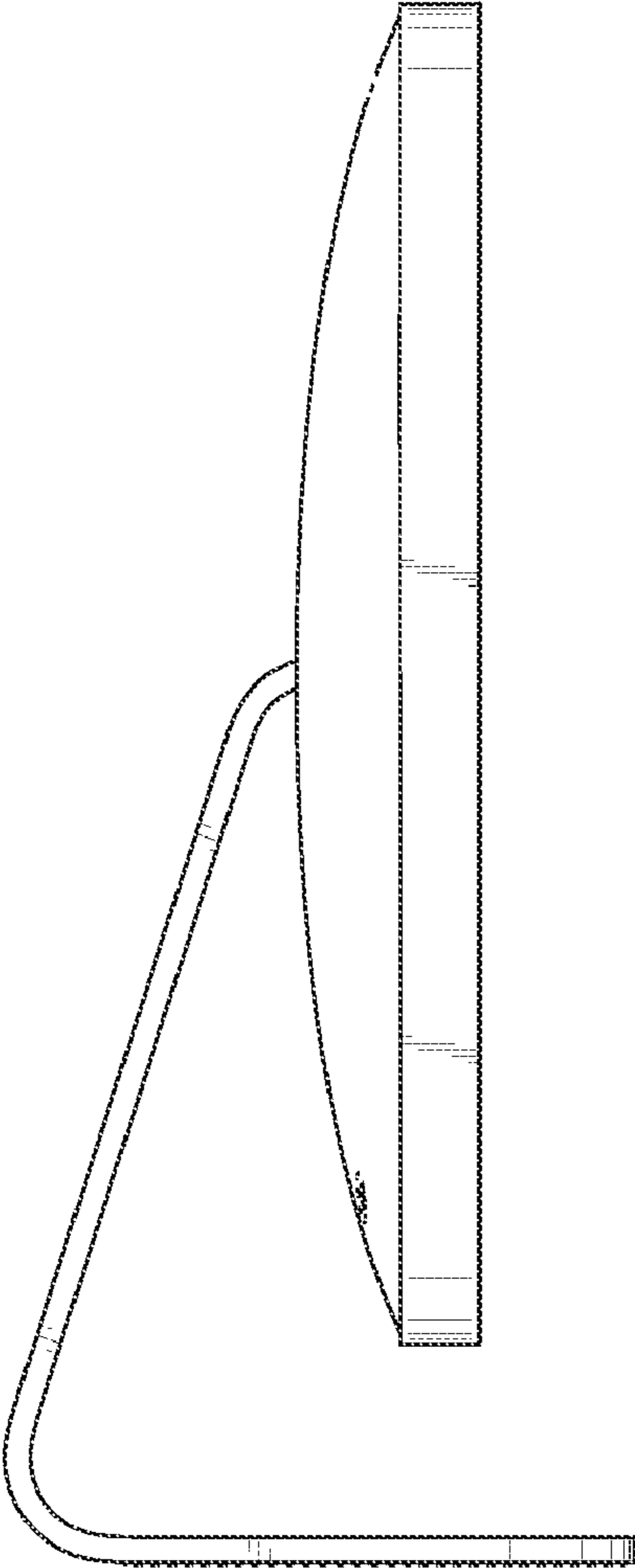
*Fig. 1*



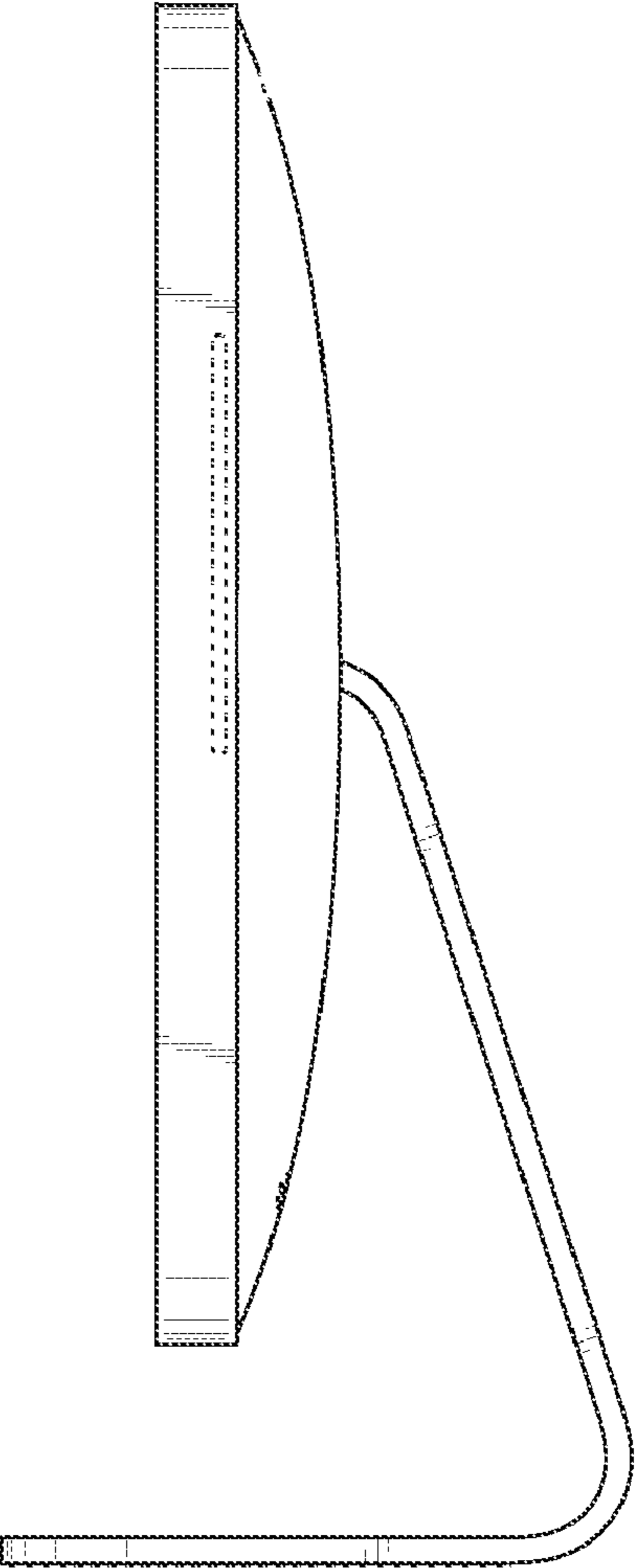
*Fig. 2*



*Fig. 3*

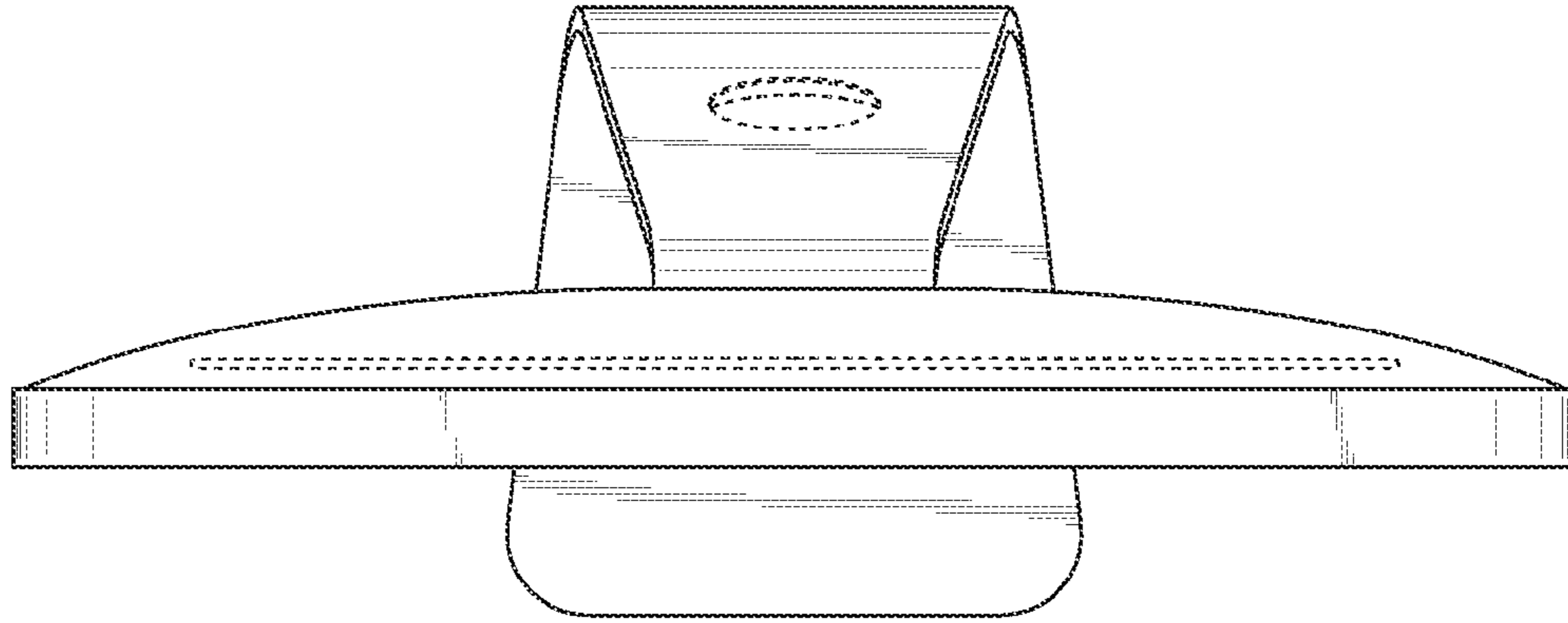


*Fig. 4*

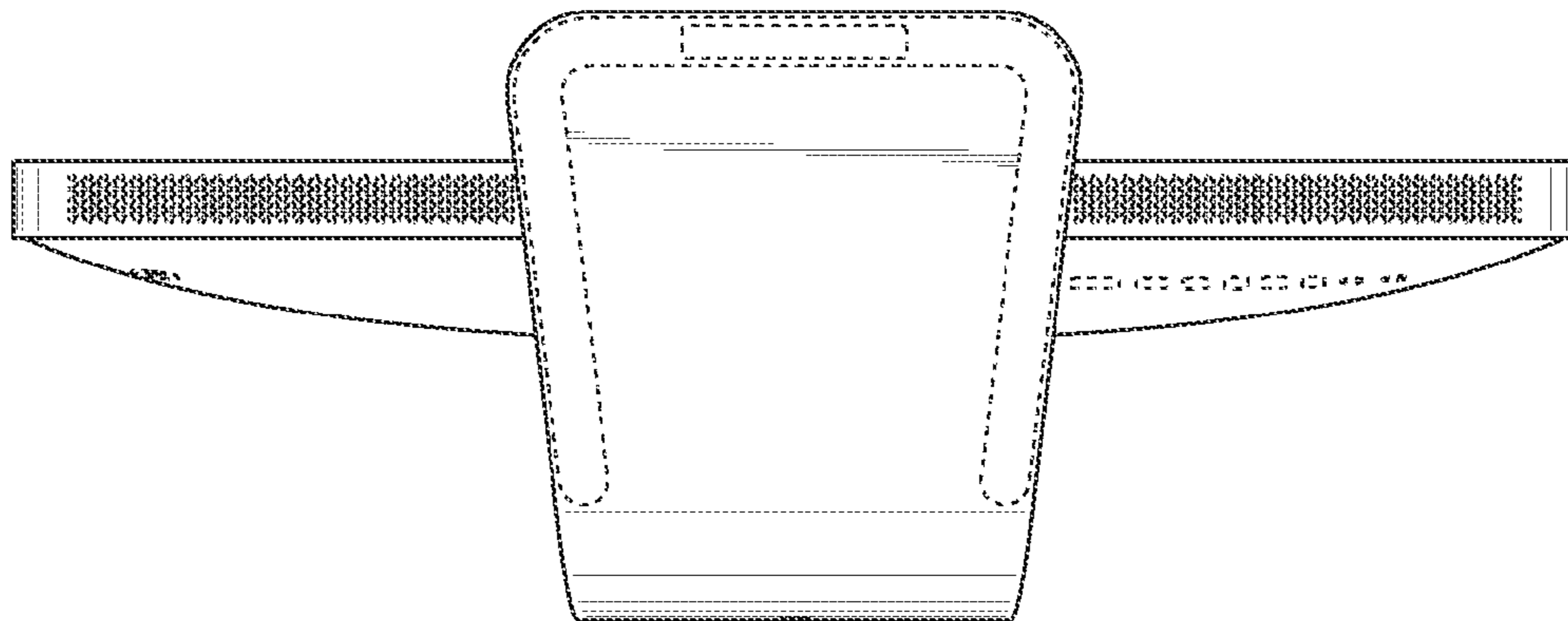


*Fig. 5*

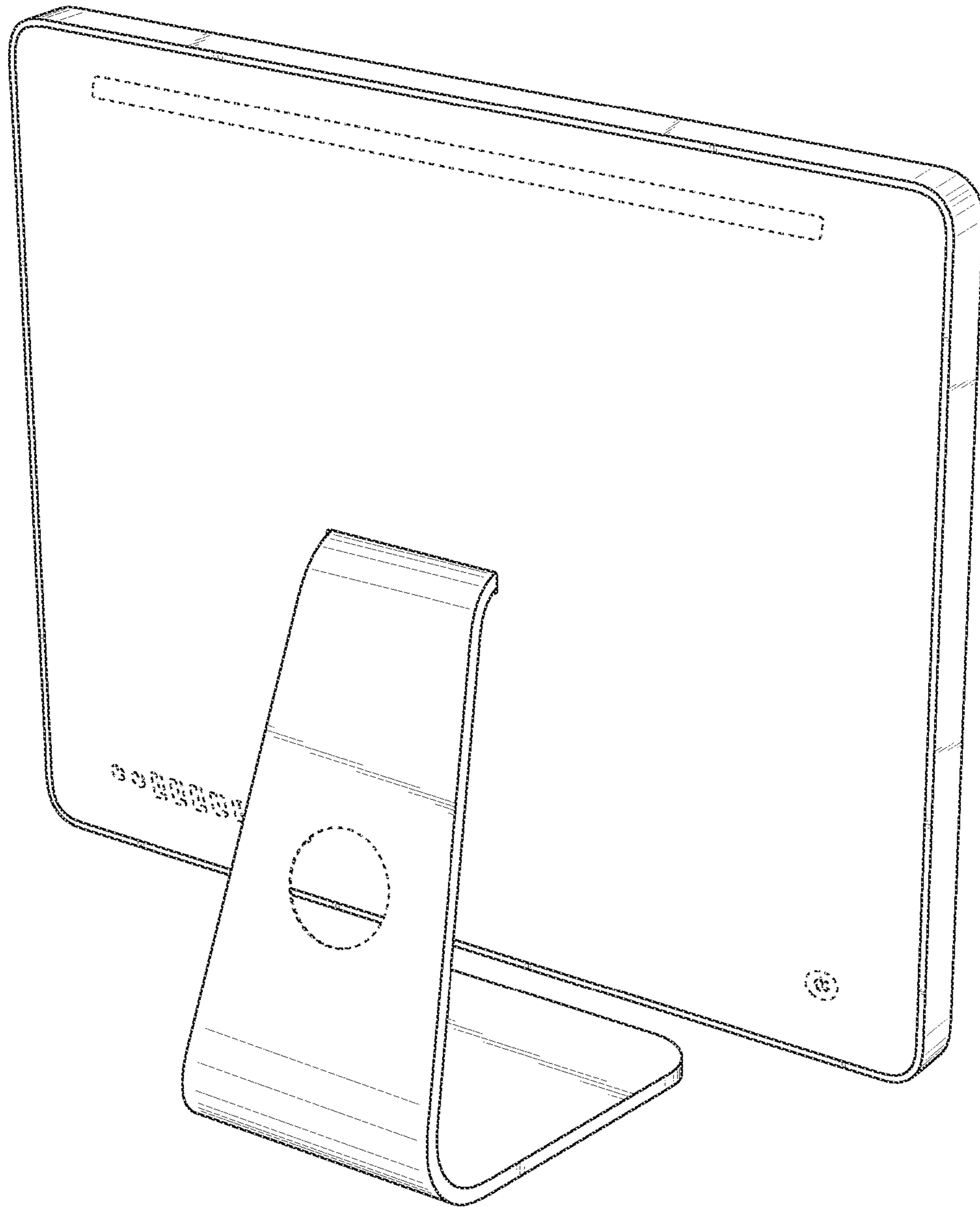




*Fig. 6*

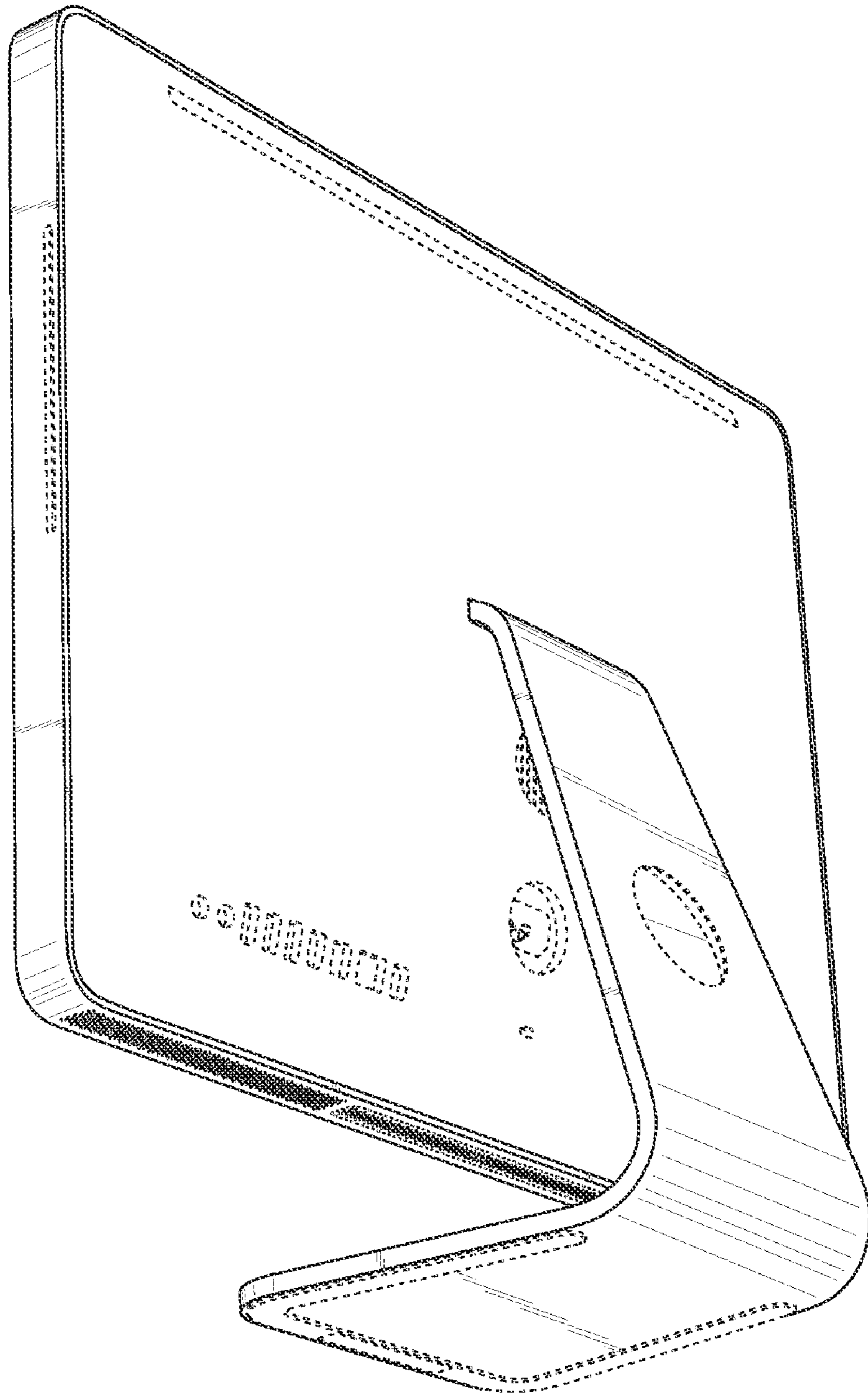


*Fig. 7*

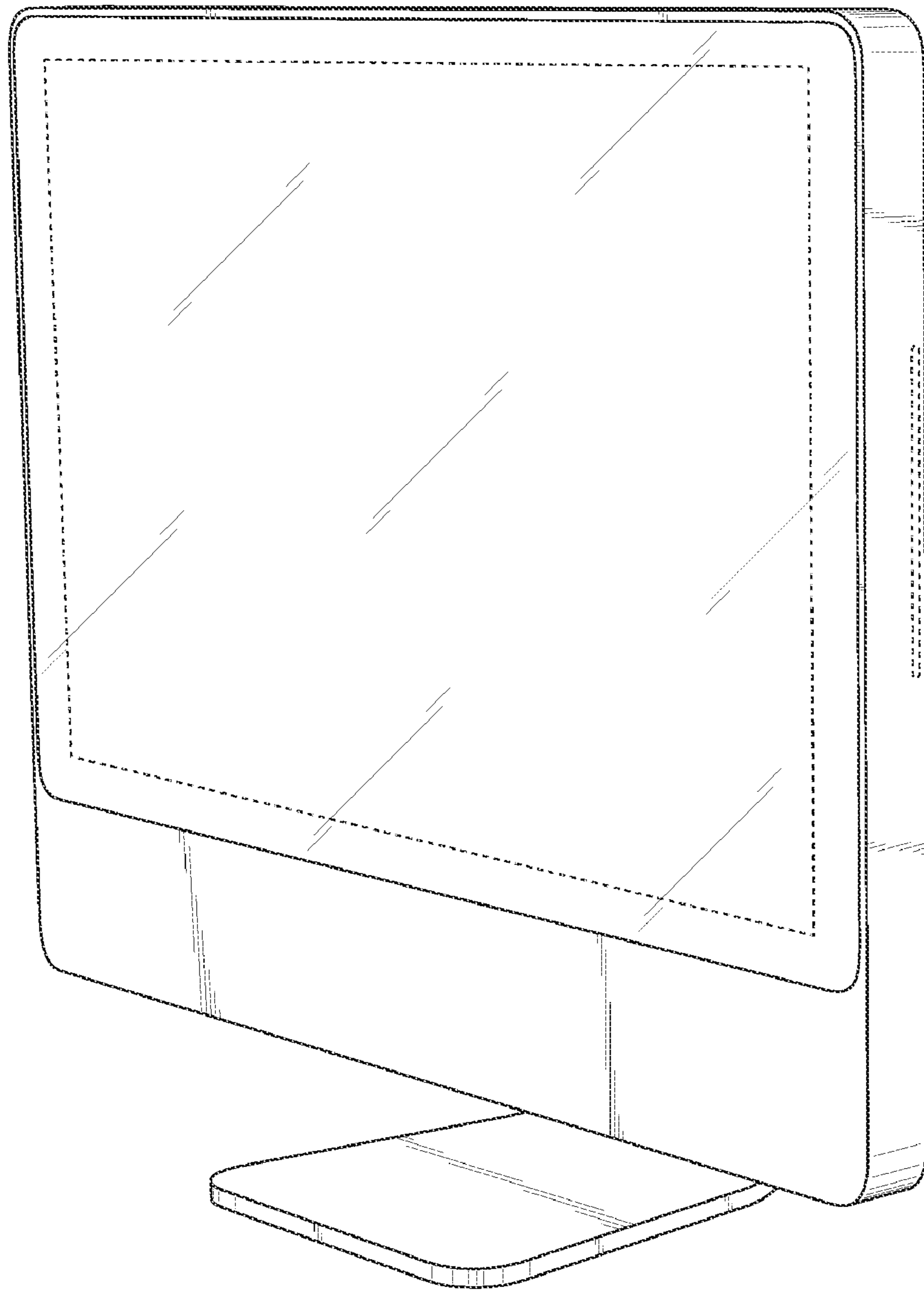


**Fig. 8**

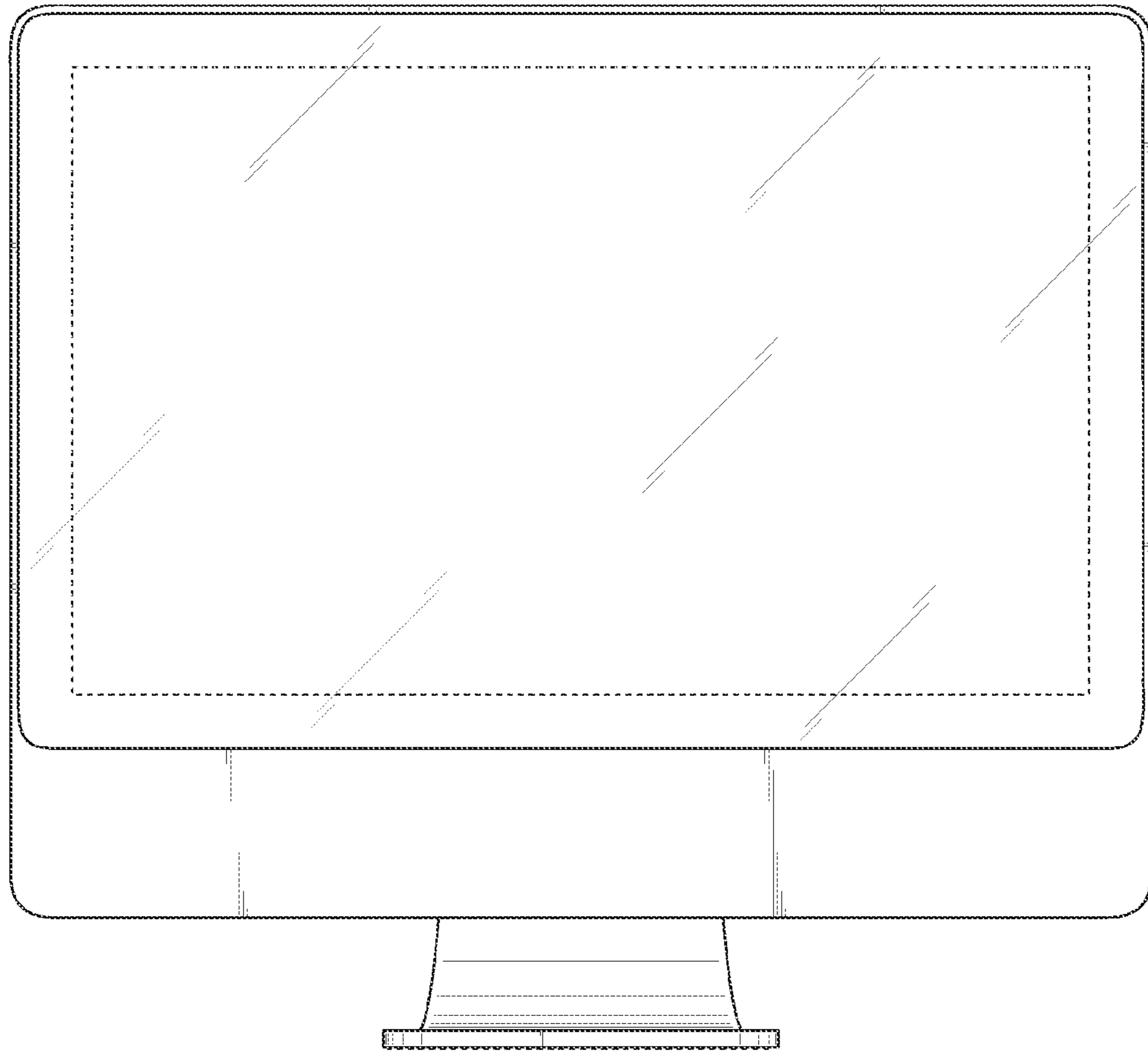




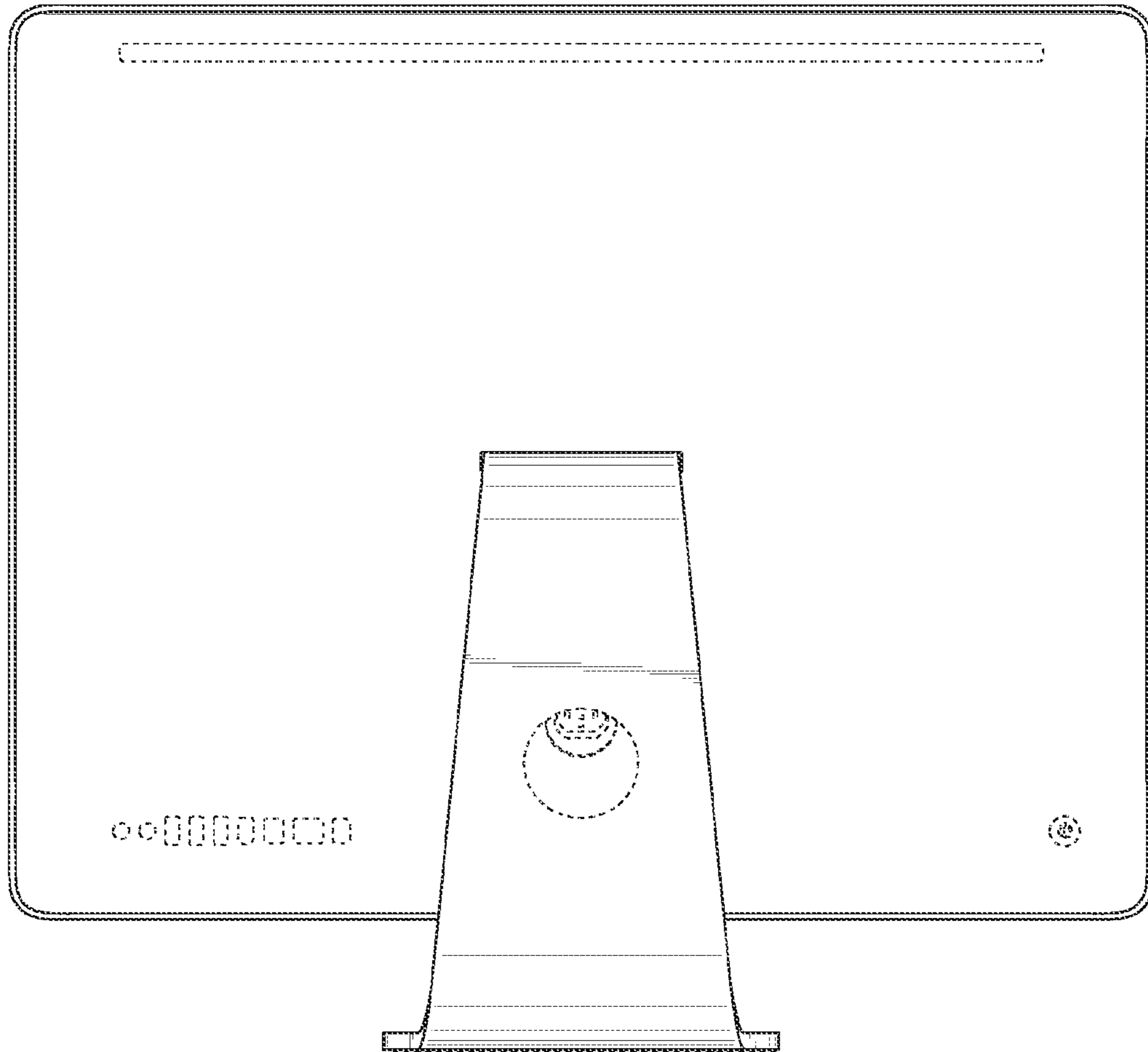
*Fig. 9*



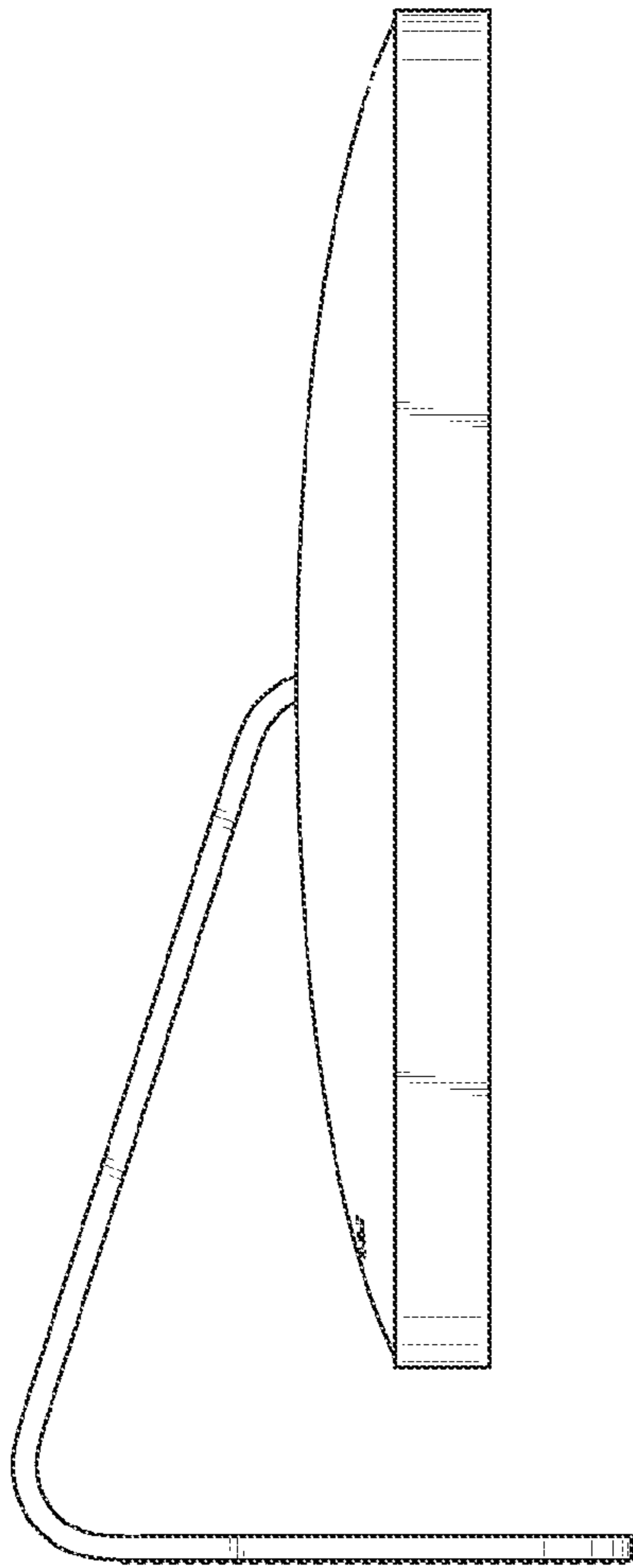
**Fig. 10**



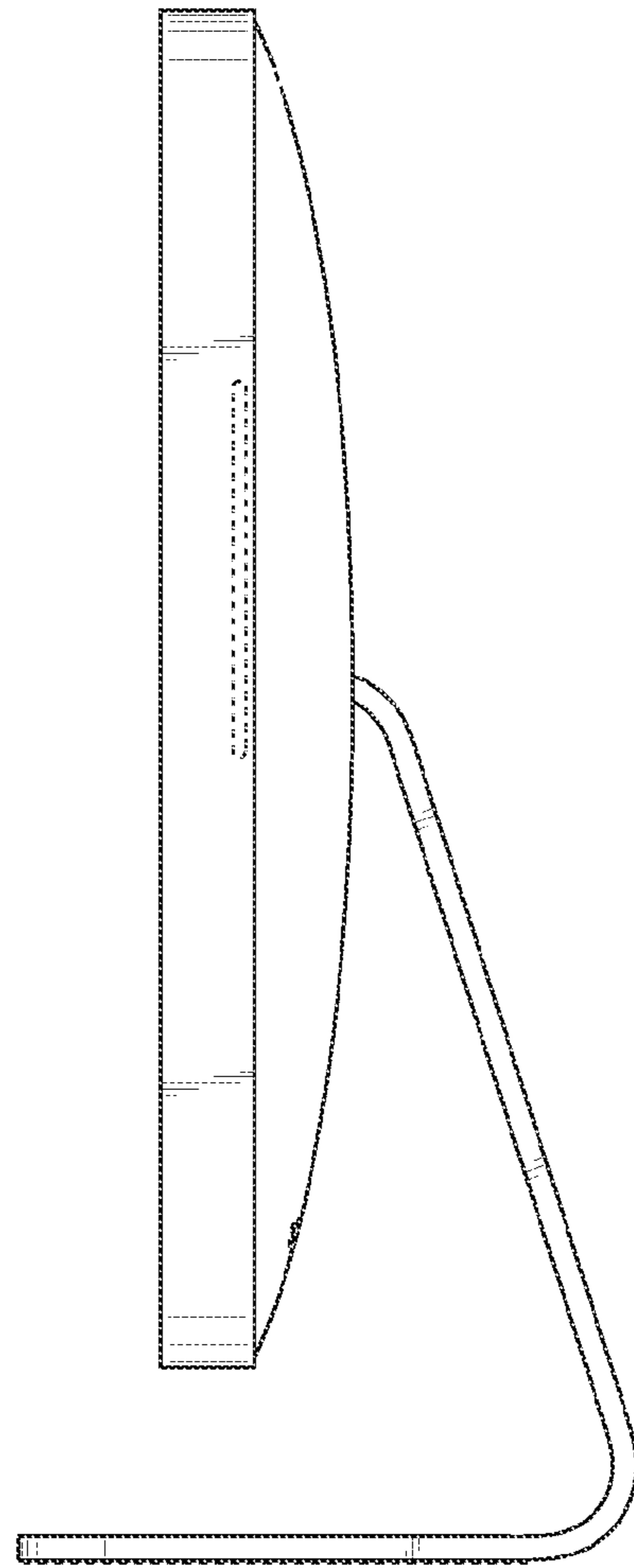
*Fig. 11*



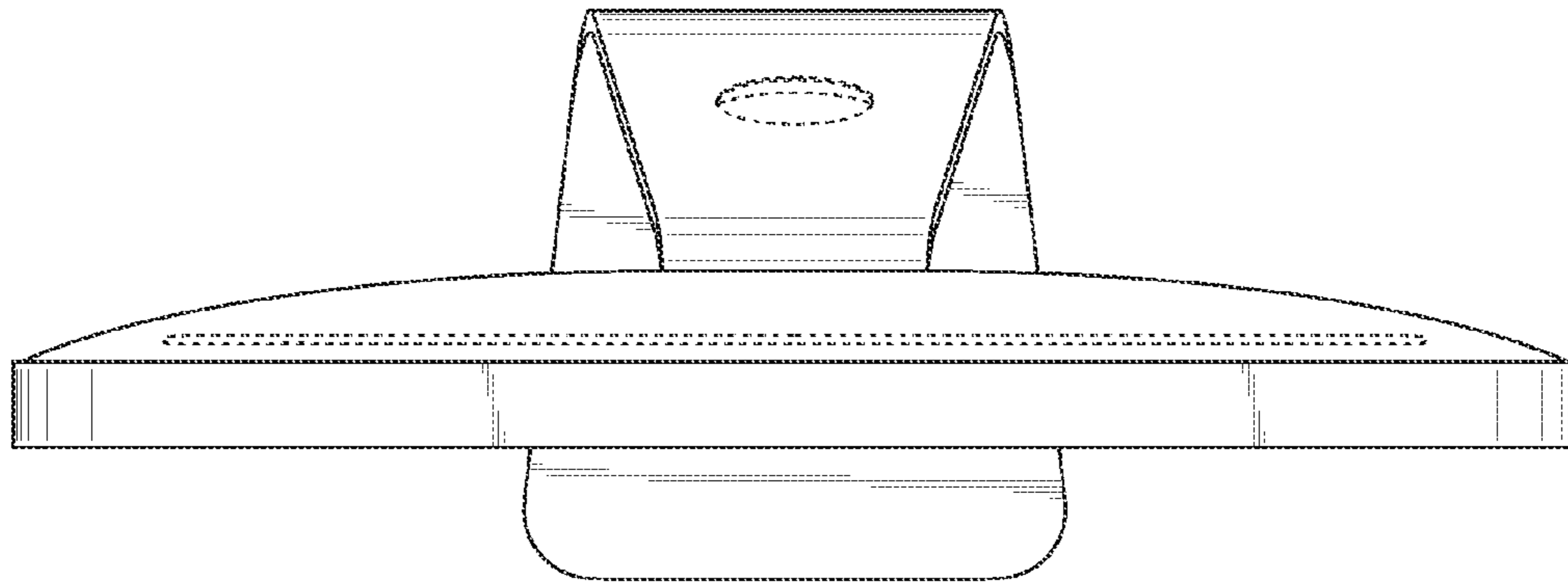
**Fig. 12**



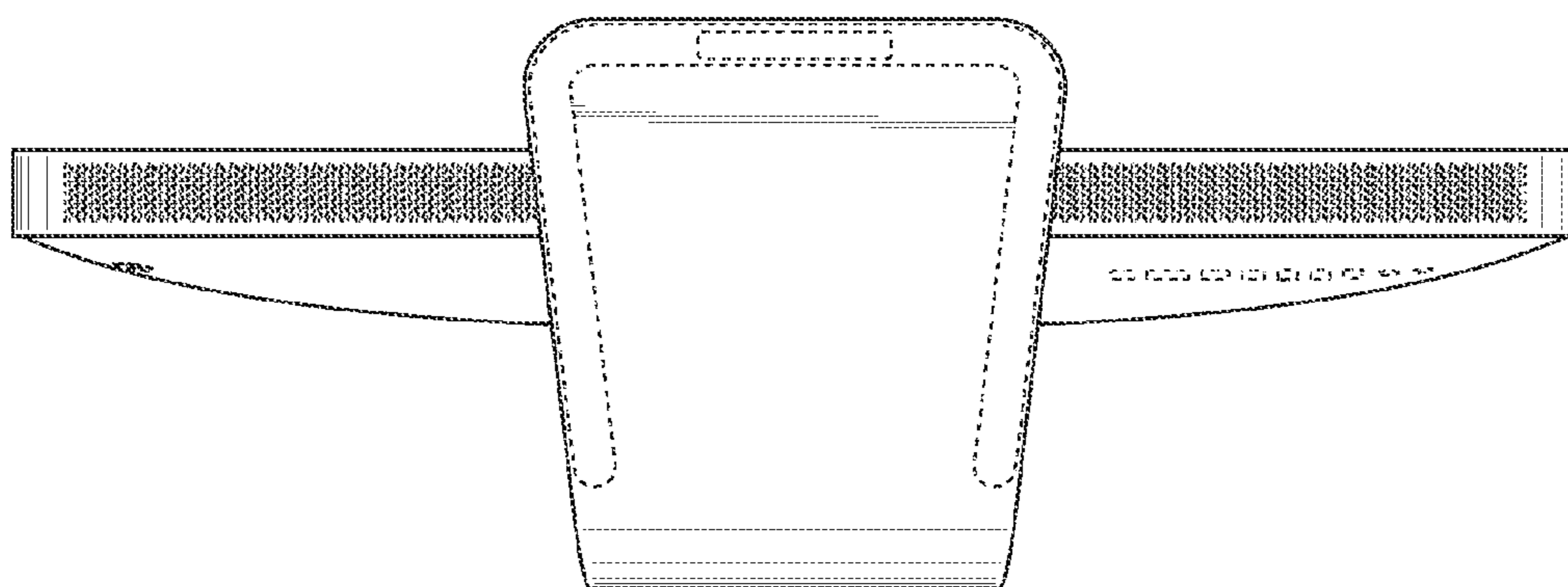
*Fig. 13*



*Fig. 14*

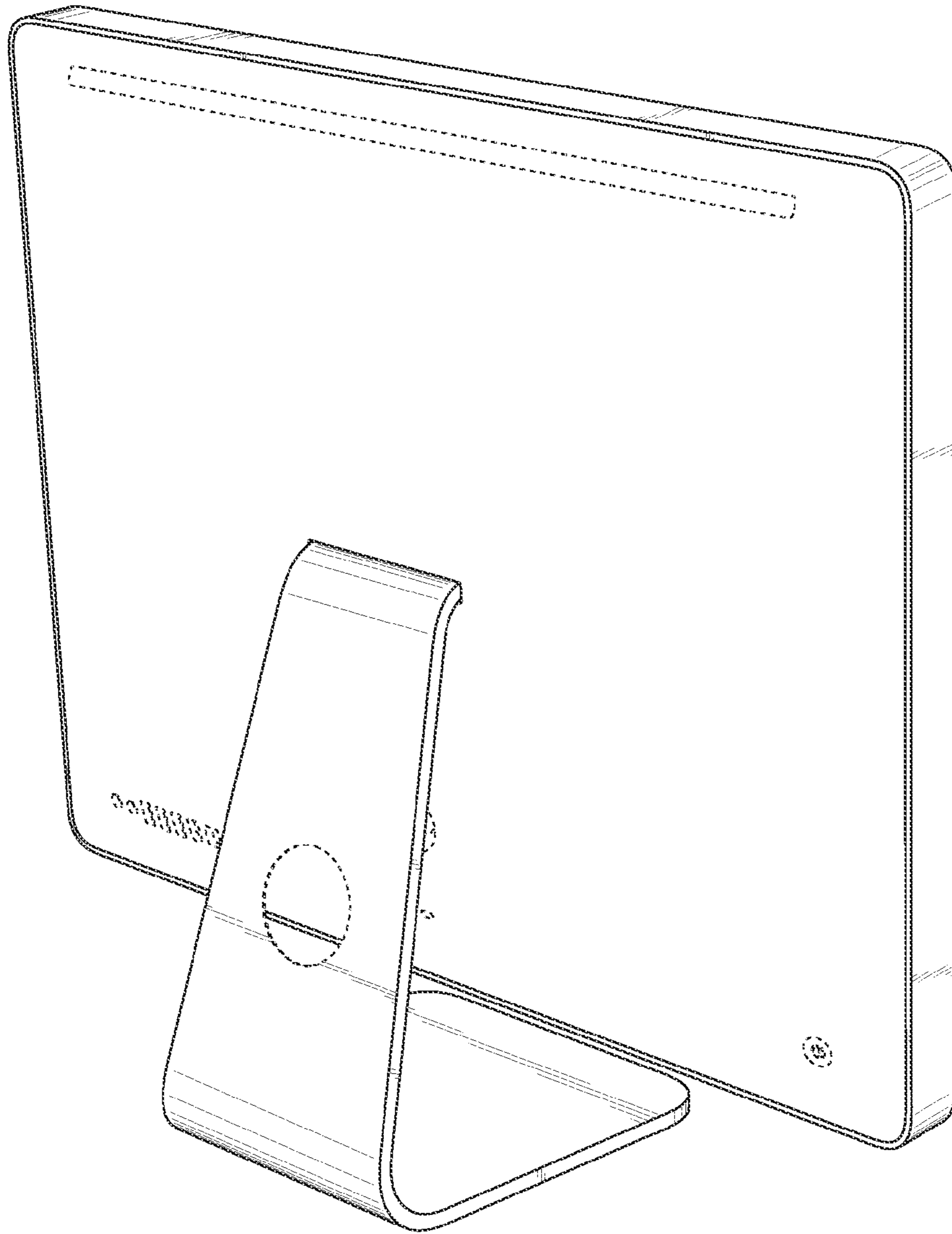


*Fig. 15*

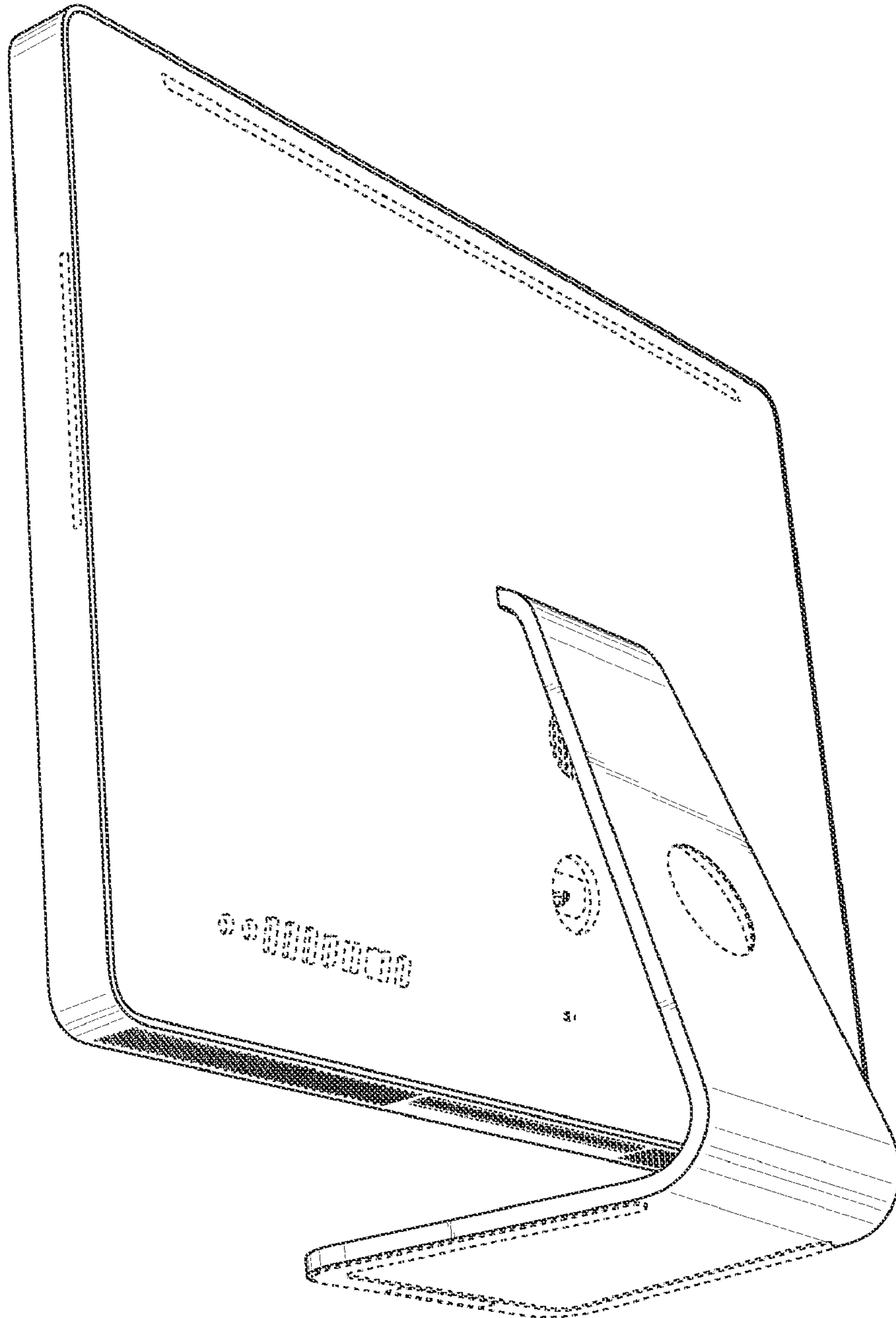


*Fig. 16*





*Fig. 17*



**Fig. 18**