



US00D610134S

(12) **United States Design Patent**
Götzen

(10) **Patent No.:** **US D610,134 S**

(45) **Date of Patent:** **** Feb. 16, 2010**

(54) **WIRELESS MODEM HOUSING**

(75) Inventor: **Mirko Manuel Götzen**, London (GB)

(73) Assignee: **Nokia Corporation**, Espoo (FI)

(**) Term: **14 Years**

(21) Appl. No.: **29/333,996**

(22) Filed: **Mar. 18, 2009**

(51) **LOC (9) Cl.** **14-03**

(52) **U.S. Cl.** **D14/242; D14/188; D14/240**

(58) **Field of Classification Search** D14/240,
D14/242, 140, 218, 358, 188; D13/168,
D13/184; 360/69; 379/220.01, 220.02, 25,
379/93.09, 93.15, 93.14, 156, 900; 455/550.1,
455/557

See application file for complete search history.

(56) **References Cited**

U.S. PATENT DOCUMENTS

D302,014 S *	7/1989	Ohzu	D14/188
D405,796 S *	2/1999	Uehara	D14/218
D450,313 S *	11/2001	Koinuma	D14/218
D460,443 S *	7/2002	Brunner et al.	D14/240
D535,650 S *	1/2007	Wong et al.	D14/240
D535,974 S *	1/2007	Alwicker et al.	D14/188

D536,692 S *	2/2007	Alwicker et al.	D14/188
D573,957 S *	7/2008	Ledbetter et al.	D13/168
D577,721 S *	9/2008	O'Neil	D14/358
D582,385 S	12/2008	Sanguinetti		
D584,646 S	1/2009	Sanguinetti		
D592,649 S *	5/2009	L'Henaff et al.	D14/240
7,599,709 B2 *	10/2009	Kim	455/550.1

* cited by examiner

Primary Examiner—Charles A Rademaker

(74) *Attorney, Agent, or Firm*—Banner & Witcoff, Ltd.

(57) **CLAIM**

The ornamental design for a wireless modem housing, as shown and described.

DESCRIPTION

FIG. 1 is a perspective front view of a wireless modem housing showing my new design;

FIG. 2 is a front view thereof;

FIG. 3 is a rear view thereof;

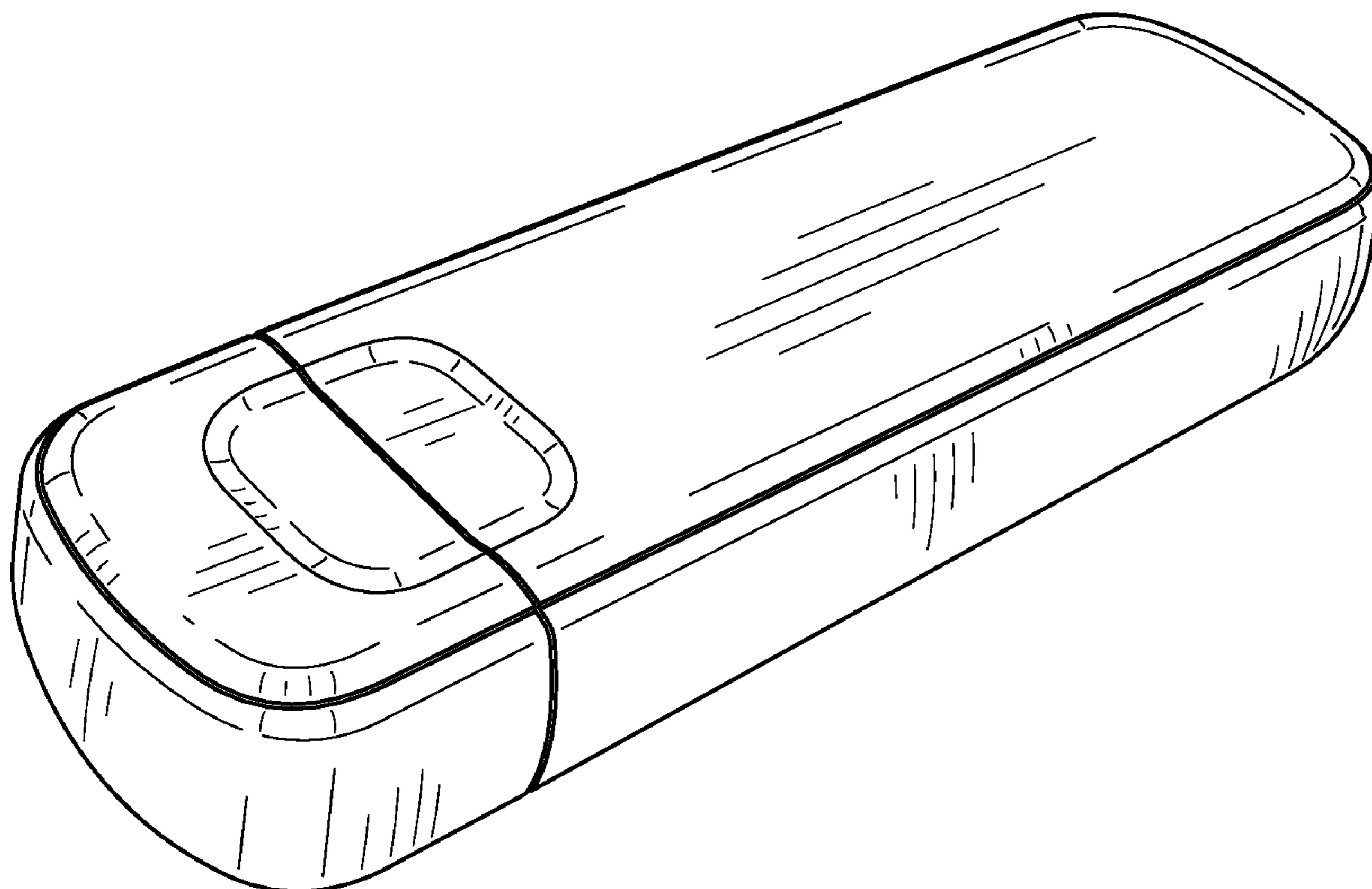
FIG. 4 is a right side view thereof;

FIG. 5 is a left side view thereof;

FIG. 6 is a top view thereof; and,

FIG. 7 is a bottom view thereof.

1 Claim, 4 Drawing Sheets



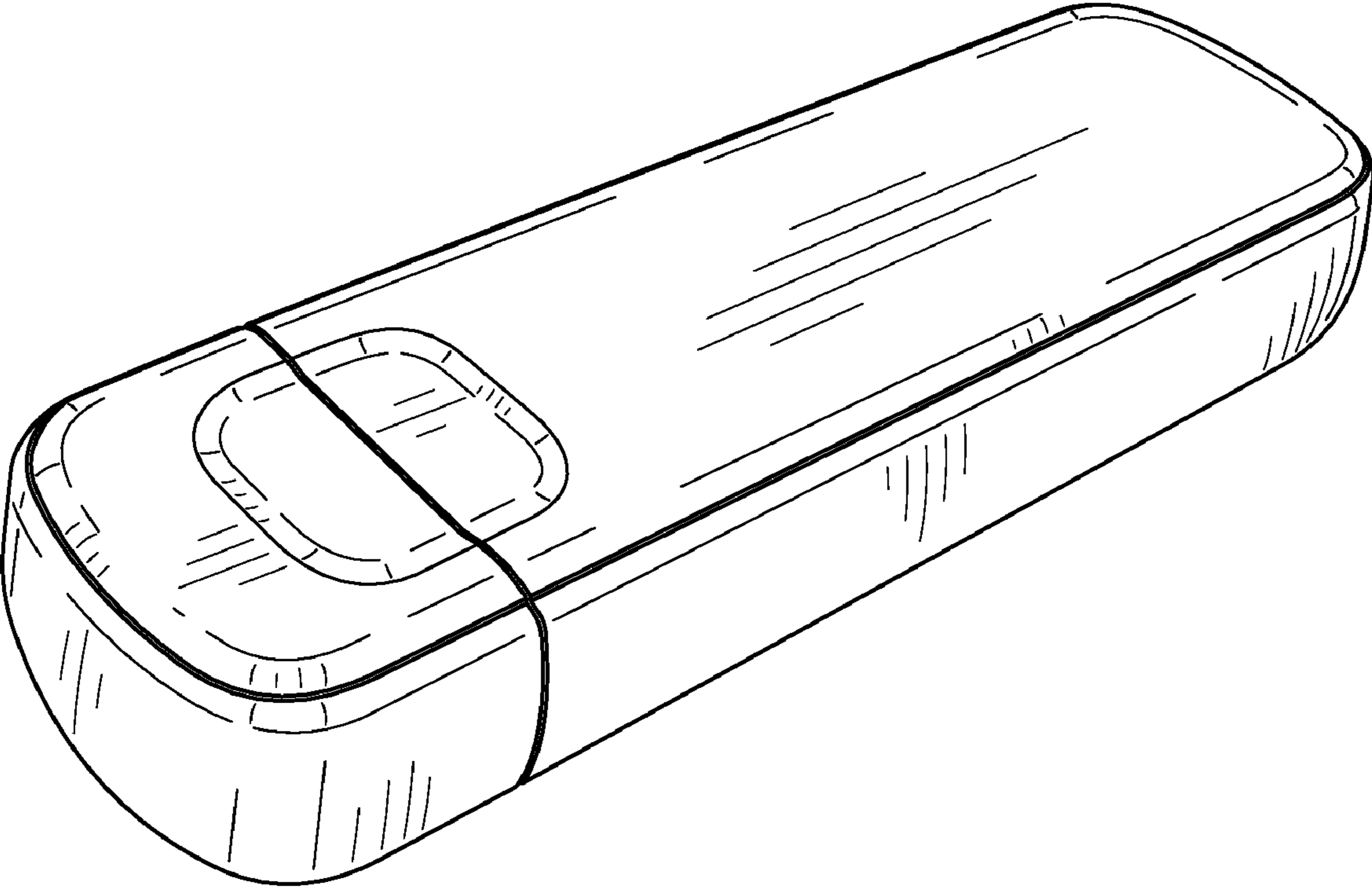


FIG. 1



FIG. 2



FIG. 3

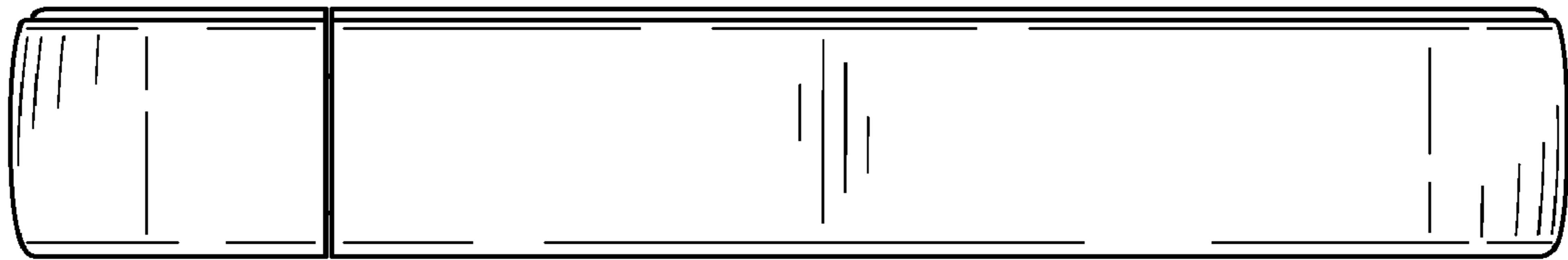


FIG. 4

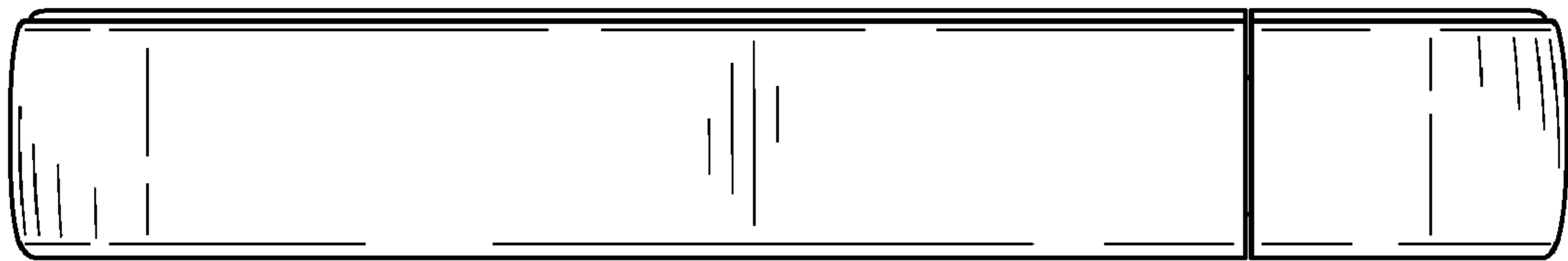


FIG. 5

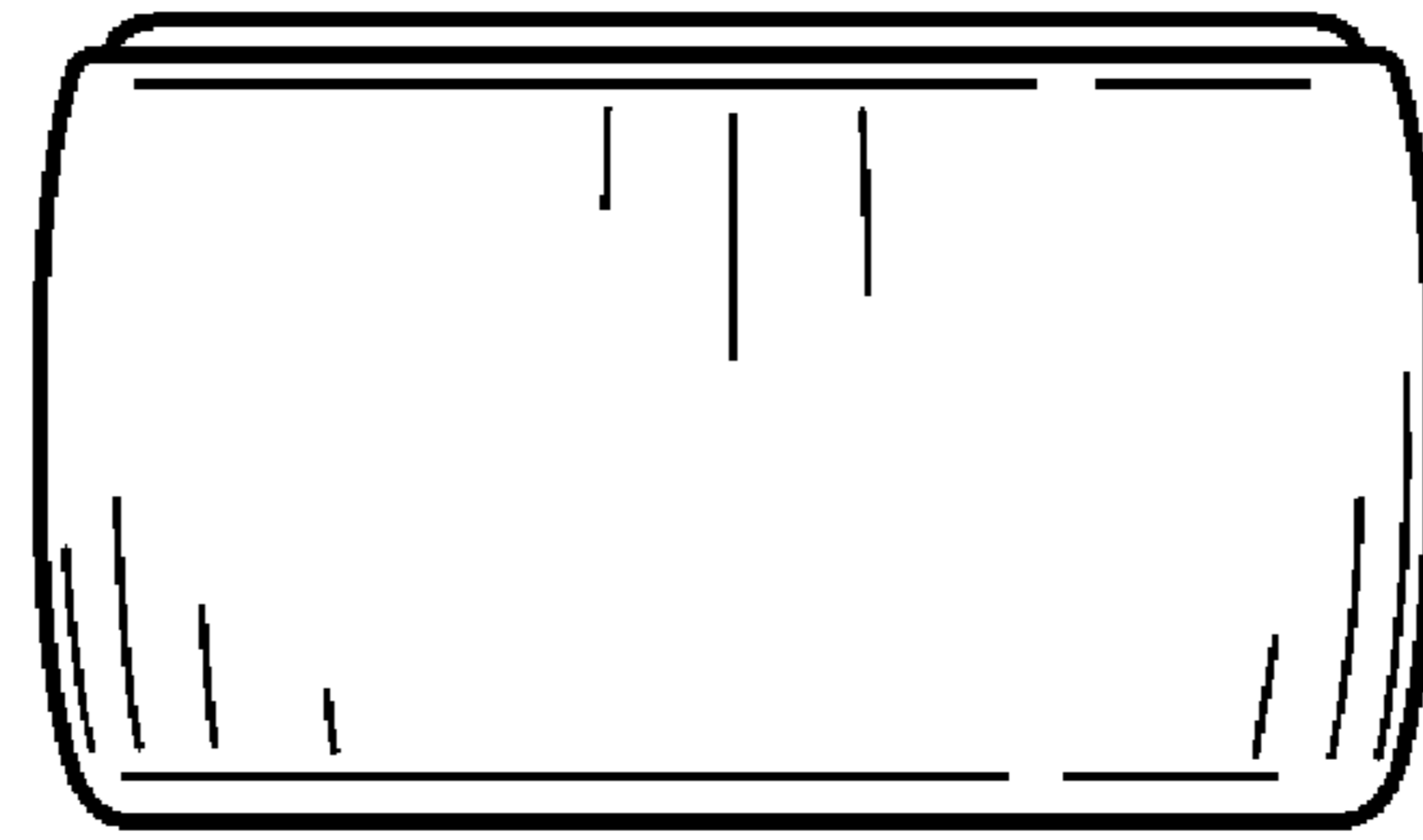


FIG. 6

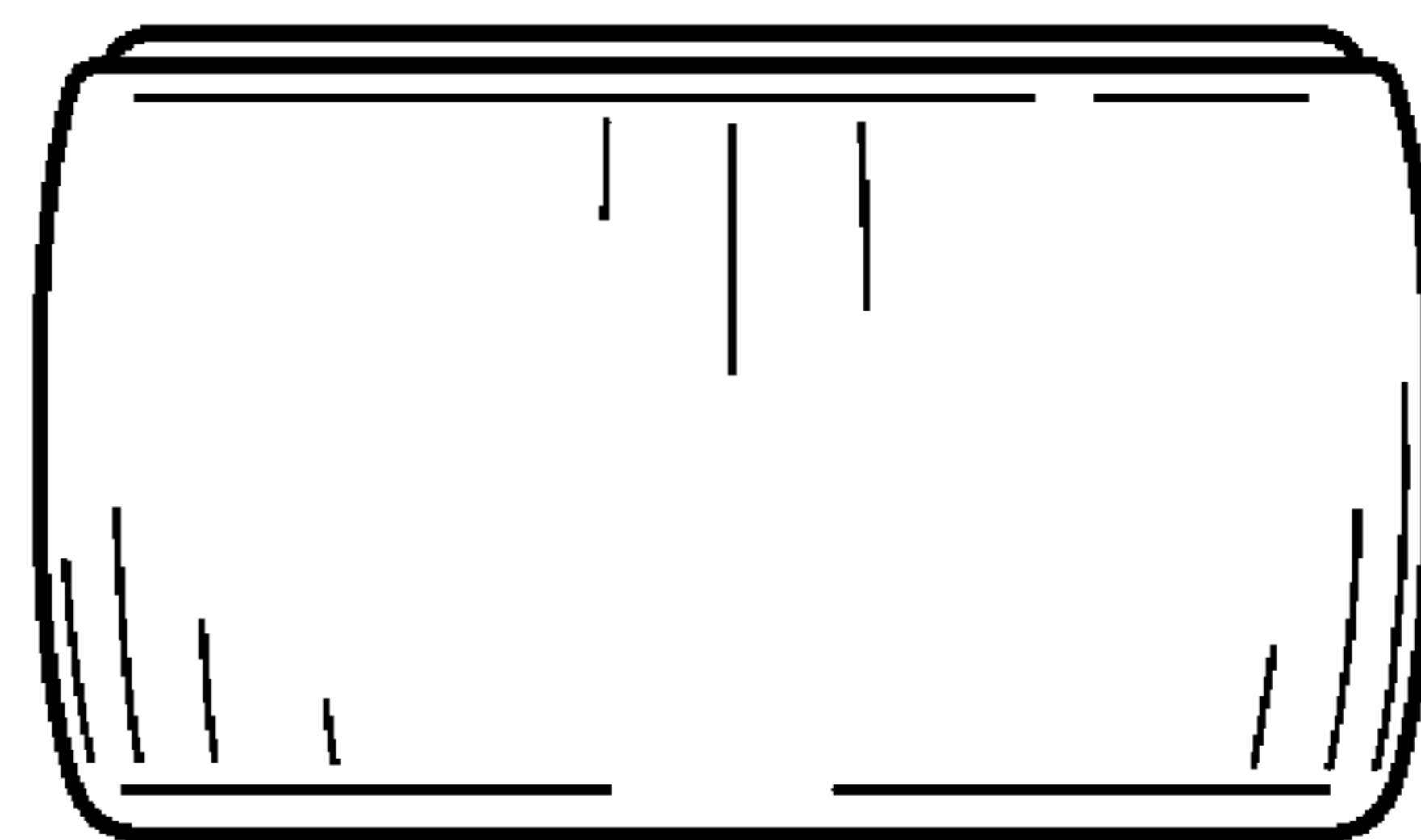


FIG. 7