

US00D610133S

(12) **United States Design Patent**
Asano

(10) **Patent No.:** **US D610,133 S**
(45) **Date of Patent:** **** Feb. 16, 2010**

(54) **WIRELESS ROUTER**

7,483,715 B2 * 1/2009 Kroll et al. 455/550.1
D586,339 S * 2/2009 Varsavsky
Waisman-Diamond D14/240

(75) Inventor: **Masahide Asano**, Nagoya (JP)

(73) Assignee: **Brother Industries, Ltd.**, Nagoya (JP)

(**) Term: **14 Years**

(21) Appl. No.: **29/332,613**

(22) Filed: **Feb. 20, 2009**

(30) **Foreign Application Priority Data**

Sep. 3, 2008 (JP) 2008-022711

(51) **LOC (9) Cl.** **14-03**

(52) **U.S. Cl.** **D14/240**

(58) **Field of Classification Search** D14/240,
D14/242, 140, 218, 358; D13/168, 184;
360/69; 379/220.01, 220.02, 25, 93.09, 93.15,
379/93.14, 156, 900; 455/550.1, 557
See application file for complete search history.

(56) **References Cited**

U.S. PATENT DOCUMENTS

D377,652 S * 1/1997 Sarkiniemi D14/240
D471,541 S * 3/2003 Tomino et al. D14/240
D471,543 S * 3/2003 Yang et al. D14/240
D484,497 S * 12/2003 Alviar et al. D14/240
D494,156 S * 8/2004 Chen et al. D14/240
D523,854 S * 6/2006 Rinna et al. D14/358
D529,903 S * 10/2006 McRae et al. D14/240
D556,190 S 11/2007 Liu et al.
D562,813 S * 2/2008 Storti et al. D14/240
D562,814 S * 2/2008 Liu et al. D14/240
D580,422 S * 11/2008 Lee D14/240

FOREIGN PATENT DOCUMENTS

JP S-D1057022 1/2000
JP S-D1061705 2/2000
JP S-D1144402 6/2002
JP S-D1183605 9/2003

* cited by examiner

Primary Examiner—Charles A Rademaker

(74) *Attorney, Agent, or Firm*—Oliff & Berridge, PLC

(57) **CLAIM**

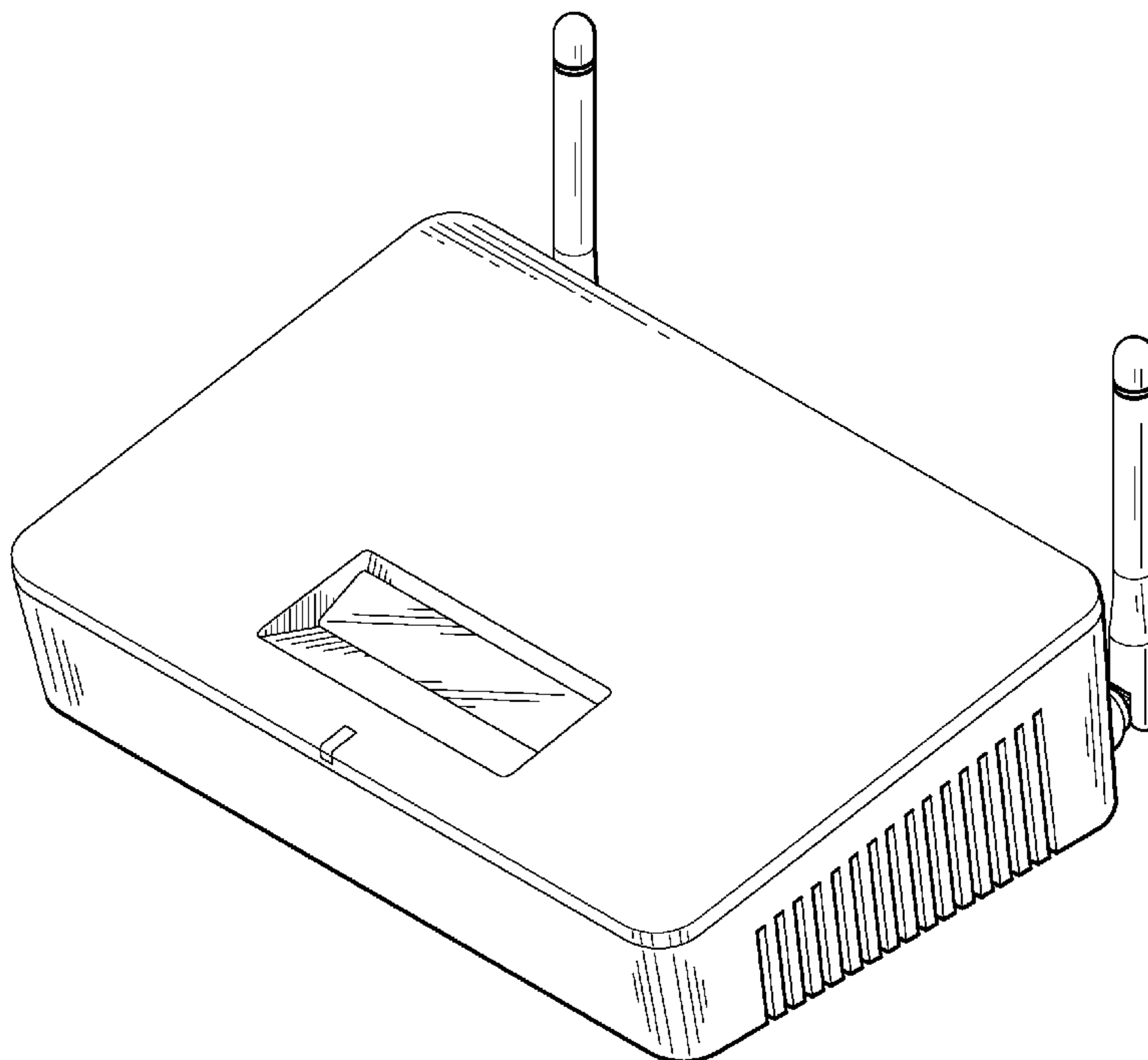
The ornamental design for a wireless router, as shown and described.

DESCRIPTION

FIG. 1 is a perspective view of a wireless router;
FIG. 2 is a front view thereof;
FIG. 3 is a top view thereof;
FIG. 4 is a right-side view thereof;
FIG. 5 is a left-side view thereof;
FIG. 6 is a rear view thereof;
FIG. 7 is a bottom view thereof; and,
FIG. 8 is a cross-sectional view thereof taken along the line 8—8 of FIG. 2.

The broken lines depict environmental subject matter only and form no part of the claimed design.

1 Claim, 5 Drawing Sheets



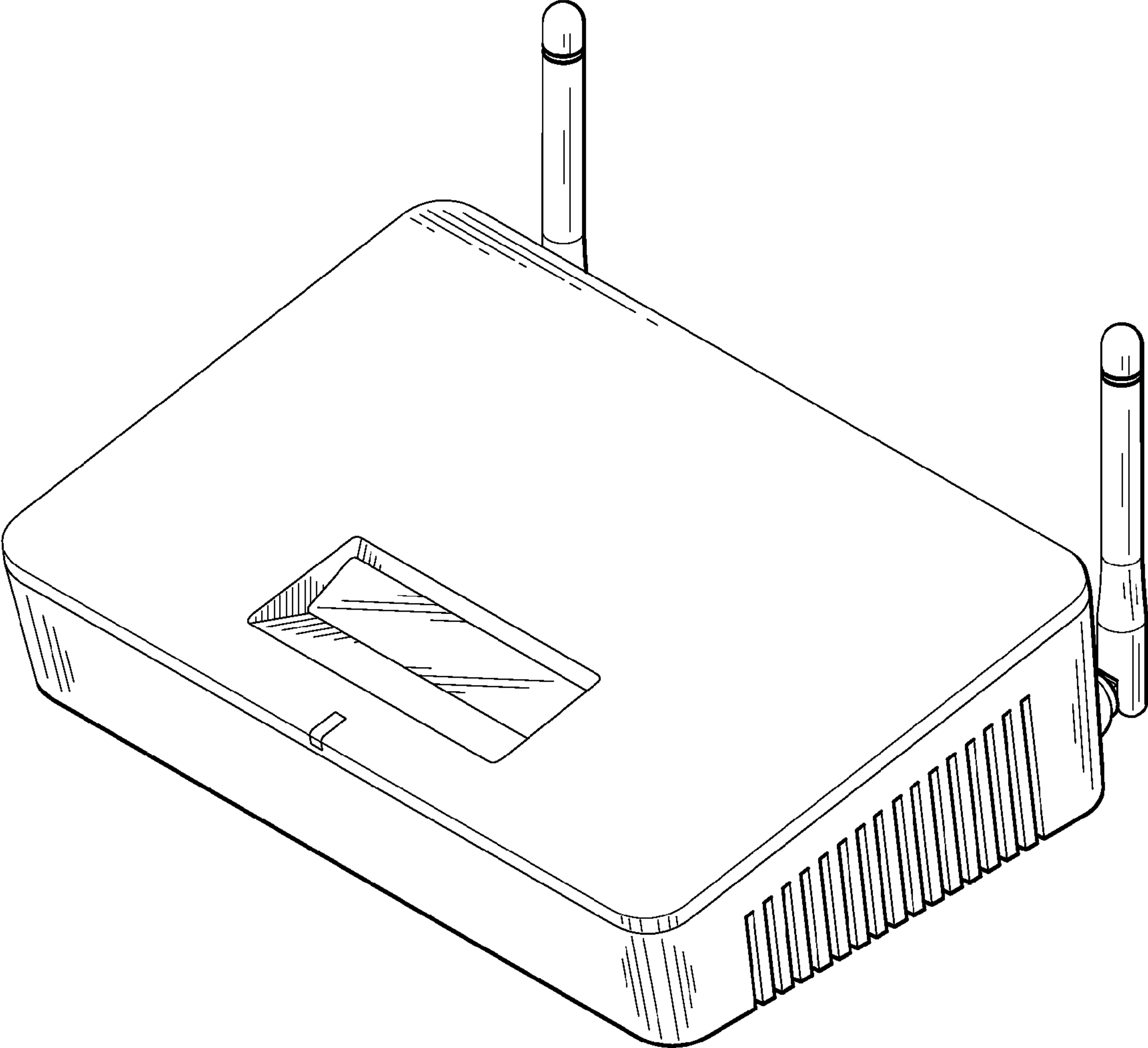


FIG. 1

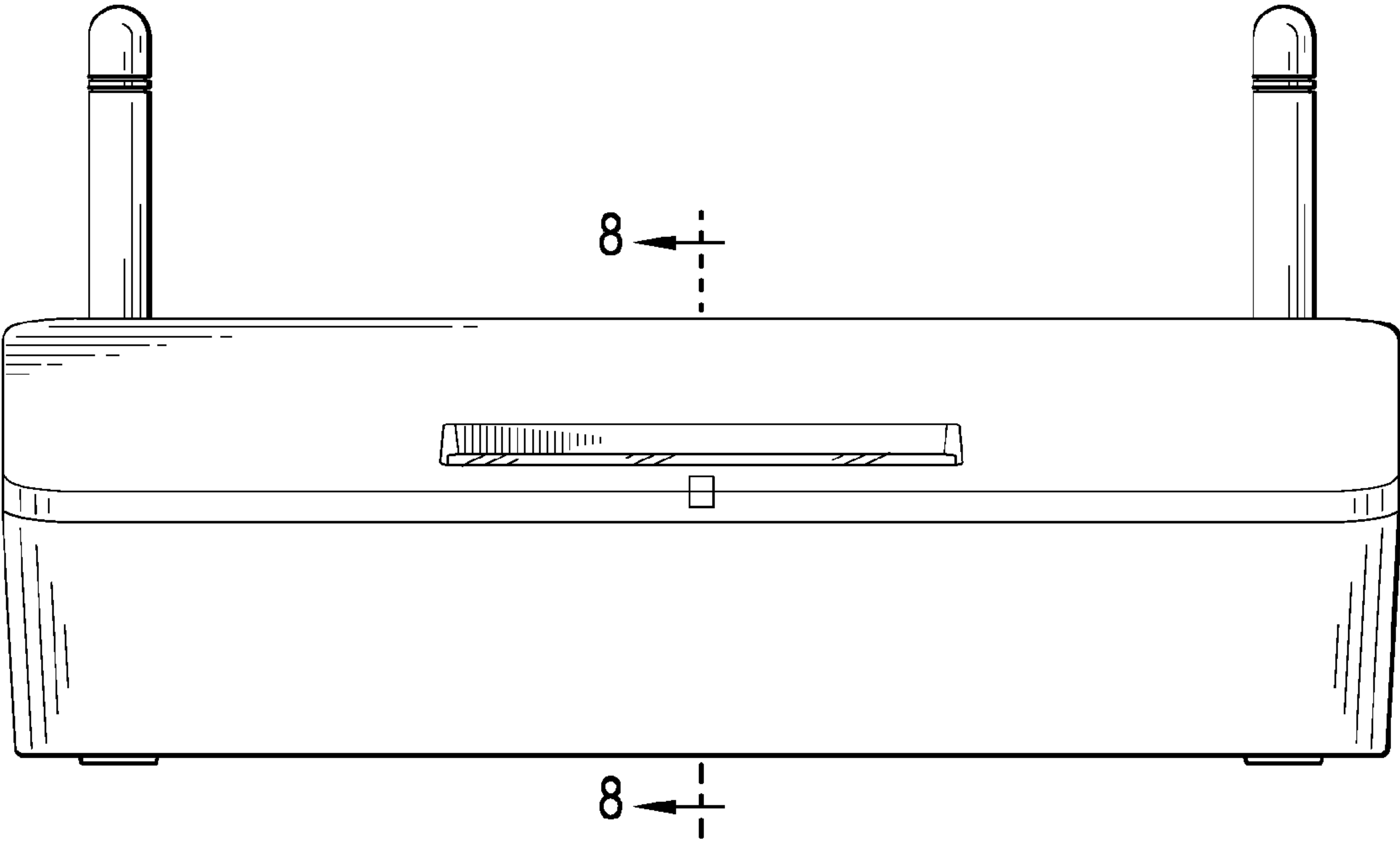


FIG. 2

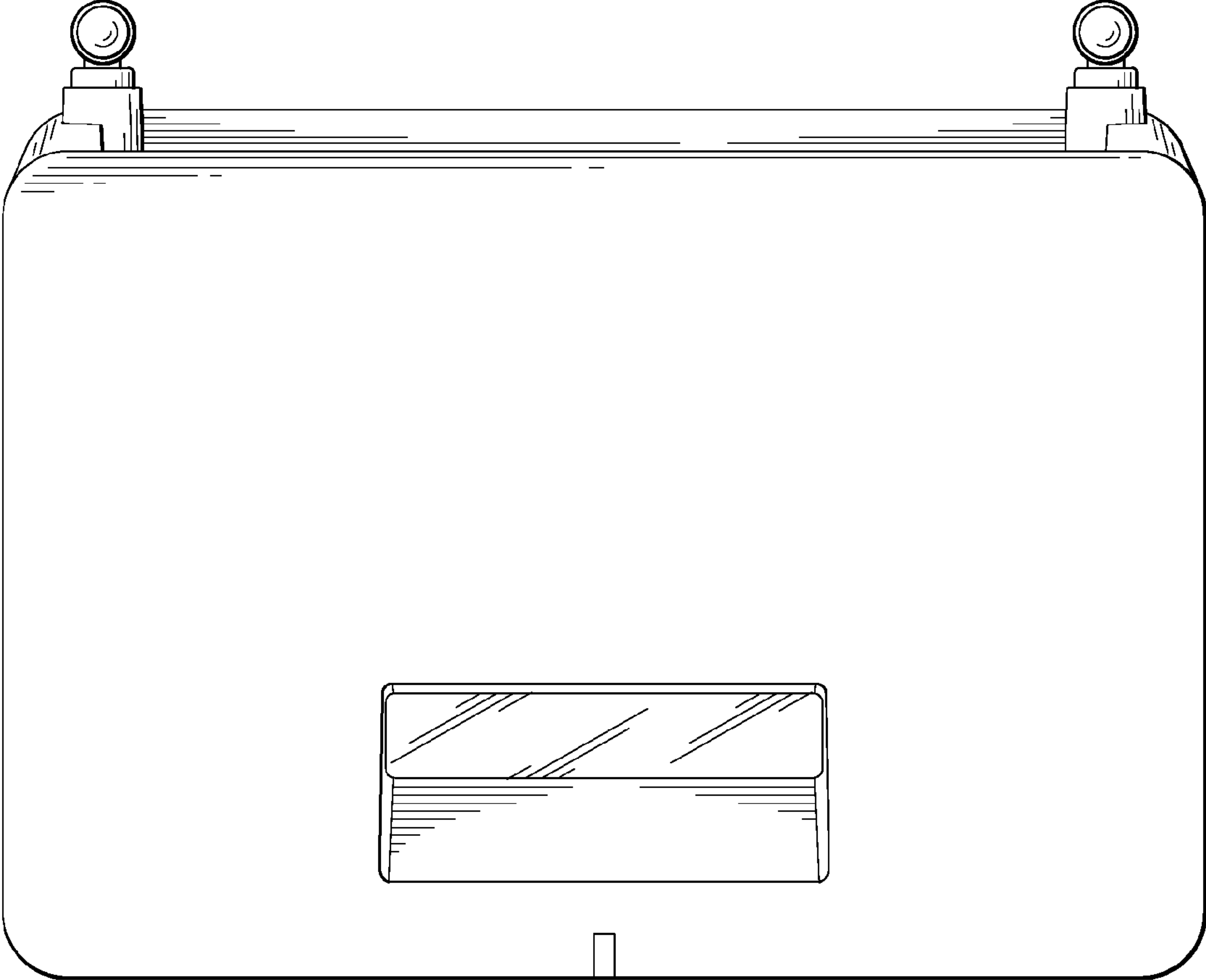


FIG. 3

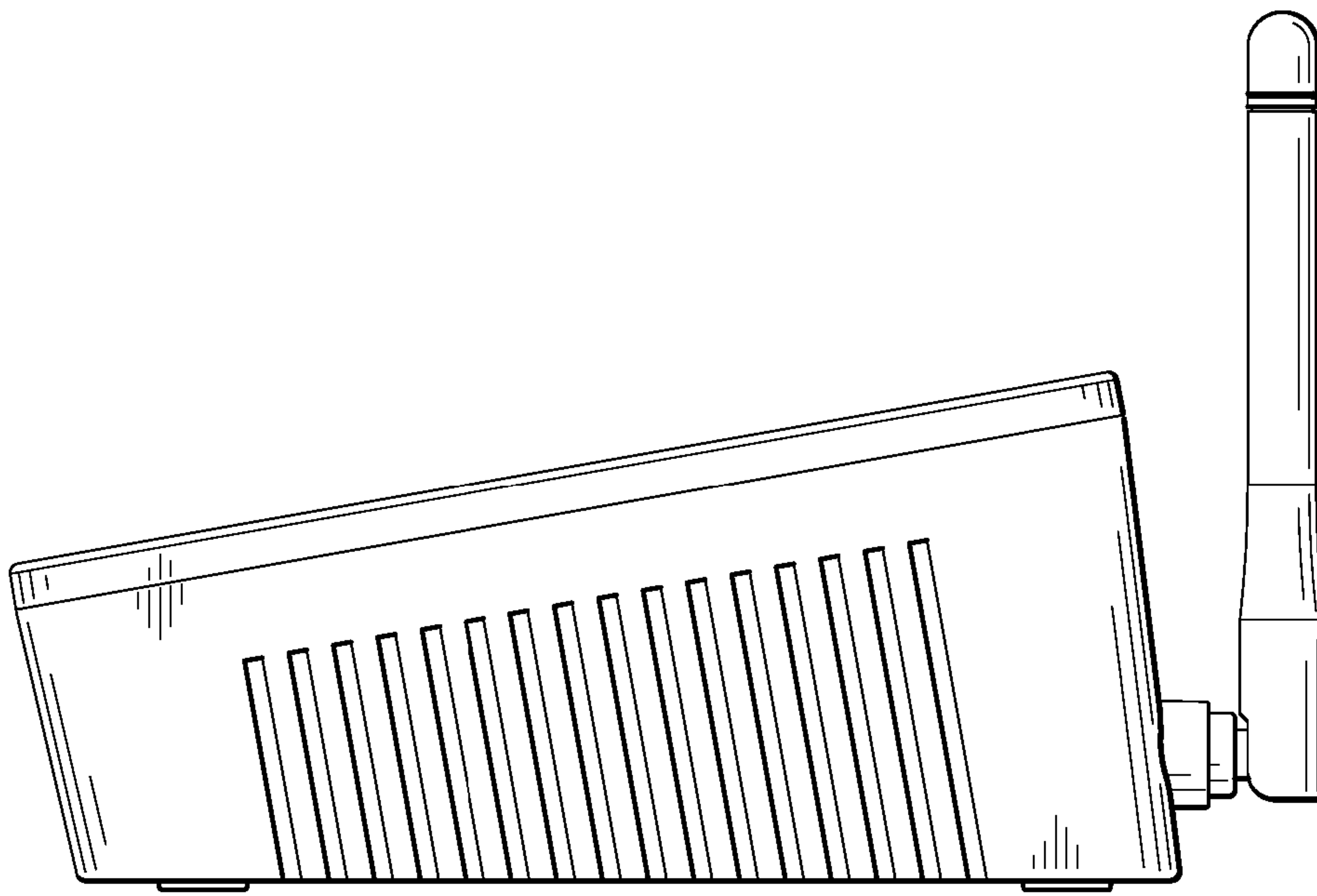


FIG. 4

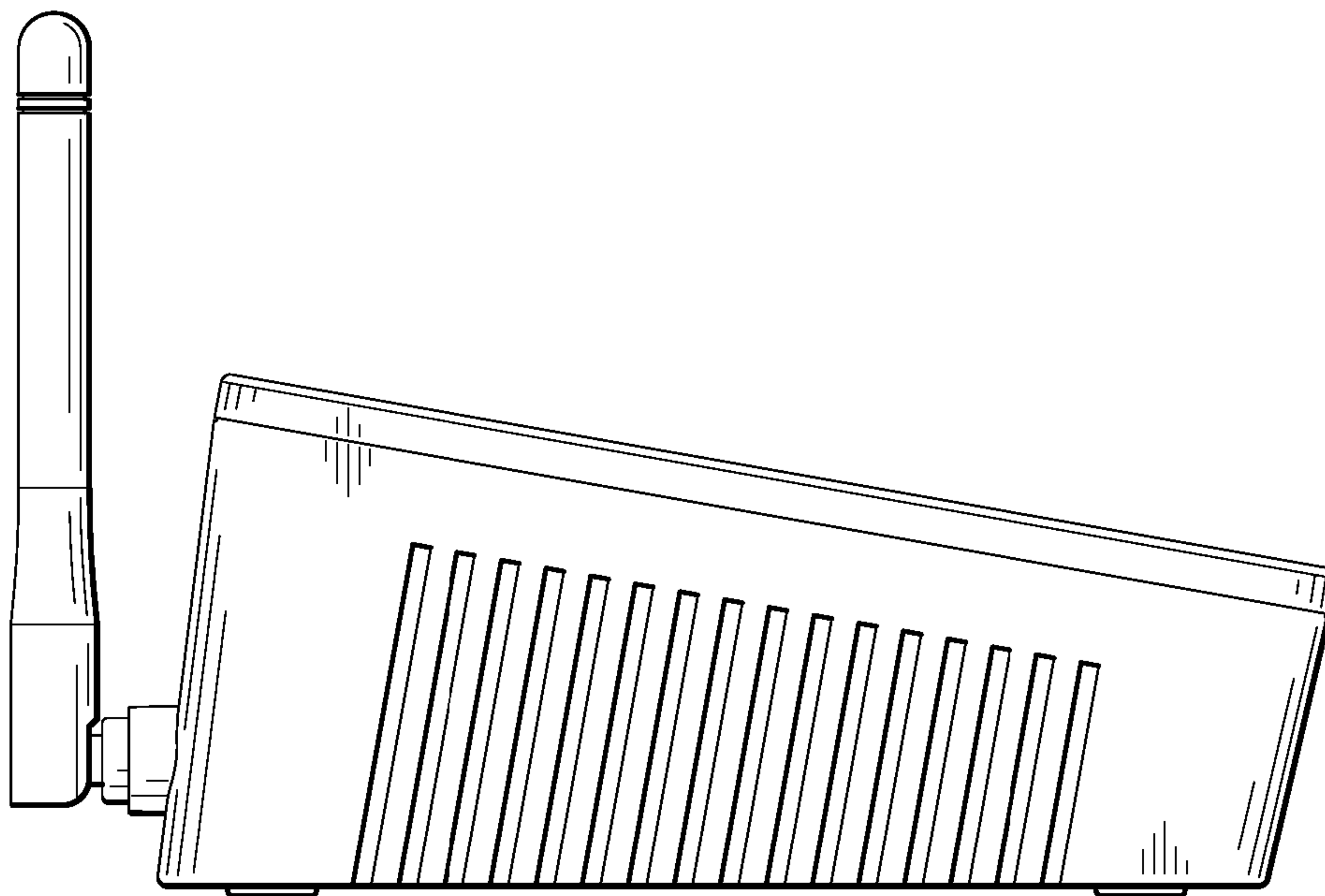


FIG. 5

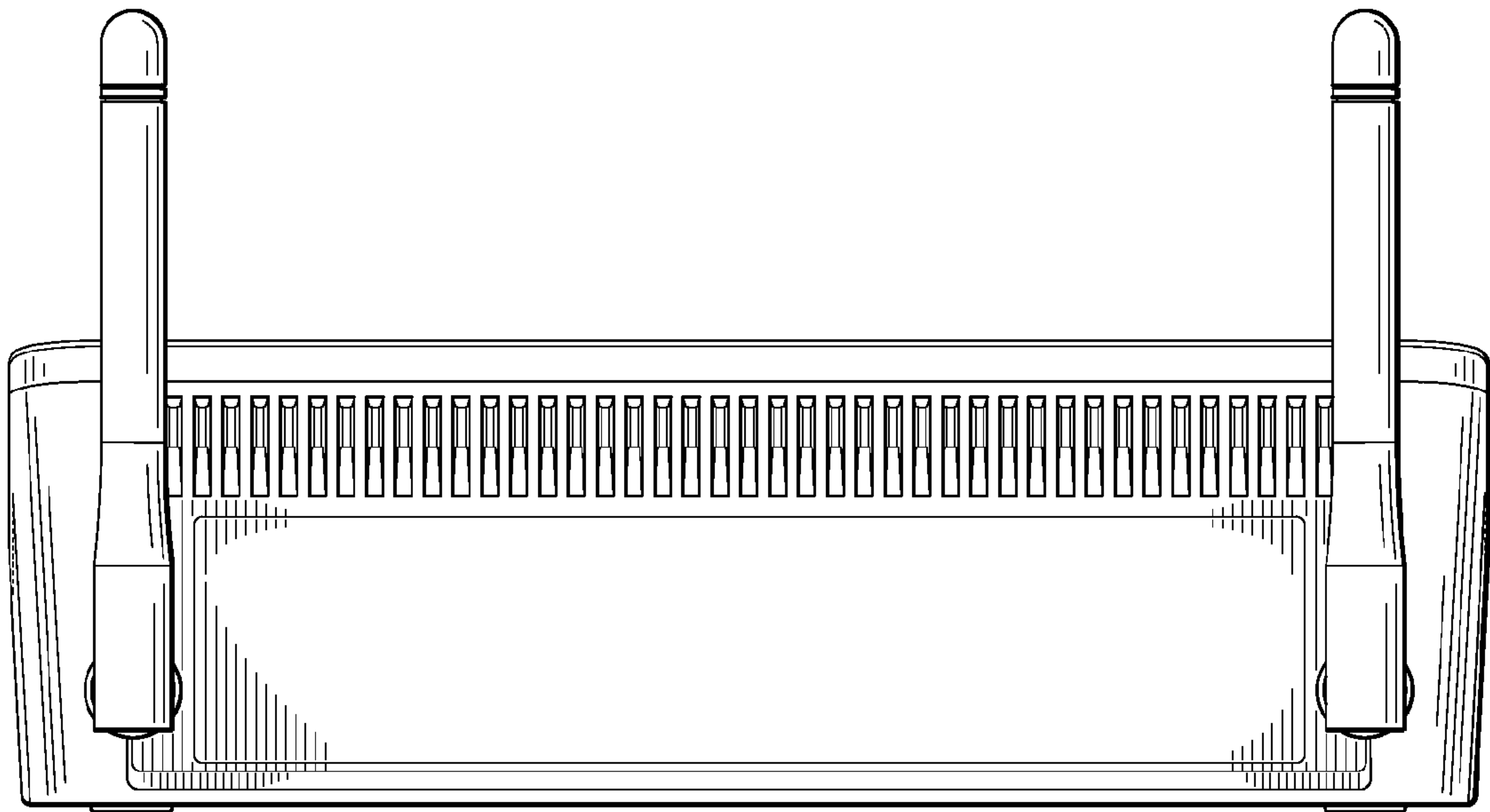


FIG. 6

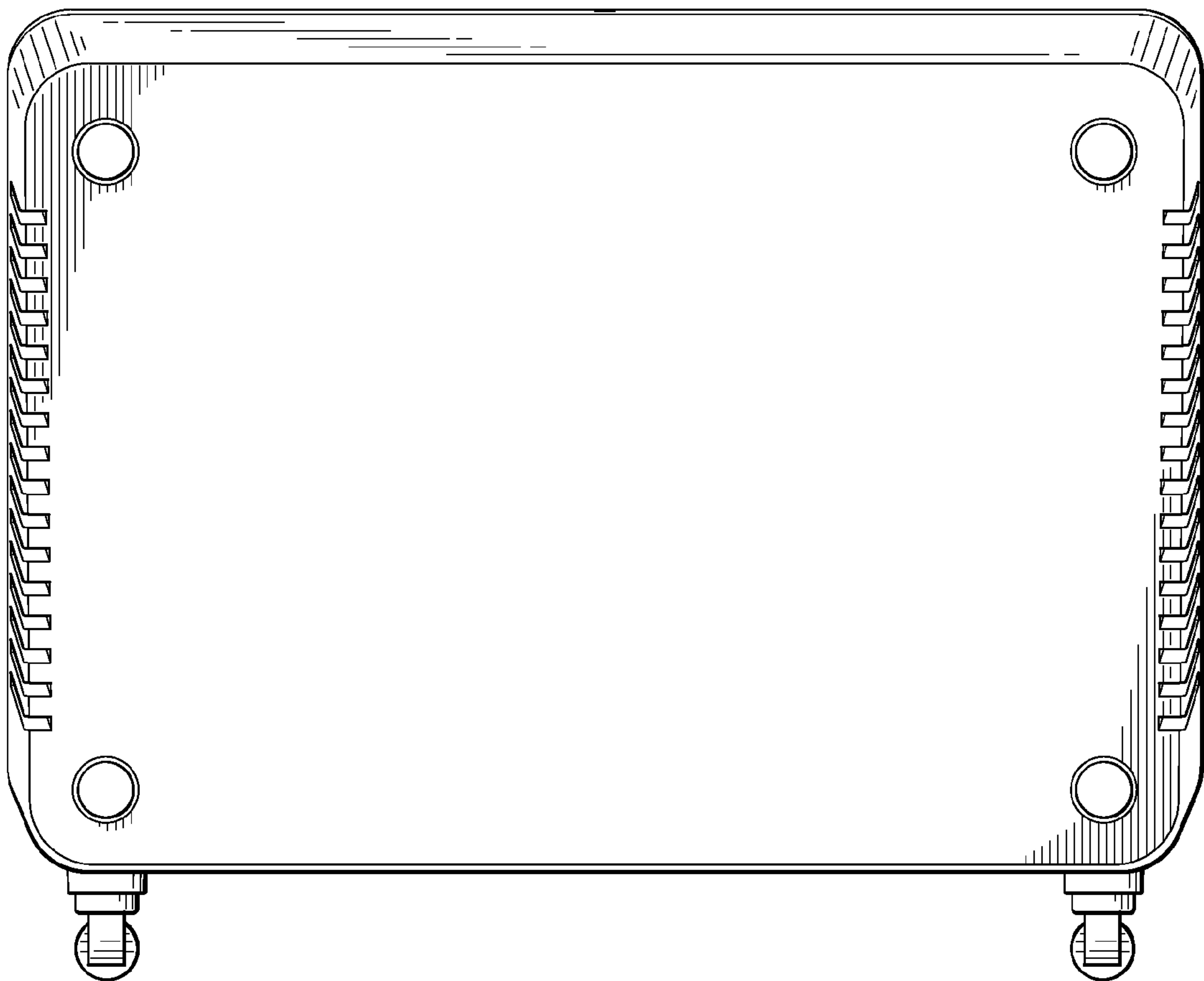


FIG. 7

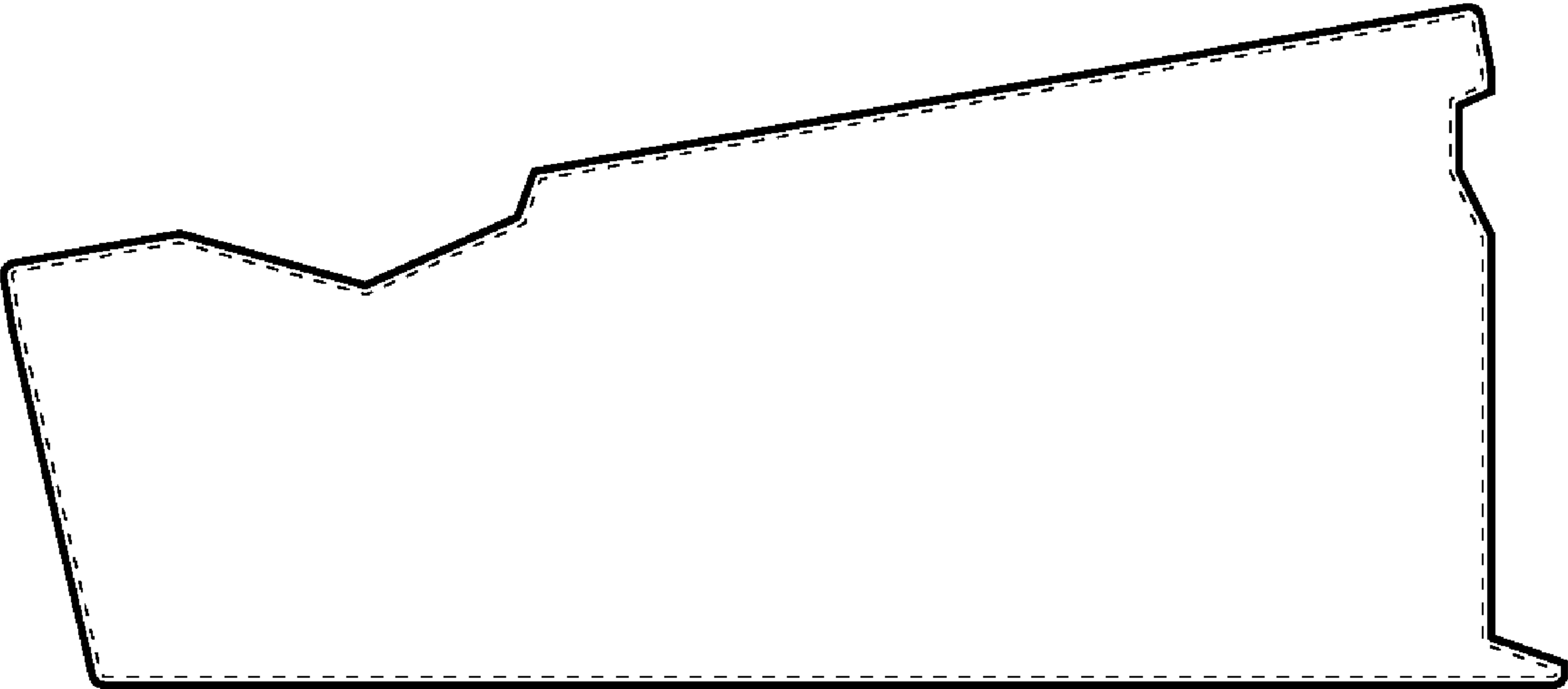


FIG. 8