



US00D610132S

(12) **United States Design Patent**  
**Kishler et al.**

(10) **Patent No.:** **US D610,132 S**  
(45) **Date of Patent:** **\*\* Feb. 16, 2010**

(54) **ANTENNA STRUCTURE**

(75) Inventors: **Mark W. Kishler**, Rockledge, FL (US);  
**Kyle D. Brink**, Rockledge, FL (US)

(73) Assignee: **SkyCross, Inc.**, Viera, FL (US)

(\*\*) Term: **14 Years**

(21) Appl. No.: **29/331,169**

(22) Filed: **Jan. 21, 2009**

(51) **LOC (9) Cl.** ..... **14-03**

(52) **U.S. Cl.** ..... **D14/230**

(58) **Field of Classification Search** ..... D14/138,  
D14/230-238, 299, 358; D12/42, 43; 343/700 MS,  
343/700 R-705, 711-713, 741, 748, 767,  
343/795, 819, 840, 846, 866, 871-908; 455/90.2,  
455/90.3, 91, 128, 269, 344, 347, 562.1  
See application file for complete search history.

(56) **References Cited**

**U.S. PATENT DOCUMENTS**

D573,590	S	*	7/2008	Montgomery	.....	D14/230
D581,400	S	*	11/2008	Montgomery	.....	D14/230
2005/0062655	A1	*	3/2005	Suganthan et al.	.....	343/702
2008/0030411	A1	*	2/2008	Wen et al.	.....	343/702
2008/0158067	A1	*	7/2008	Mei	.....	343/700 MS
2008/0252538	A1	*	10/2008	Ying	.....	343/767

2008/0266180	A1	*	10/2008	Wu	.....	343/700 MS
2008/0266189	A1	*	10/2008	Wu	.....	343/702
2008/0316112	A1	*	12/2008	Zhang	.....	343/700 MS
2009/0002248	A1	*	1/2009	Zhao et al.	.....	343/722
2009/0051614	A1	*	2/2009	Wong et al.	.....	343/803
2009/0115679	A1	*	5/2009	Chou et al.	.....	343/795

\* cited by examiner

*Primary Examiner*—T. Chase Nelson

*Assistant Examiner*—John Windmuller

(74) *Attorney, Agent, or Firm*—Rajesh Vallabh; Foley Hoag LLP

(57) **CLAIM**

The ornamental design for an antenna structure, as shown and described.

**DESCRIPTION**

FIG. 1 is a perspective view of an antenna structure showing our new design;

FIG. 2 is a rear elevation view thereof;

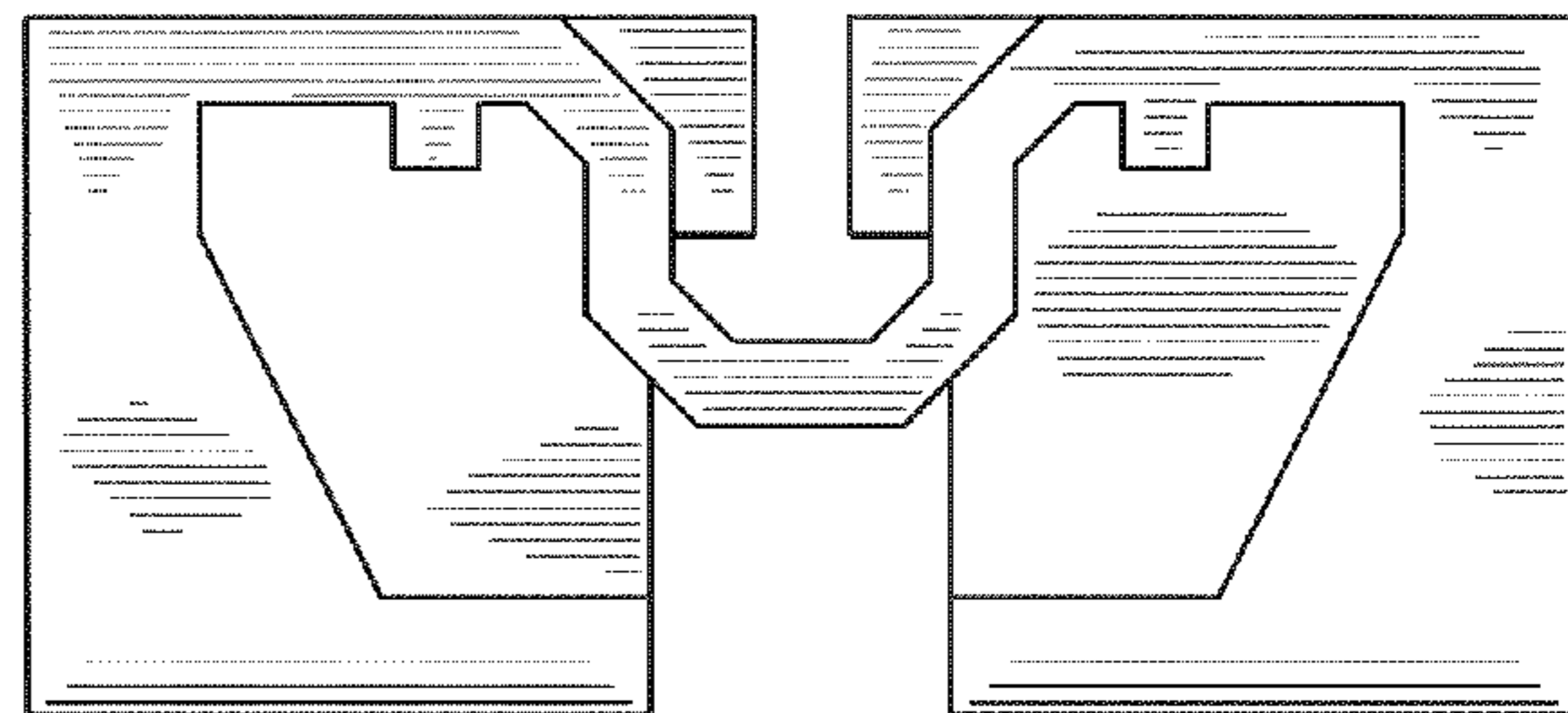
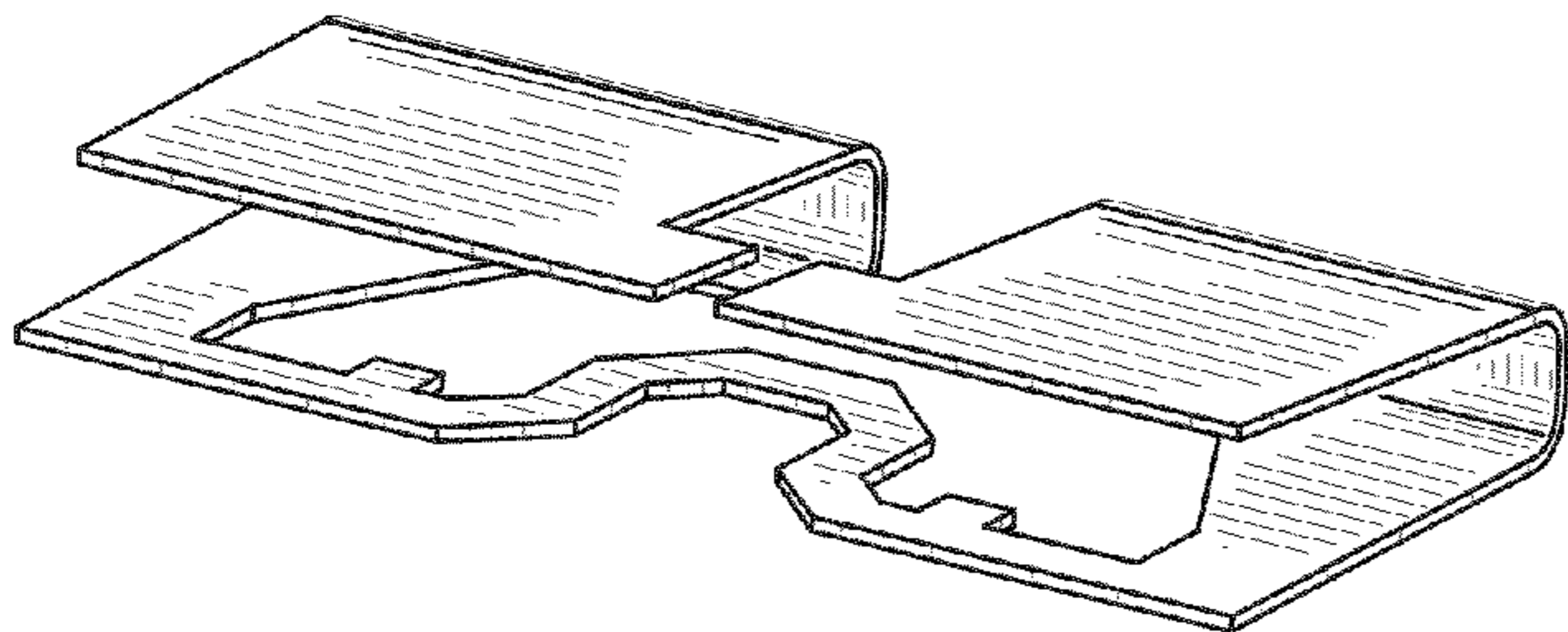
FIG. 3 is a top plan view thereof;

FIG. 4 is a right side elevation view thereof, the left side elevation view being a mirror image thereof;

FIG. 5 is a front elevation view thereof; and,

FIG. 6 is a bottom plan view thereof.

**1 Claim, 2 Drawing Sheets**



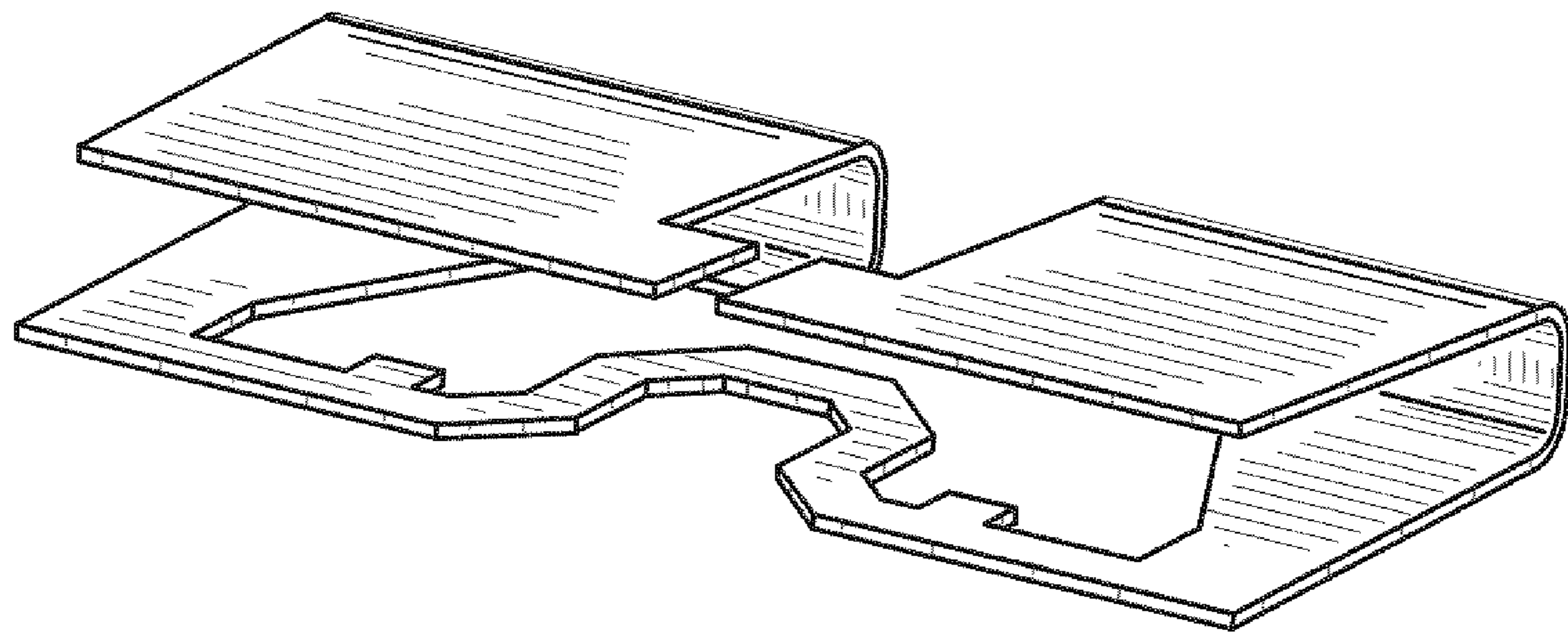


FIG. 1

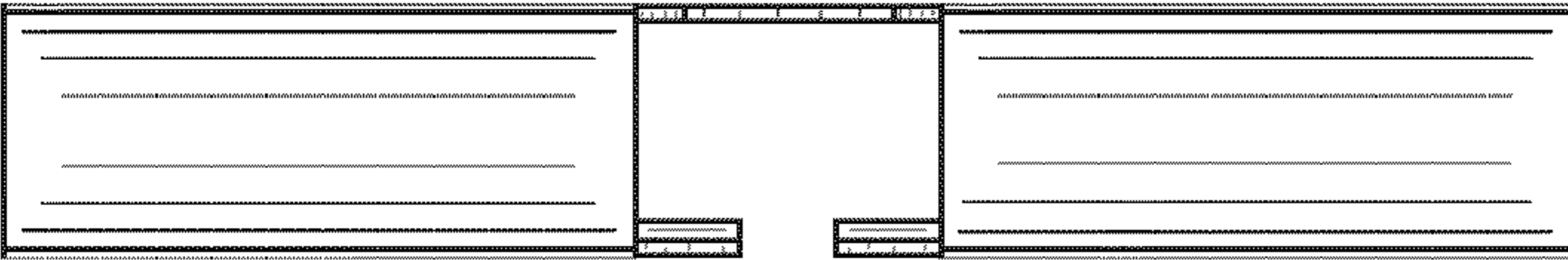


FIG. 2

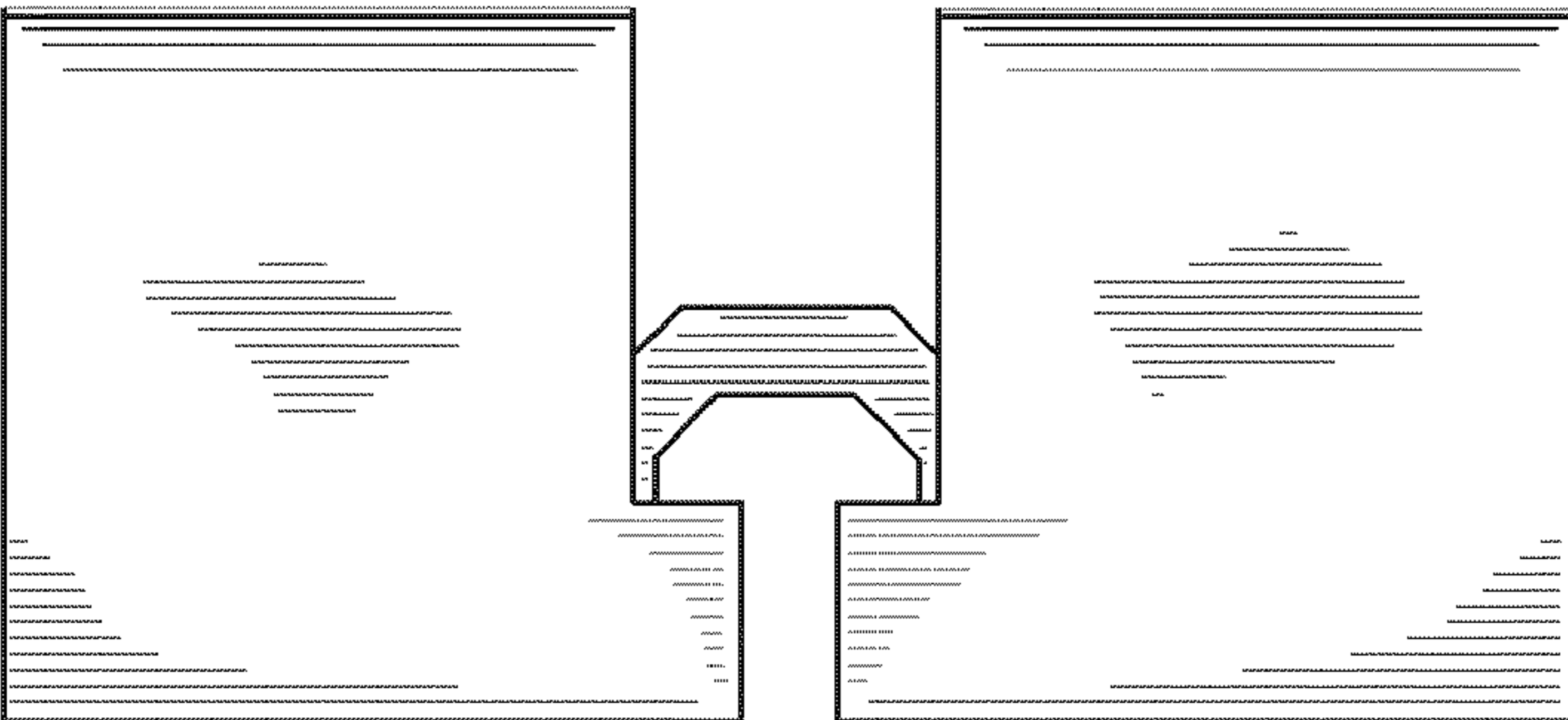


FIG. 3

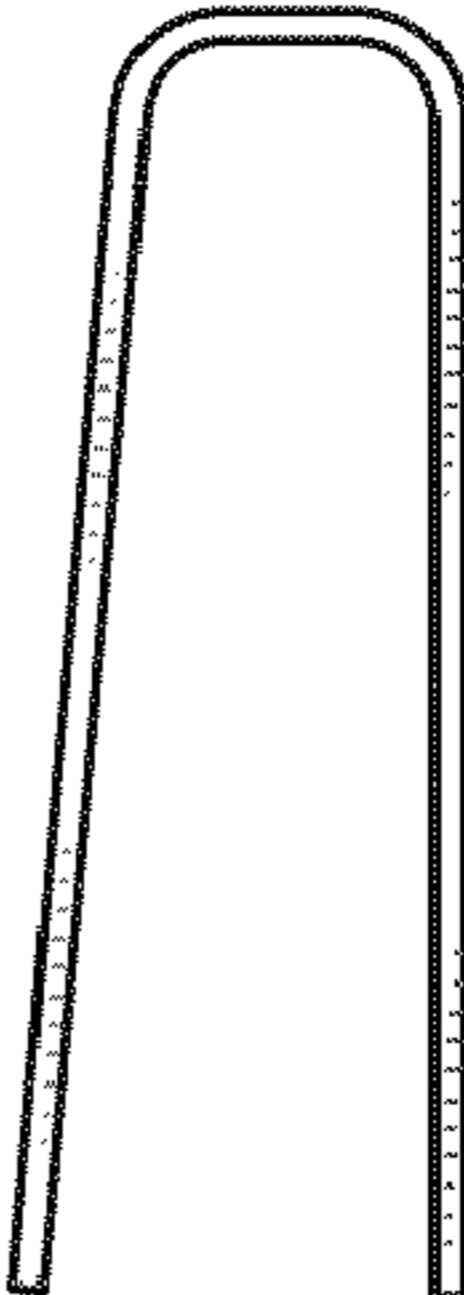


FIG. 4

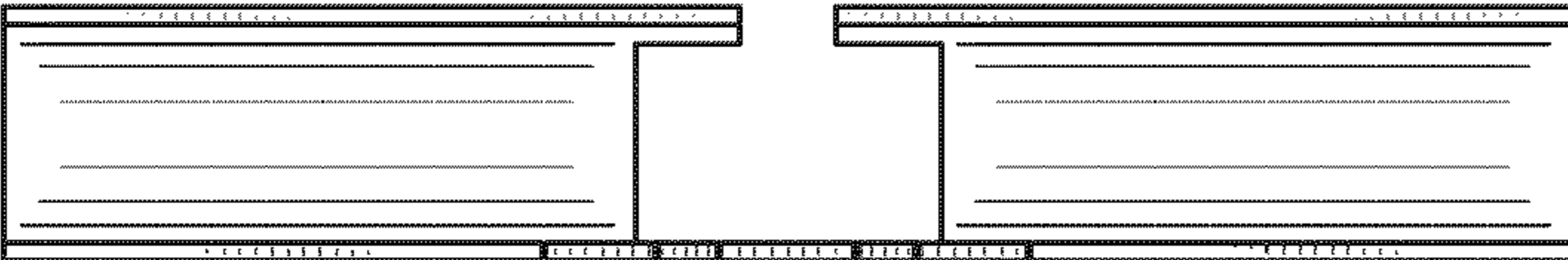


FIG. 5

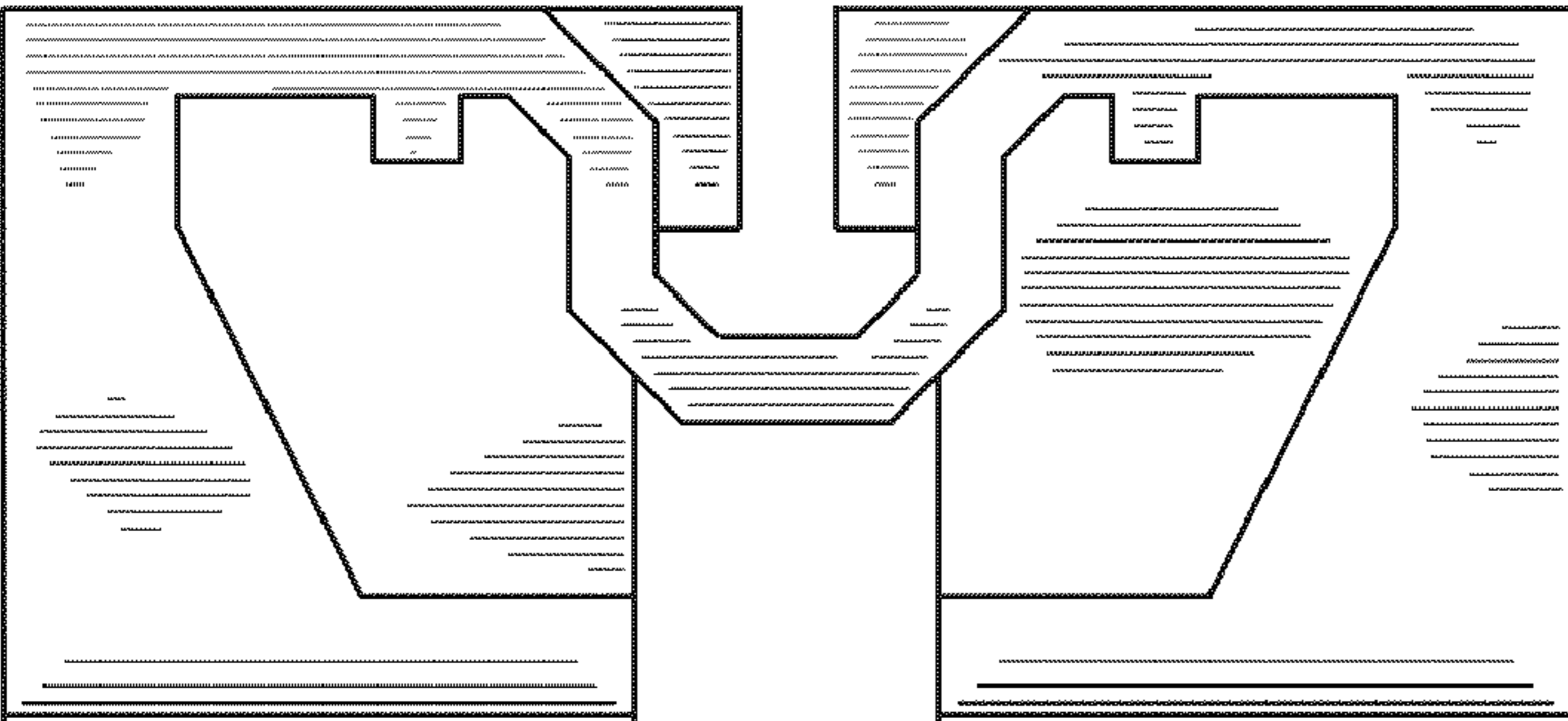


FIG. 6