



US00D610131S

(12) **United States Design Patent**  
**Stumvoll et al.**

(10) **Patent No.:** **US D610,131 S**

(45) **Date of Patent:** **\*\* Feb. 16, 2010**

(54) **SPEAKER HOUSING**

(75) Inventors: **Mark Stumvoll**, Sartell, MN (US);  
**Warren Sowers**, Clearwater, MN (US)

(73) Assignee: **Royal Tire, Inc.**, St. Cloud, MN (US)

(\*\*) Term: **14 Years**

(21) Appl. No.: **29/278,877**

(22) Filed: **Apr. 12, 2007**

(51) **LOC (9) Cl.** ..... **14-01**

(52) **U.S. Cl.** ..... **D14/224; D14/221**

(58) **Field of Classification Search** ..... D14/156,  
D14/207, 209, 216, 219, 221, 222, 224, 257,  
D14/258; D23/354; 174/57; 181/150, 156,  
181/171, 199; 248/27.1, 220.31; 381/354,  
381/386, 389, 395, 353, 392, 186

See application file for complete search history.

(56) **References Cited**

**U.S. PATENT DOCUMENTS**

2,205,669	A *	6/1940	Pye	.....	381/395
2,555,923	A *	6/1951	Elstad	.....	248/27.1
2,980,756	A *	4/1961	Kelleher	.....	174/57
D198,377	S *	6/1964	Wassmann	.....	D14/216
D248,395	S *	7/1978	Barbera	.....	D14/219
4,797,935	A *	1/1989	Tanaka	.....	381/392
4,811,406	A *	3/1989	Kawachi	.....	381/186
5,468,922	A *	11/1995	Hanba	.....	181/150
5,703,335	A *	12/1997	Deutsch	.....	181/150
D394,660	S *	5/1998	Hrach et al.	.....	D14/224

D443,262	S *	6/2001	Caren	.....	D14/224
6,349,142	B1 *	2/2002	Teng	.....	381/386
7,035,419	B2 *	4/2006	Yu et al.	.....	381/353
7,100,879	B2 *	9/2006	Podue et al.	.....	248/220.31
D578,112	S *	10/2008	Naito	.....	D14/224

**OTHER PUBLICATIONS**

Photographs of speaker housings.

\* cited by examiner

*Primary Examiner*—Paula Greene

(74) *Attorney, Agent, or Firm*—Merchant & Gould P.C.

(57) **CLAIM**

The ornamental design for a speaker housing, as shown and described.

**DESCRIPTION**

FIG. 1 is a perspective view of a speaker housing showing our new design;

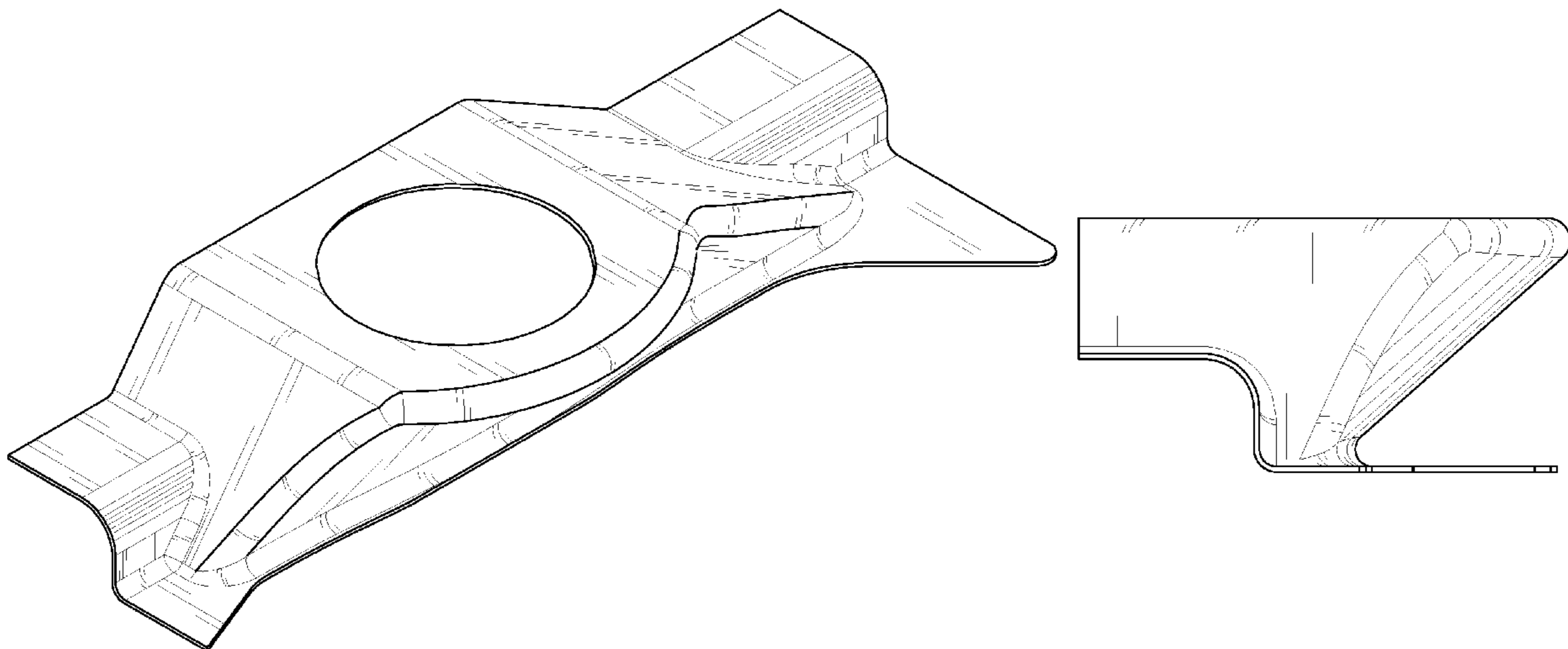
FIG. 2 is a top view thereof, the bottom is not part of the claimed design;

FIG. 3 is an end view thereof, the opposite end is a mirror image;

FIG. 4 is a side elevational view thereof; and,

FIG. 5 is a perspective view of a second embodiment of a speaker housing showing our new design, the top, end, and side views are mirror images of the top, end, and side views of FIG. 1, the bottom is not part of the claimed design.

**1 Claim, 5 Drawing Sheets**



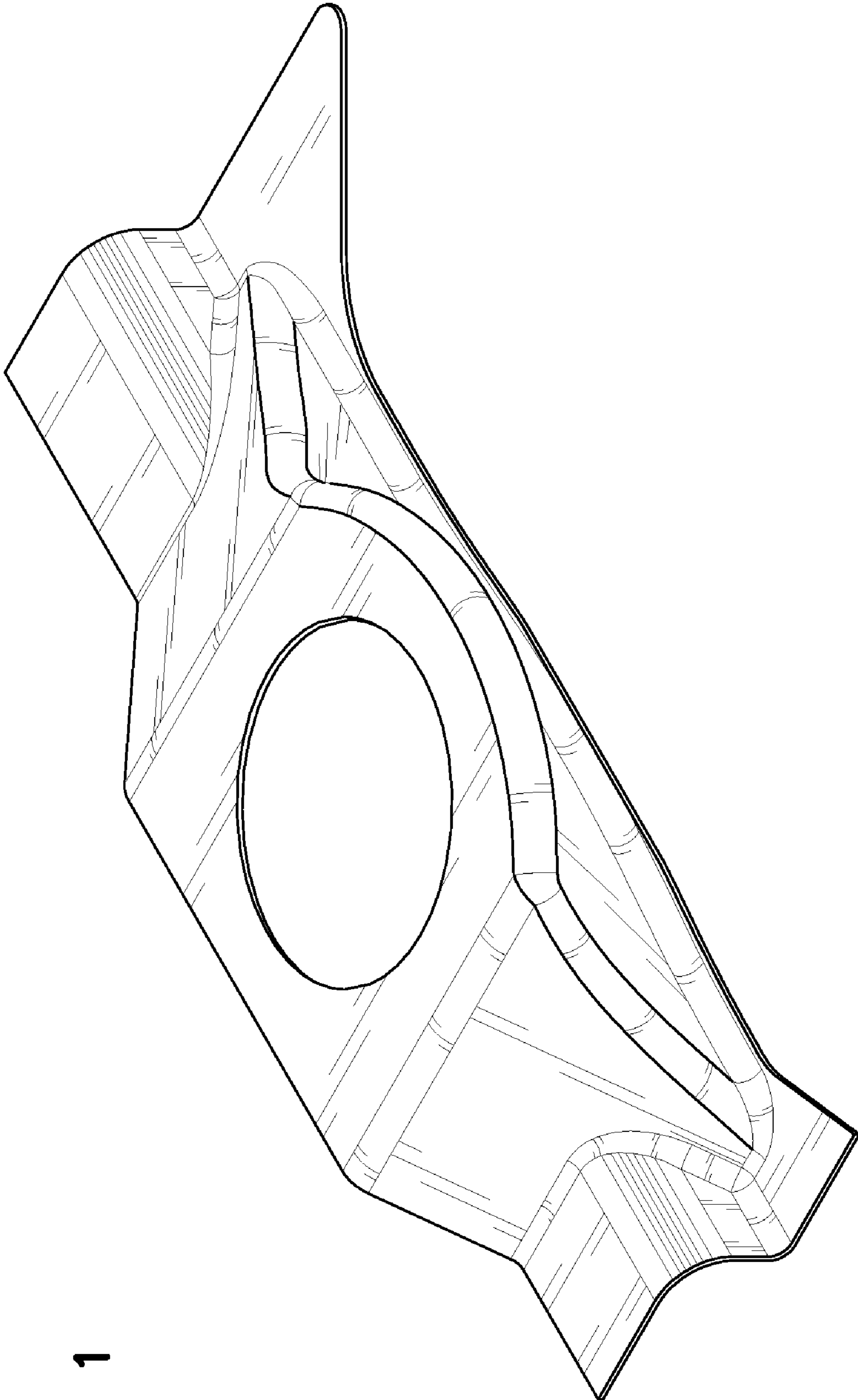


FIG. 1

FIG. 2

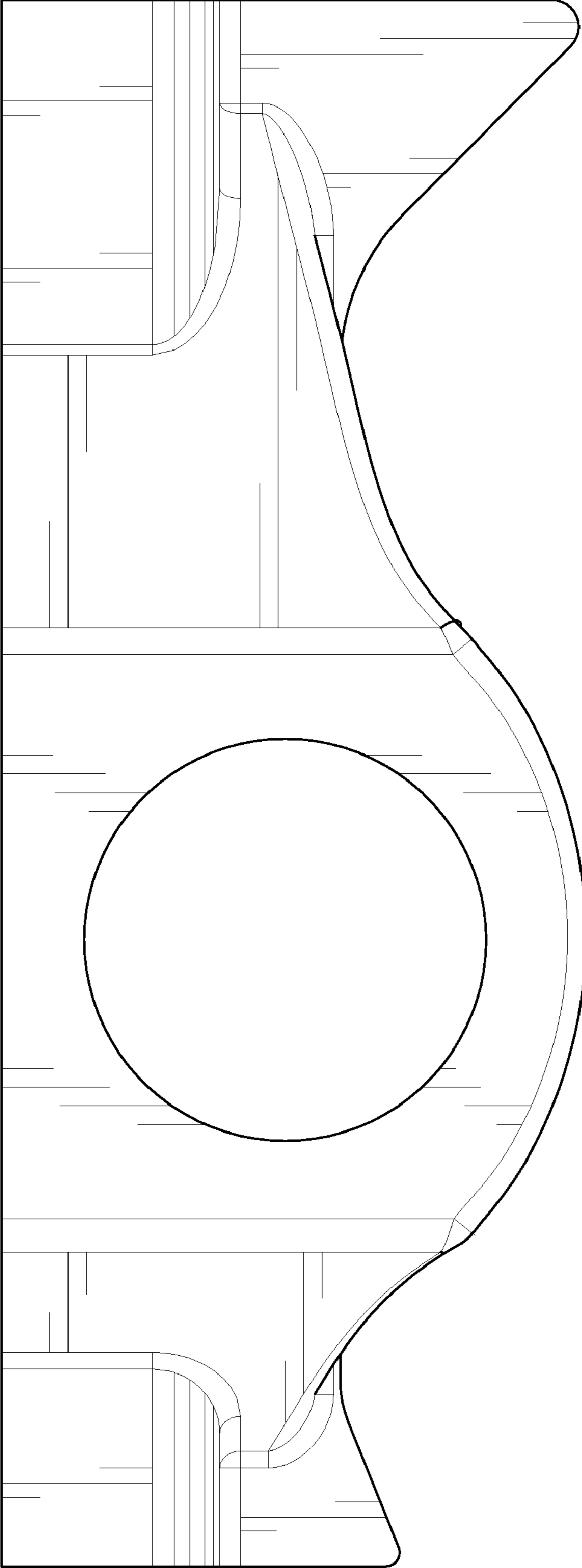
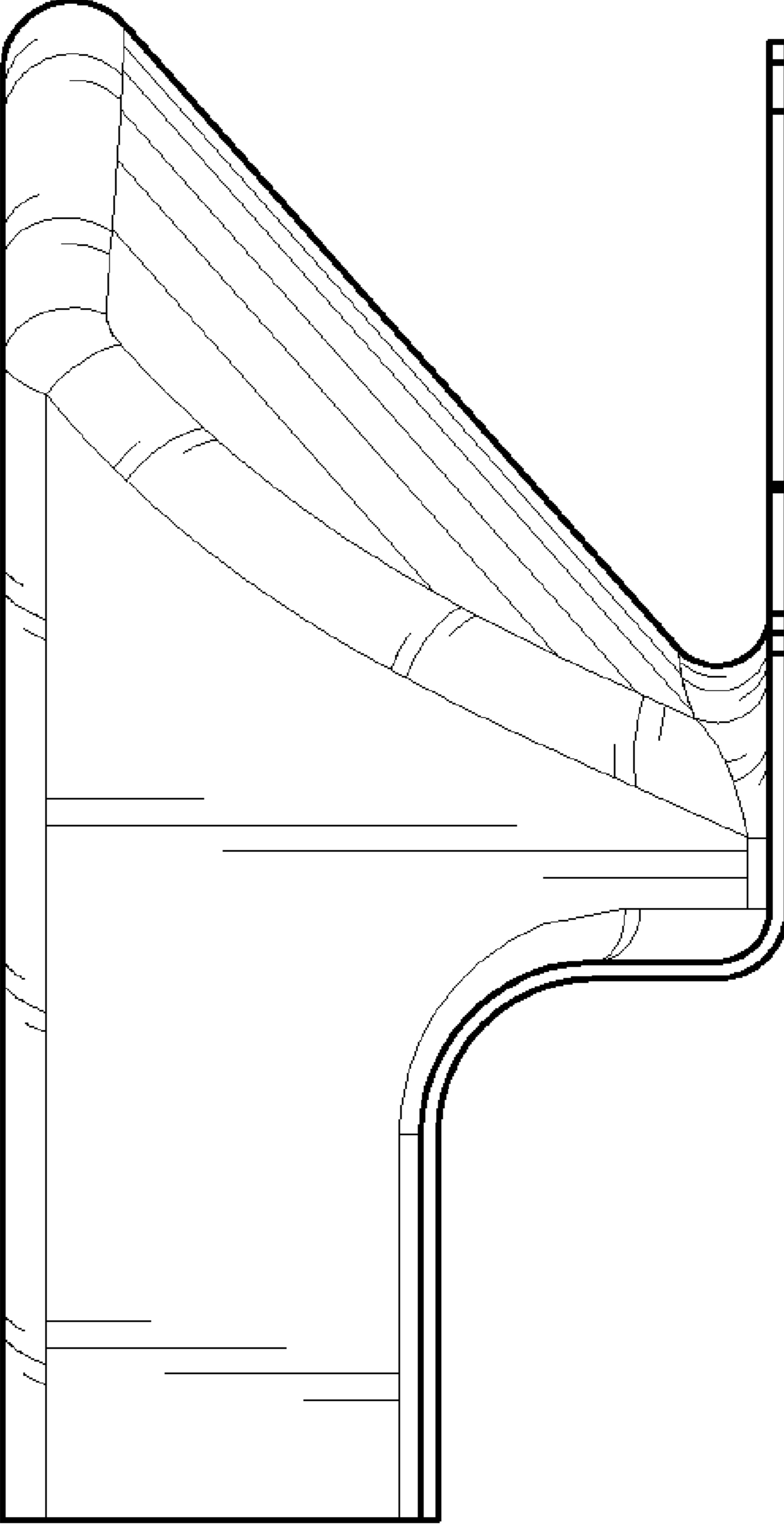


FIG. 3



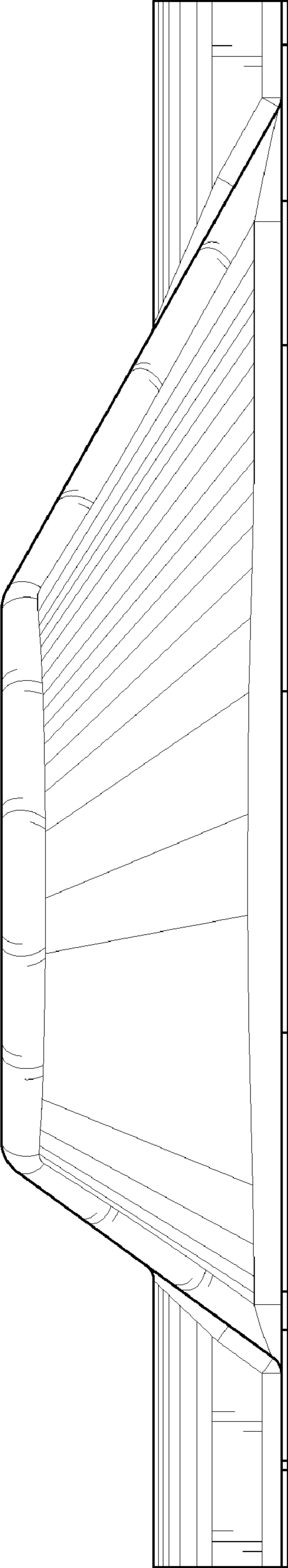


FIG. 4

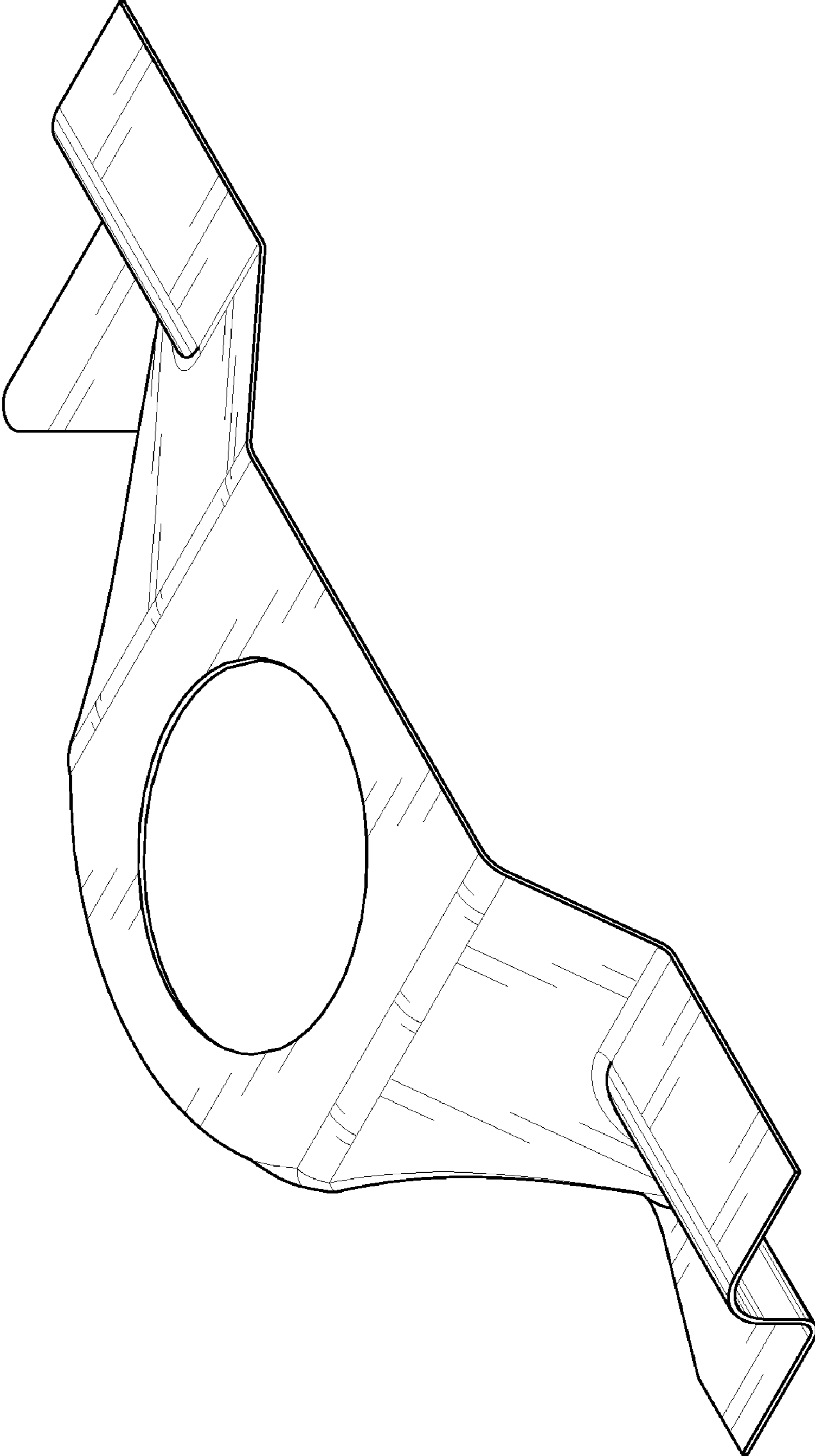


FIG. 5