



US00D610129S

(12) **United States Design Patent**
Densho et al.

(10) **Patent No.:** **US D610,129 S**

(45) **Date of Patent:** **** *Feb. 16, 2010**

(54) **EARPHONE**

(75) Inventors: **Keiko Densho**, Tokyo (JP); **Yosuke Shimizu**, Tokyo (JP); **Naoki Sugiyama**, Tokyo (JP); **Naoto Shimizu**, Tokyo (JP); **So Morimoto**, Tokyo (JP); **Sohei Kitayama**, Tokyo (JP)

(73) Assignee: **Sony Corporation**, Tokyo (JP)

(*) Notice: This patent is subject to a terminal disclaimer.

(**) Term: **14 Years**

(21) Appl. No.: **29/311,145**

(22) Filed: **Dec. 31, 2008**

Related U.S. Application Data

(63) Continuation of application No. 29/300,195, filed on Feb. 29, 2008, now Pat. No. Des. 598,431, and a continuation of application No. 29/300,196, filed on Feb. 29, 2008, now Pat. No. Des. 587,247, and a continuation of application No. 29/300,197, filed on Feb. 29, 2008, now abandoned, and a continuation of application No. 29/300,199, filed on Feb. 29, 2008, now Pat. No. Des. 587,249.

(30) **Foreign Application Priority Data**

Aug. 31, 2007	(JP)	D2007-023857
Aug. 31, 2007	(JP)	D2007-023863
Aug. 31, 2007	(JP)	D2007-023864
Aug. 31, 2007	(JP)	D2007-023865
Jul. 4, 2008	(JP)	D2008-017355
Jul. 4, 2008	(JP)	D2008-017356
Jul. 31, 2008	(JP)	D2008-019806

(51) **LOC (9) Cl.** **14-01**

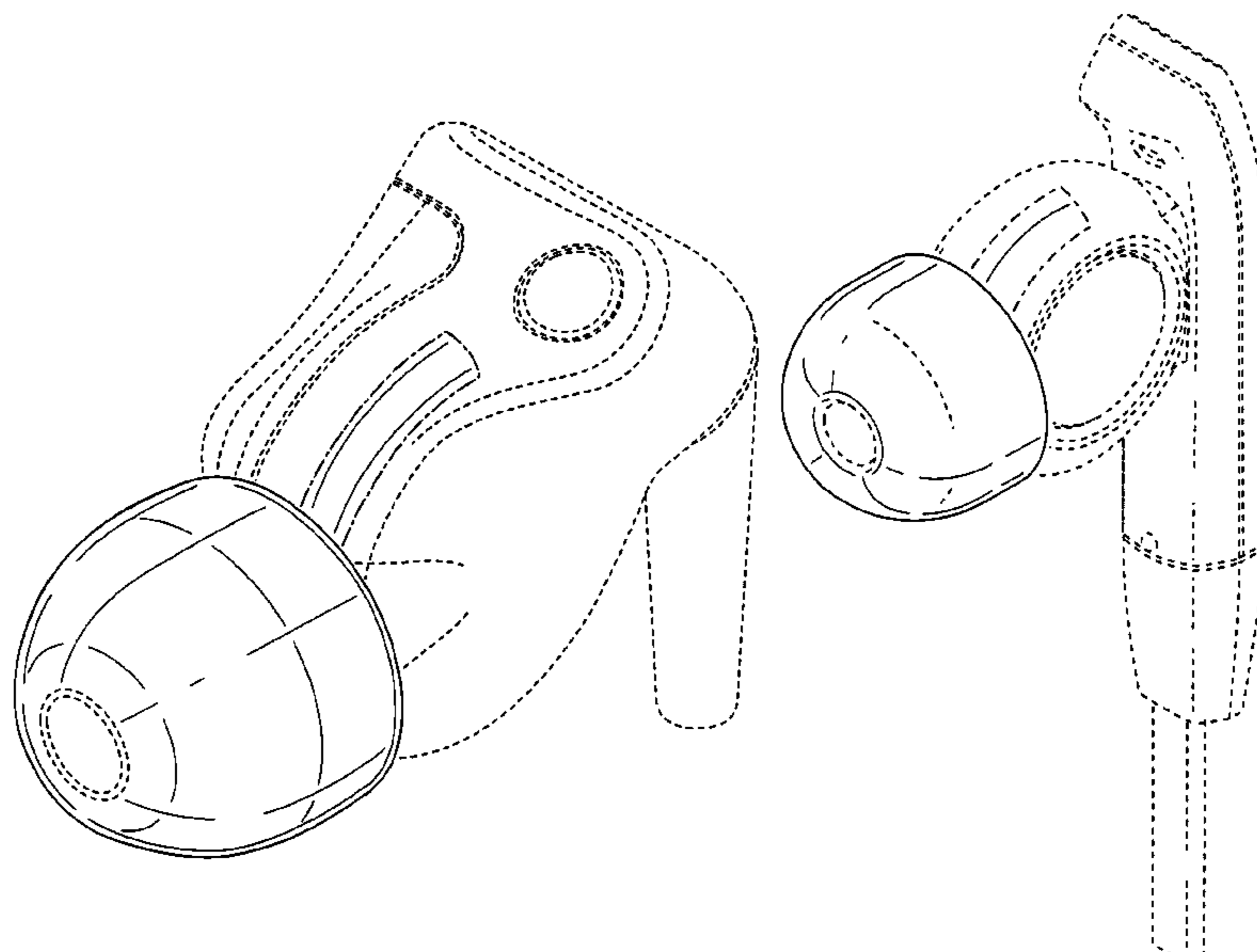
(52) **U.S. Cl.** **D14/223**

(58) **Field of Classification Search** D14/205, D14/206, 223, 188, 192; 181/129, 130; 379/430, 379/433; 128/864, 865; D24/106; 381/381
See application file for complete search history.

(56) **References Cited**

U.S. PATENT DOCUMENTS

D106,823	S	11/1937	Sears	
D135,674	S	5/1943	Williams et al.	
2,325,590	A	7/1943	Carlisle et al.	
2,430,229	A	11/1947	Kelsey	
2,787,670	A	4/1957	Rowland	
3,047,089	A	7/1962	Zwislocki	
3,983,336	A	9/1976	Malek et al.	
D245,202	S *	7/1977	Asker	D24/106
4,585,089	A	4/1986	Topholm	
D304,944	S	12/1989	Behringer	
4,972,492	A	11/1990	Tanaka et al.	
D314,964	S	2/1991	Chung	
5,298,692	A	3/1994	Ikeda et al.	
D350,133	S	8/1994	Kanno	
D377,796	S	2/1997	Hayashi	
D382,307	S	8/1997	Sharpe, III et al.	
D396,722	S	8/1998	Benedetti	
D437,314	S	2/2001	DeLeon	
D440,551	S	4/2001	Bolas et al.	
D444,141	S	6/2001	Koss et al.	
D459,342	S	6/2002	Marion et al.	
6,418,230	B1	7/2002	McDonald et al.	
D468,301	S	1/2003	Fushimi	
D474,171	S	5/2003	Suzuki	
D481,374	S	10/2003	Lee	
D487,077	S	2/2004	Obata	
D504,889	S *	5/2005	Andre et al.	D14/341
D506,744	S *	6/2005	Andre et al.	D14/205
D508,479	S	8/2005	Okada	
D510,085	S	9/2005	Suzuki	
D514,094	S	1/2006	Griffin	
D515,070	S *	2/2006	Andre et al.	D14/205
D519,981	S	5/2006	Lai	
D525,241	S	7/2006	Dyer	
7,092,543	B1	8/2006	Mahoney et al.	
D533,867	S	12/2006	Koizumi	



D539,268	S	3/2007	Suzuki	
7,221,768	B2	5/2007	Sjursen et al.	
D550,657	S	9/2007	Gan et al.	
D554,756	S	11/2007	Sjursen et al.	
D563,394	S	3/2008	Donaldson et al.	
D564,495	S	3/2008	Sasaki	
D566,099	S	4/2008	Komiyama	
D567,217	S	4/2008	Kamo et al.	
7,356,362	B2	4/2008	Chang et al.	
D568,291	S *	5/2008	Andre et al.	D14/205
D572,703	S	7/2008	Ledbetter et al.	
D574,361	S	8/2008	Sasaki	
D574,814	S	8/2008	Hammond	
D575,773	S	8/2008	Yanai	
D576,154	S	9/2008	Ledbetter et al.	
D579,923	S *	11/2008	Andre et al.	D14/223
D587,247	S	2/2009	Densho	
D587,249	S	2/2009	Densho	
D587,677	S *	3/2009	Andre et al.	D14/205
D589,491	S *	3/2009	Andre et al.	D14/205
D595,270	S *	6/2009	Andre et al.	D14/223
D598,431	S *	8/2009	Densho	D14/223

FOREIGN PATENT DOCUMENTS

JP	1305029	S	6/2007
JP	1305030	S	6/2007

* cited by examiner

Primary Examiner—Paula Greene
(74) Attorney, Agent, or Firm—Rader, Fishman & Grauer, PLLC

(57) **CLAIM**

The ornamental design for an earphone, as shown and described.

DESCRIPTION

FIG. 1 is a front right top perspective view of a first embodiment of an earphone showing our new design;
 FIG. 2 is a rear right top perspective view thereof;
 FIG. 3 is a front elevational view thereof;
 FIG. 4 is a rear elevational view thereof;
 FIG. 5 is a side elevational view thereof;
 FIG. 6 is an opposite side elevational view thereof;
 FIG. 7 is a top plan view thereof;
 FIG. 8 is a bottom plan view thereof;
 FIG. 9 is a front right top perspective view of a second embodiment of an earphone showing our new design;
 FIG. 10 is a rear right top perspective view thereof;
 FIG. 11 is a front elevational view thereof;
 FIG. 12 is a rear elevational view thereof;
 FIG. 13 is a left side elevational view thereof;
 FIG. 14 is a right side elevational view thereof;
 FIG. 15 is a top plan view thereof;

FIG. 16 is a bottom plan view thereof;
 FIG. 17 is a front right top perspective view of a third embodiment of an earphone showing our new design;
 FIG. 18 is a front elevational view thereof;
 FIG. 19 is a rear elevational view thereof;
 FIG. 20 is a left side elevational view thereof;
 FIG. 21 is a right side elevational view thereof;
 FIG. 22 is a top plan view thereof;
 FIG. 23 is a bottom plan view thereof;
 FIG. 24 is a front right top perspective view of a fourth embodiment of an earphone showing our new design;
 FIG. 25 is a front elevational view thereof;
 FIG. 26 is a rear elevational view thereof;
 FIG. 27 is a left side elevational view thereof;
 FIG. 28 is a right side elevational view thereof;
 FIG. 29 is a top plan view thereof;
 FIG. 30 is a bottom plan view thereof;
 FIG. 31 is a front right top perspective view of a fifth embodiment of an earphone showing our new design;
 FIG. 32 is a front elevational view thereof;
 FIG. 33 is a rear elevational view thereof;
 FIG. 34 is a left side elevational view thereof;
 FIG. 35 is a right side elevational view thereof;
 FIG. 36 is a top plan view thereof;
 FIG. 37 is a bottom plan view thereof;
 FIG. 38 is a front right top perspective view of a sixth embodiment of an earphone showing our new design;
 FIG. 39 is a front elevational view thereof;
 FIG. 40 is a rear elevational view thereof;
 FIG. 41 is a left side elevational view thereof;
 FIG. 42 is a right side elevational view thereof;
 FIG. 43 is a top plan view thereof;
 FIG. 44 is a bottom plan view thereof;
 FIG. 45 is a front right top perspective view of a seventh embodiment of an earphone showing our new design;
 FIG. 46 is a rear right top perspective view thereof;
 FIG. 47 is a front elevational view thereof;
 FIG. 48 is a rear elevational view thereof;
 FIG. 49 is a left side elevational view thereof;
 FIG. 50 is a right side elevational view thereof;
 FIG. 51 is a top plan view thereof; and,
 FIG. 52 is a bottom plan view thereof.
 The portions indicated in broken lines are for illustrative purposes only and form no part of the claimed design.

Fig.1

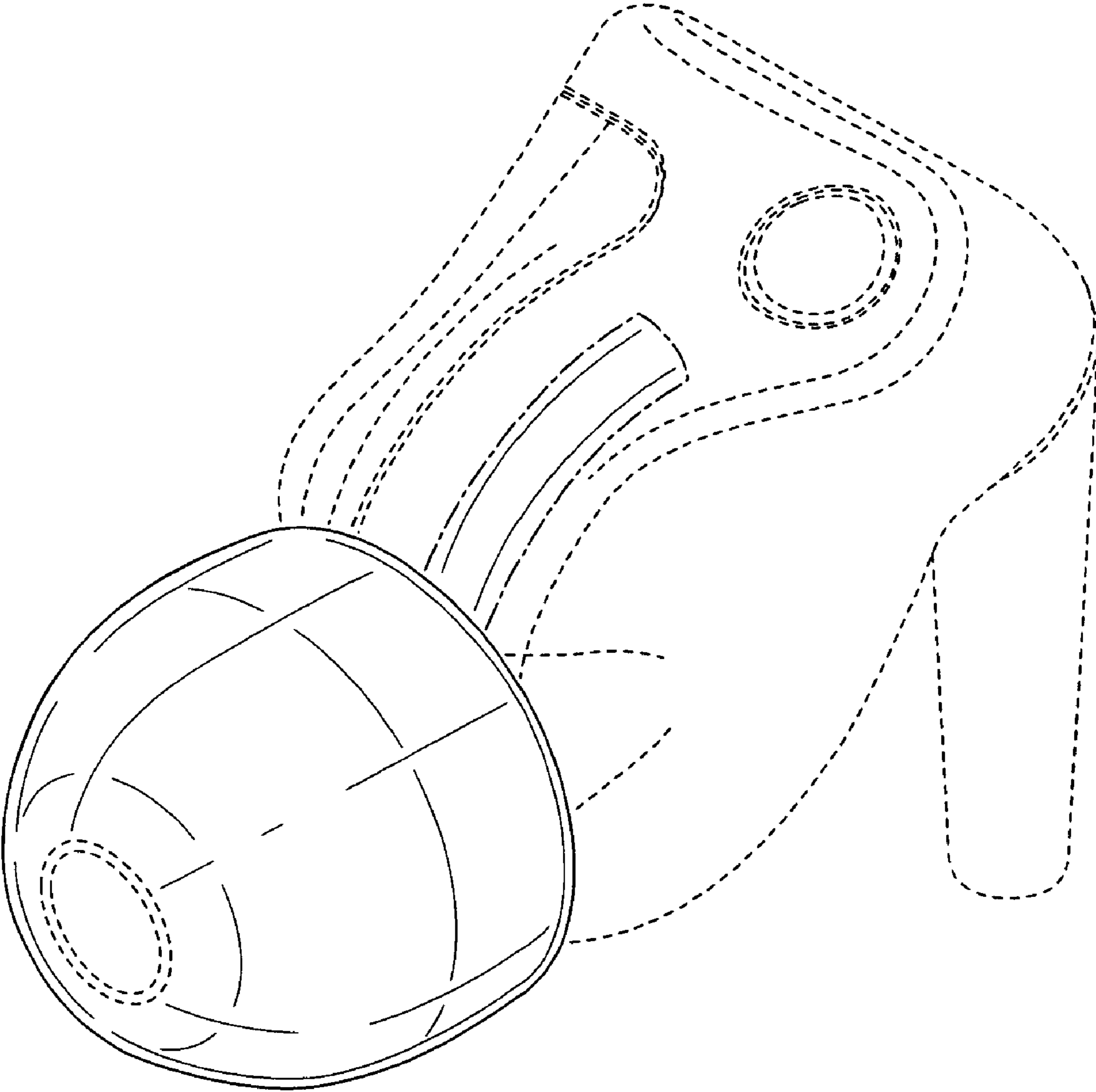


Fig.2

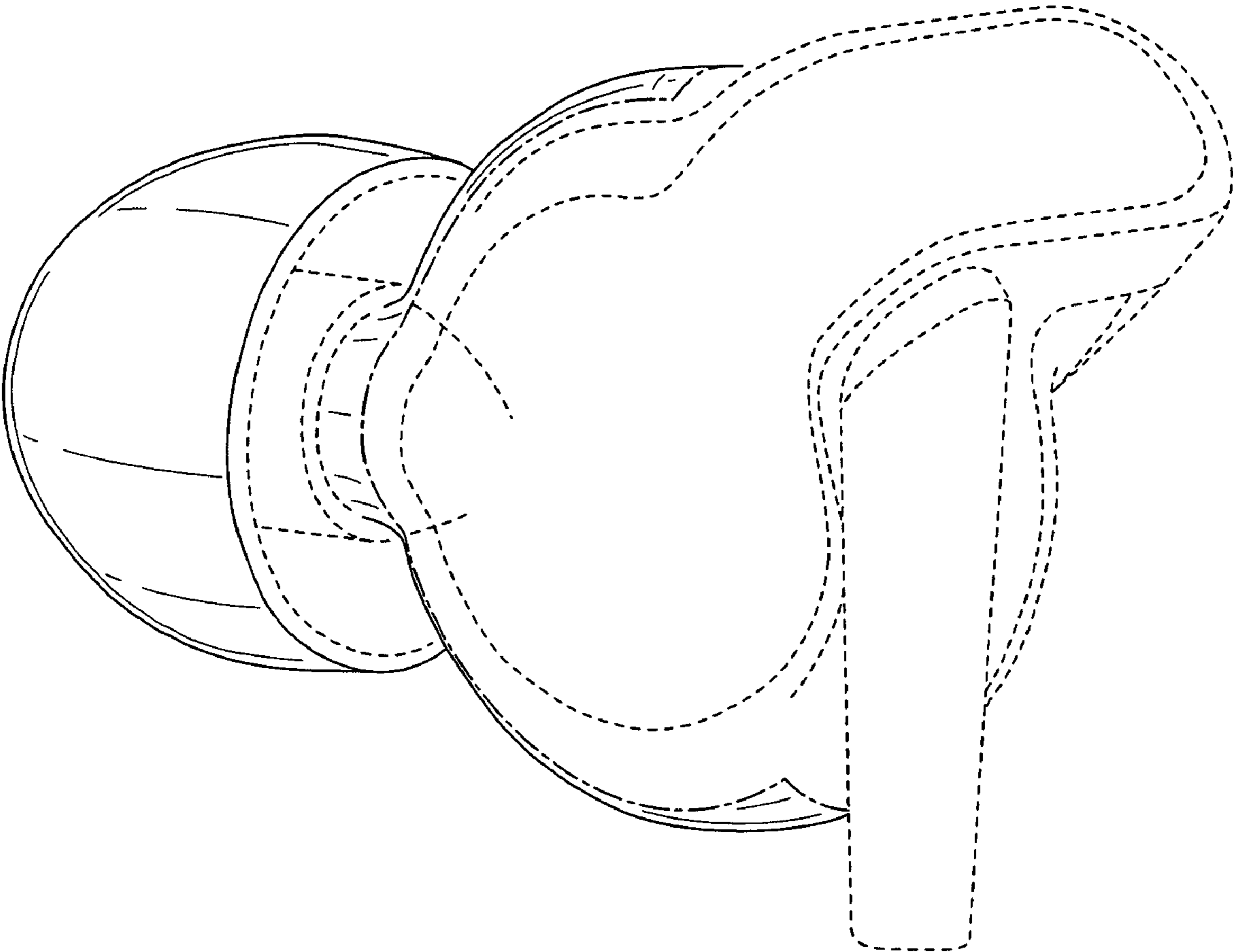


Fig.3

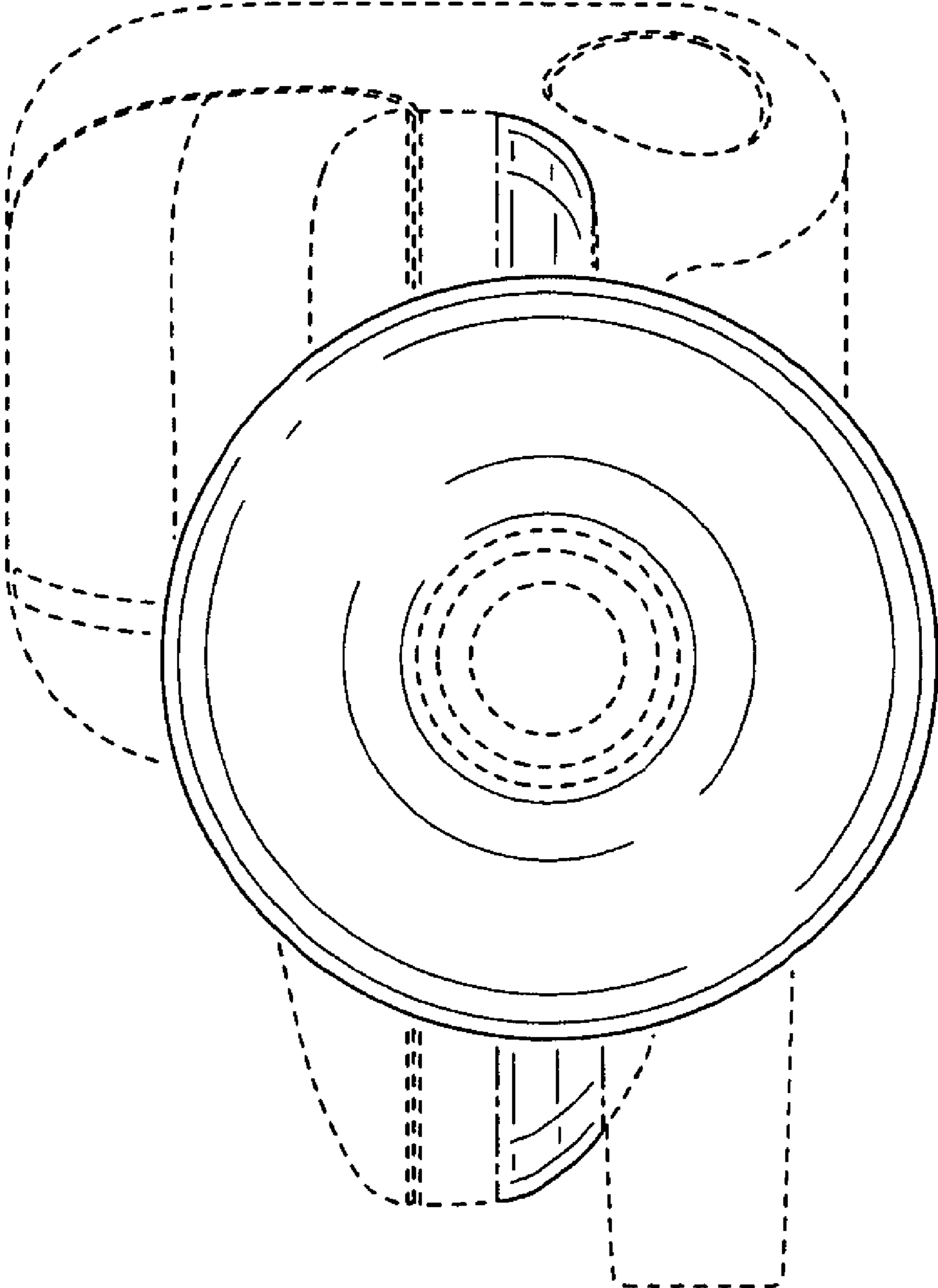


Fig.4

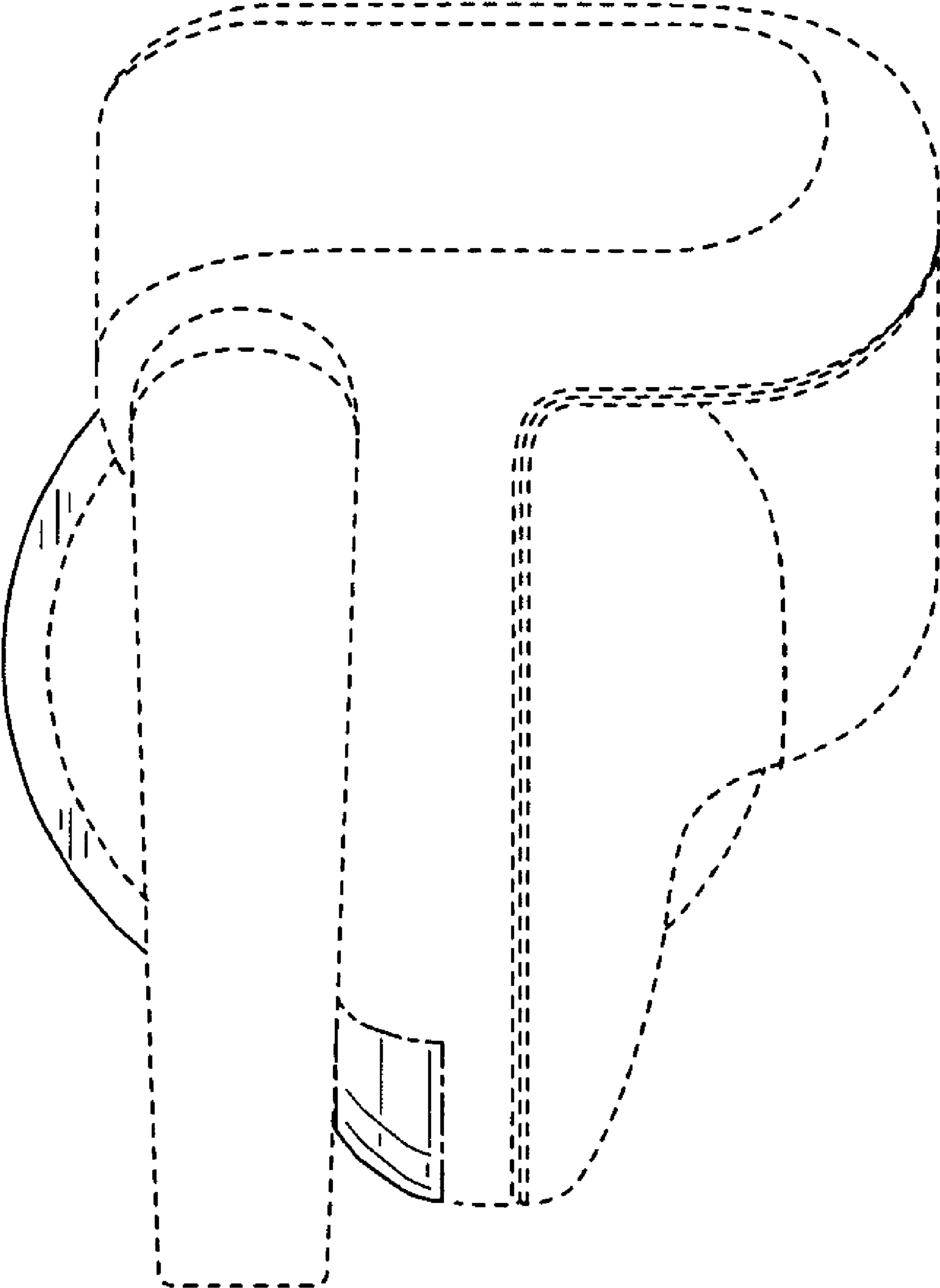


Fig.5

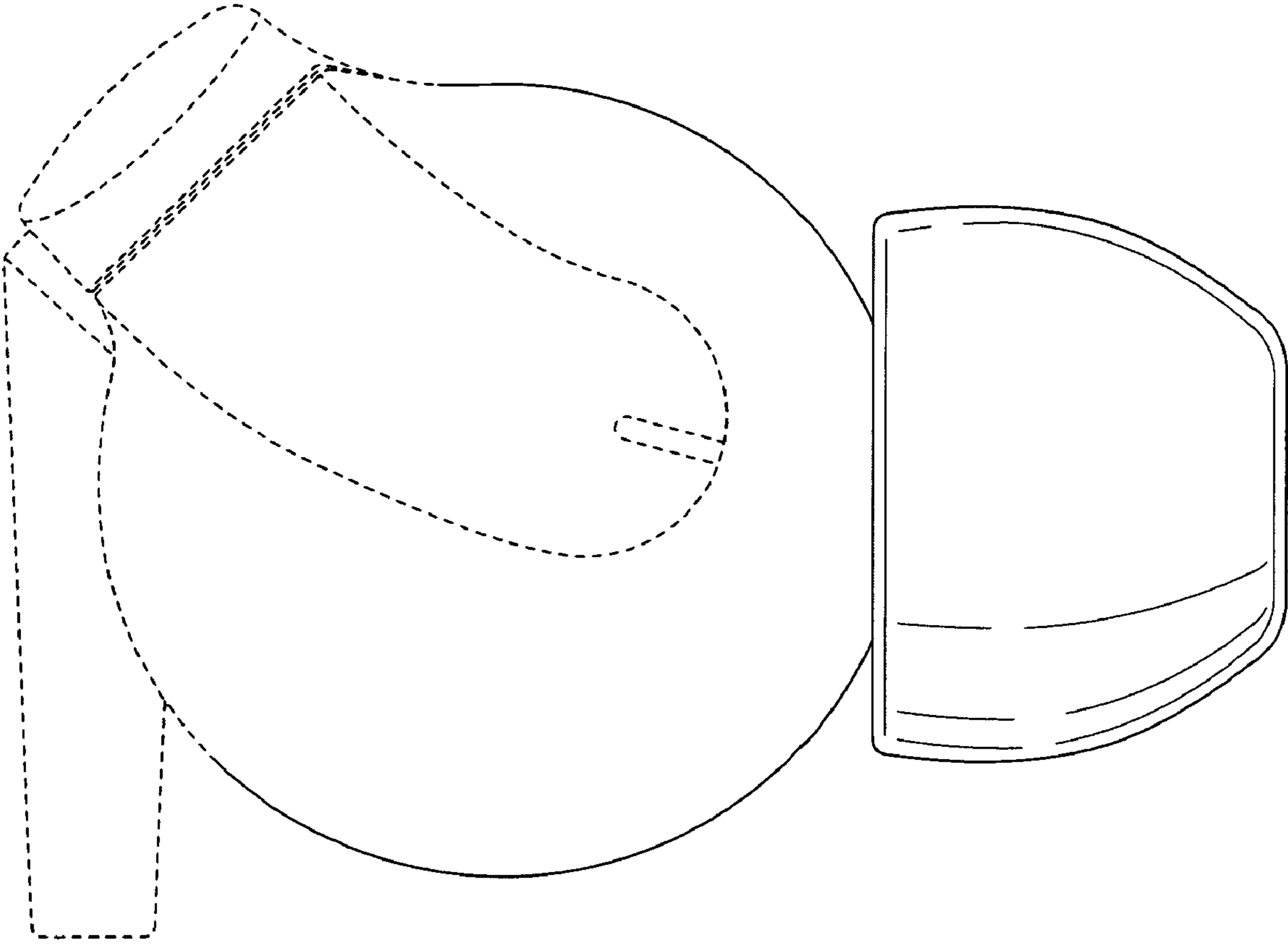


Fig.6

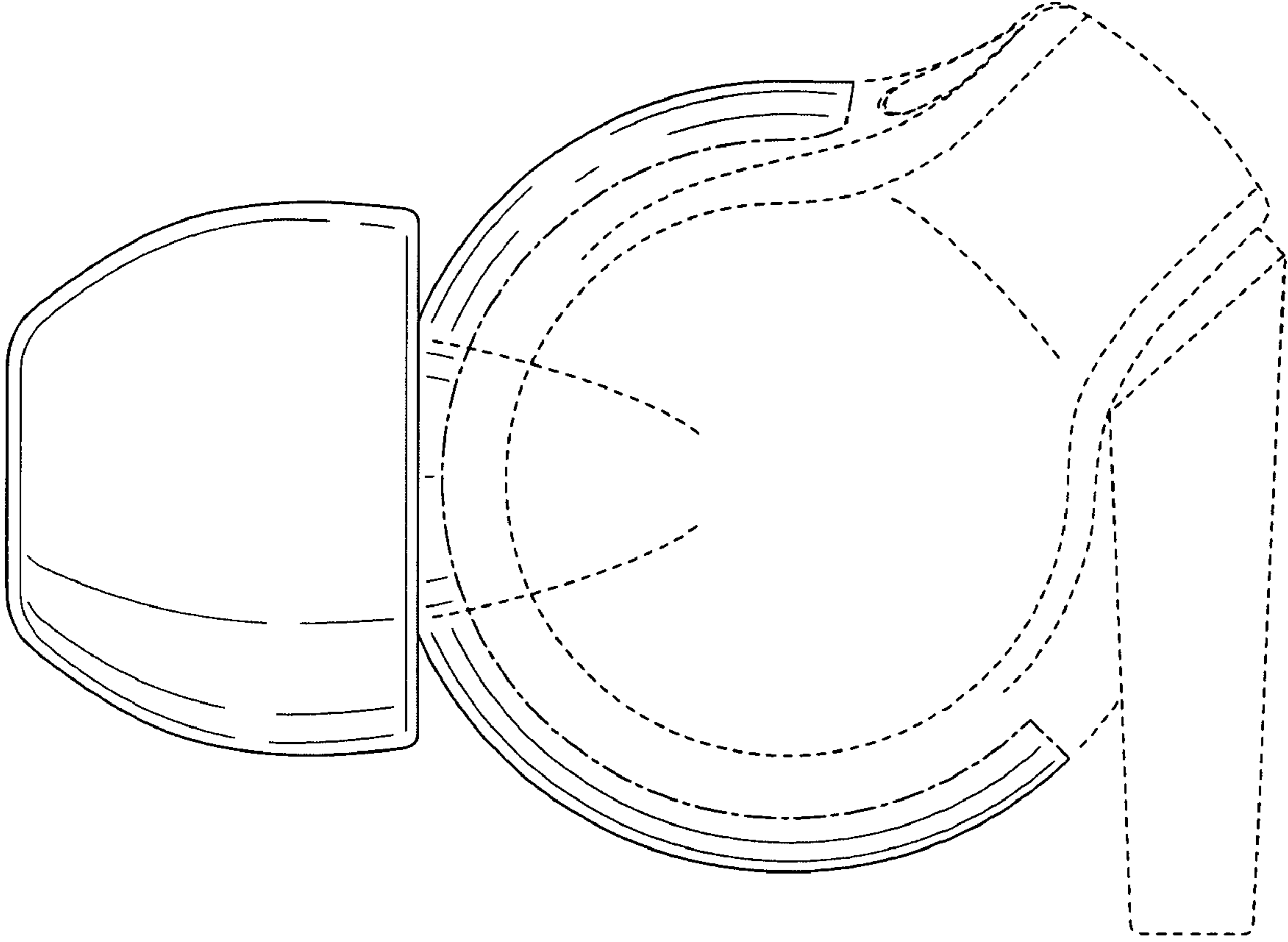


Fig.7

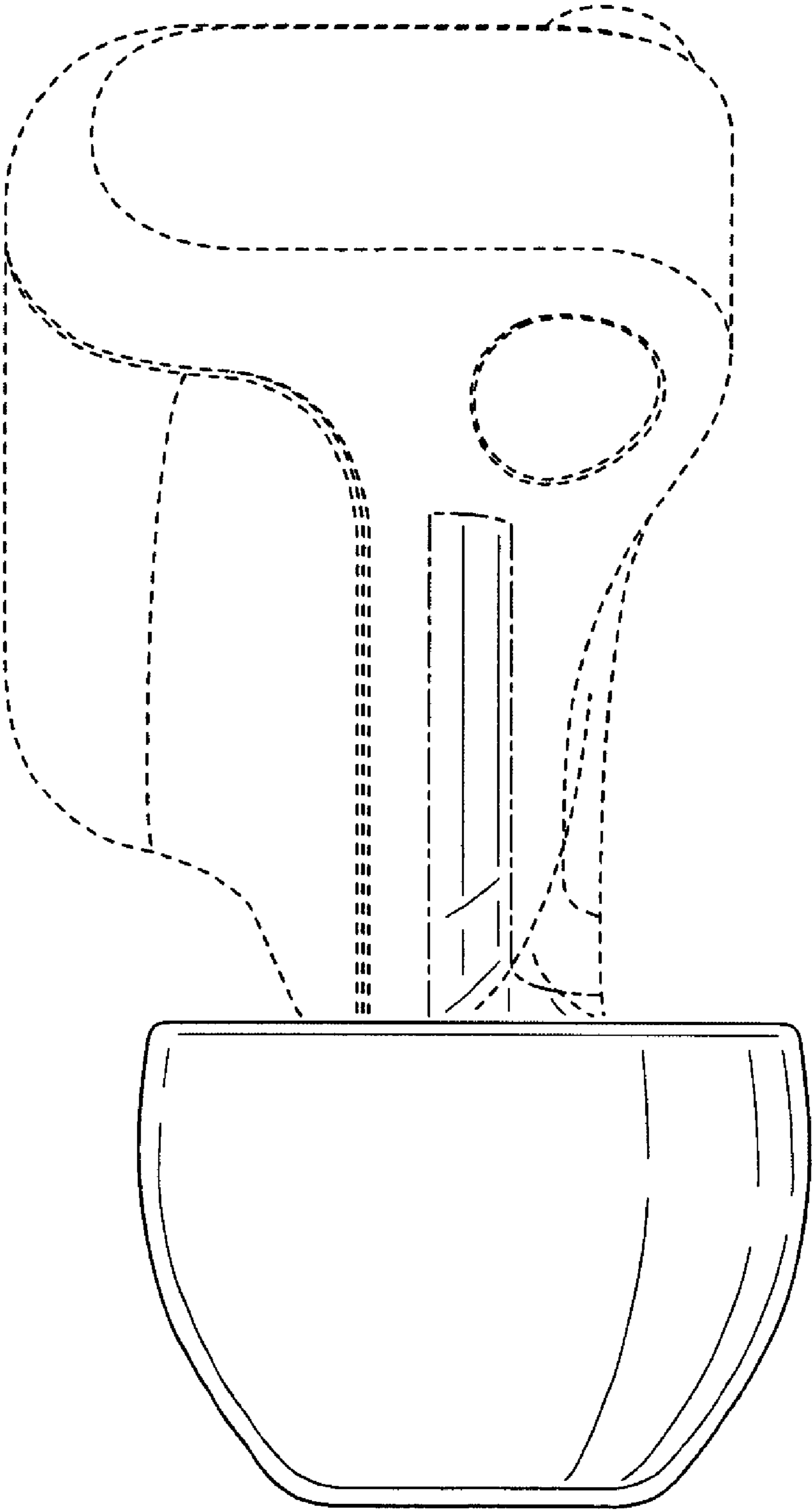


Fig.8

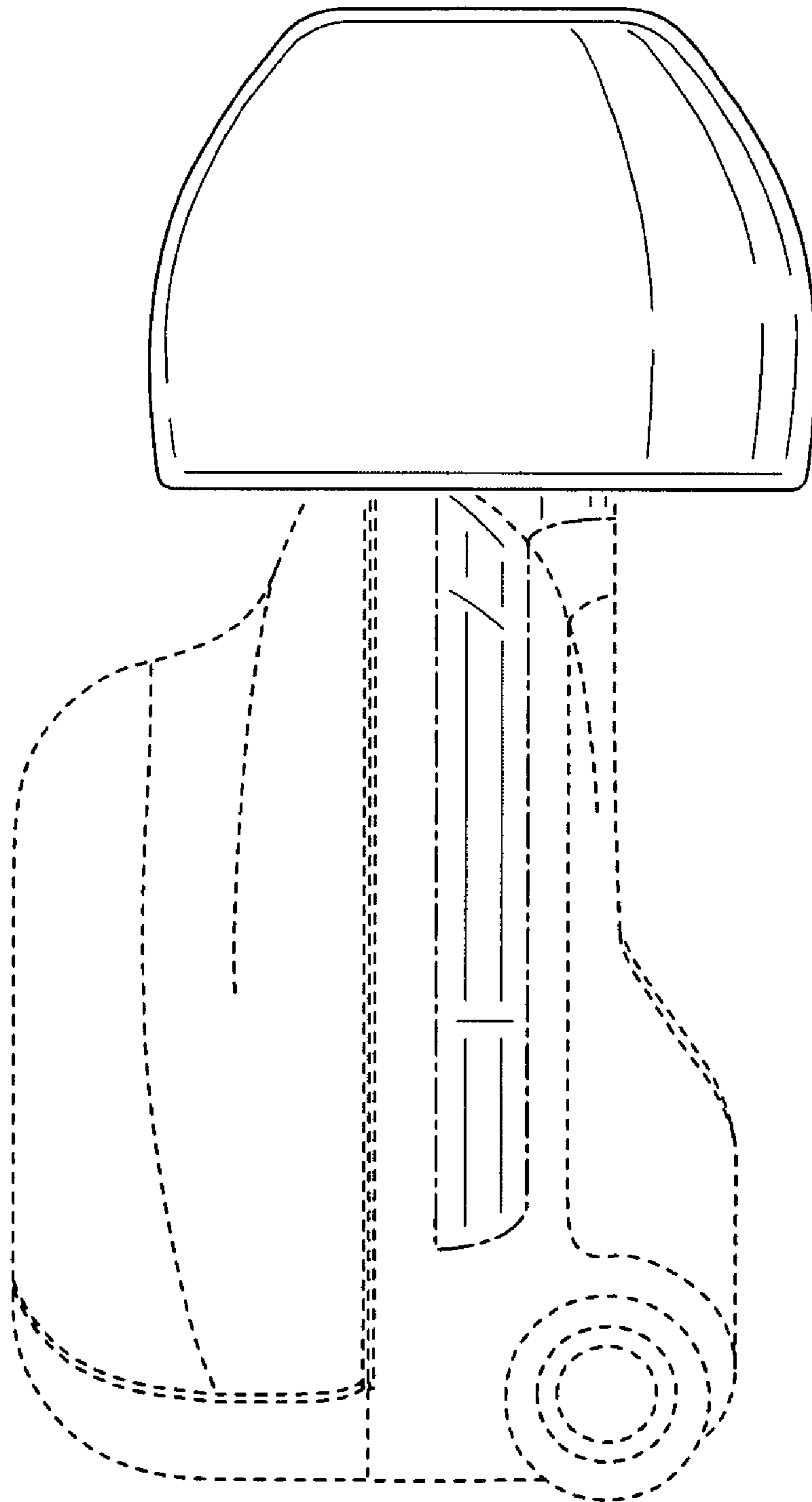


Fig.9

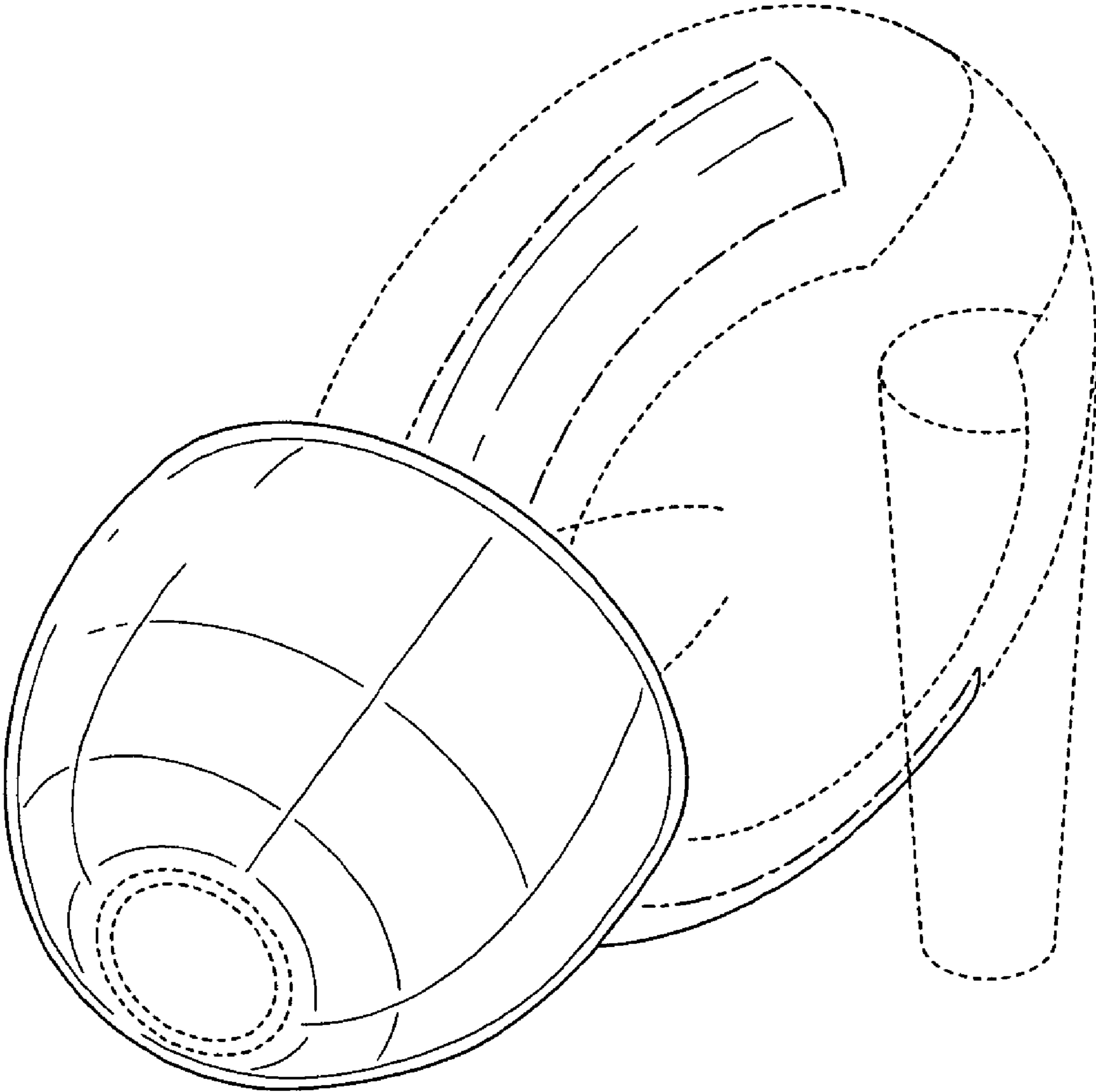


Fig.10

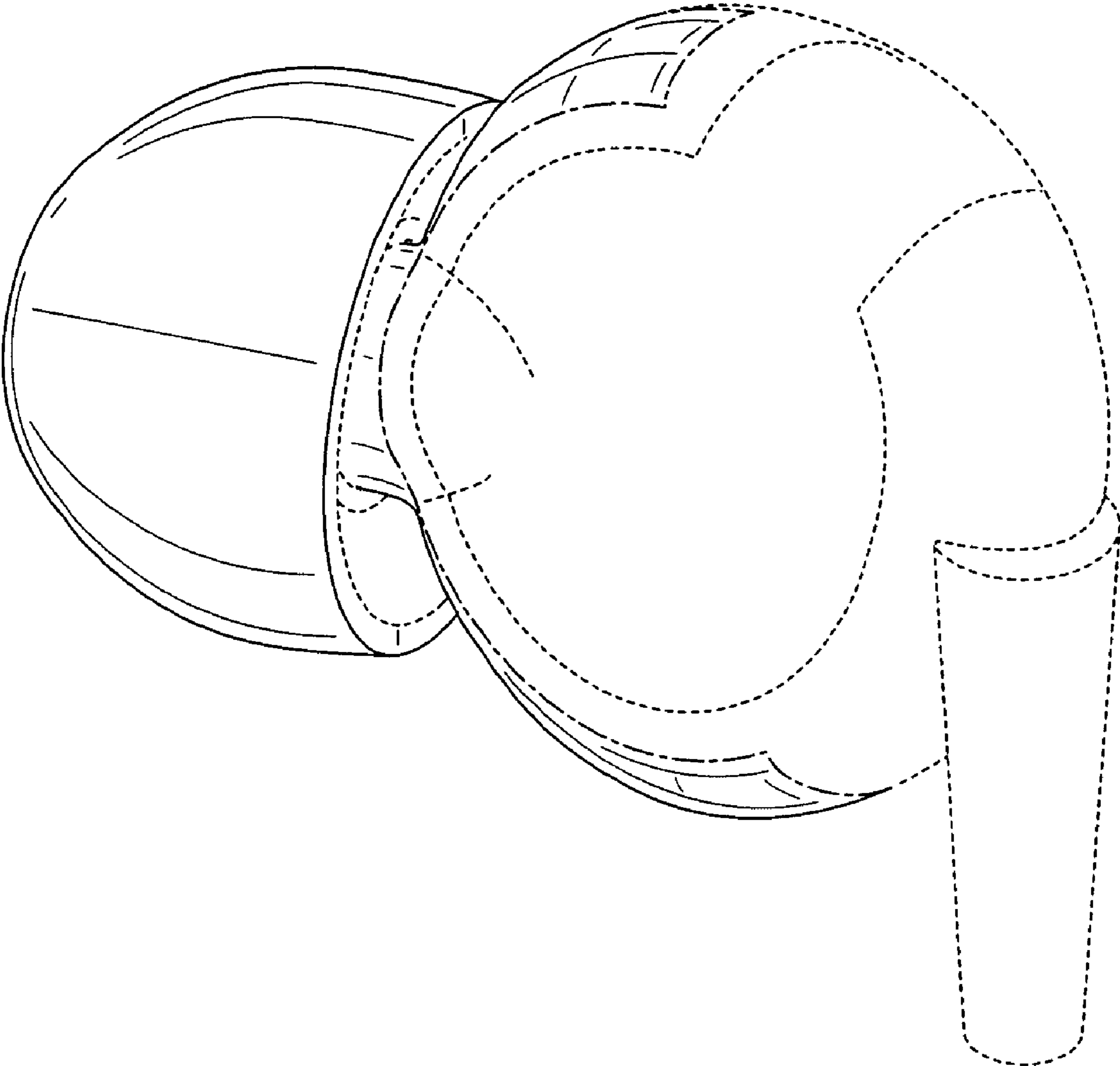


Fig. 11

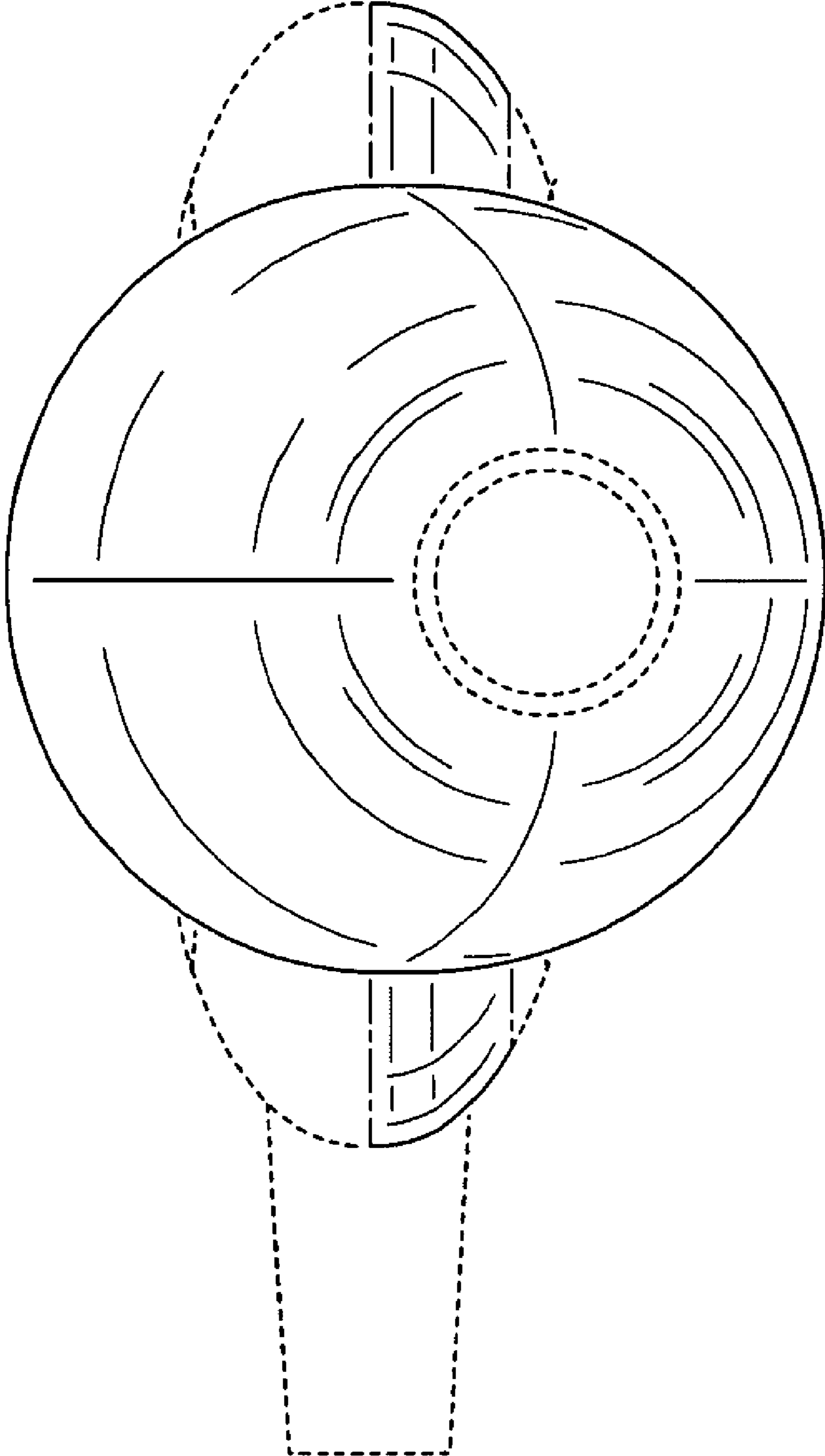


Fig.12

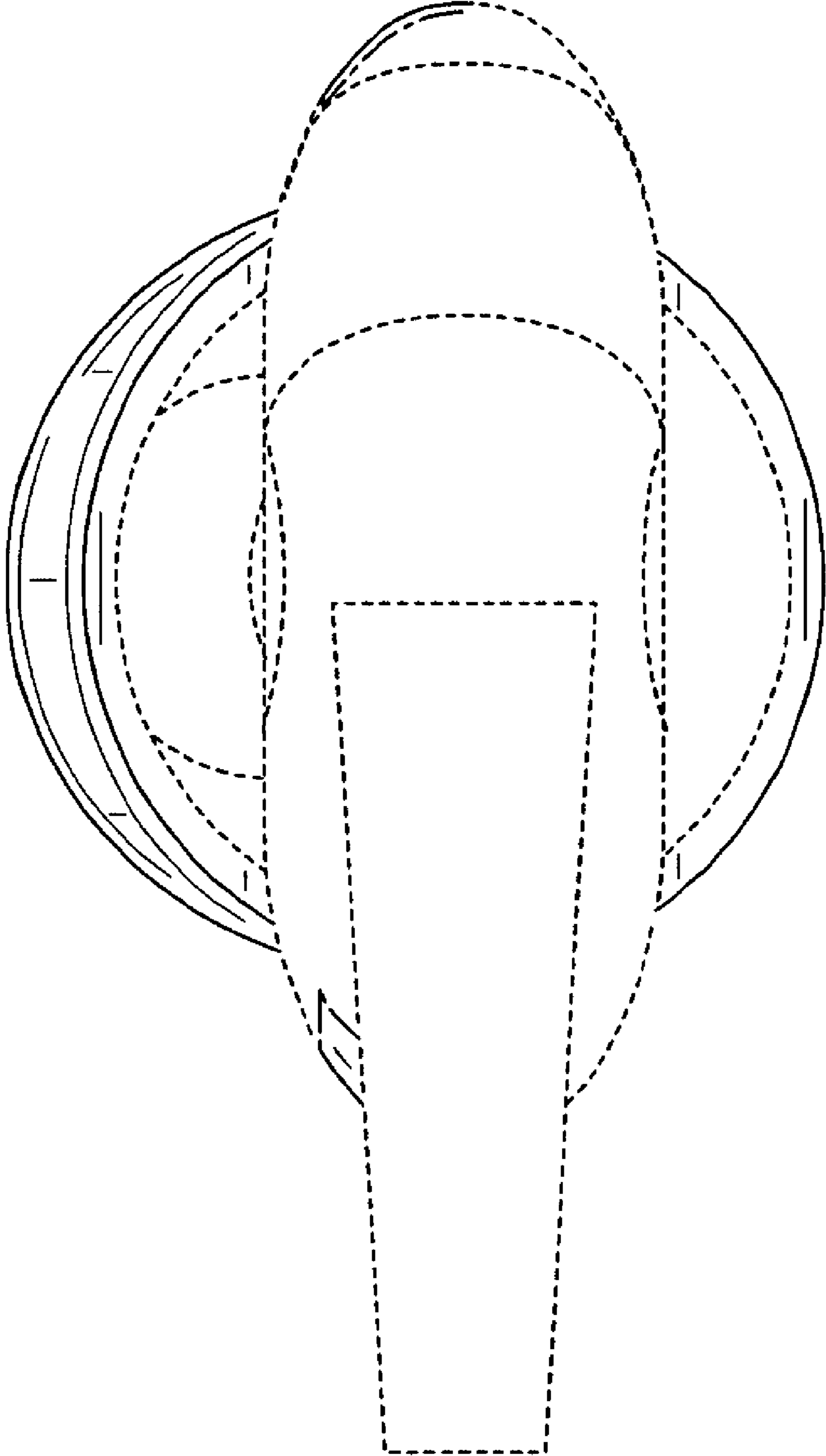


Fig.13

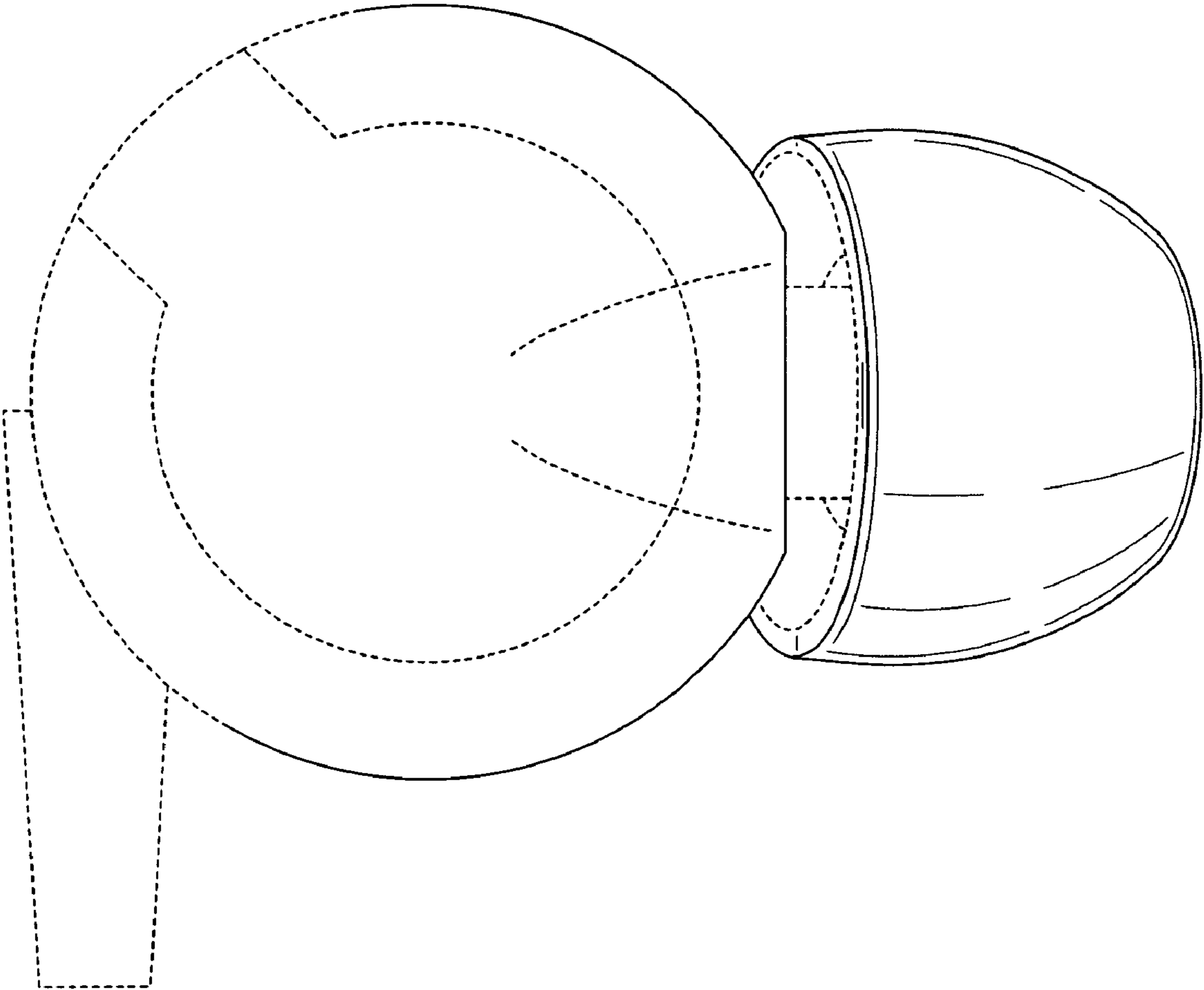


Fig.14

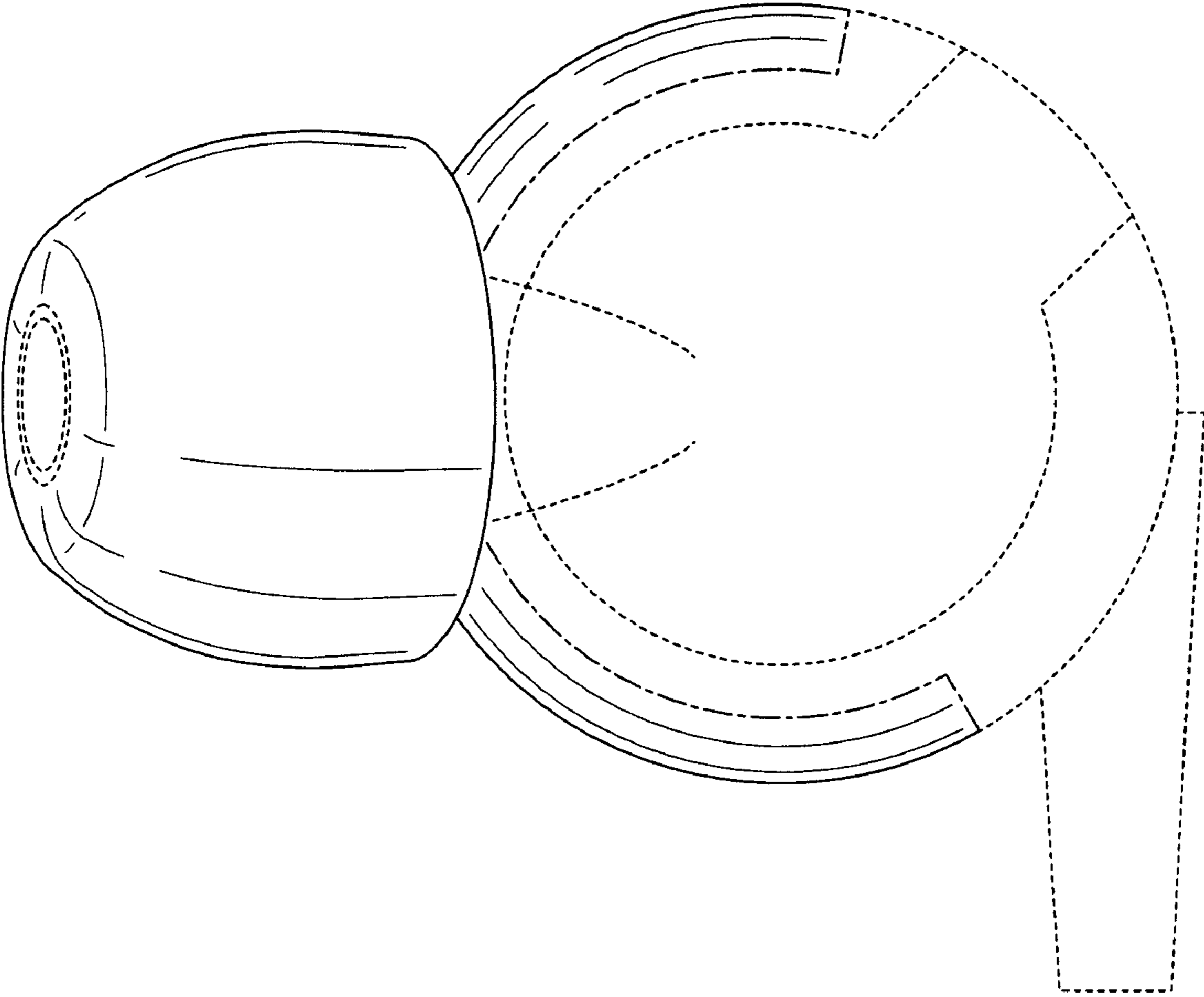


Fig.15

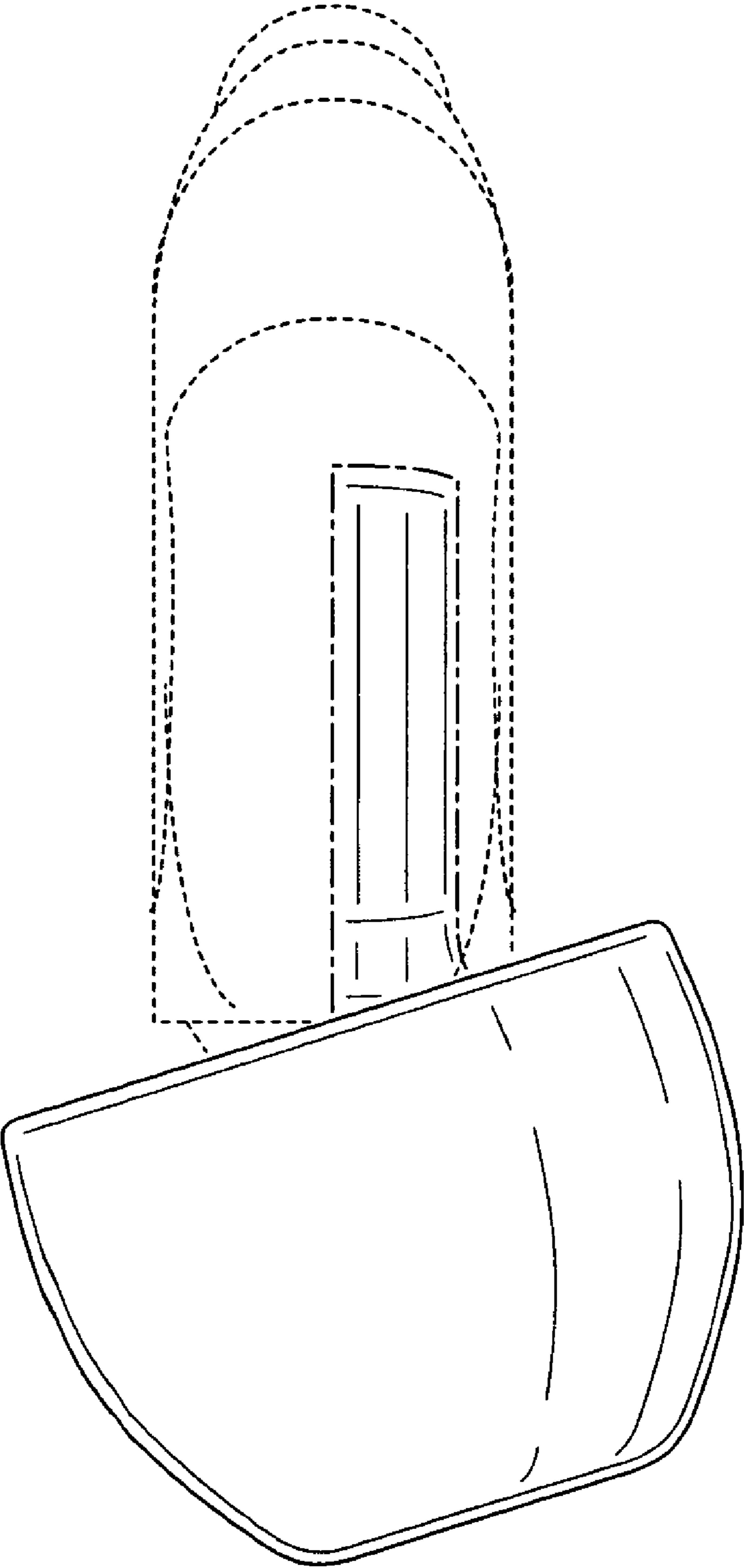


Fig.16

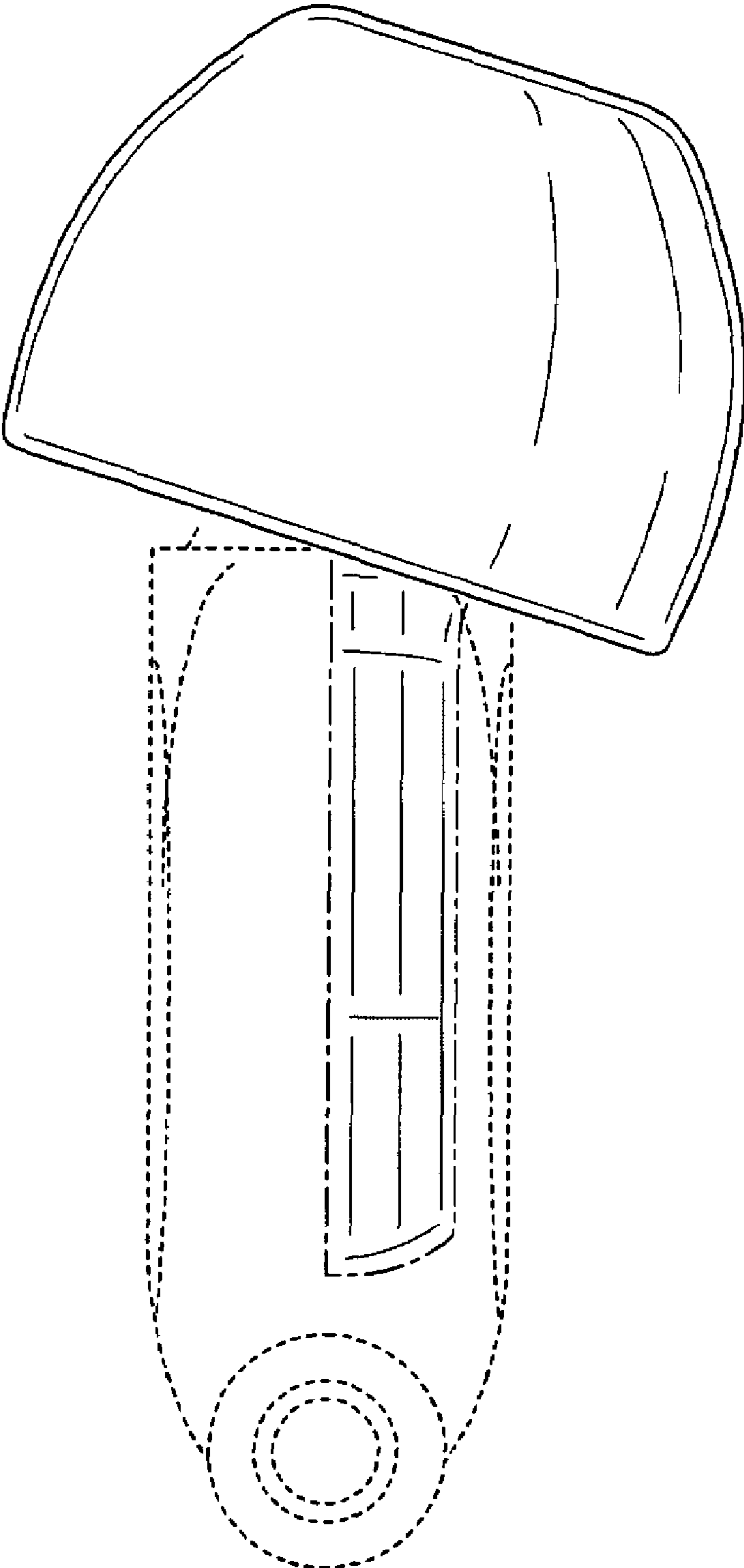


Fig.17

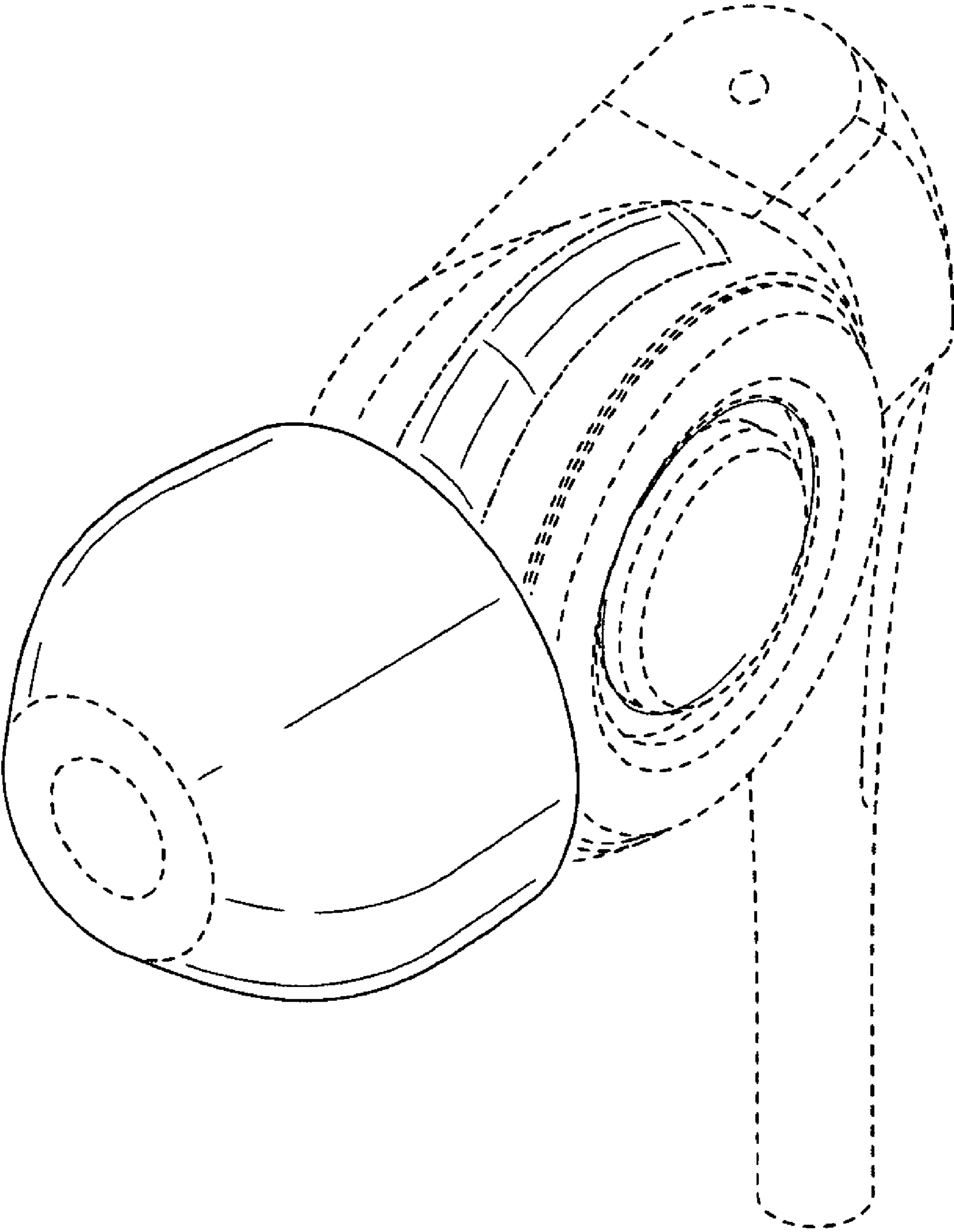


Fig.18

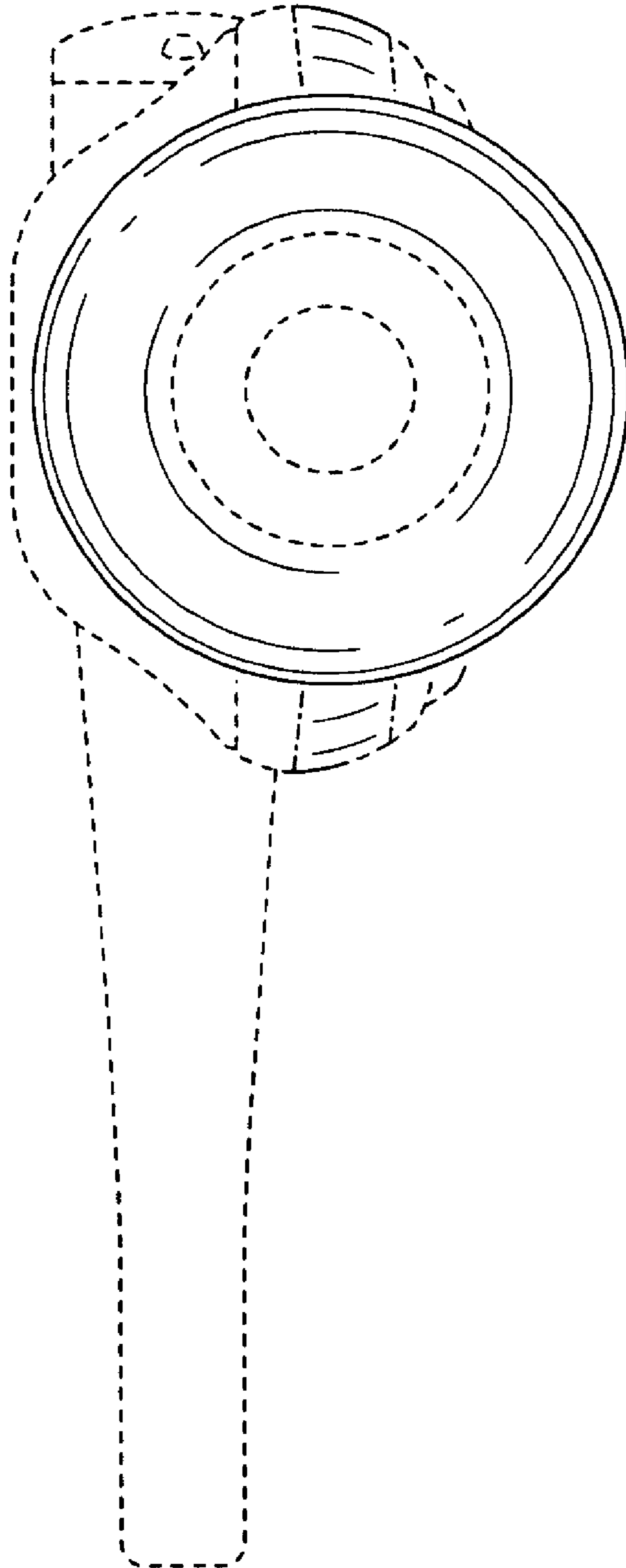


Fig.19

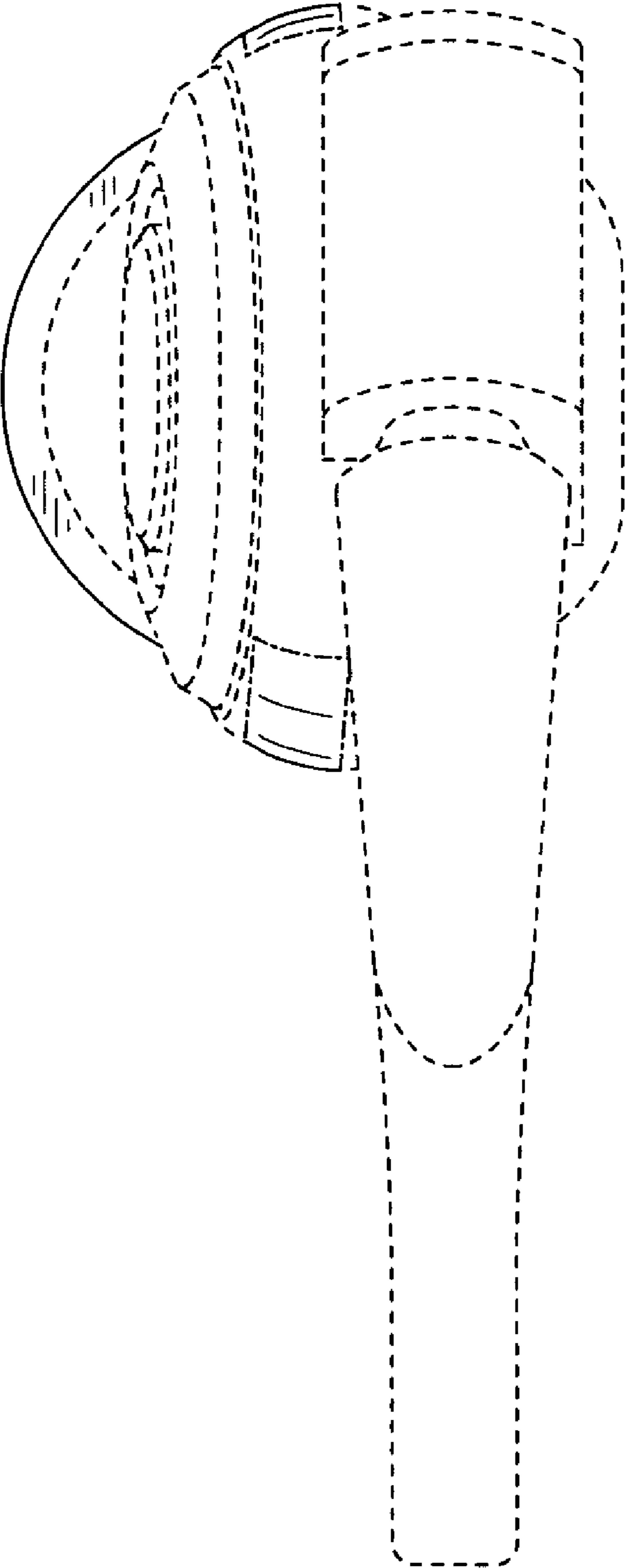


Fig.20

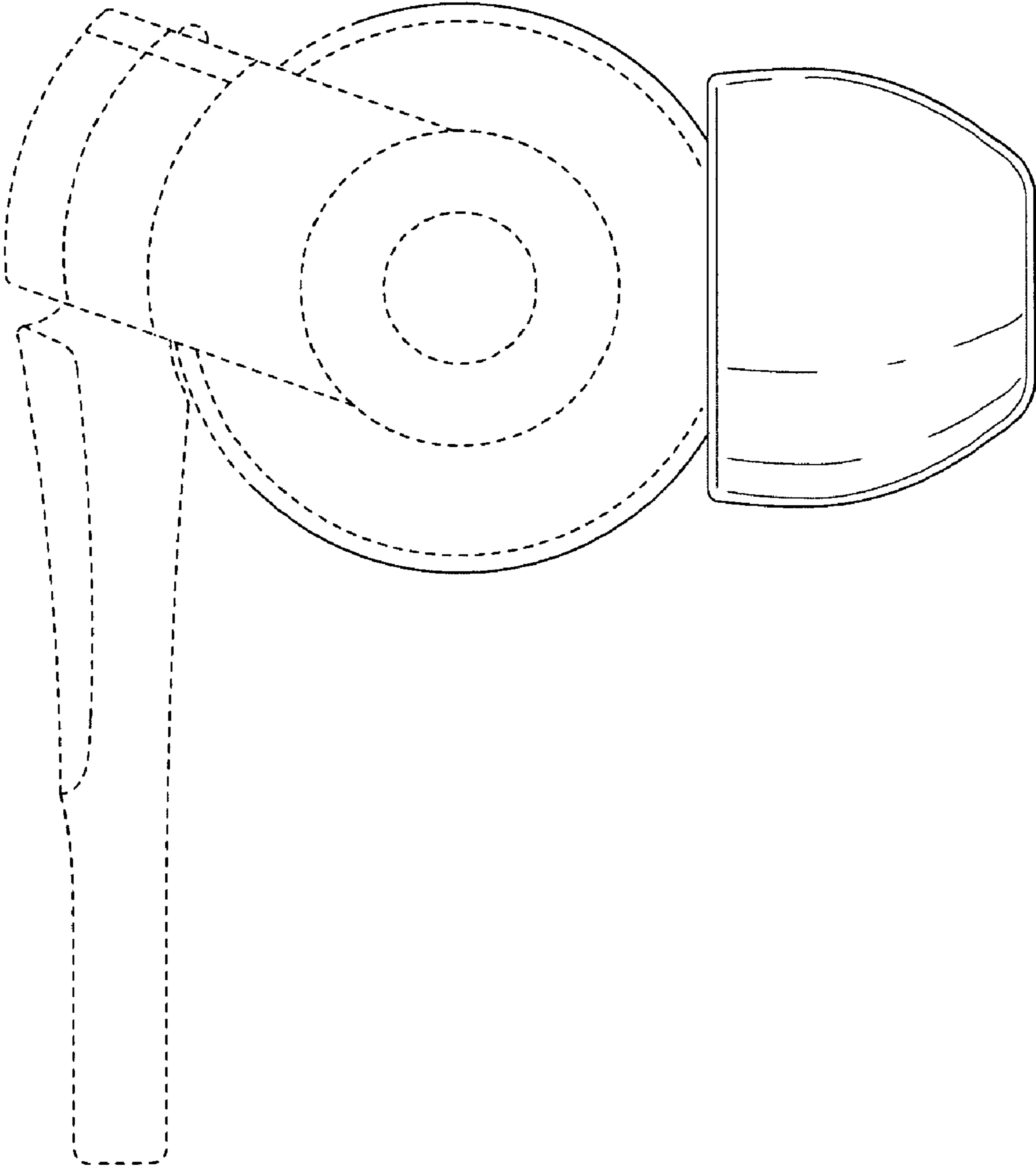


Fig.21

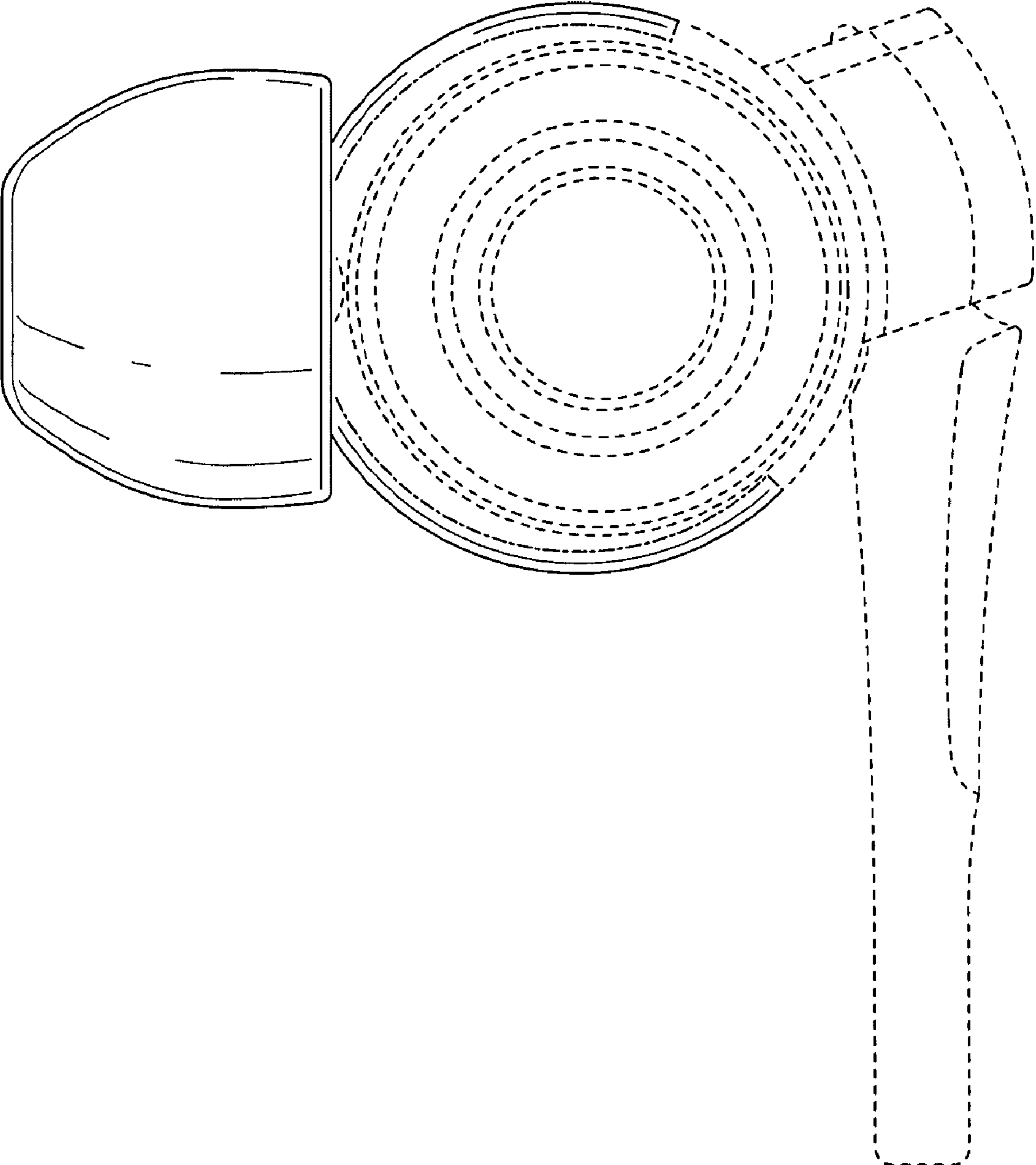


Fig.22

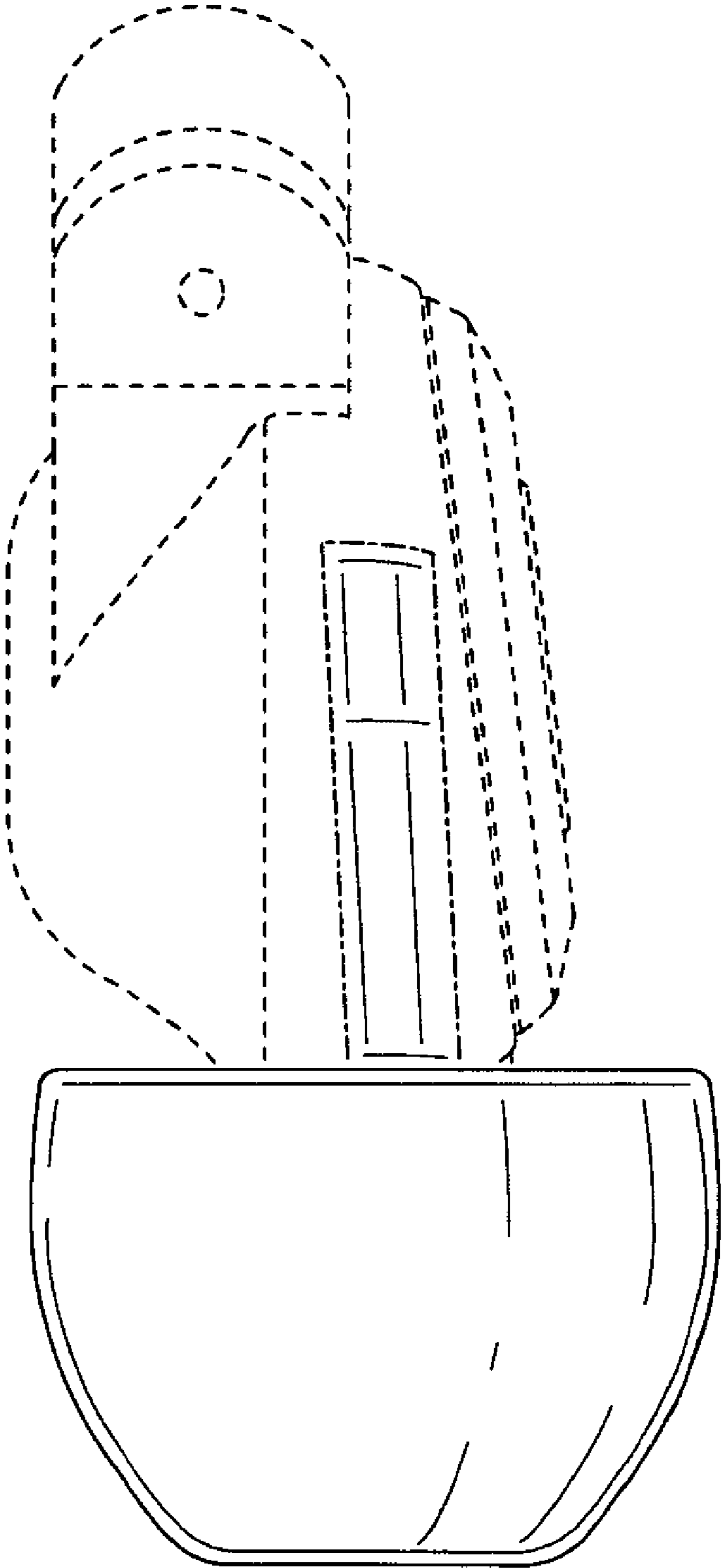


Fig.23

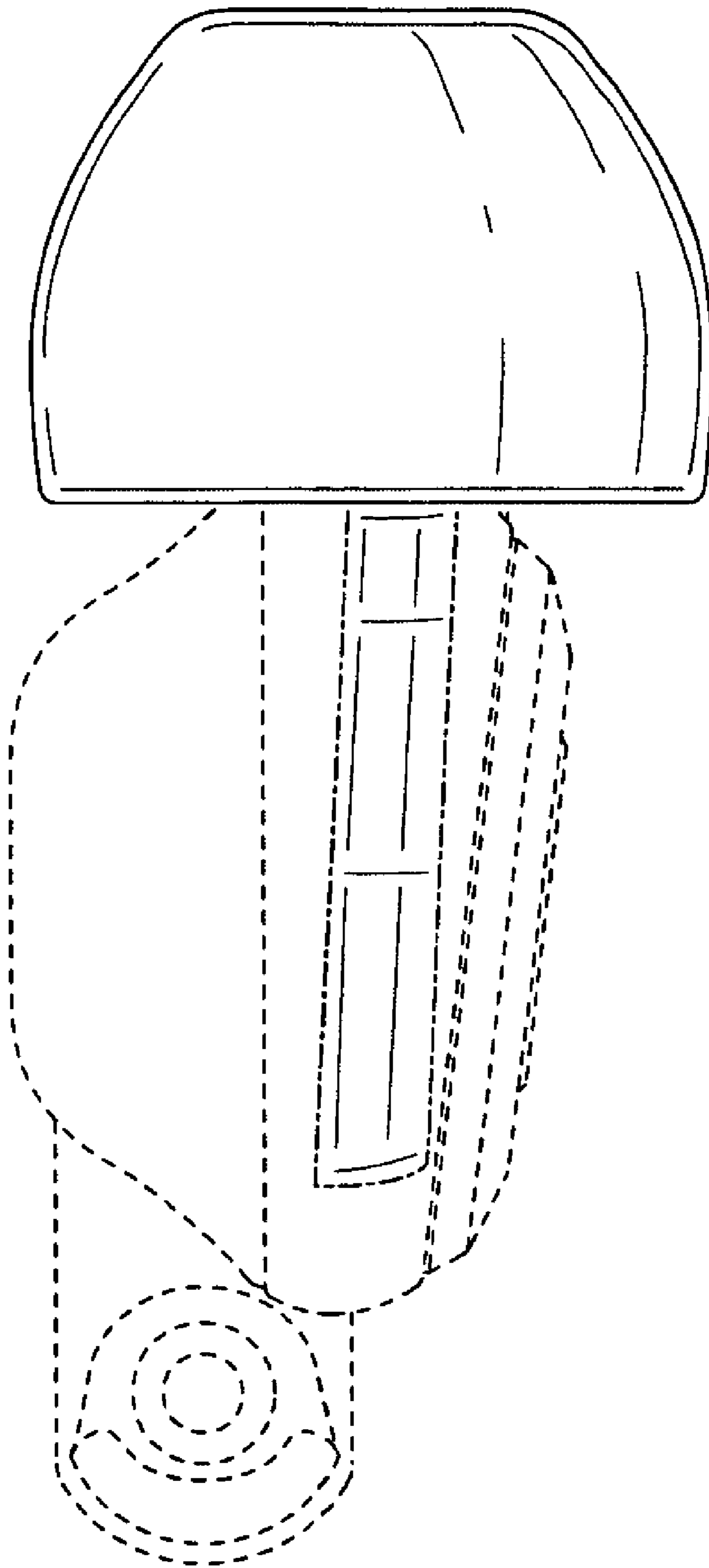


Fig.24

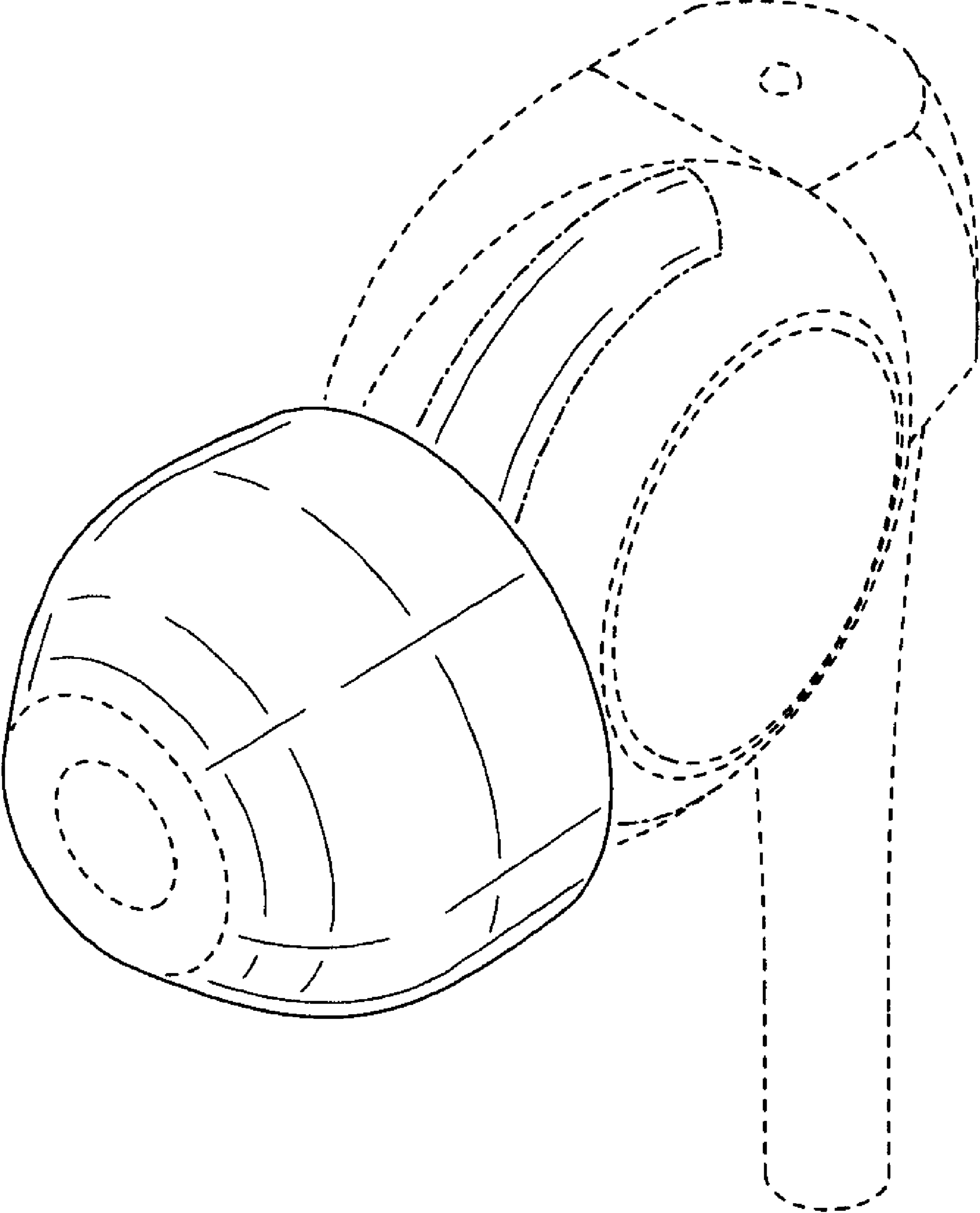


Fig.25

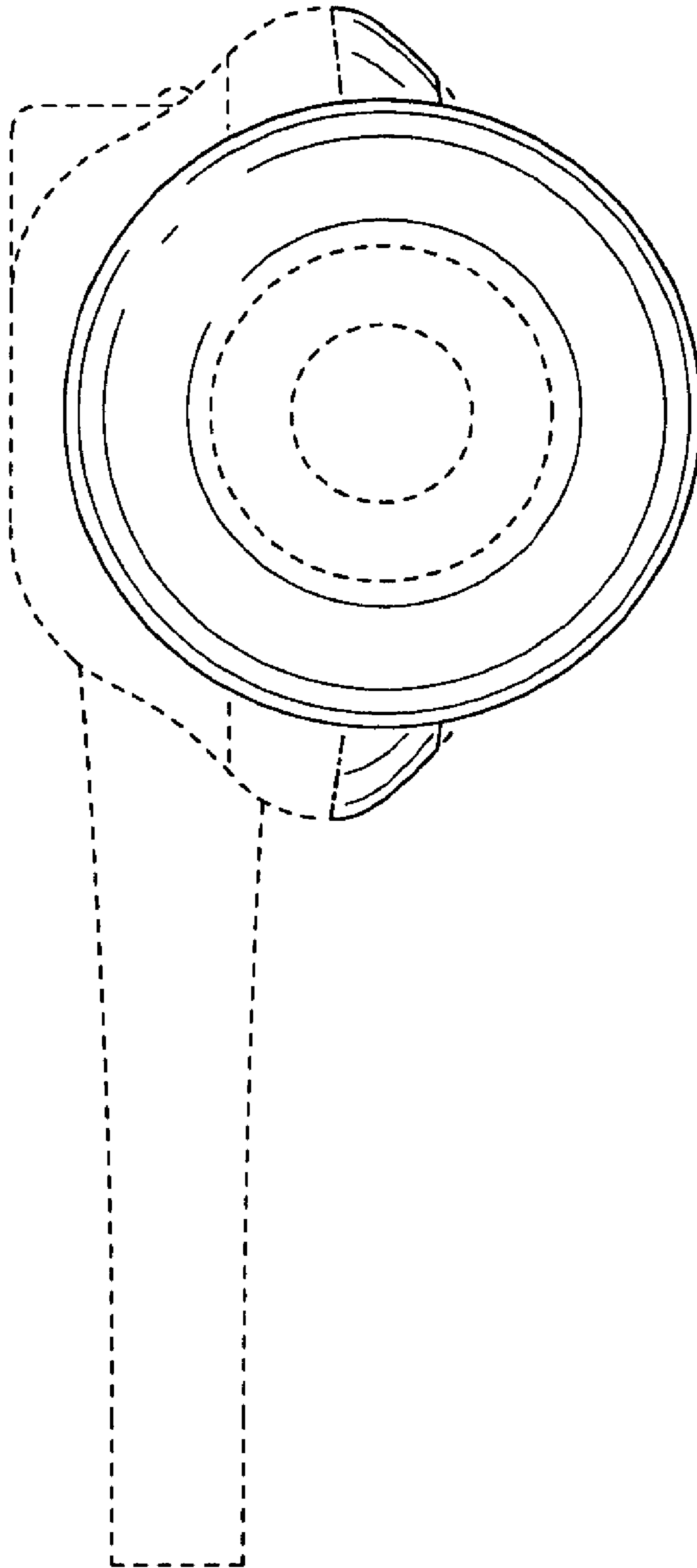


Fig.26

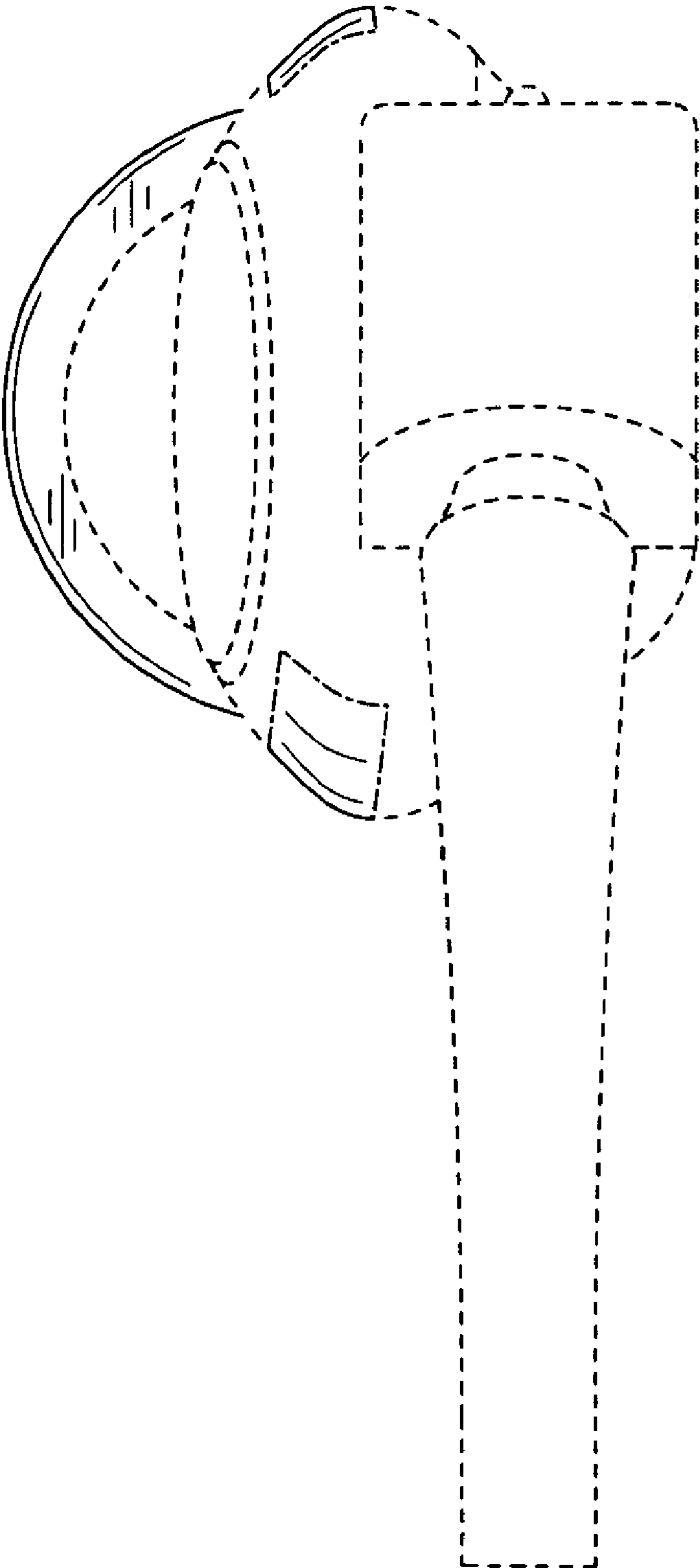


Fig.27

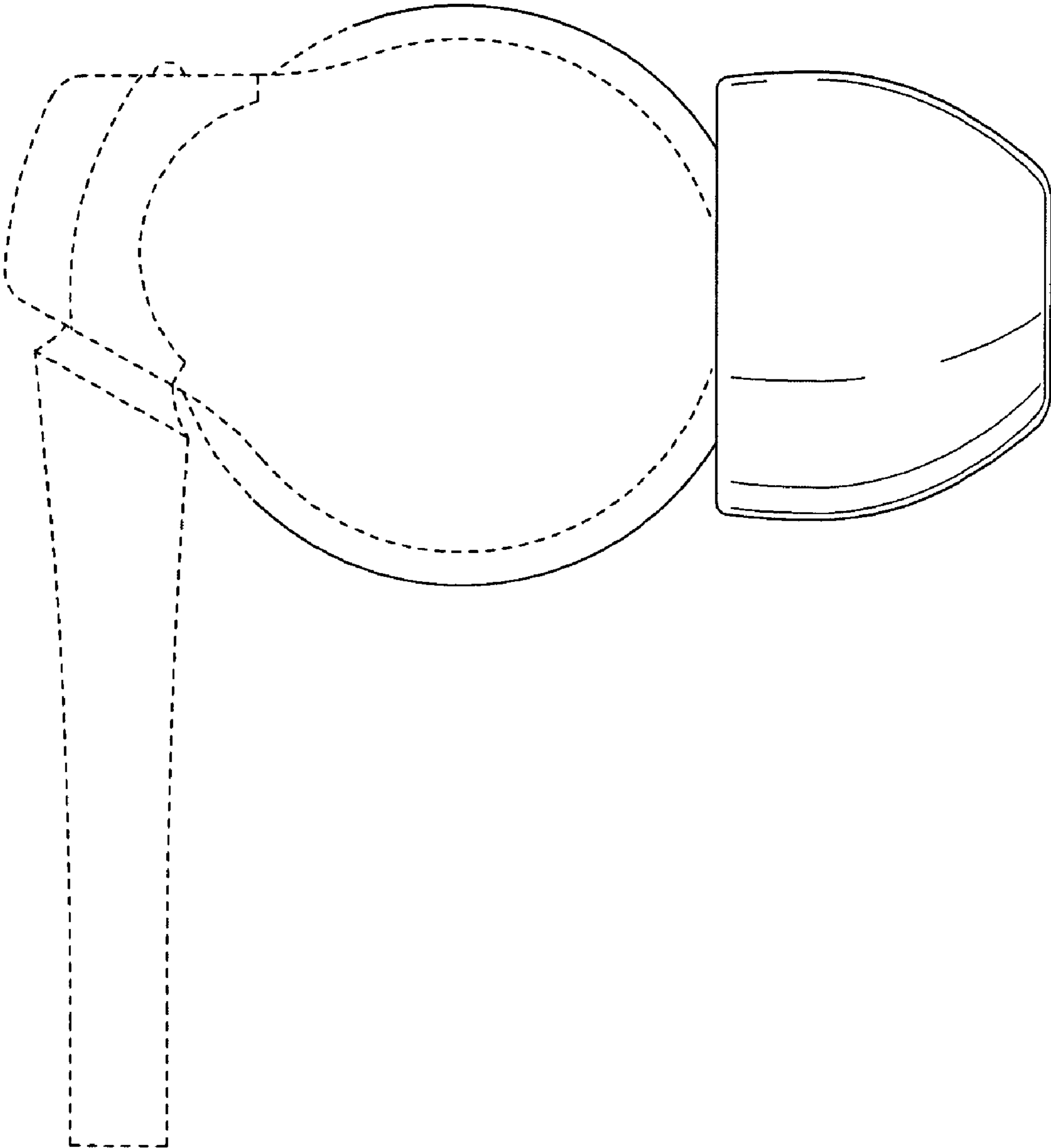


Fig.28

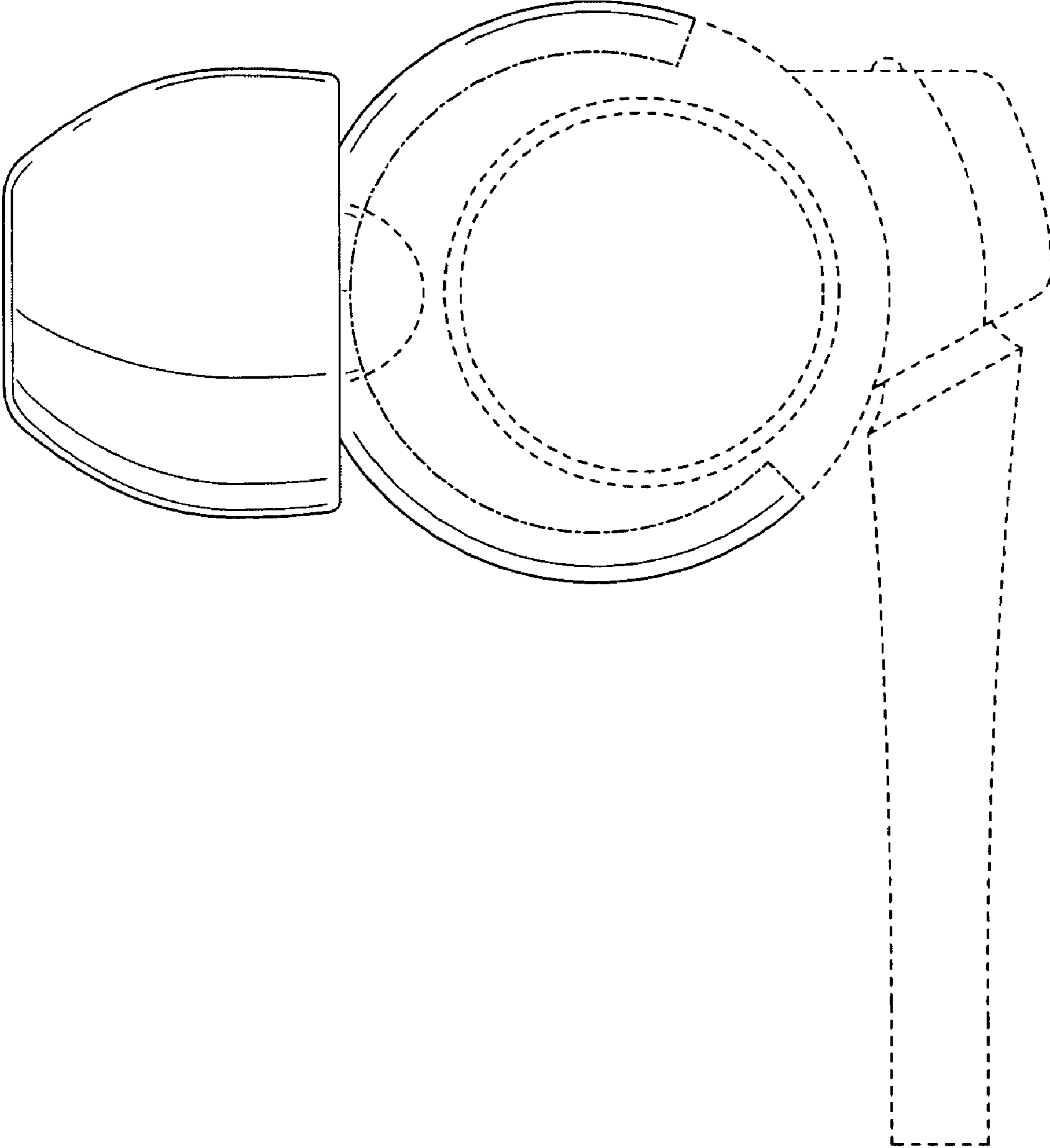


Fig.29

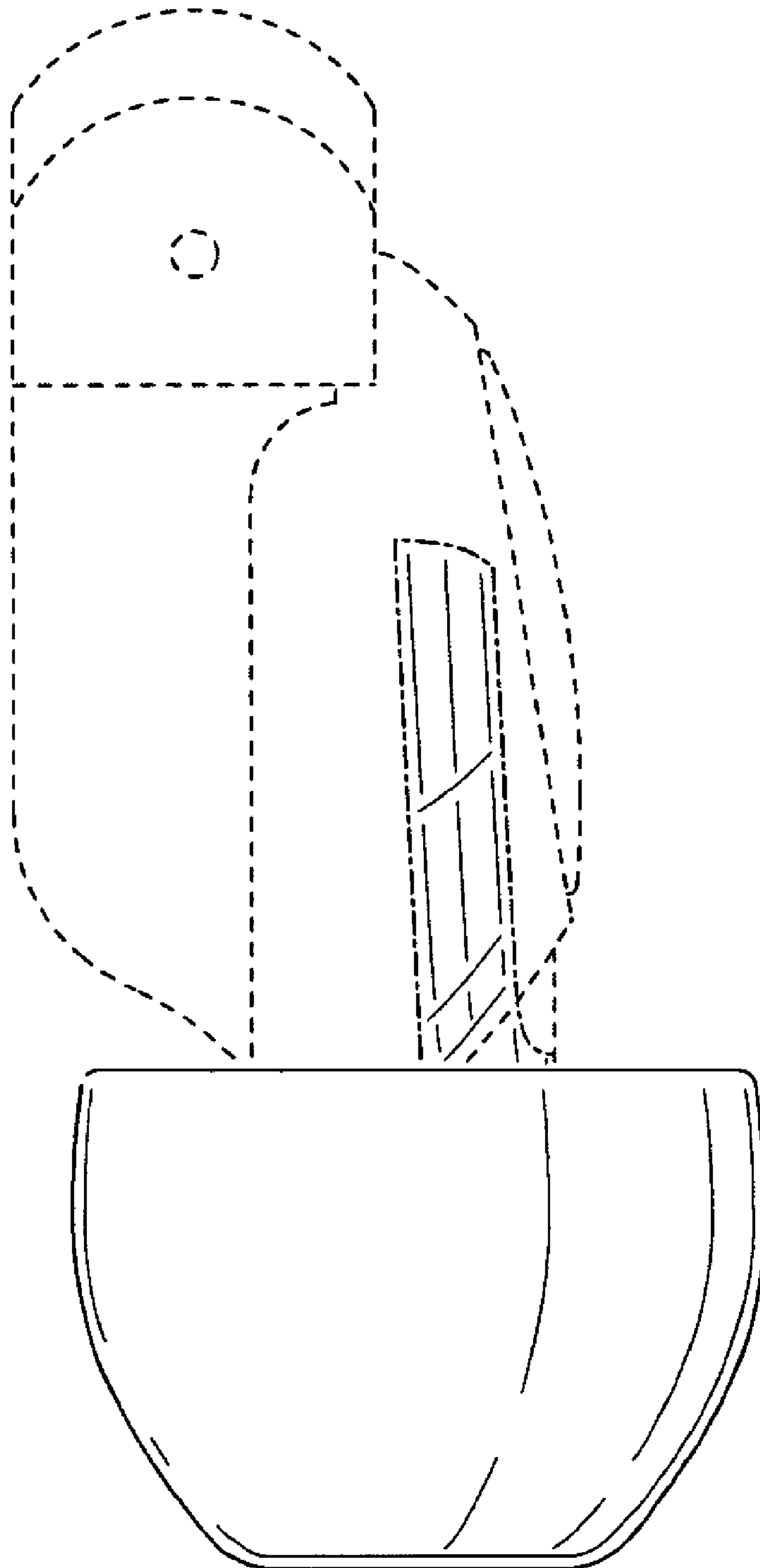


Fig.30

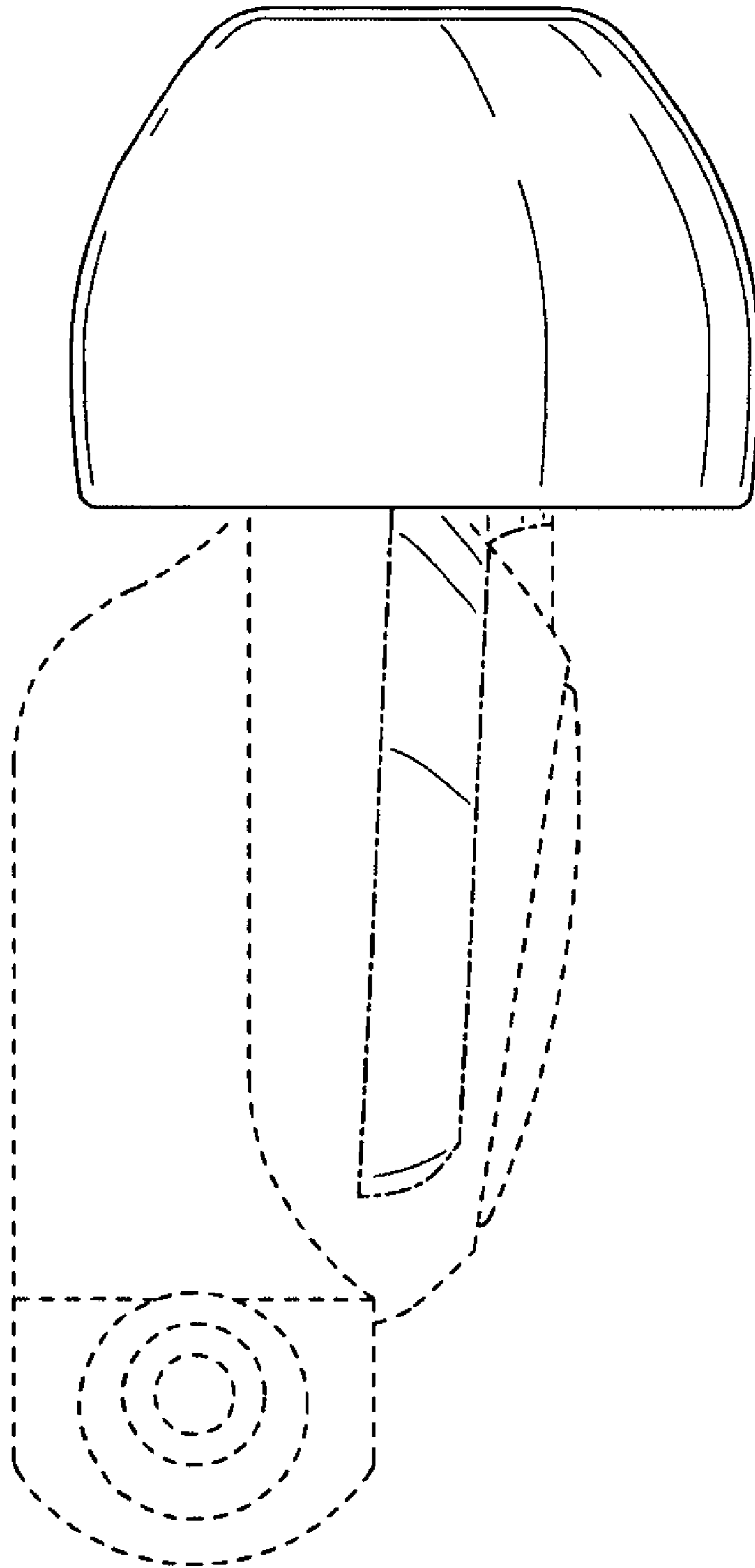


Fig.31

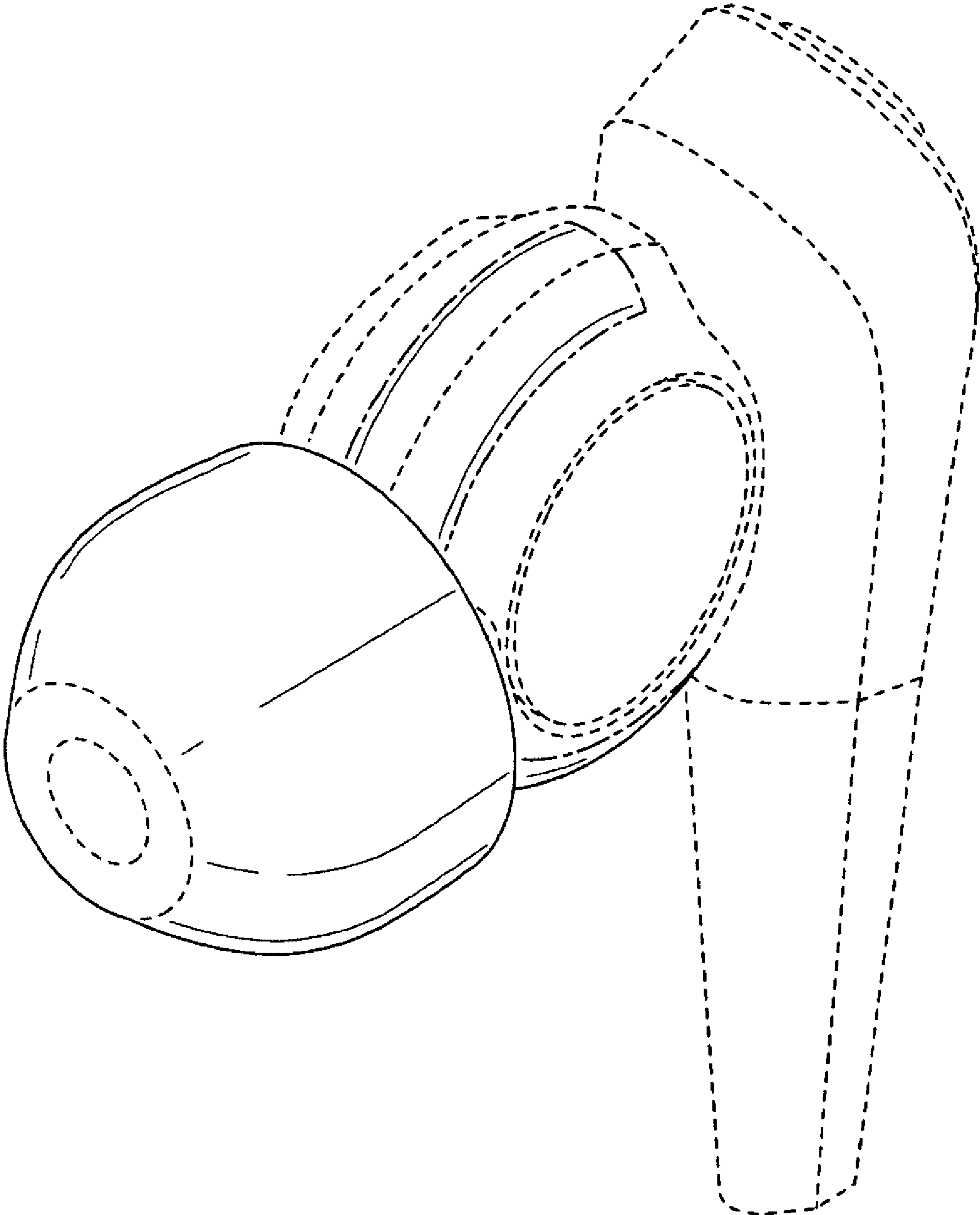


Fig.32

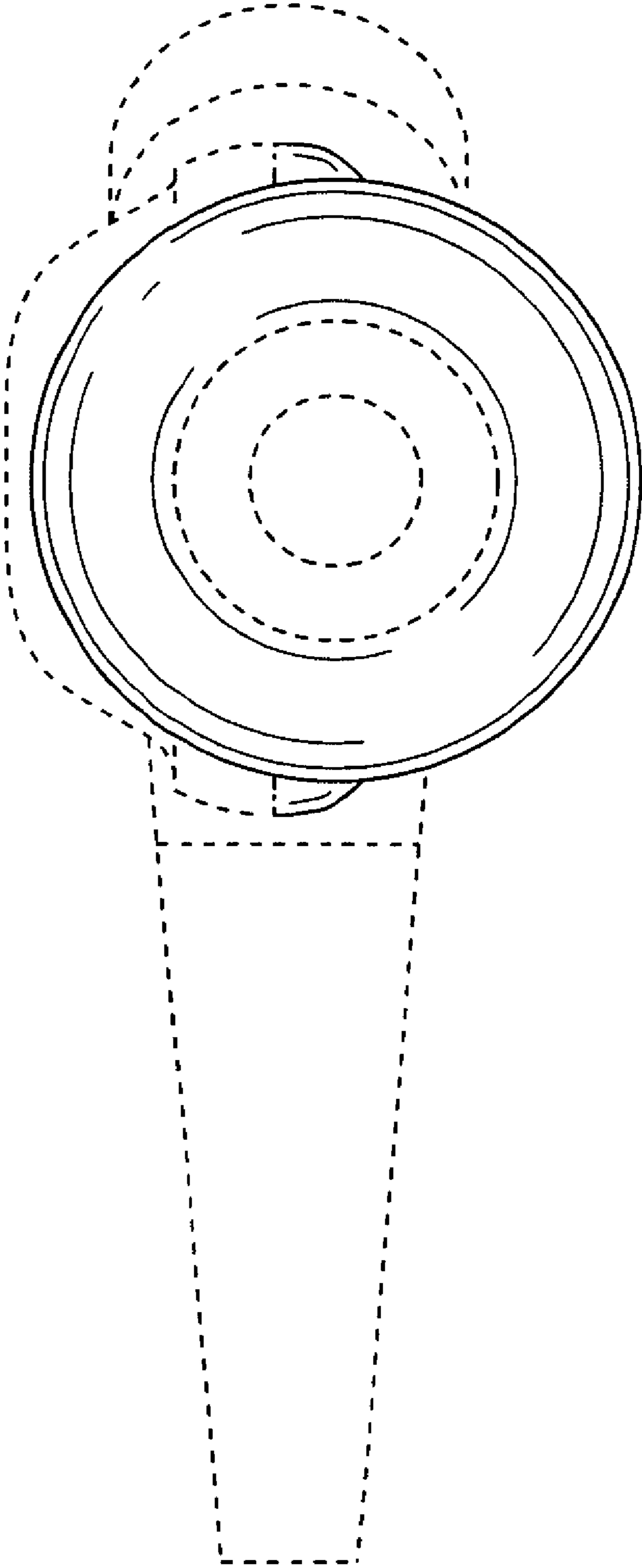


Fig.33

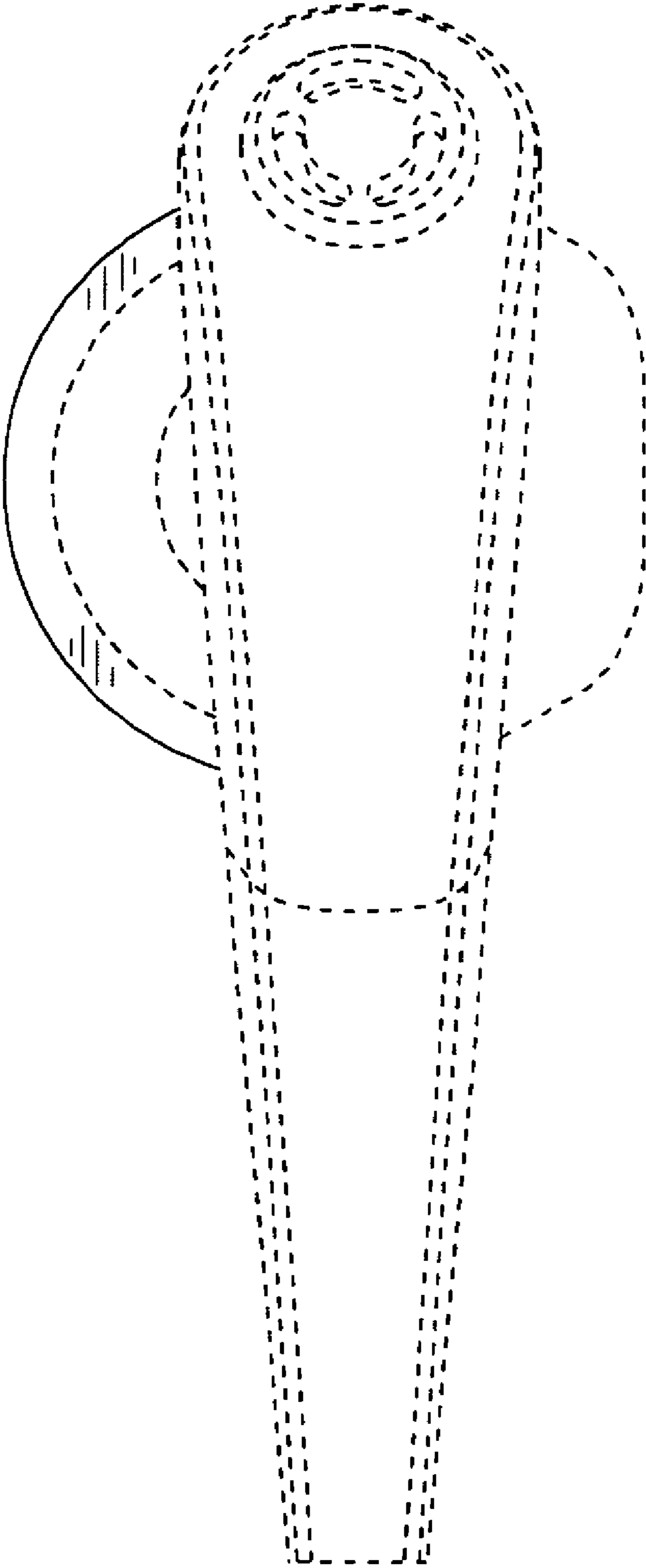


Fig.34

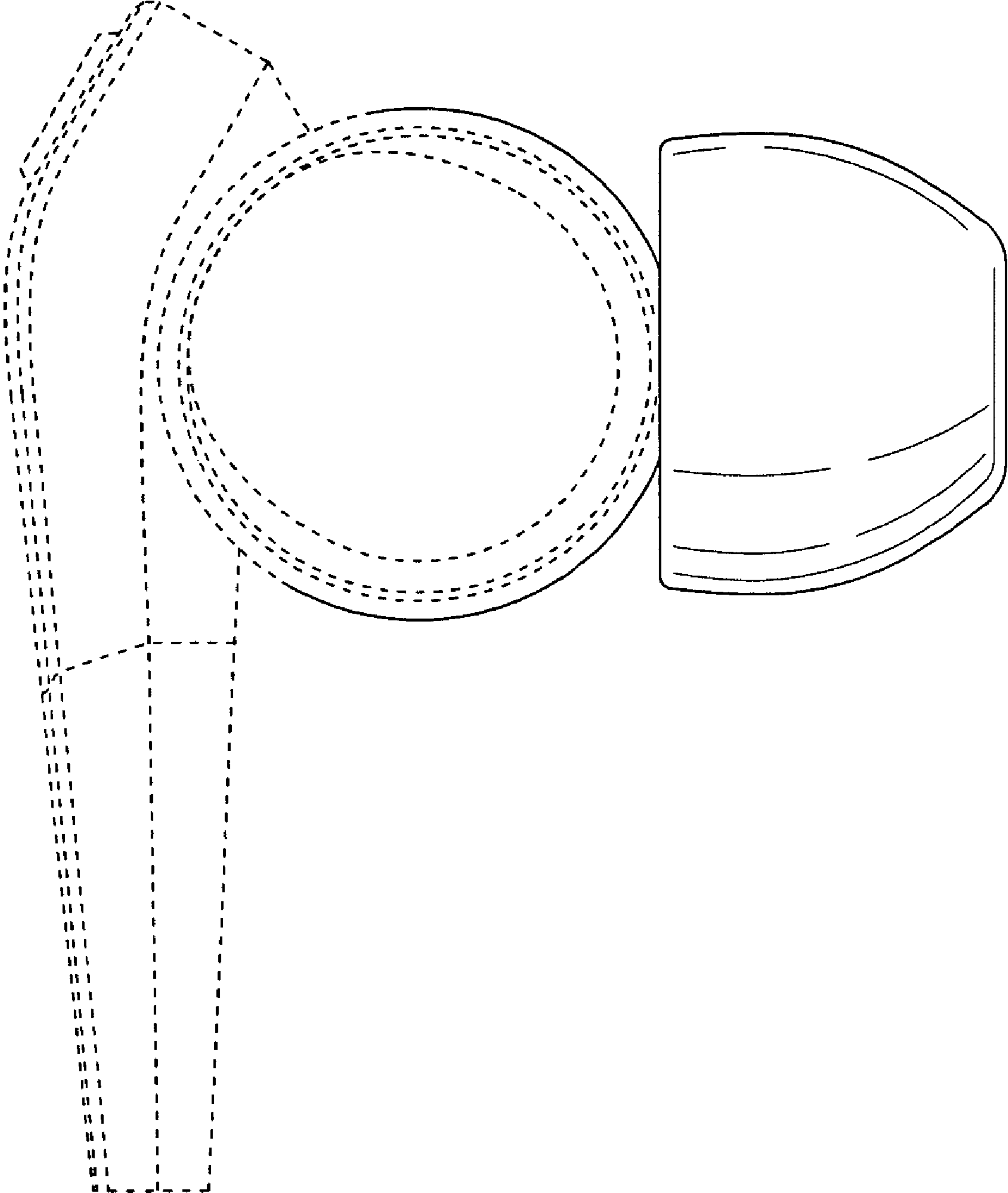


Fig.35

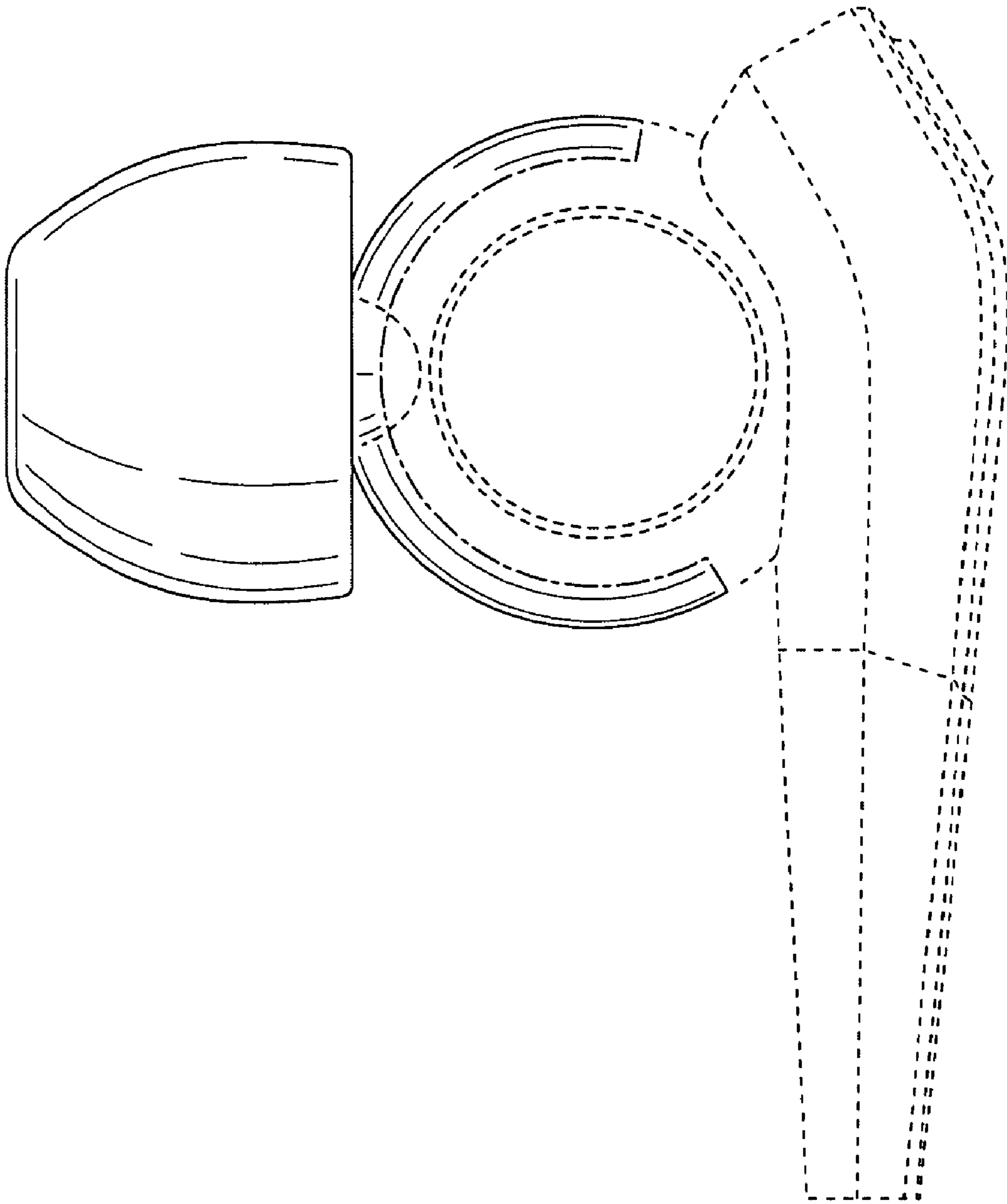


Fig.36

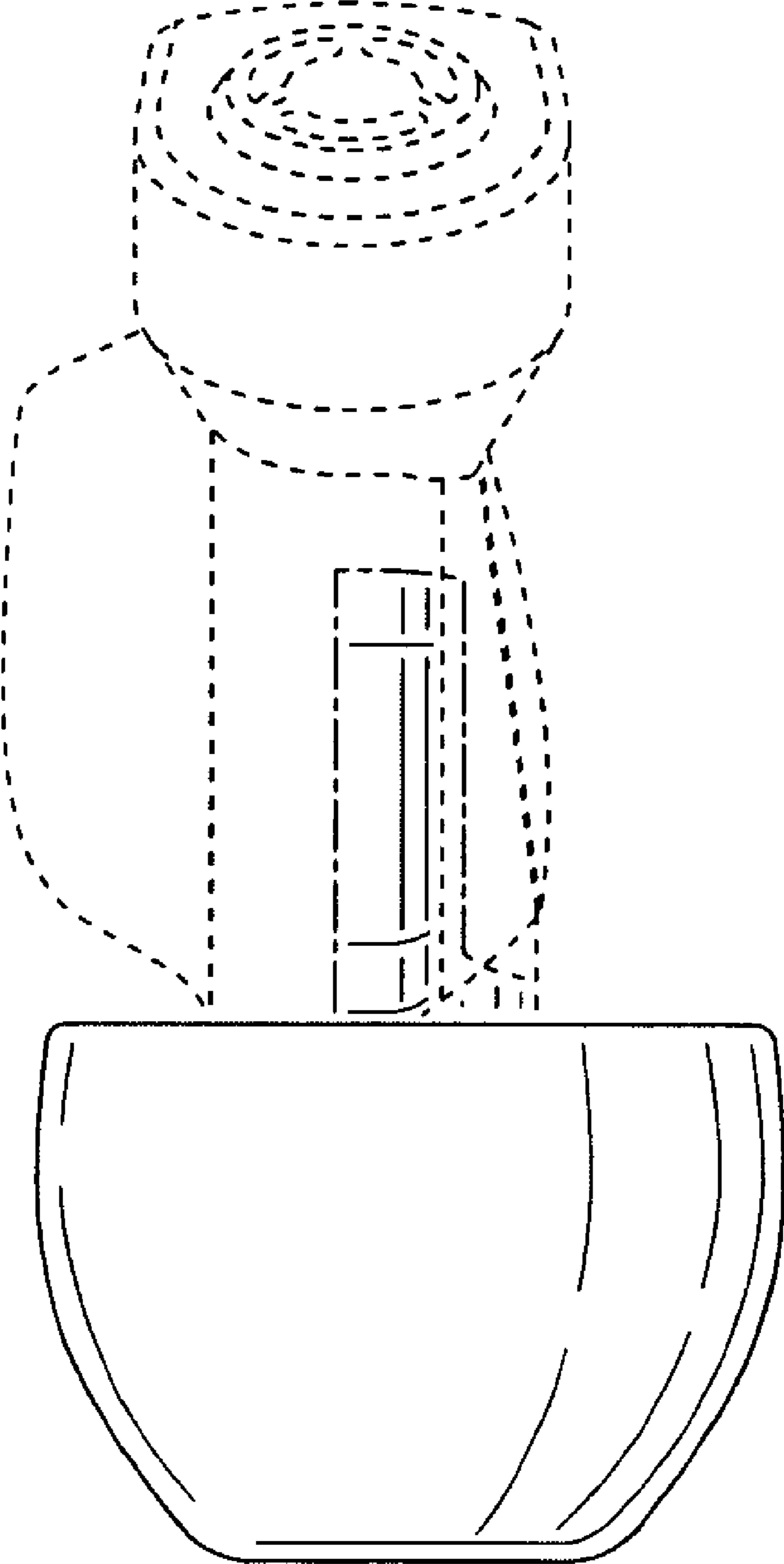


Fig.37

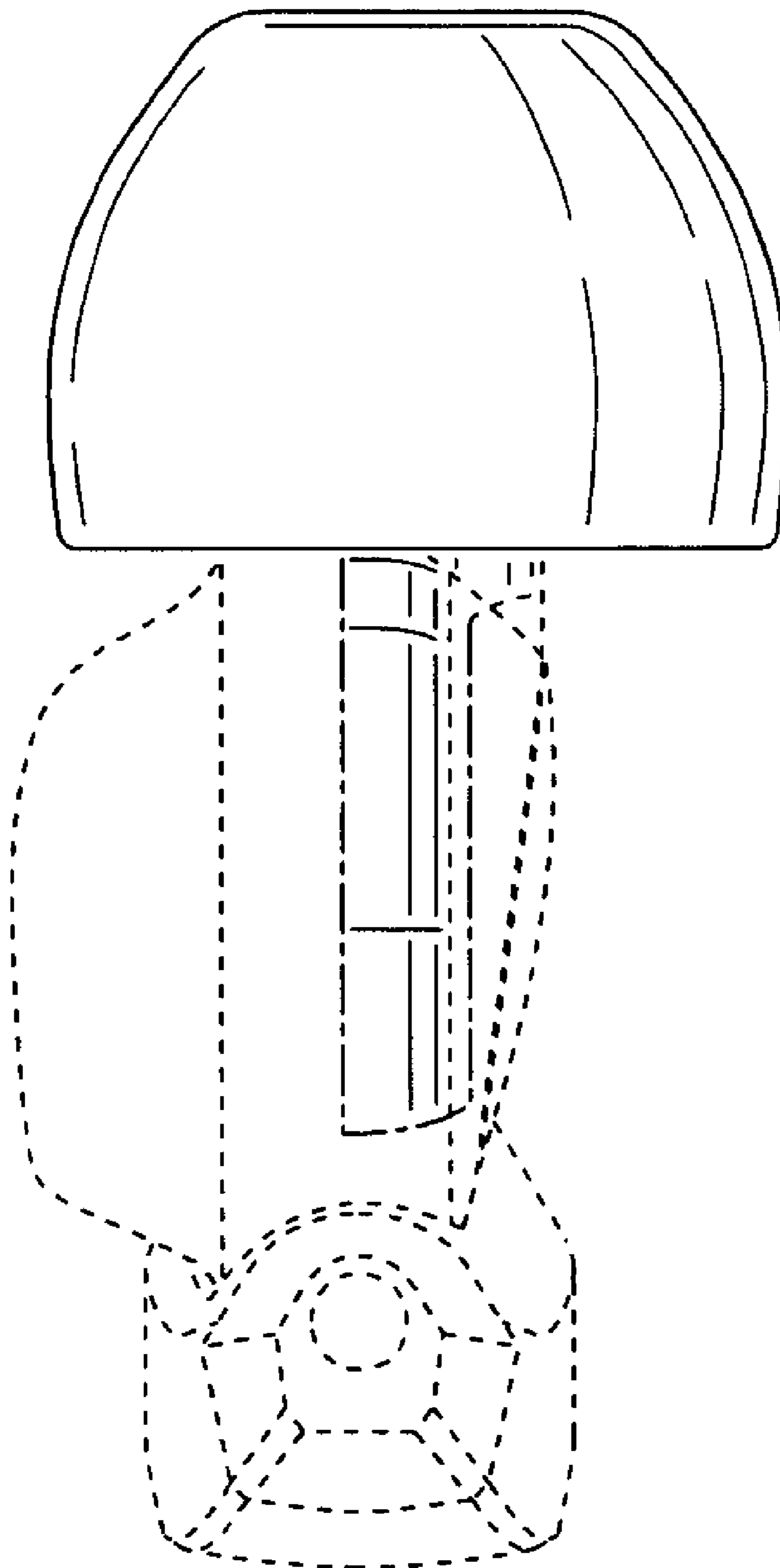


Fig.38

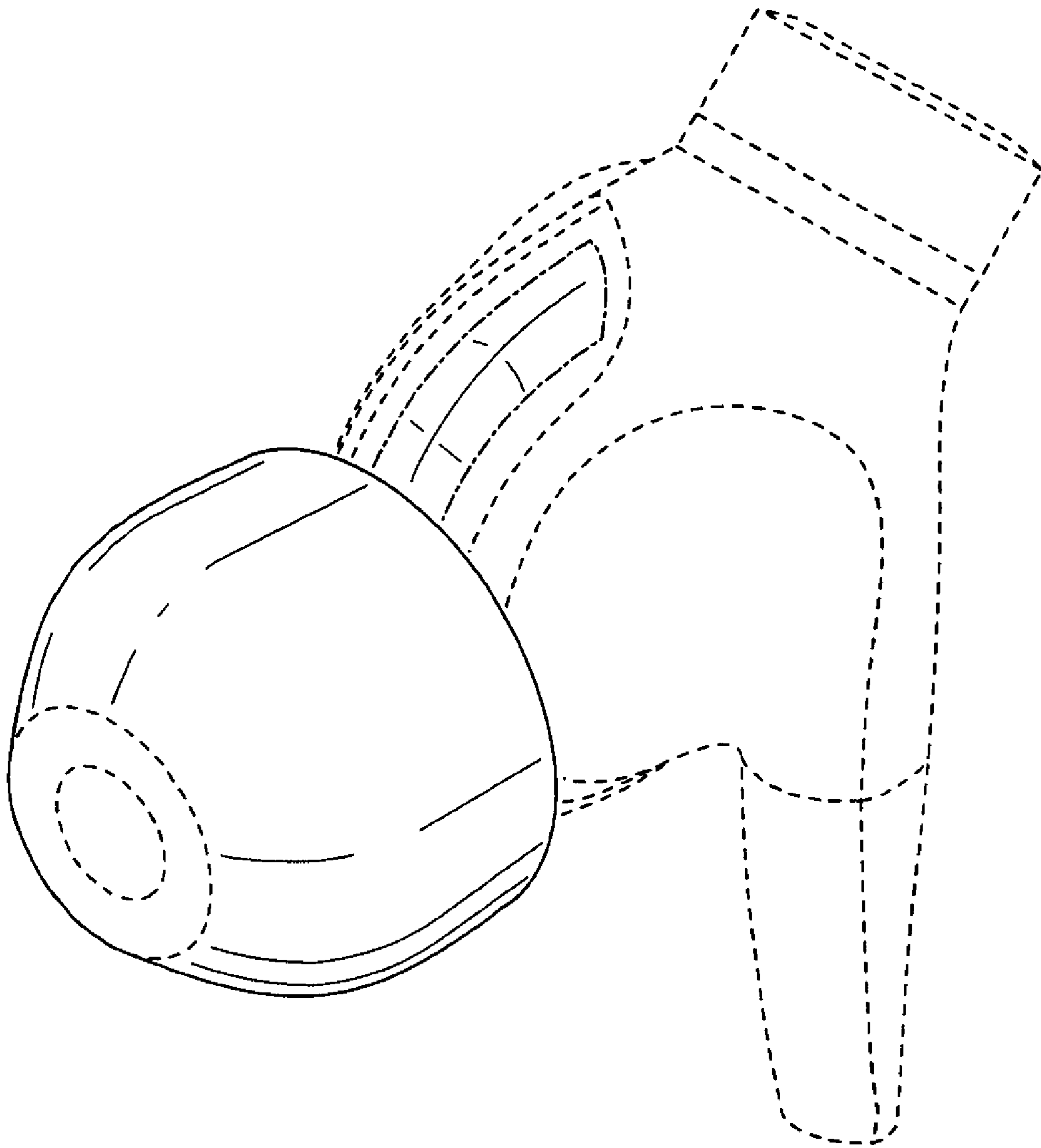


Fig.39

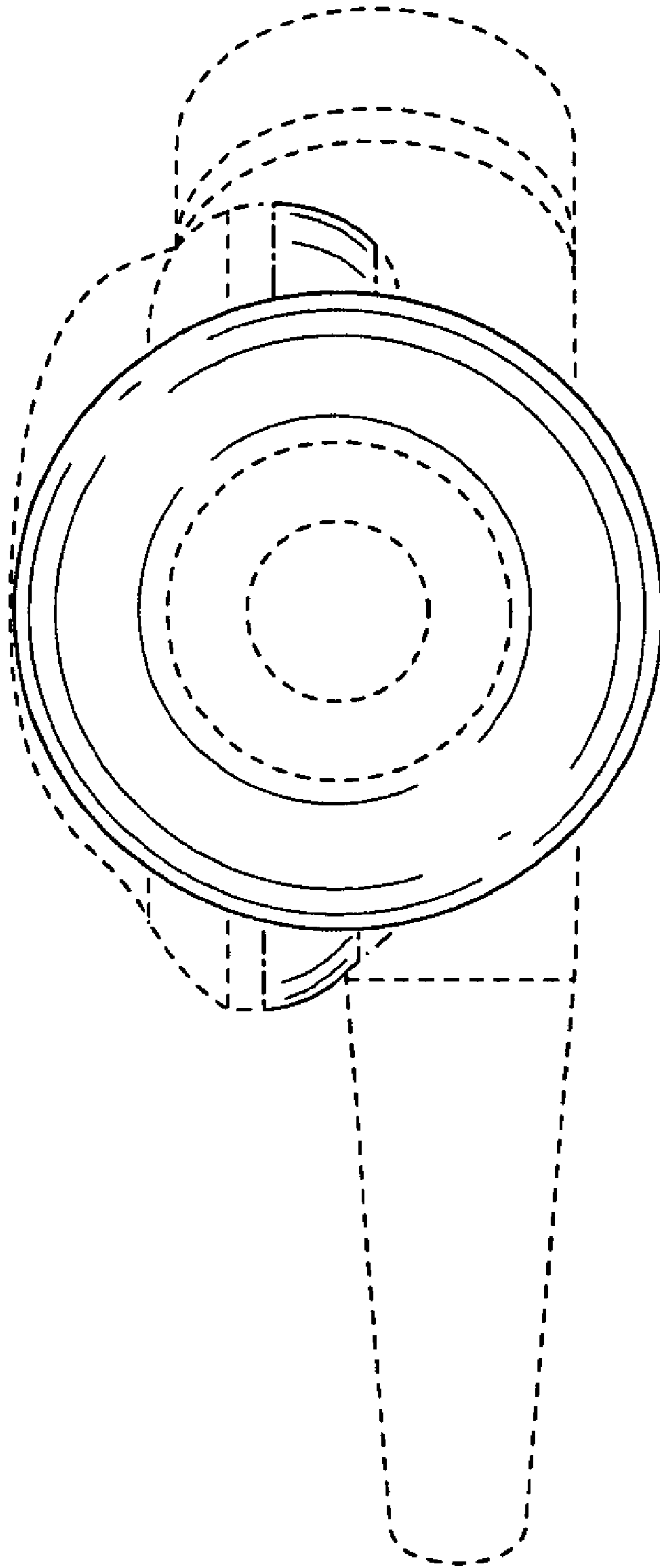


Fig.40

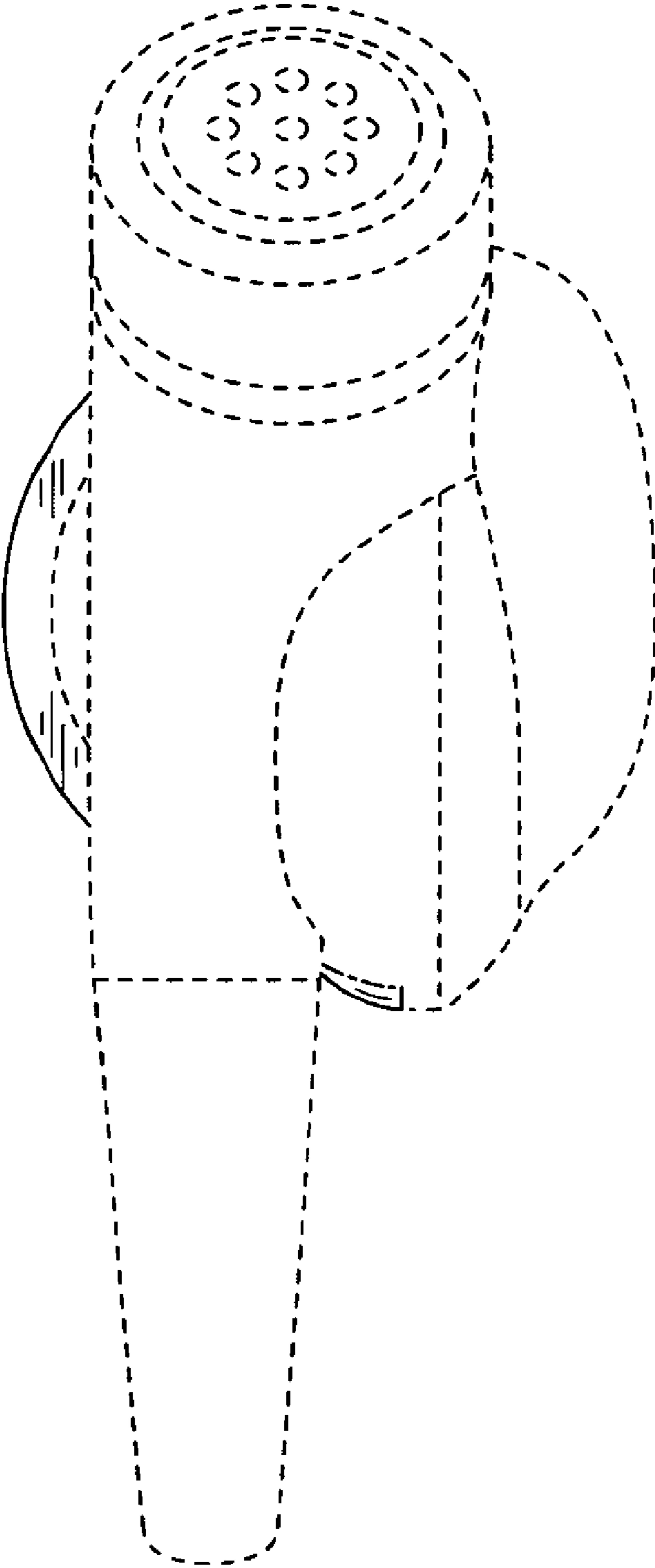


Fig.41

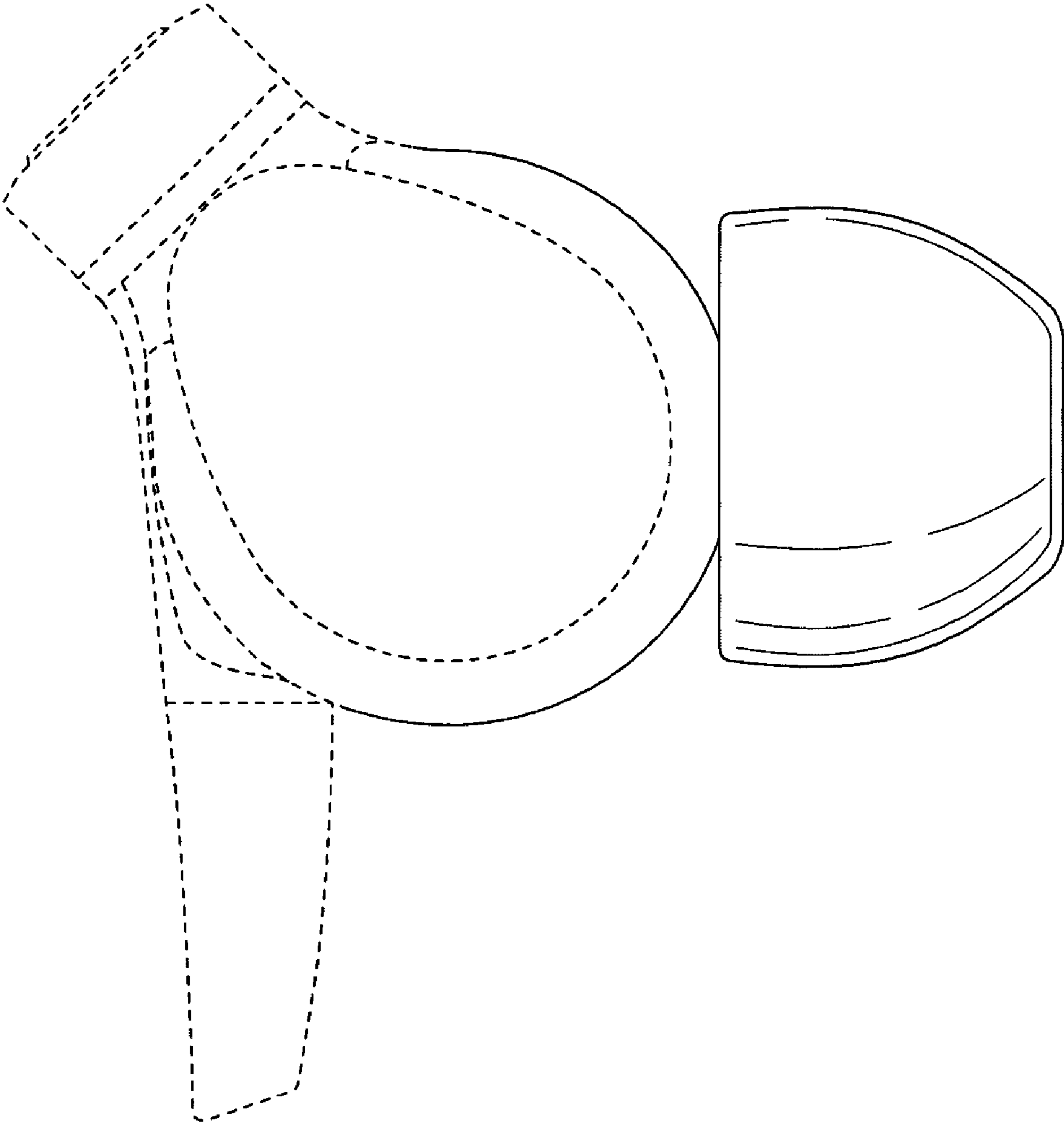


Fig.42

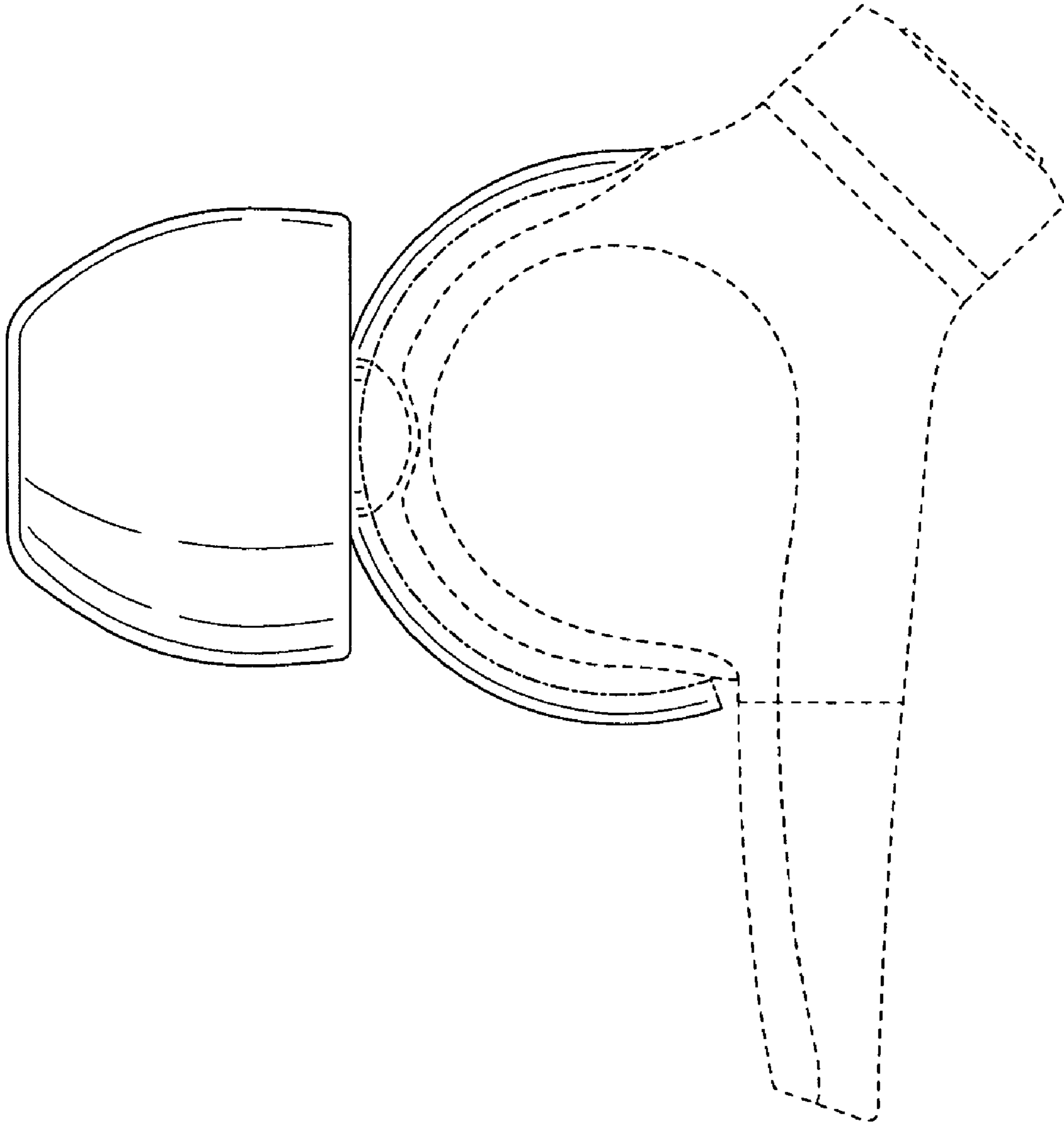


Fig.43

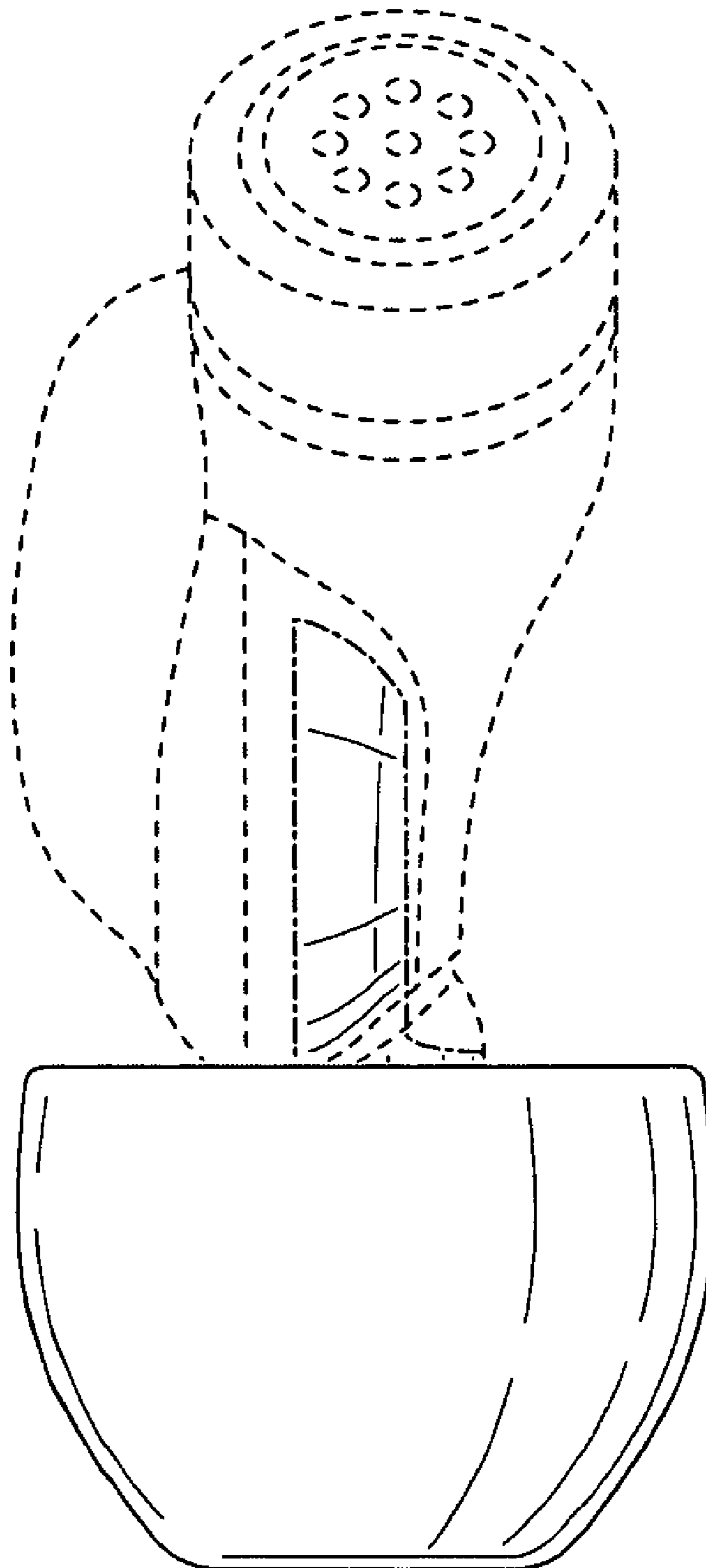


Fig.44

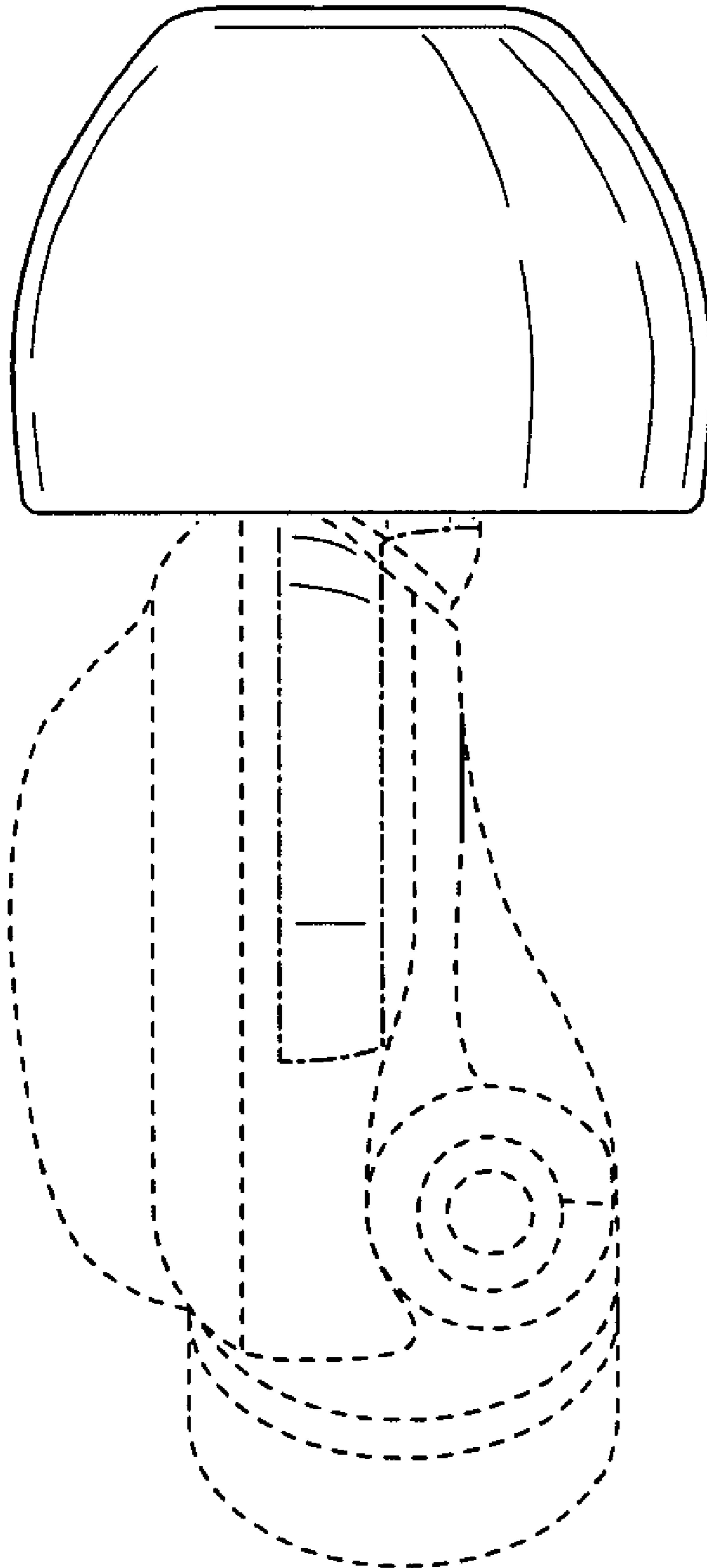


Fig.45

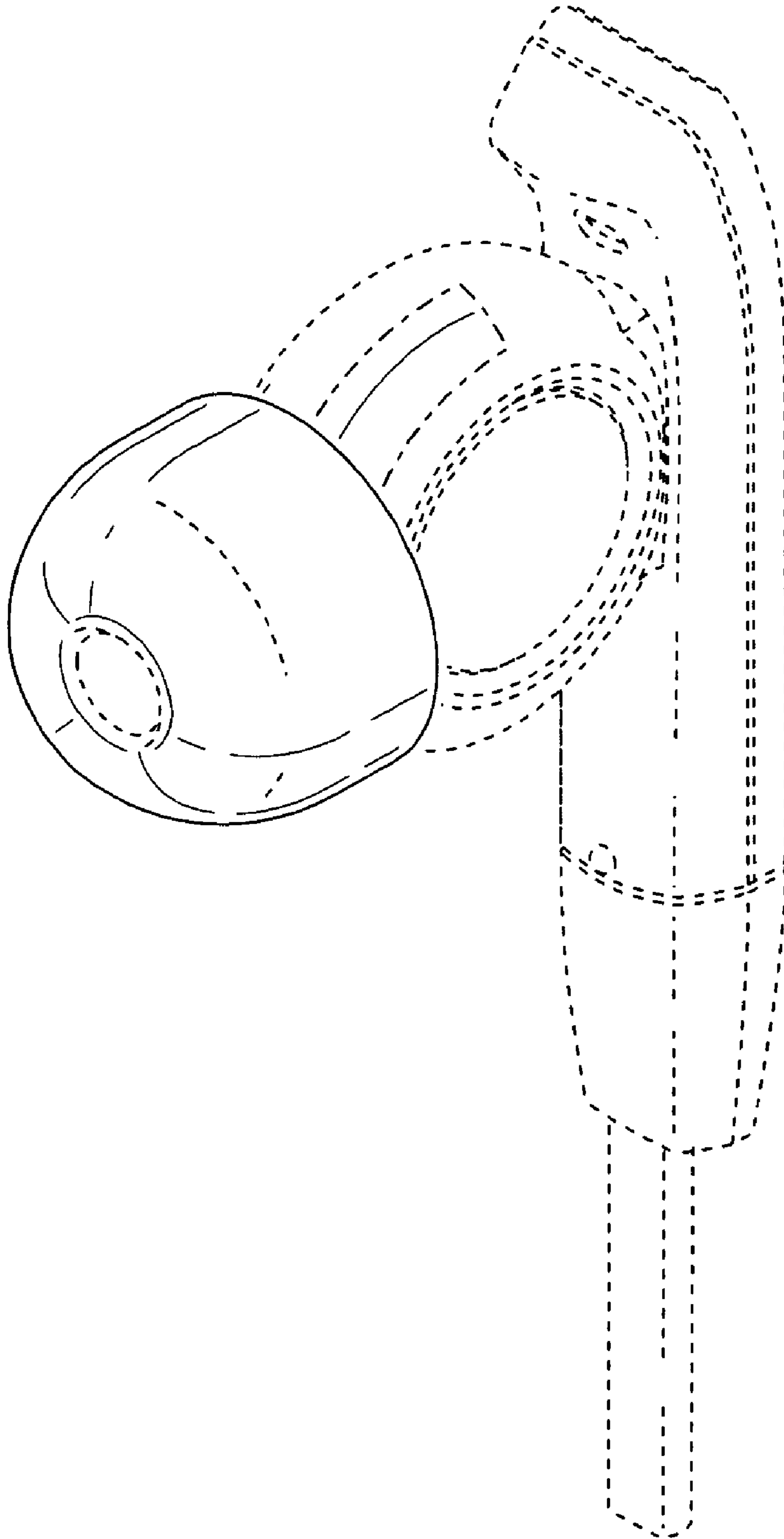


Fig.46

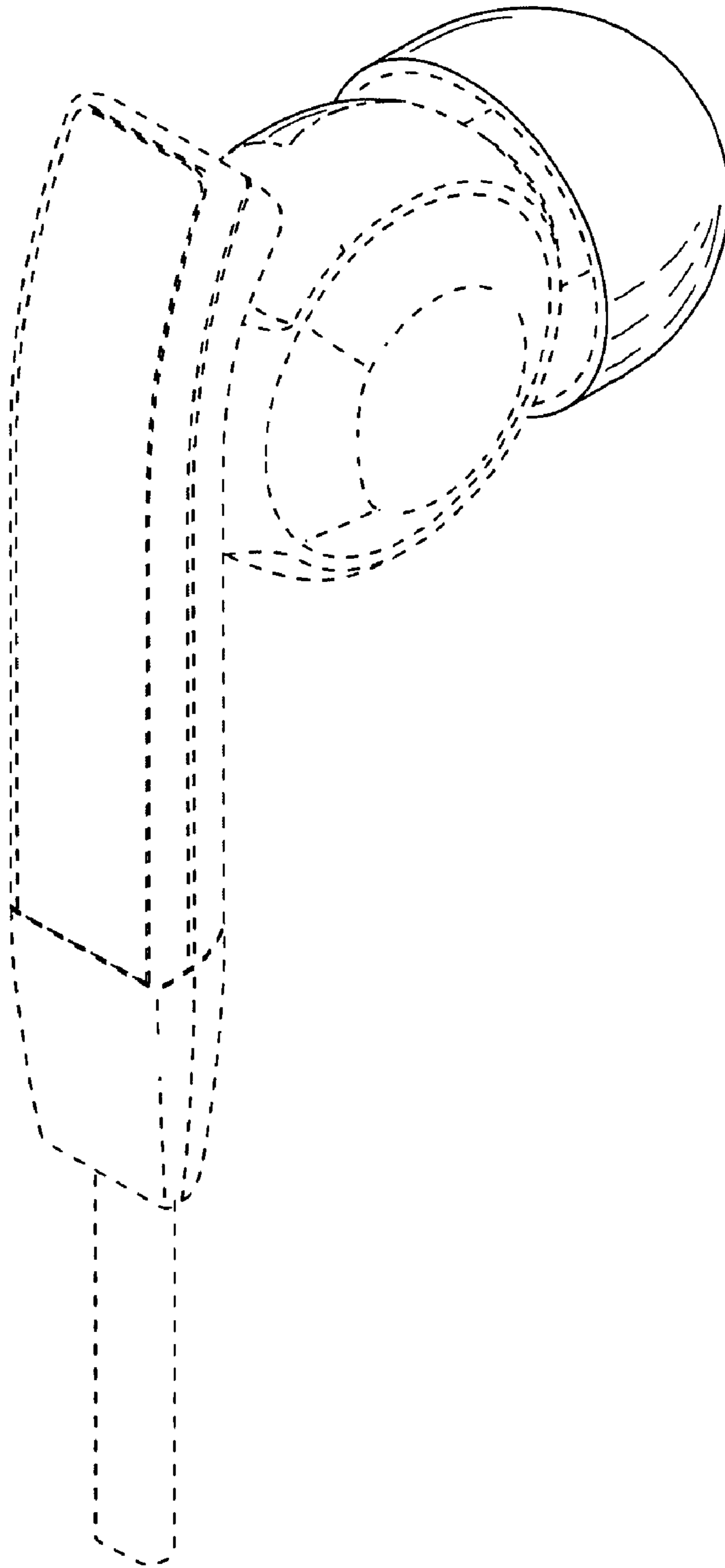


Fig.47

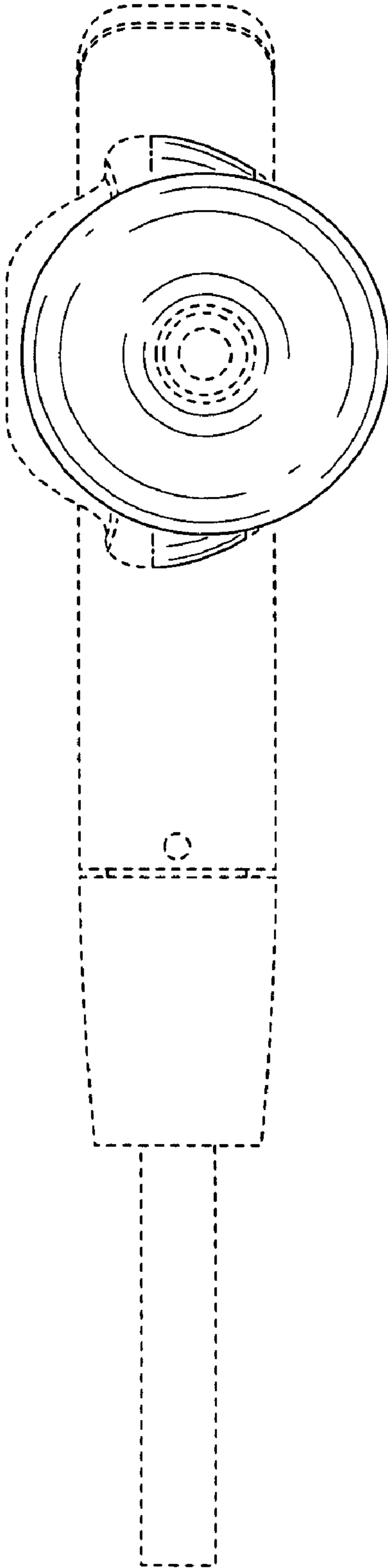


Fig.48

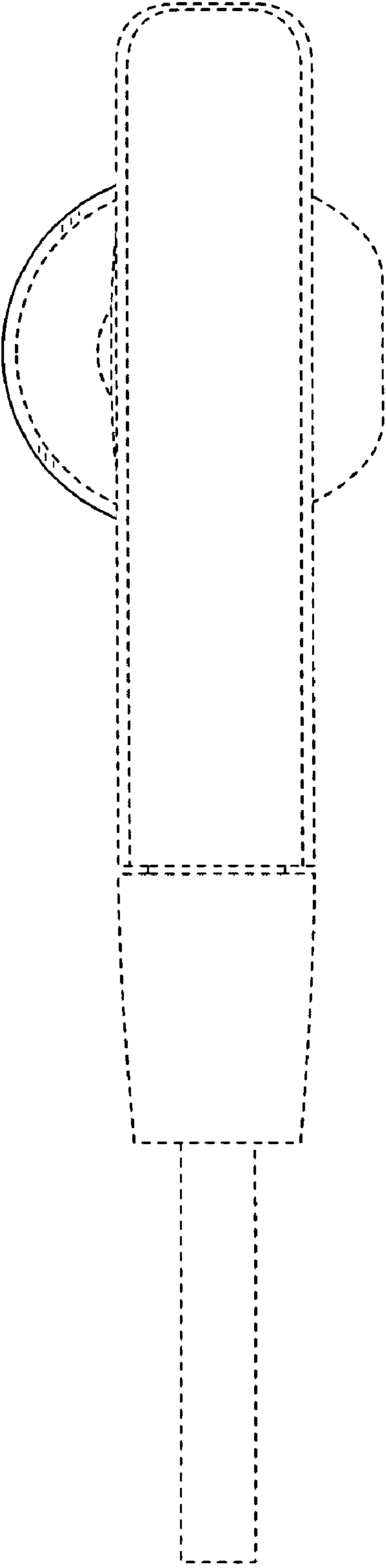


Fig.49

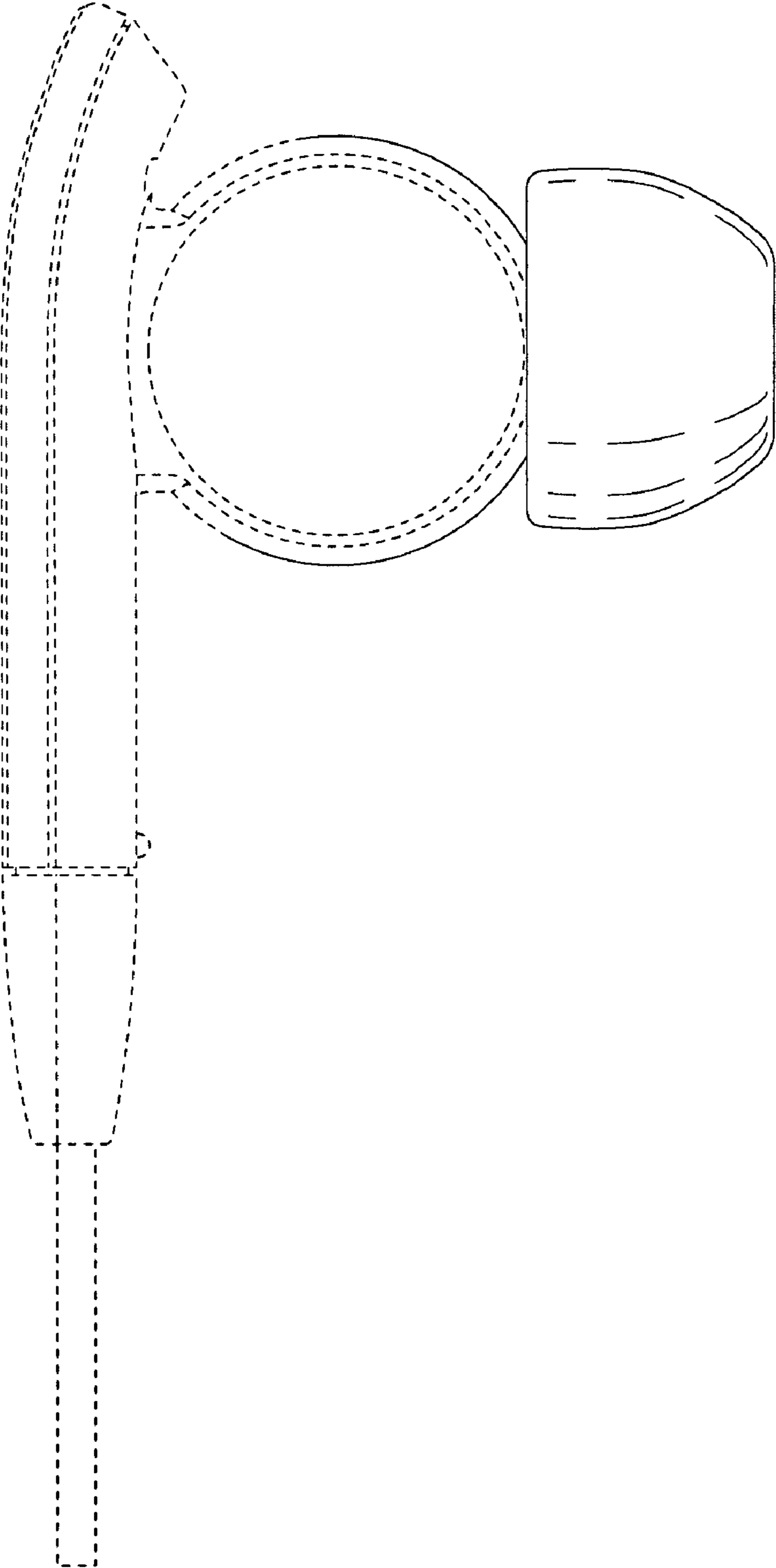


Fig.50

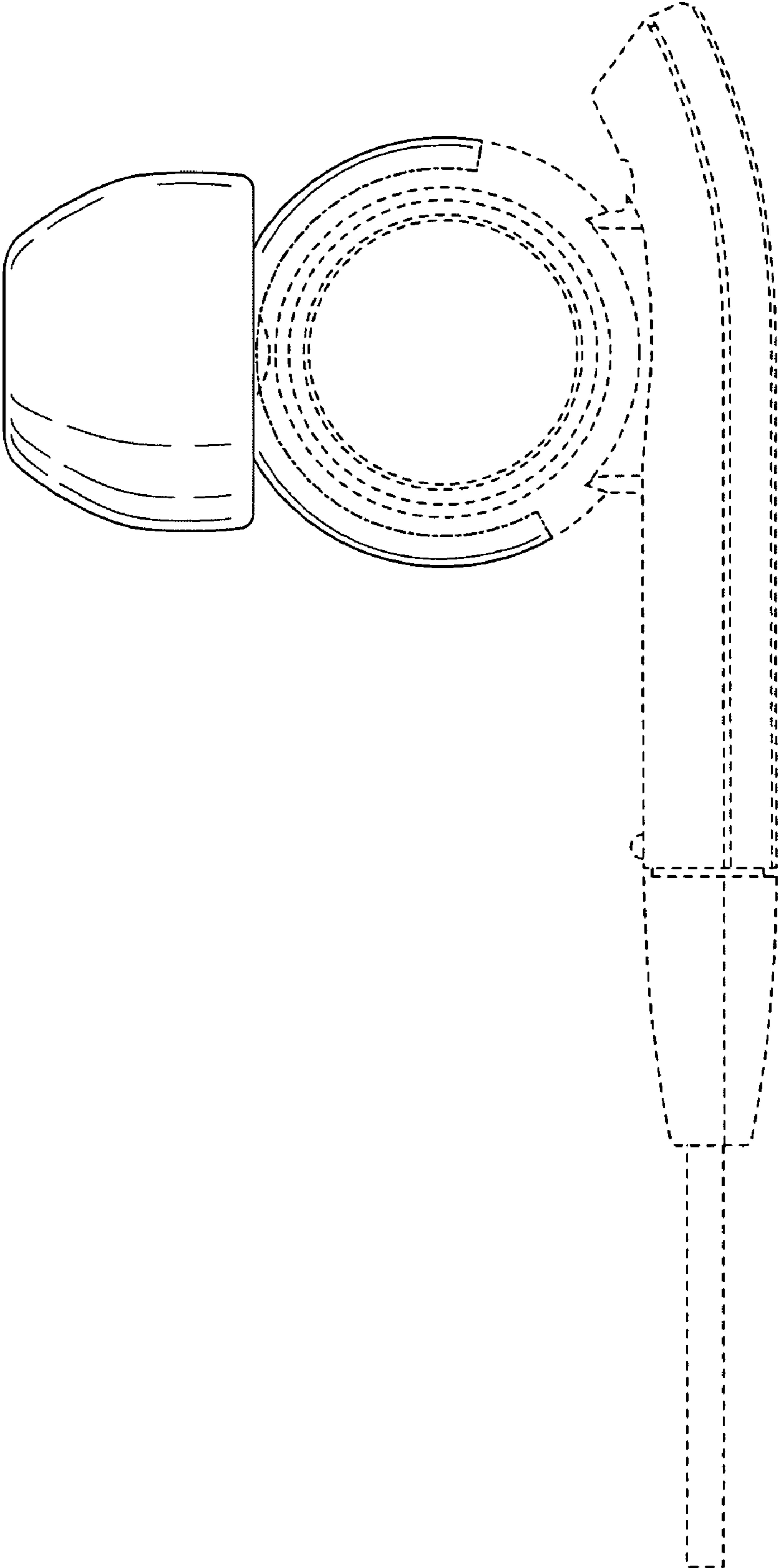


Fig.51

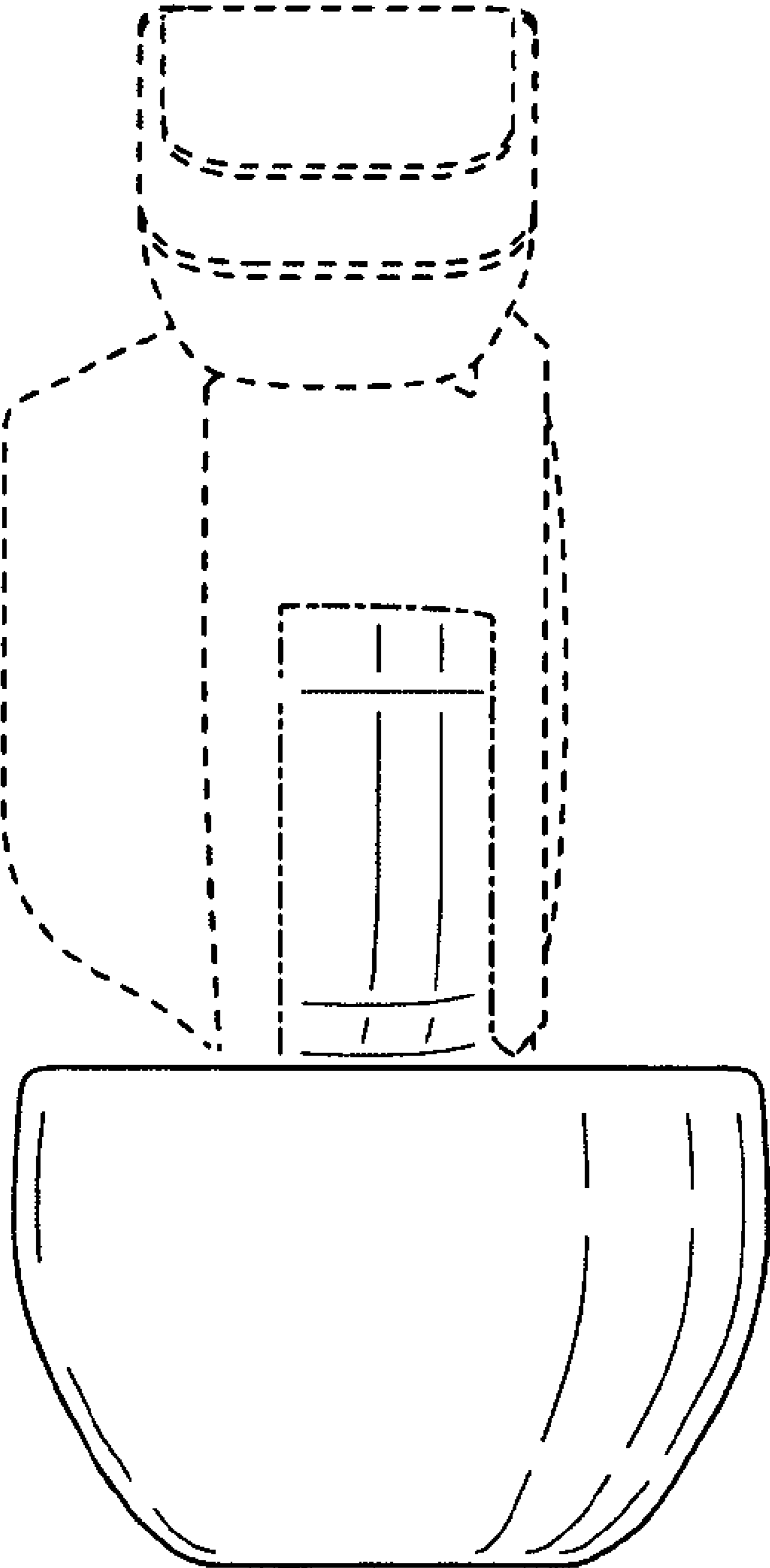


Fig.52

