



US00D610128S

(12) **United States Design Patent**
Andre et al.

(10) **Patent No.:** **US D610,128 S**
(45) **Date of Patent:** **** Feb. 16, 2010**

(54) **STAND**

(75) Inventors: **Bartley K. Andre**, Menlo Park, CA (US); **Daniel J. Coster**, San Francisco, CA (US); **Daniele De Iuliis**, San Francisco, CA (US); **Richard P. Howarth**, San Francisco, CA (US); **Jonathan P. Ive**, San Francisco, CA (US); **Duncan Robert Kerr**, San Francisco, CA (US); **Shin Nishibori**, Portola Valley, CA (US); **Matthew Dean Rohrbach**, San Francisco, CA (US); **Peter Russell-Clarke**, San Francisco, CA (US); **Douglas B. Satzger**, Menlo Park, CA (US); **Calvin Q. Seid**, Palo Alto, CA (US); **Christopher J. Stringer**, Woodside, CA (US); **Eugene Antony Whang**, San Francisco, CA (US); **Rico Zorkendorfer**, San Francisco, CA (US)

(73) Assignee: **Apple Inc.**, Cupertino, CA (US)

(**) Term: **14 Years**

(21) Appl. No.: **29/339,486**

(22) Filed: **Jun. 30, 2009**

Related U.S. Application Data

(63) Continuation of application No. 29/304,900, filed on Mar. 10, 2008, now Pat. No. Des. 595,264, which is a continuation of application No. 29/270,883, filed on Jan. 5, 2007, now Pat. No. Des. 568,874, and a continuation of application No. 29/370,884, filed on Jan. 5, 2007, now Pat. No. Des. 571,360.

(51) **LOC (9) Cl.** **14-03**

(52) **U.S. Cl.** **D14/217; D13/108**

(58) **Field of Classification Search** D14/142, D14/149, 155, 157, 188, 191-193, 230.1-203.8, D14/217, 251, 253, 432-435.1, 447, 451, D14/496; D13/107, 108, 118; 455/556.1-556.2, 455/557; 248/221.11, 309.1; 320/107, 110, 320/113-115; 361/600; 439/529, 534

See application file for complete search history.

(56) **References Cited**

U.S. PATENT DOCUMENTS

D328,277 S 7/1992 Leman et al.
(Continued)

FOREIGN PATENT DOCUMENTS

JP D1268220 4/2006
(Continued)

OTHER PUBLICATIONS

“iPod Dock Cradle”, downloaded Apr. 11, 2003, www.bookendzdocks.com/bookendz/dock_cradel.htm.

(Continued)

Primary Examiner—Stella M Reid

Assistant Examiner—Keli L Hill

(74) *Attorney, Agent, or Firm*—Sterne Kessler Goldstein & Fox PLLC

(57) **CLAIM**

The ornamental design for a stand, as shown and described.

DESCRIPTION

The stand, which can be utilized as a dock, may be used to support one or more electronic devices, such as a media player, media storage device, cellular phone, PDA, earpiece and/or the like.

FIG. 1 is a front perspective view of a stand, showing our new design;

FIG. 2 is a top view thereof;

FIG. 3 is a bottom view thereof;

FIG. 4 is a front view thereof;

FIG. 5 is a rear view thereof;

FIG. 6 is a right view thereof;

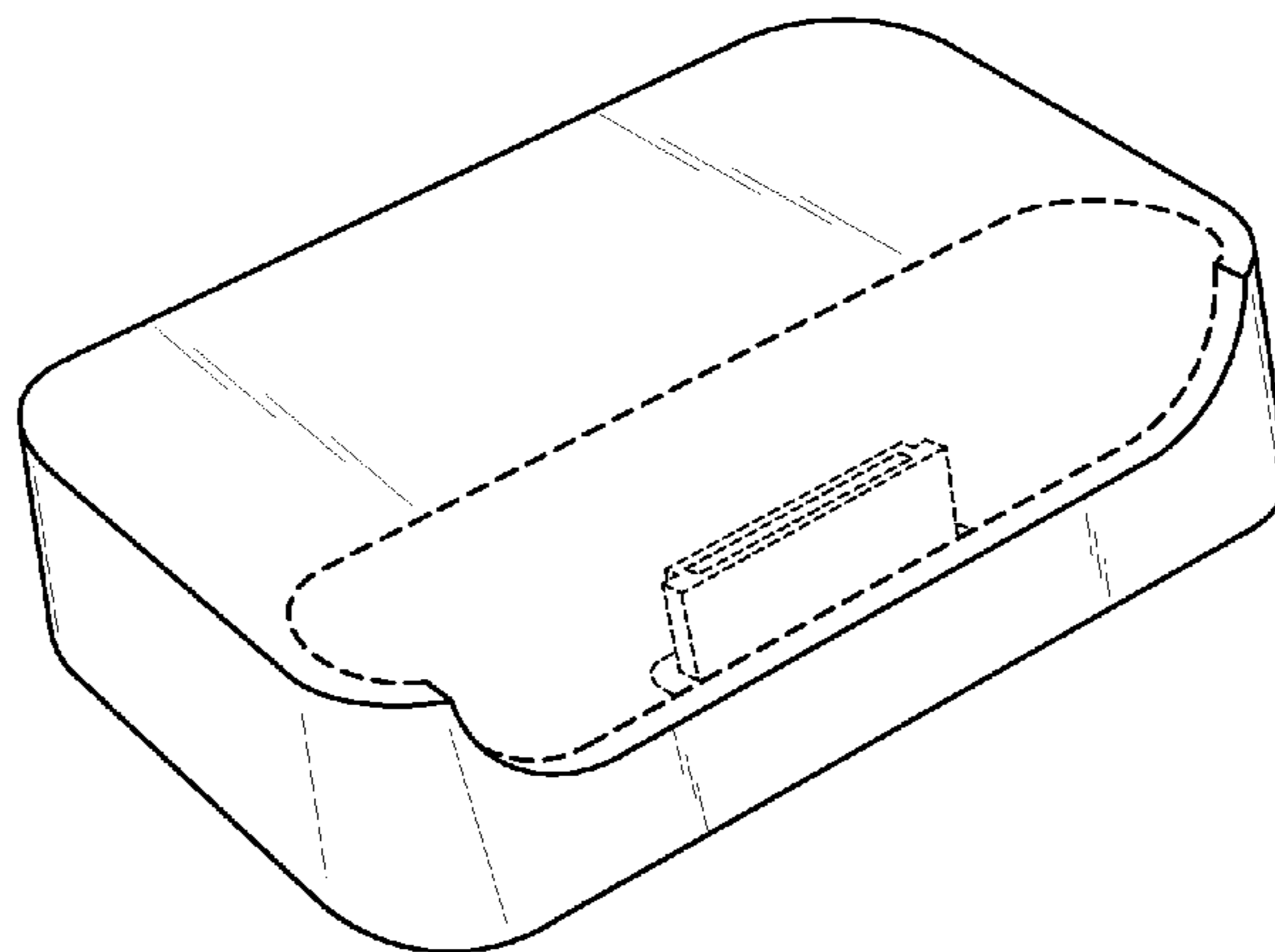
FIG. 7 is a left view thereof;

FIG. 8 is a front view thereof with an electronic device placed therein; and,

FIG. 9 is a right side view thereof with an electronic device placed therein.

The broken lines in the Figures are for illustrative purposes only and form no part of the claimed design.

1 Claim, 3 Drawing Sheets



US D610,128 S

U.S. PATENT DOCUMENTS

D336,631	S	6/1993	Ivester	
5,280,229	A	1/1994	Faude et al.	
D350,330	S	9/1994	Peterson	
D358,821	S	5/1995	Hellier et al.	
D361,069	S	8/1995	Hellier et al.	
D374,858	S	10/1996	Chu	
5,600,225	A	2/1997	Goto	
5,602,458	A	2/1997	Dowe	
5,627,727	A	5/1997	Aguilera et al.	
D385,530	S	10/1997	Hames et al.	
D388,764	S	1/1998	Bartling et al.	
D390,824	S	2/1998	Foster et al.	
5,742,149	A	4/1998	Simpson	
D397,996	S	9/1998	Smith	
D409,987	S	5/1999	Okumura	
D411,166	S	6/1999	Uemura et al.	
5,926,005	A	7/1999	Holcomb et al.	
5,952,814	A	9/1999	Van Lerberghe	
D416,536	S	11/1999	Ross et al.	
D419,160	S	1/2000	Davidson et al.	
6,042,414	A	3/2000	Kunert	
D422,556	S	4/2000	Okura et al.	
D439,908	S	4/2001	Gozani	
D440,542	S	4/2001	Hawkins et al.	
D442,939	S	5/2001	Goldenburg	
D444,121	S	6/2001	Chun et al.	
D444,124	S	6/2001	Casey et al.	
6,307,348	B1	10/2001	Green	
D450,707	S	11/2001	Francavilla et al.	
D454,332	S	3/2002	Yokoyama	
D459,299	S	6/2002	Hughes et al.	
D461,476	S	8/2002	Evers et al.	
D463,361	S	9/2002	Ruohonen	
D466,122	S	11/2002	Moody	
D468,305	S	1/2003	Ma et al.	
6,524,240	B1	2/2003	Thede	
D472,900	S	4/2003	Matsumoto	
D477,823	S	7/2003	Lavello, Sr.	
D487,897	S	3/2004	Huang et al.	
6,711,005	B2	3/2004	Martin	
D488,440	S	4/2004	Senda	
D495,336	S	8/2004	Andre et al.	
6,798,647	B2	9/2004	Dickie	
6,813,528	B1	11/2004	Yang	
6,898,080	B2	5/2005	Yin et al.	
D508,459	S	8/2005	Yoshida	
D509,790	S	9/2005	Sakai	
D510,091	S	9/2005	Mori et al.	
D520,943	S *	5/2006	Imai D13/108	
D520,945	S	5/2006	Hayamizu	
D520,946	S	5/2006	Nasu	
D525,616	S	7/2006	Andre et al.	
7,075,579	B2	7/2006	Whitby et al.	
D526,321	S	8/2006	Hayes et al.	
D530,717	S	10/2006	Mori et al.	

D532,005	S	11/2006	Leith	
7,145,603	B2	12/2006	Whitby et al.	
D535,614	S	1/2007	Majanen et al.	
D551,212	S	9/2007	Andre et al.	
D551,213	S	9/2007	Andre et al.	
D552,085	S	10/2007	Andre et al.	
D558,738	S	1/2008	Andre et al.	
D558,739	S	1/2008	Andre et al.	
D567,800	S	4/2008	Andre et al.	
D568,297	S	5/2008	Andre et al.	
D568,874	S	5/2008	Andre et al.	
D571,360	S	6/2008	Andre et al.	
D578,512	S	10/2008	Andre et al.	
D595,264	S	6/2009	Andre et al.	
D596,621	S *	7/2009	Andre et al. D14/217	
D597,080	S *	7/2009	Andre et al. D14/217	
D597,081	S *	7/2009	Andre et al. D14/217	
D599,784	S *	9/2009	Hansen et al. D14/217	
2002/0103008	A1	8/2002	Rahn et al.	
2003/0198015	A1	10/2003	Vogt	
2006/0250764	A1	11/2006	Howarth et al.	
2007/0047198	A1	3/2007	Crooijmans et al.	
2008/0219488	A1 *	9/2008	Crooijmans et al. 381/333	
2009/0009957	A1 *	1/2009	Crooijmans et al. 361/686	
			JP	

FOREIGN PATENT DOCUMENTS

D1268238	4/2006	JP
D1275123	6/2006	KR
3003964460000	10/2005	TW
201249	2/1993	

OTHER PUBLICATIONS

“BookEndz Home Page”, downloaded Apr. 11, 2003, www.bookendzdocks.com/bookendz/index.htm.

U.S. Appl. No. 29/237,687 entitled “Docking Station” filed Aug. 24, 2005.

“Atech Flash Technology iduo ipod Dock and card Reader”, www.the-gadgeteer.com, downloaded Nov. 21, 2005.

“Adaptec xHub for Notebooks”, http://www.everythingusb.com/hardware/index/Adaptec_xHub_for_Notebooks.htm, downloaded Nov. 22, 2005.

“Belkin’s Top loading USB Hub for iPod shuffle”, http://www.everythingusb.com/belkin_hispeed_usb_2.0_4-port_hub.html, downloaded Nov. 22, 2005.

“Belkin Hi-Speed USB 2.07.sub.—Port Hub”, http://www.everythingusb.com/hardware/index/Belkin_Hi-Speed_USB_2.0_7-Port_Hub..., downloaded Nov. 22, 2005.

Search Report for Taiwan New Design Patent Application No. 096303173.

* cited by examiner

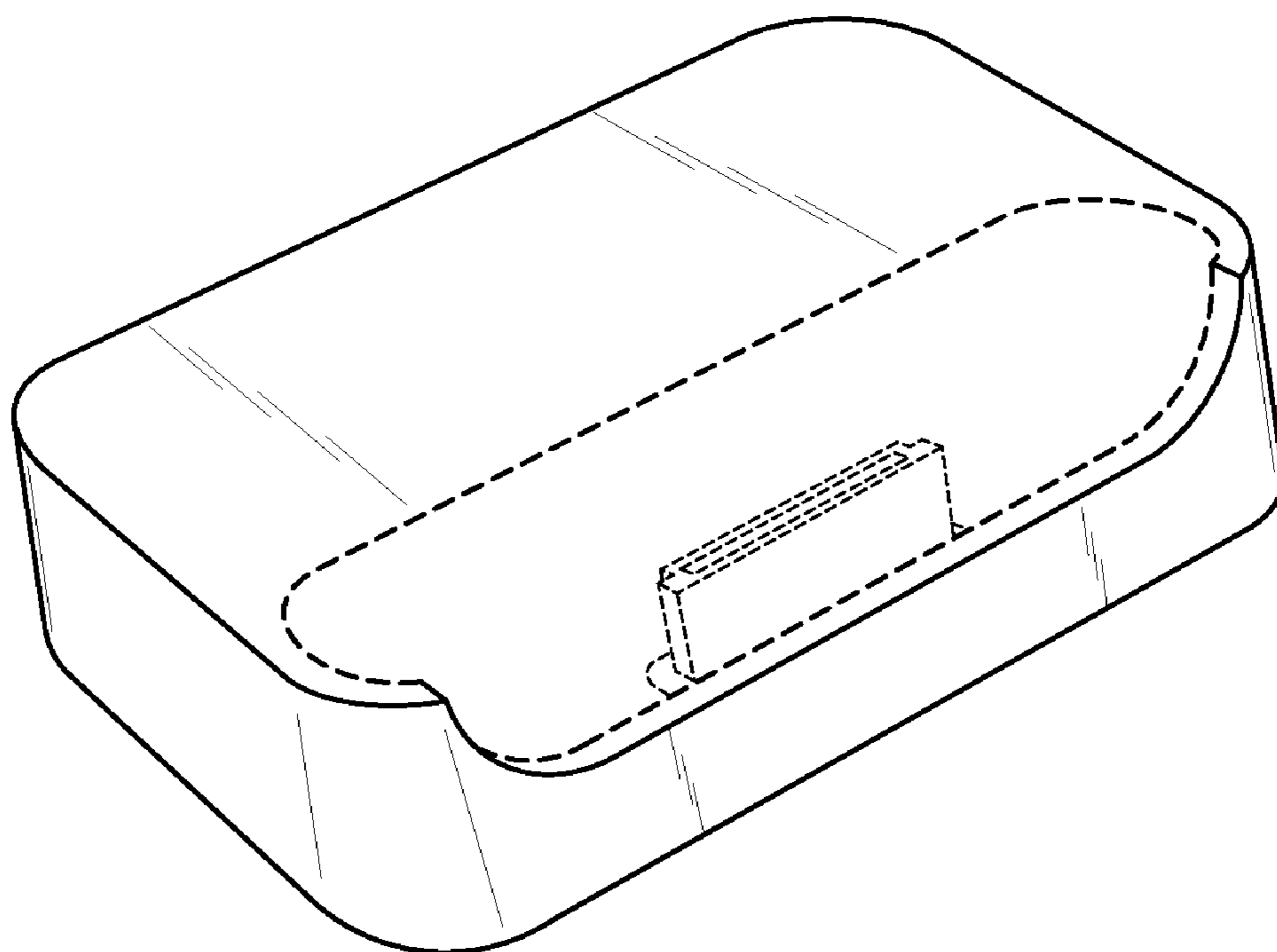


FIG. 1

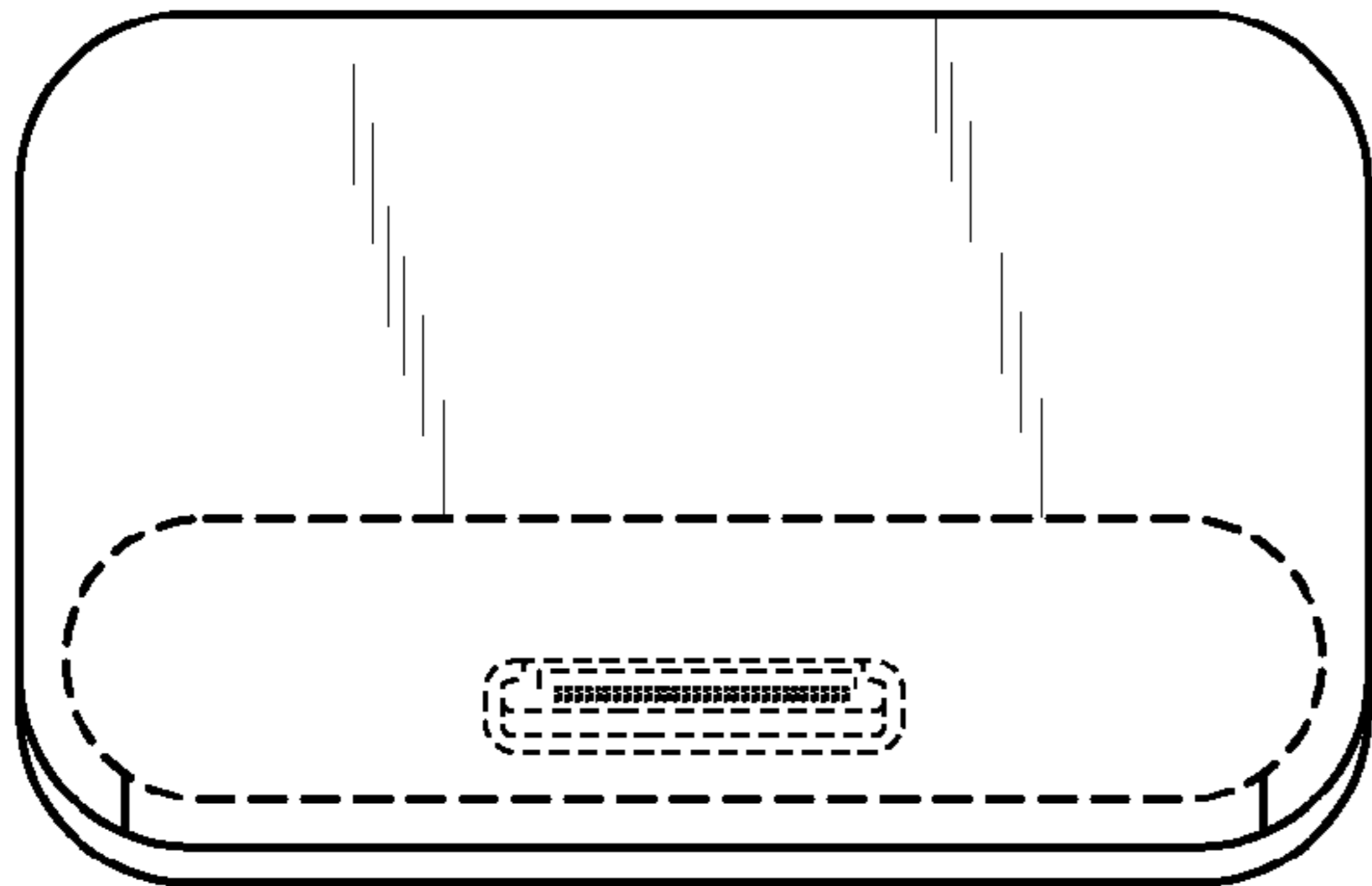


FIG. 2

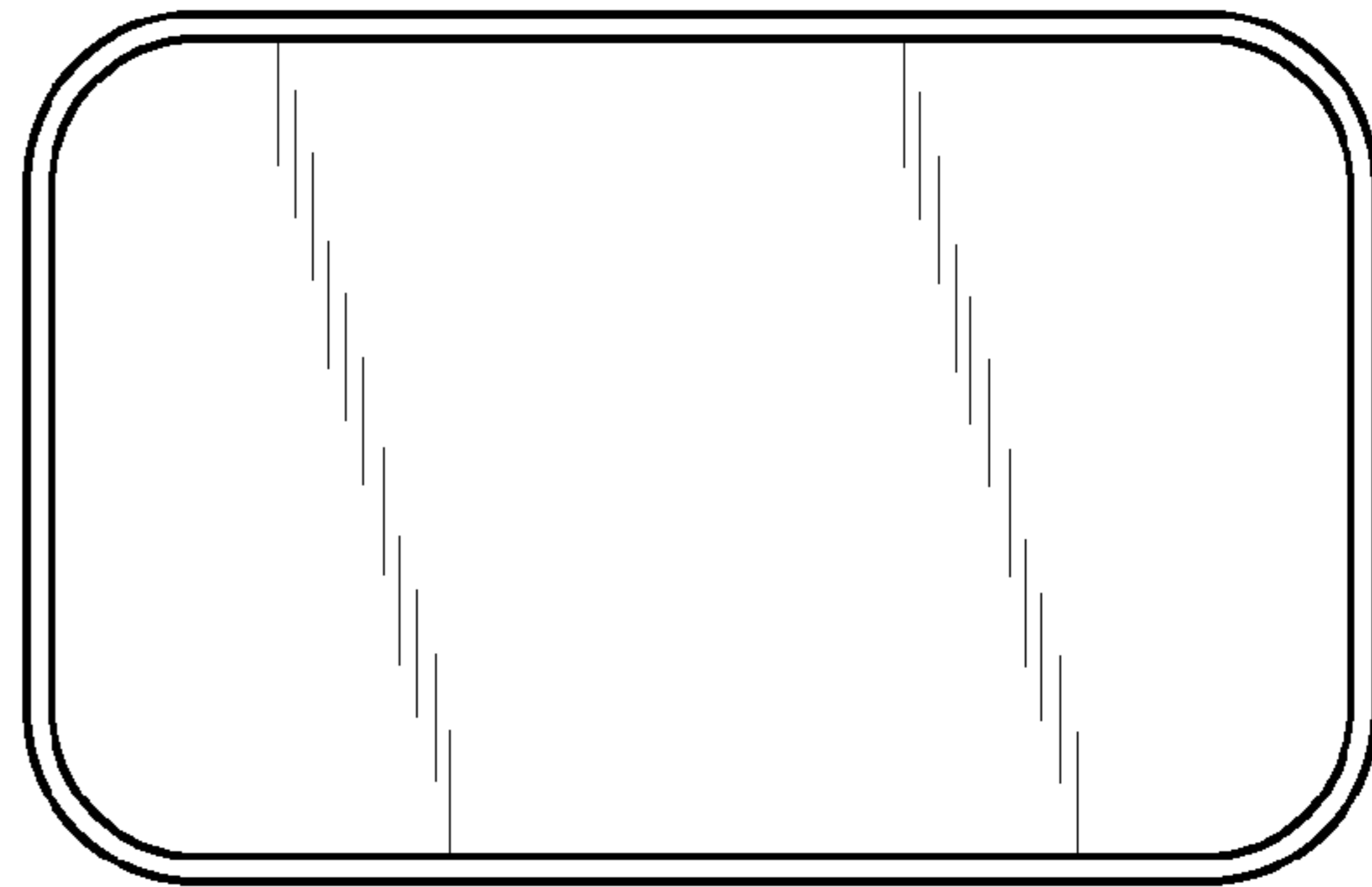


FIG. 3

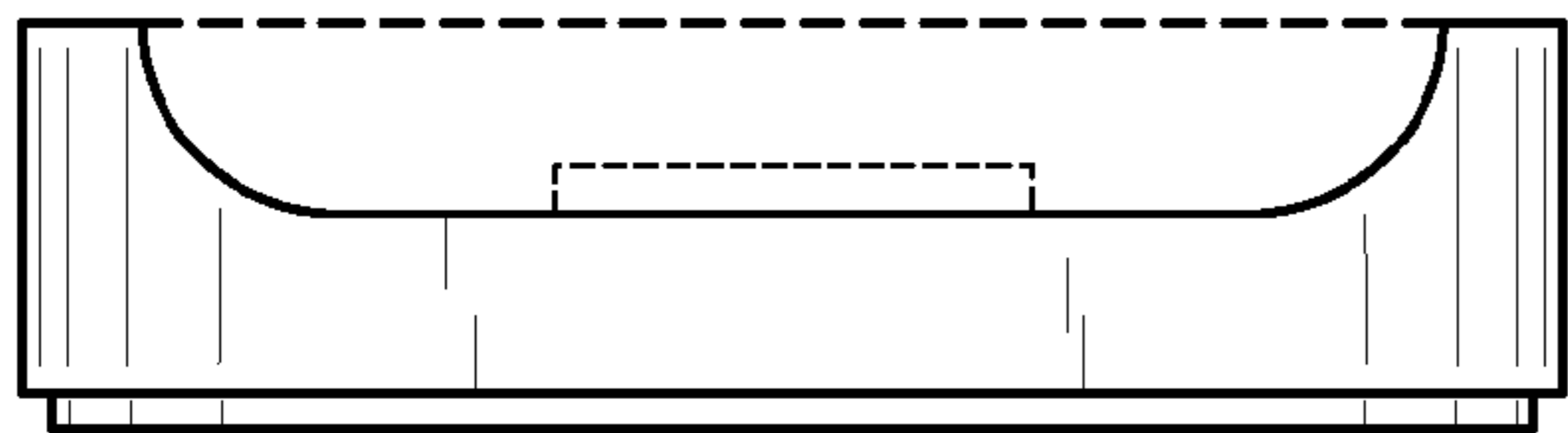


FIG. 4

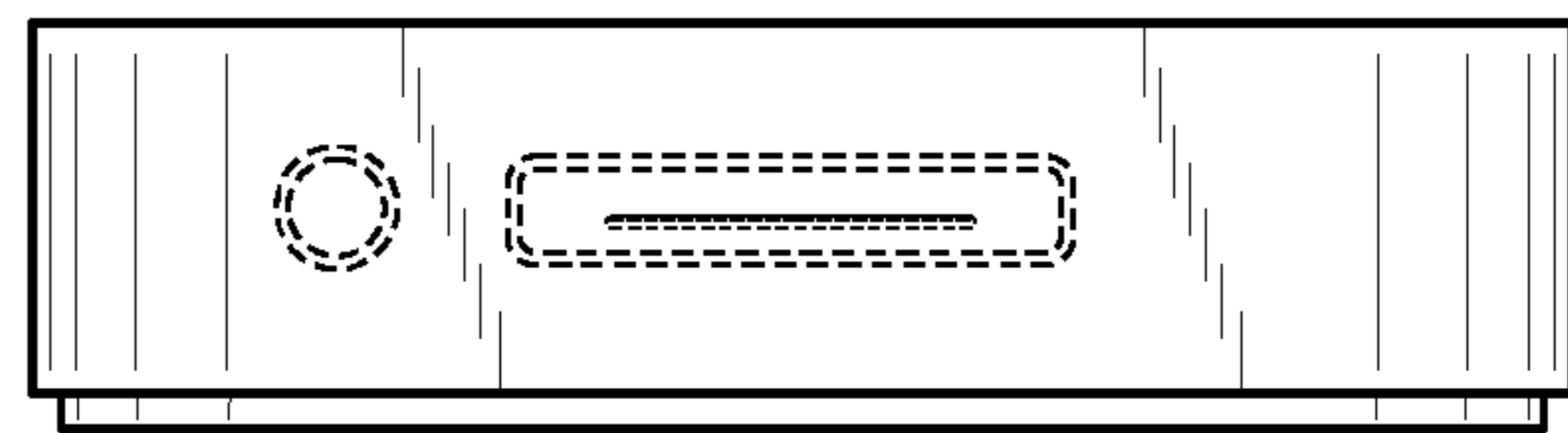


FIG. 5

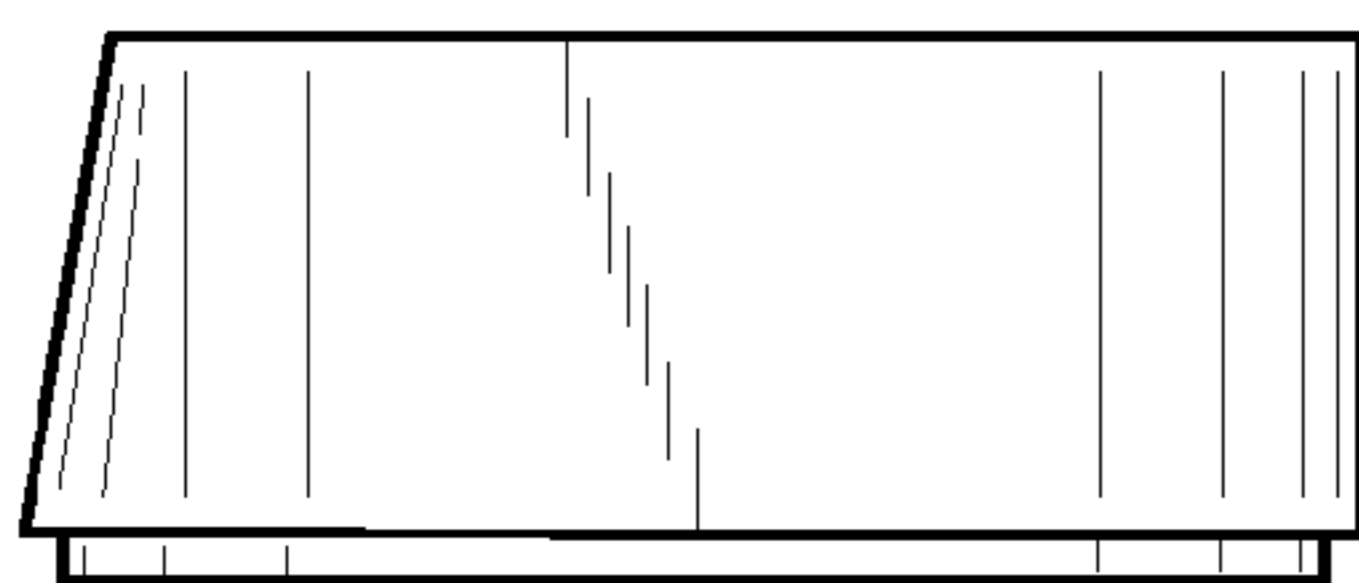


FIG. 6

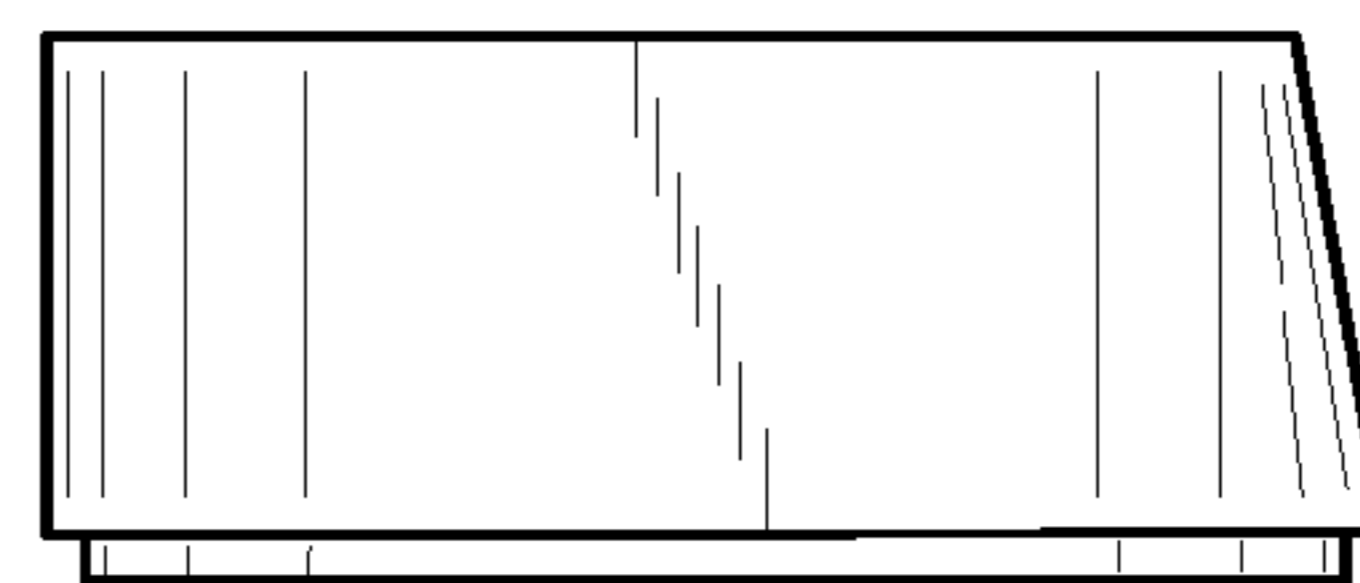


FIG. 7

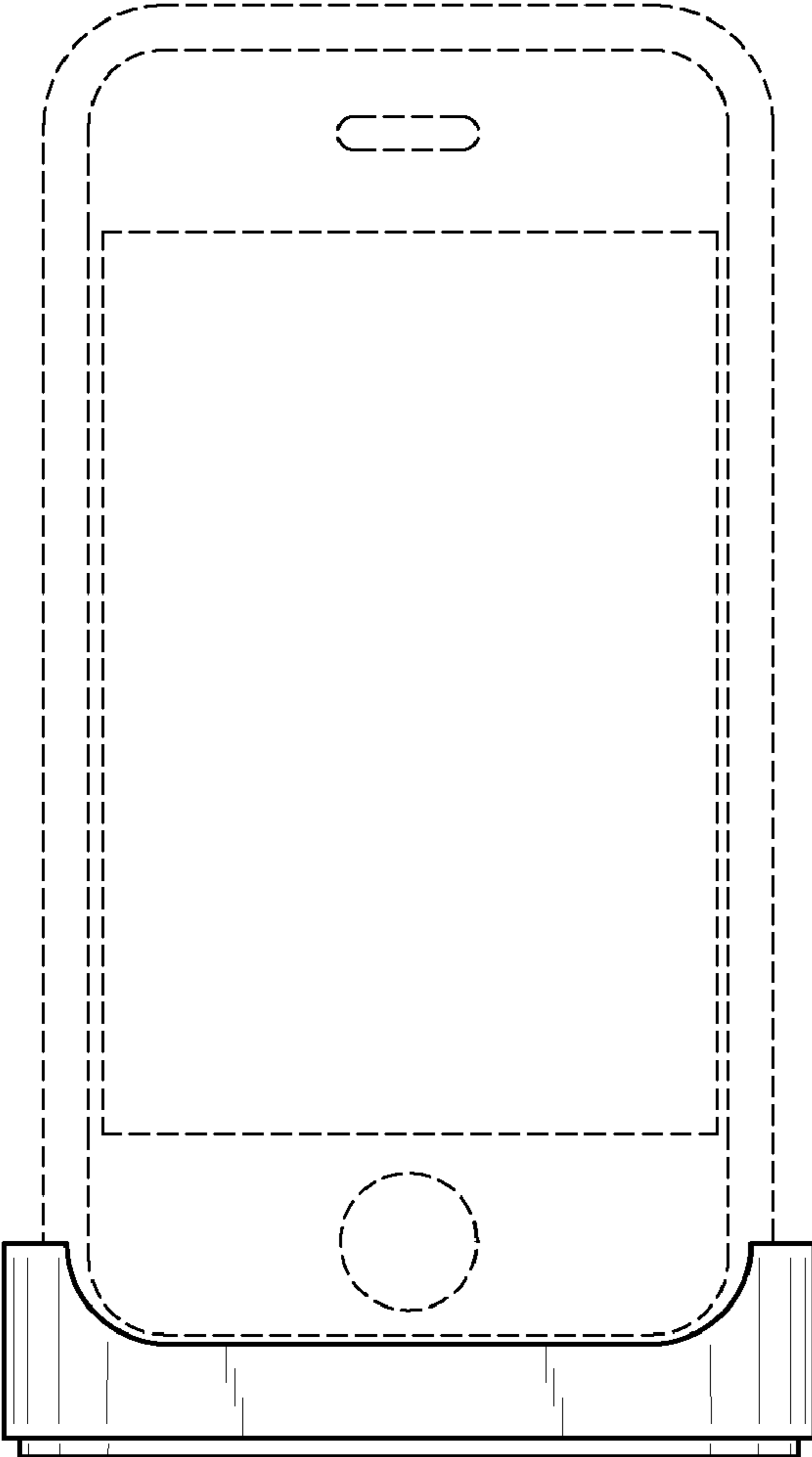


FIG. 8

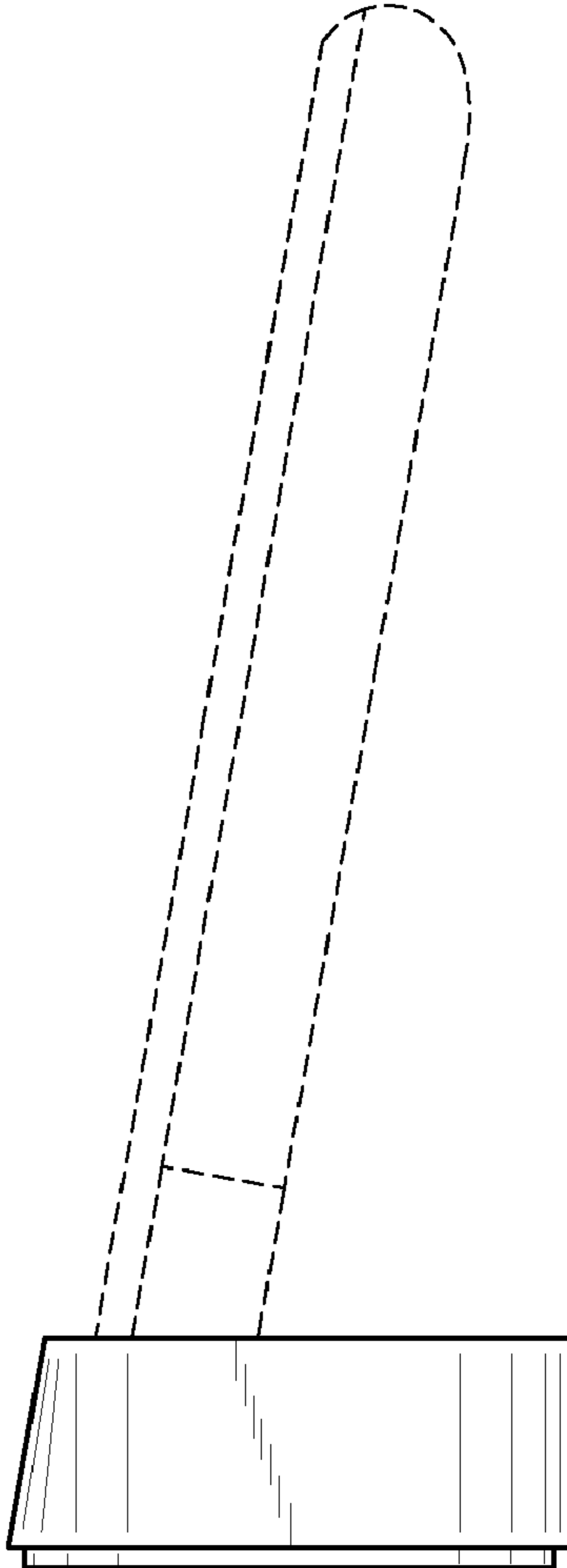


FIG. 9