



US00D610126S

(12) **United States Design Patent**  
**Andre et al.**

(10) **Patent No.:** **US D610,126 S**  
(45) **Date of Patent:** **\*\* Feb. 16, 2010**

(54) **MEDIA PLAYER**

(75) Inventors: **Bartley K. Andre**, Menlo Park, CA (US); **Daniel J. Coster**, San Francisco, CA (US); **Daniele De Iuliis**, San Francisco, CA (US); **Richard P. Howarth**, San Francisco, CA (US); **Jonathan P. Ive**, San Francisco, CA (US); **Steve Jobs**, Palo Alto, CA (US); **Duncan Robert Kerr**, San Francisco, CA (US); **Matthew Dean Rohrbach**, San Francisco, CA (US); **Douglas B. Satzger**, Menlo Park, CA (US); **Calvin Q. Seid**, Palo Alto, CA (US); **Vincent Keane Seid**, legal representative, Los Gatos, CA (US); **Christopher J. Stringer**, Woodside, CA (US); **Eugene Antony Whang**, San Francisco, CA (US)

(73) Assignee: **Apple Inc.**, Cupertino, CA (US)

(\*\*) Term: **14 Years**

(21) Appl. No.: **29/333,540**

(22) Filed: **Mar. 11, 2009**

**Related U.S. Application Data**

(63) Continuation of application No. 11/882,003, filed on Jul. 30, 2007, which is a continuation of application No. 11/806,957, filed on Jun. 5, 2007, now Pat. No. 7,333,092, which is a continuation of application No. 11/386,238, filed on Mar. 21, 2006, now Pat. No. 7,348,967, which is a continuation of application No. 10/188,182, filed on Jul. 1, 2002, now Pat. No. 7,046,230.

(51) **LOC (9) Cl.** ..... **14-03**

(52) **U.S. Cl.** ..... **D14/203.7; D14/203.3; D14/496**

(58) **Field of Classification Search** ..... D14/496, D14/401, 435, 474, 483, 217, 137, 138, 160, D14/168, 356, 203.1-203.8, 507; 345/156, 345/169, 173-179, 905; 715/727-729, 864; 710/1, 5, 8; 713/1, 600; 455/1.1, 1.7, 73, 455/344-347, 93, 95, 3.01-3.06, 550.1, 573.1; 370/342-344; 369/1, 2, 6-12; 463/43-47; 273/148 B

See application file for complete search history.

(56) **References Cited**

U.S. PATENT DOCUMENTS

D264,969 S 6/1982 McGourty

(Continued)

OTHER PUBLICATIONS

[http://en.wikipedia.org/wiki/IPod\\_Classic](http://en.wikipedia.org/wiki/IPod_Classic), retreated from internet on Oct. 24, 2008, Apple Inc. iPod of first generation available for sale on Oct. 23, 2001, 11 pages.\*

*Primary Examiner*—Prabhakar Deshmukh  
(74) *Attorney, Agent, or Firm*—Sterne, Kessler, Goldstein & Fox P.L.L.C.

(57) **CLAIM**

We claim the ornamental design for a media player, as shown and described.

**DESCRIPTION**

This application is also related to U.S. Design patent application Ser. No. 29/153,169, filed on Oct. 22, 2001, now U.S. Design Pat. No. D469,109.

FIG. 1 is a front perspective view of a media player showing our new design;

FIG. 2 is a front elevational view thereof;

FIG. 3 is a left side view thereof;

FIG. 4 is a right side view thereof;

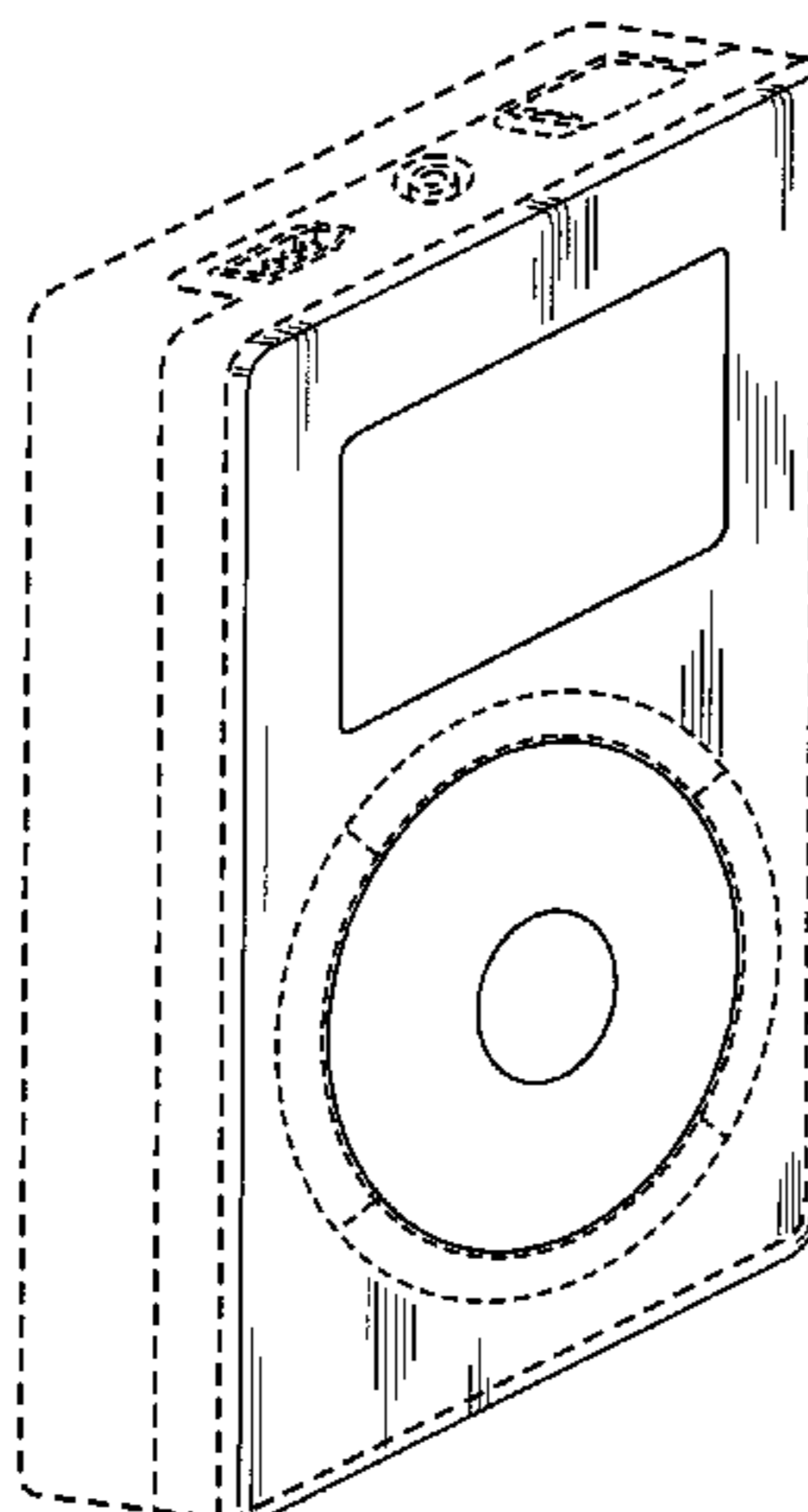
FIG. 5 is a bottom view thereof;

FIG. 6 is a top view thereof; and,

FIG. 7 is a rear elevational view thereof.

The dot dash line represents an unclaimed boundary line and forms no part of the claimed design. The broken lines showing environmental boundaries and surface ornamentation are for illustrative purposes only and form no part of the claimed design.

**1 Claim, 5 Drawing Sheets**



# US D610,126 S

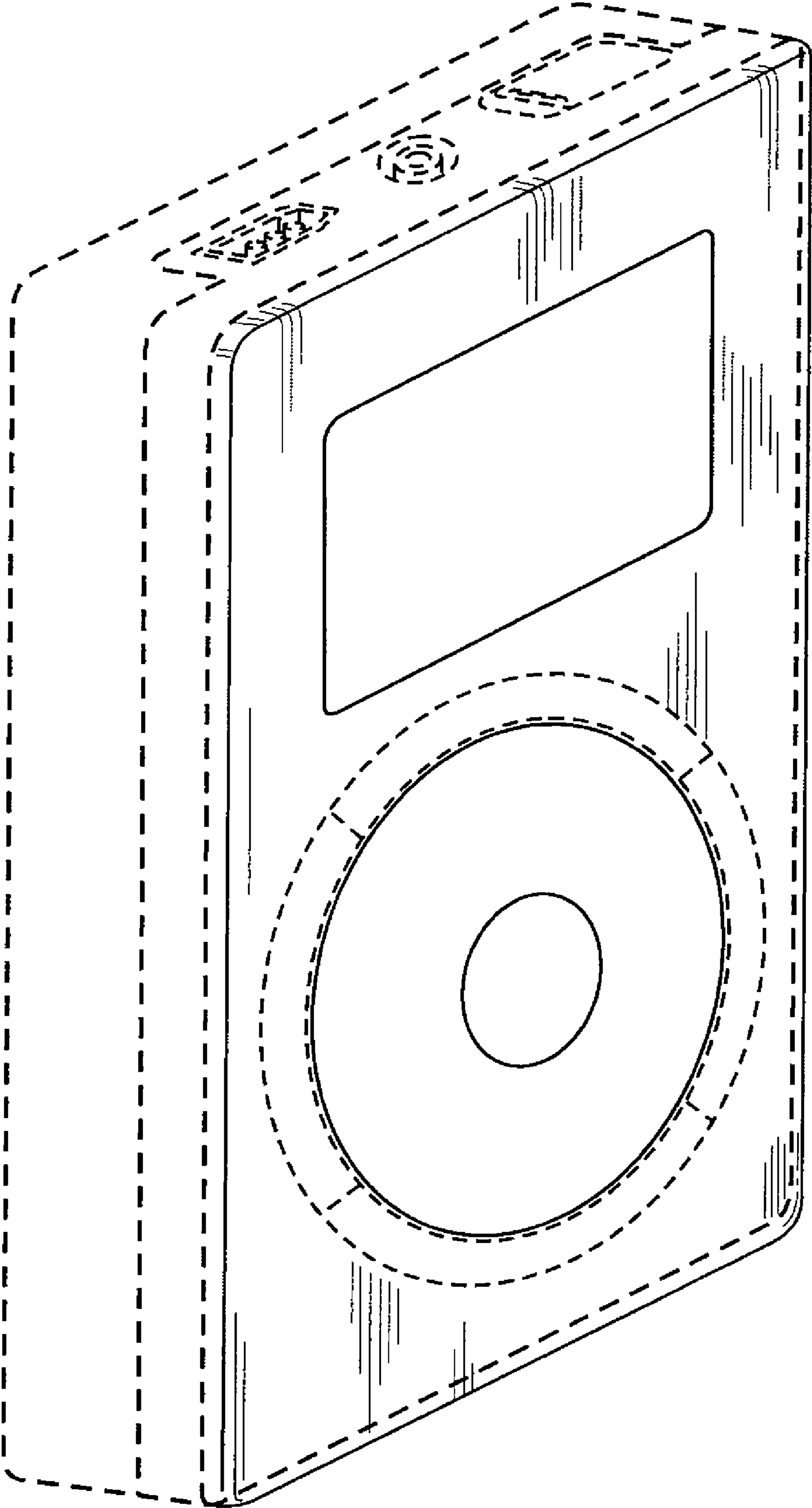
Page 2

---

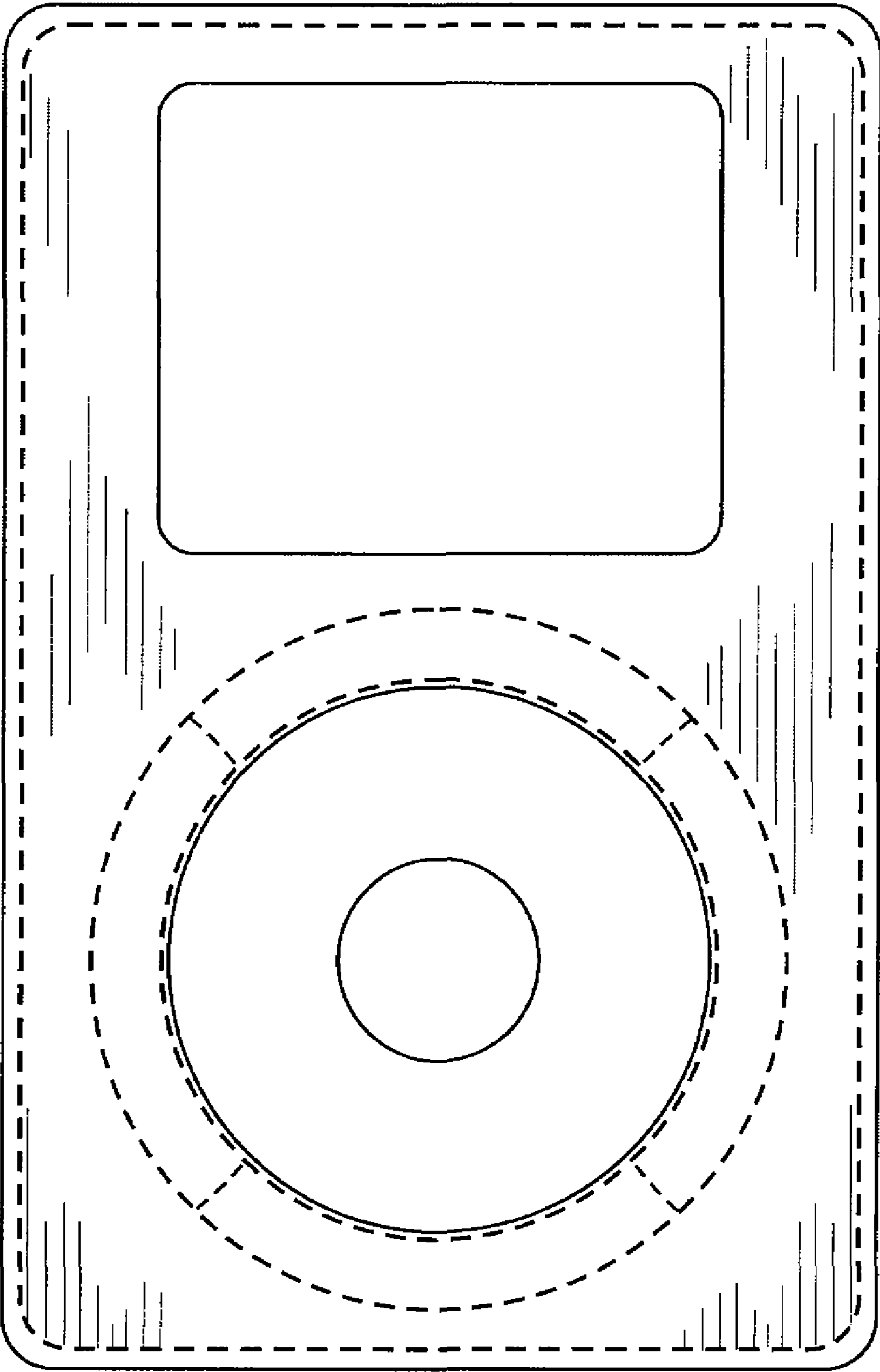
## U.S. PATENT DOCUMENTS

4,976,435	A	12/1990	Shatford et al.	D446,499	S	8/2001	Andre et al.	
5,192,082	A	3/1993	Inoue et al.	D448,810	S	10/2001	Goto	
5,661,632	A	8/1997	Register	D450,713	S	11/2001	Masamitsu et al.	
D412,940	S	8/1999	Kato et al.	6,314,483	B1	11/2001	Goto et al.	
5,964,661	A	10/1999	Dodge	D452,250	S	12/2001	Chan	
D425,885	S	5/2000	Amron	D455,793	S	4/2002	Lin	
D430,169	S	8/2000	Scibora	D469,109	S	1/2003	Andre et al.	
6,122,526	A	9/2000	Parulski et al.	D472,245	S	3/2003	Andre et al.	
D432,523	S	10/2000	Grinkus et al.	6,593,914	B1 *	7/2003	Nuovo et al. ....	345/169
D437,860	S	2/2001	Suzuki et al.	D516,576	S *	3/2006	Ive et al. ....	D14/203.7
D438,525	S	3/2001	Katayama	7,046,230	B2	5/2006	Zadesky et al.	
D441,735	S	5/2001	Katayama	D527,015	S *	8/2006	Yang .....	D14/203.7
6,227,966	B1	5/2001	Yokoi	D532,425	S *	11/2006	Kim .....	D14/203.7
6,254,477	B1	7/2001	Sasaki et al.	D538,822	S *	3/2007	Andre et al. ....	D14/203.7
6,262,785	B1	7/2001	Kim					

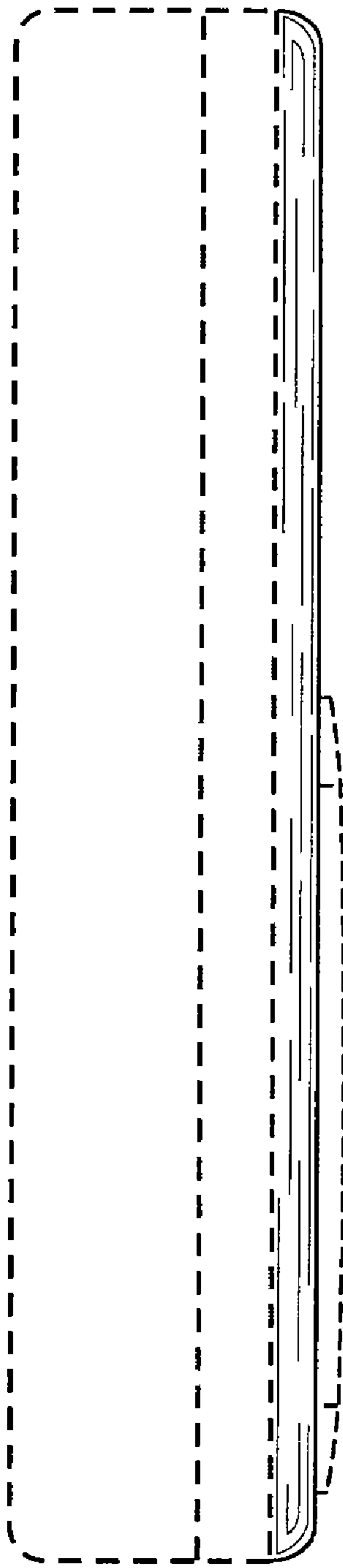
\* cited by examiner



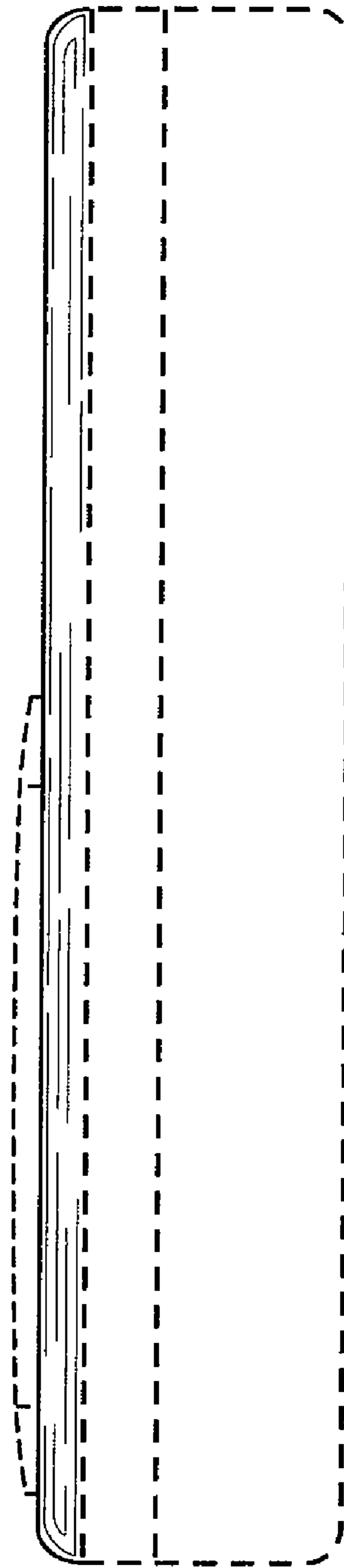
**FIG. 1**



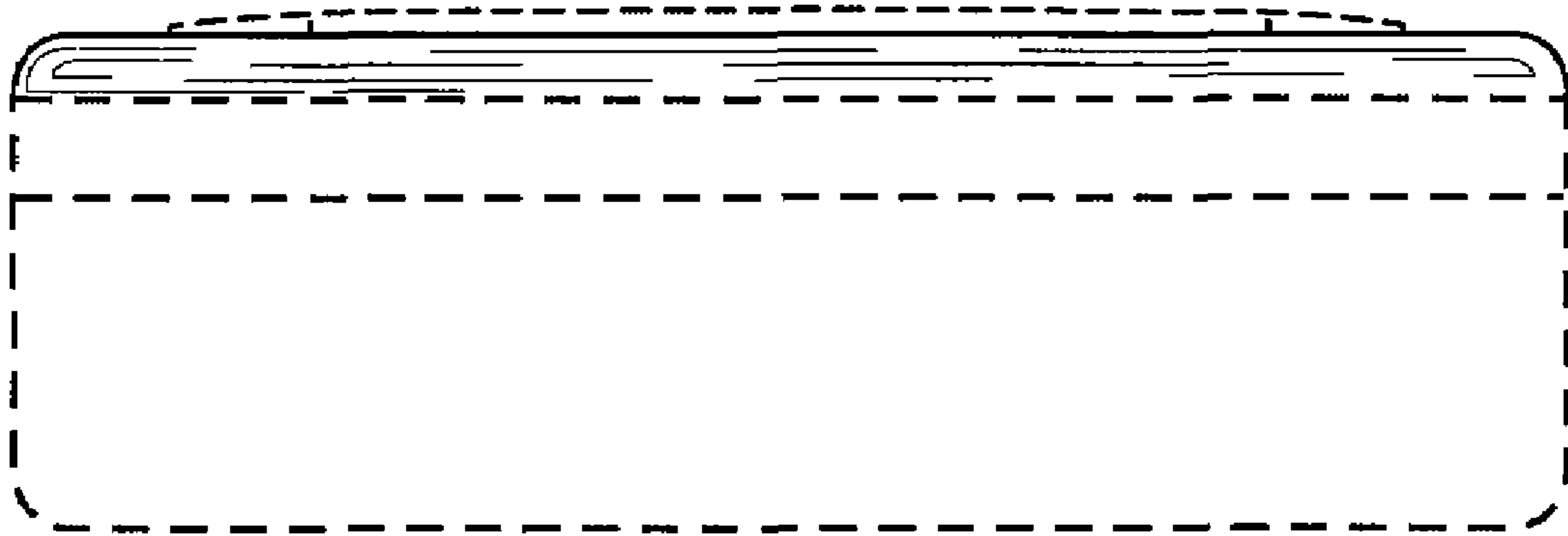
**FIG. 2**



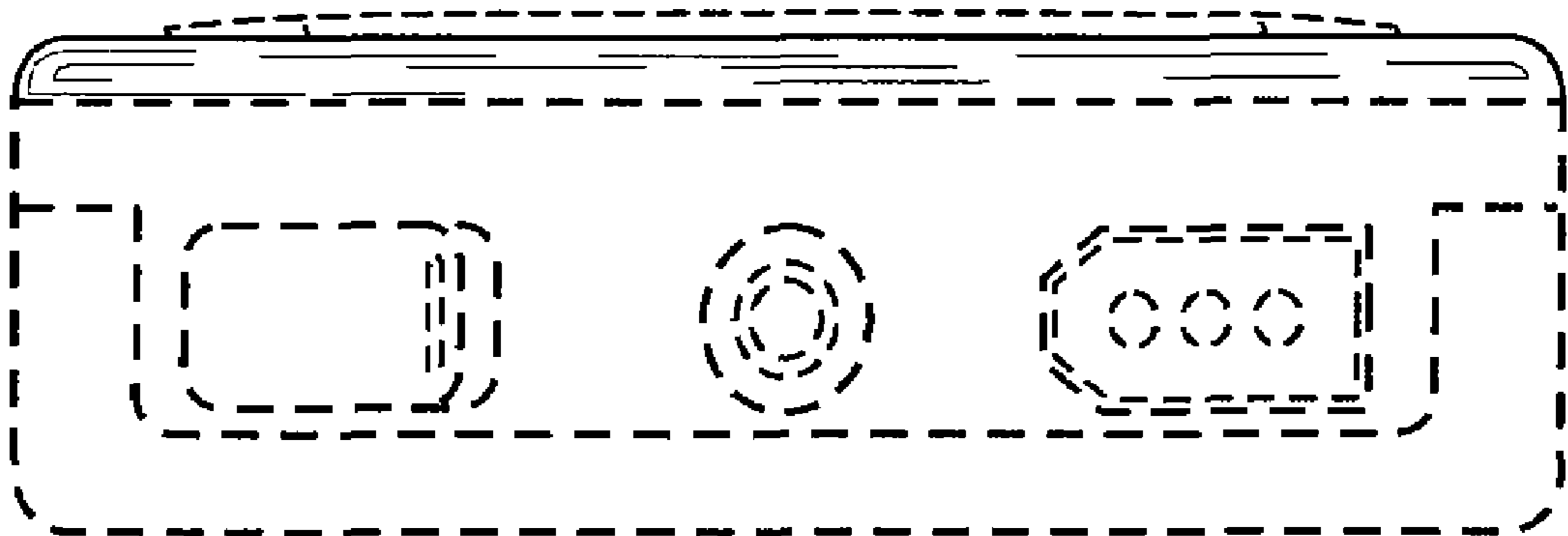
**FIG. 3**



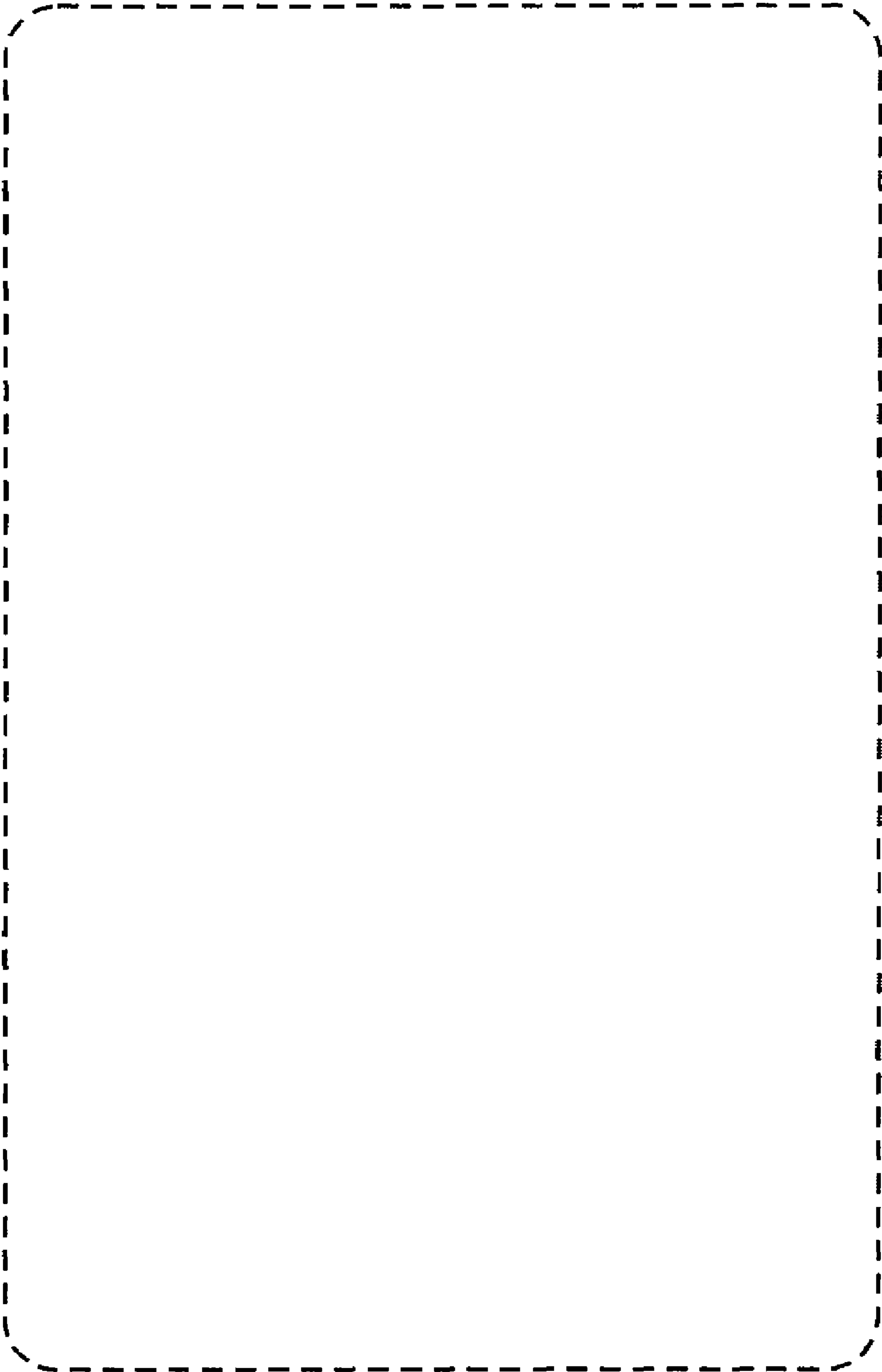
**FIG. 4**



**FIG. 5**



**FIG. 6**



**FIG. 7**