



US00D610124S

(12) **United States Design Patent**
Masoian et al.

(10) **Patent No.:** **US D610,124 S**

(45) **Date of Patent:** **** Feb. 16, 2010**

(54) **EMERGENCY COMMUNICATION
CONTROLLER AND CONSOLE**

(75) Inventors: **Lee Masoian**, West New York, NJ (US);
Stanley Mantel, Silver Spring, MD (US)

(73) Assignee: **Airorlite Communications, Inc.**, Fair
Lawn, NJ (US)

(**) Term: **14 Years**

(21) Appl. No.: **29/283,457**

(22) Filed: **Aug. 15, 2007**

(51) **LOC (9) Cl.** **14-03**

(52) **U.S. Cl.** **D14/140.7**

(58) **Field of Classification Search** D14/140.7,
D14/137, 140, 142, 140.2, 140.9, 141.3, 155,
D14/159, 188, 191, 194, 196, 240, 244-245,
D14/256, 257; 379/45-51, 37-38, 49, 216.01;
455/15, 403, 404.1-404.2; 340/500, 525,
340/691.6

See application file for complete search history.

(56) **References Cited**

U.S. PATENT DOCUMENTS

D225,233	S	*	11/1972	Janda	D14/140.7
3,800,089	A		3/1974	Reddick		
3,939,417	A		2/1976	Cannalte et al.		
4,176,254	A	*	11/1979	Tuttle et al.	379/45
5,086,463	A		2/1992	Vesely et al.		
5,105,460	A	*	4/1992	Williams	379/155
5,274,838	A		12/1993	Childress et al.		
5,283,546	A		2/1994	Scop et al.		
5,343,509	A	*	8/1994	Dounies	379/40
5,363,436	A		11/1994	McMonagle, Jr. et al.		
D358,153	S	*	5/1995	Jackson	D14/245
5,465,296	A		11/1995	McMonagle, Jr. et al.		
5,475,750	A		12/1995	McMonagle, Jr. et al.		
5,475,751	A		12/1995	McMonagle, Jr. et al.		

OTHER PUBLICATIONS

“GEMS 2000 EMS Communications Console,” General Devices,
<http://www.general-devices.com/console.htm>, printed Aug. 15,
2007.

(Continued)

Primary Examiner—Ian Simmons

Assistant Examiner—Wan Laymon

(74) *Attorney, Agent, or Firm*—Crowell & Moring LLP

(57) **CLAIM**

The ornamental design for an emergency communication
controller and console, as shown and described.

DESCRIPTION

FIG. 1 is a front view of a first embodiment of an emergency
communication controller and console according to our novel
design;

FIG. 2 is a left, top perspective view thereof;

FIG. 3 is a top view thereof;

FIG. 4 is a right, bottom perspective view thereof; and

FIG. 5 is a front view thereof, where the broken lines illustrate
environmental structure of the right side of the emergency
communication controller and console form no part of the
claimed design;

FIG. 6 is a front view of a second environment of the emer-
gency communication controller and console according to
our novel design;

FIG. 7 is a top view thereof;

FIG. 8 is a left, top perspective view thereof;

FIG. 9 is a right, bottom perspective view thereof;

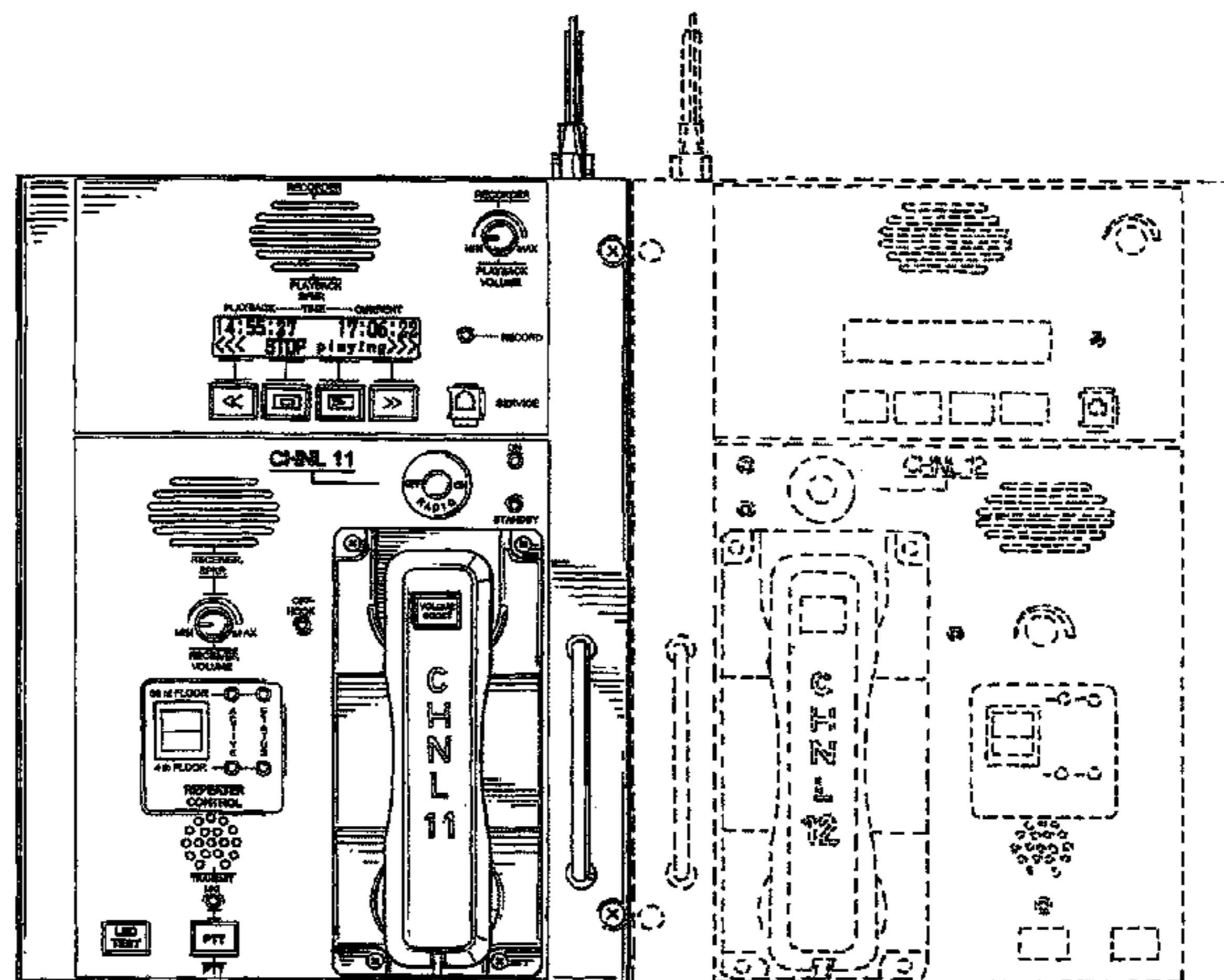
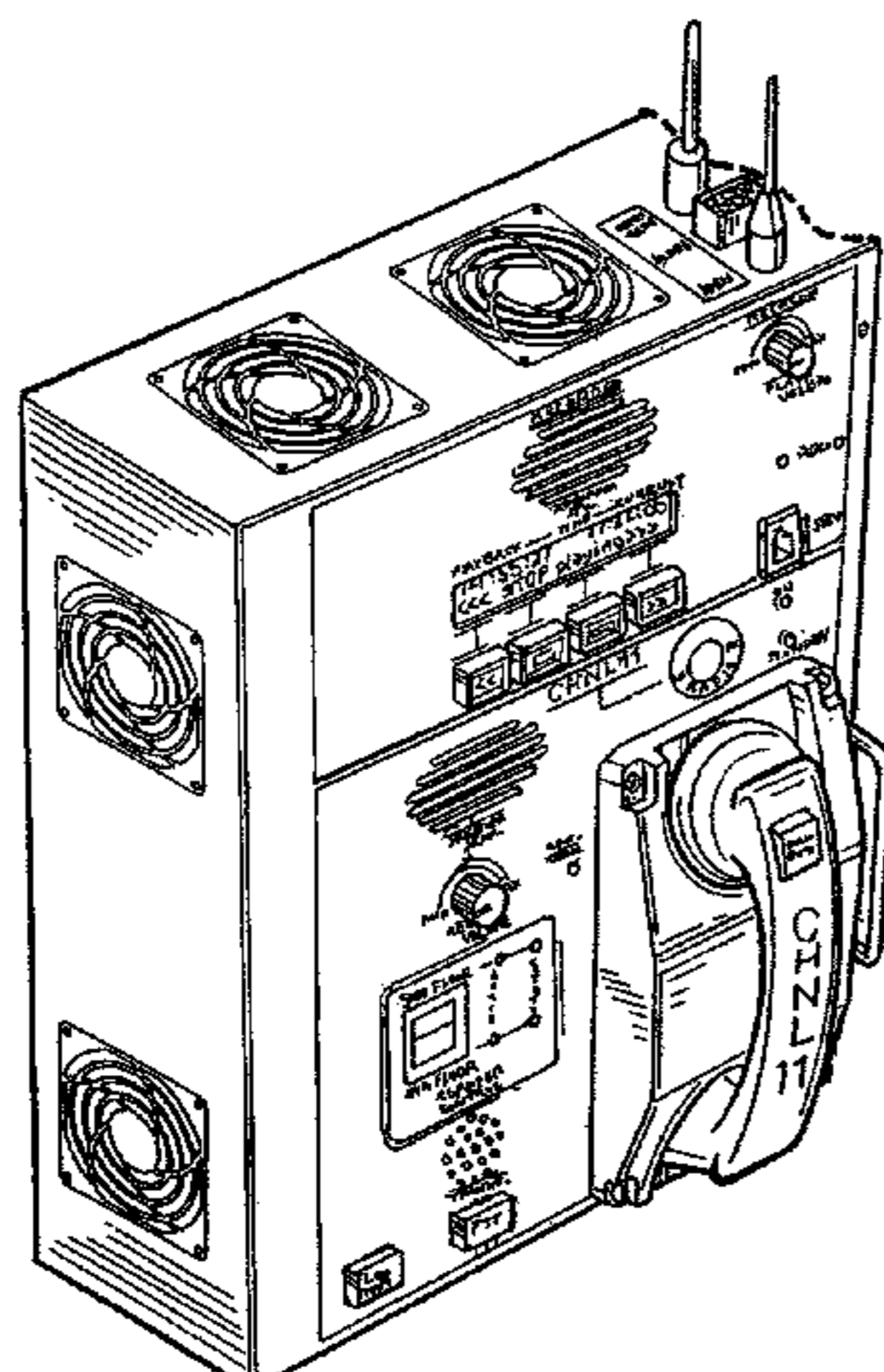
FIG. 10 is a front view thereof, where the broken lines illus-
trate environmental structure of the left side of the emergency
communication controller and console form no part of the
claimed design.

FIG. 11 is a front view showing a possible environment of the
first and second embodiments; and,

FIG. 12 a front view showing an additional possible environ-
ment of the first and second embodiments.

(Continued)

1 Claim, 10 Drawing Sheets



U.S. PATENT DOCUMENTS

5,784,456	A *	7/1998	Carey et al.	379/419
5,805,976	A	9/1998	Frichtel et al.	
5,963,631	A *	10/1999	Fazio et al.	379/202.01
6,060,979	A	5/2000	Eichsteadt	
6,614,883	B2	9/2003	Baum et al.	
6,996,392	B2	2/2006	Anderson et al.	
2003/0078029	A1	4/2003	Petite	
2004/0086092	A1 *	5/2004	Fehr	379/37
2005/0172304	A1 *	8/2005	Tavares et al.	719/318
2008/0085696	A1 *	4/2008	Salahshour et al.	455/404.1

OTHER PUBLICATIONS

“Dispatch Console—Motorola CommandStar Lite,” CommUSA, http://www.commusa.com/catalog.aspx/Dispatch_Console, printed Aug. 15, 2007.

“Dispatch / Consoles,” Multi-Media Communications, http://www.mmc.net/dispatch_consoles.htm, printed Aug. 15, 2007.

Archive of “Telex Communications Announces the C-Soft VoIP Software Dispatch Console,” EMS Dispatch Equipment Press Releases, [http://www.exalead.com/search/C=eJwNzEEOhCAQRNE6jNsRHb1QB8rohEakIXj8YfeTi*wHvff5R7XZ3!pyuUPz1Vy4LEv1J592ZWWqg2j2KYwUo7I13fbFIYIJCYGHtFgRqSpYIHmc3hGTyUGjFH*iiz!ZsiVS/preview?q=www.jems.com%2fproducts%2fdispatchequipment%2fpress-releases%2f11340%2f&previewindex=0&url=http%3a%2f%2fwww.jems.com%2fproducts%2fdispatchequipment%2fpress-releases%2f11340%2f&\\$rcexpanded=false](http://www.exalead.com/search/C=eJwNzEEOhCAQRNE6jNsRHb1QB8rohEakIXj8YfeTi*wHvff5R7XZ3!pyuUPz1Vy4LEv1J592ZWWqg2j2KYwUo7I13fbFIYIJCYGHtFgRqSpYIHmc3hGTyUGjFH*iiz!ZsiVS/preview?q=www.jems.com%2fproducts%2fdispatchequipment%2fpress-releases%2f11340%2f&previewindex=0&url=http%3a%2f%2fwww.jems.com%2fproducts%2fdispatchequipment%2fpress-releases%2f11340%2f&$rcexpanded=false), printed Aug. 15, 2007.

Rebecca Spitz, “Real Estate Company Unveils New Radio System That Will Aid FDNY,” Internet news article, May 31, 2006; North American Group, LLC, Woodside, New York, United States. (<http://www.namsgroup.com/news1.htm>); See video at website.

* cited by examiner

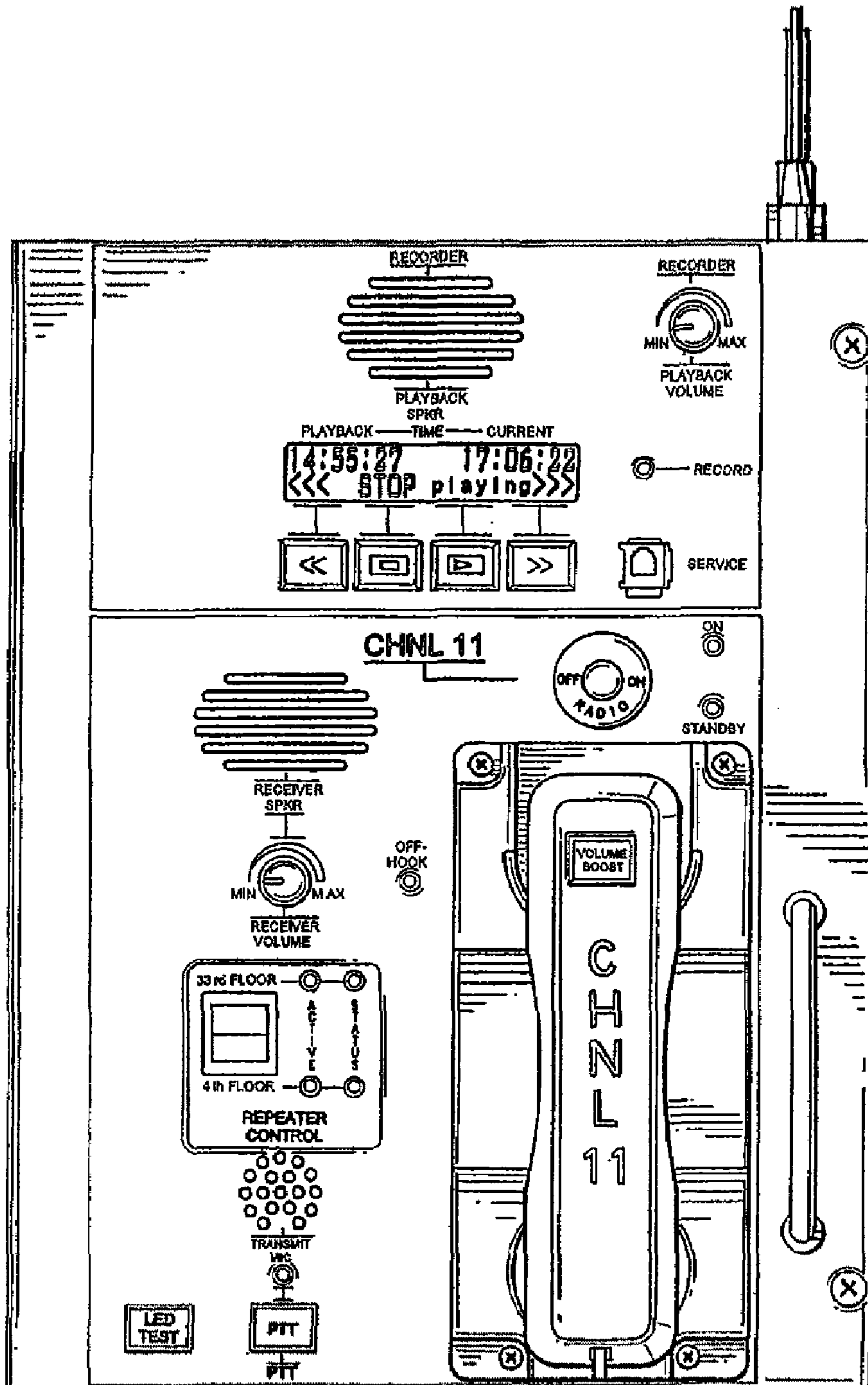


FIG. 1

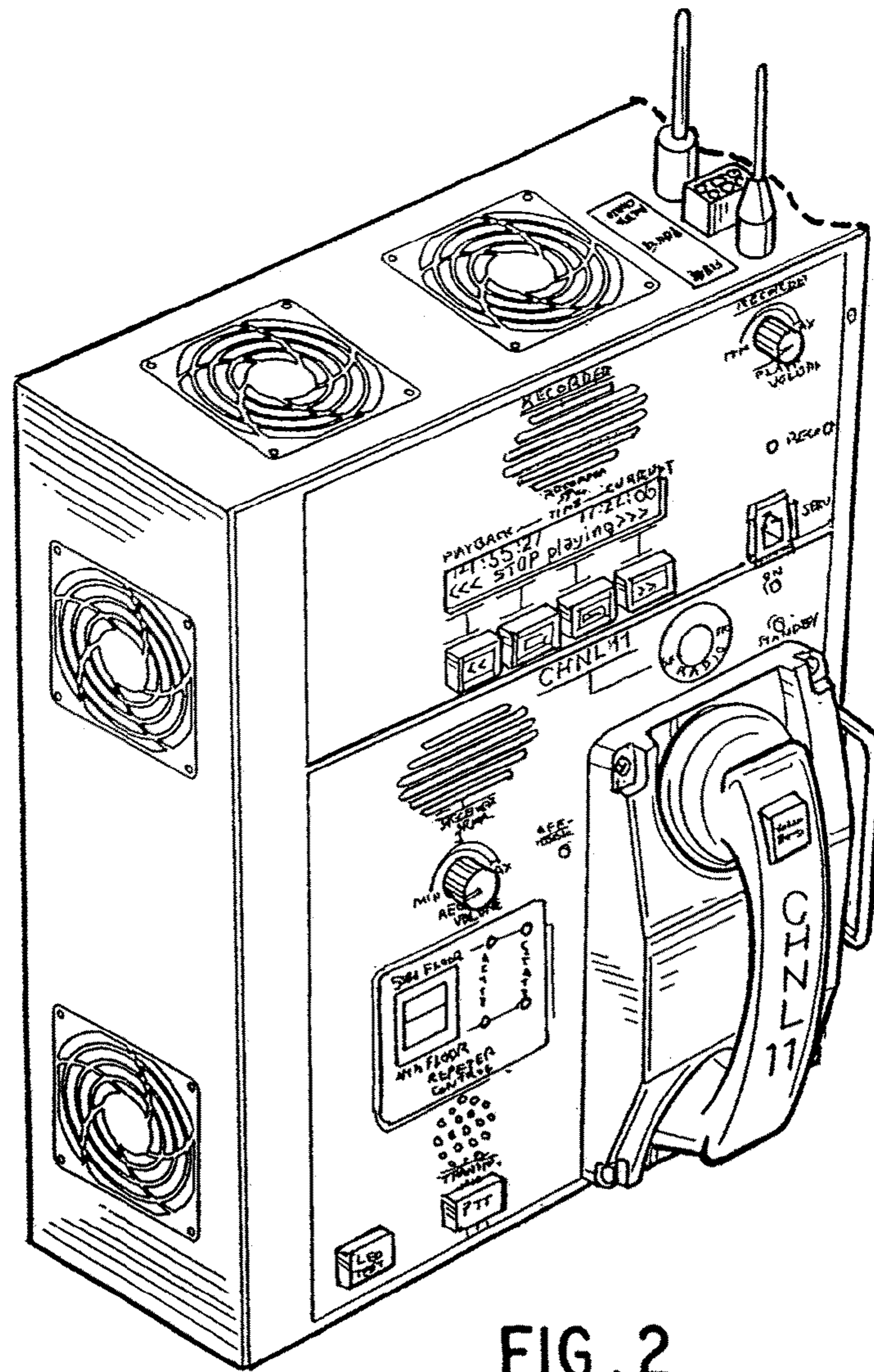


FIG. 2

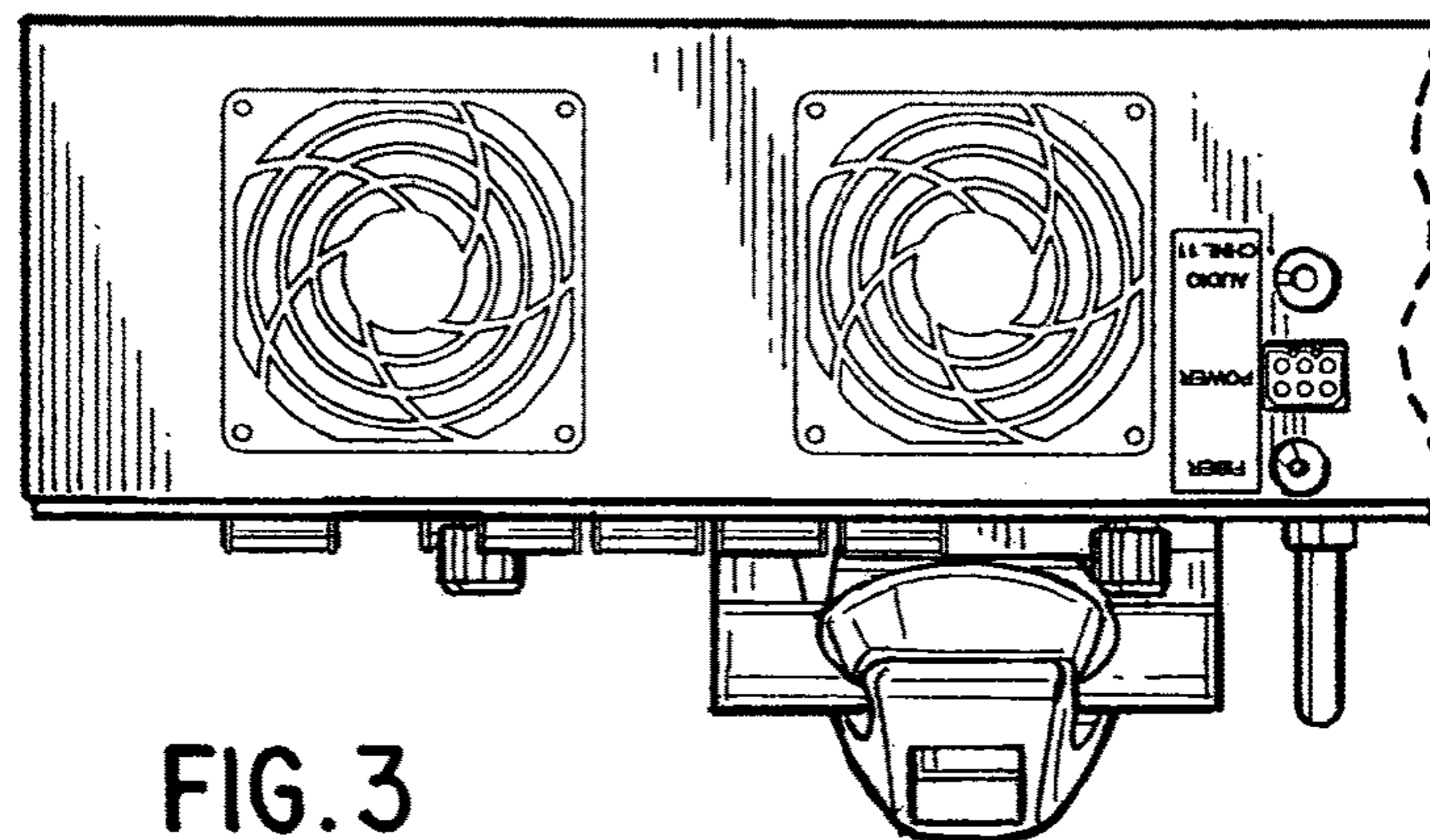


FIG. 3

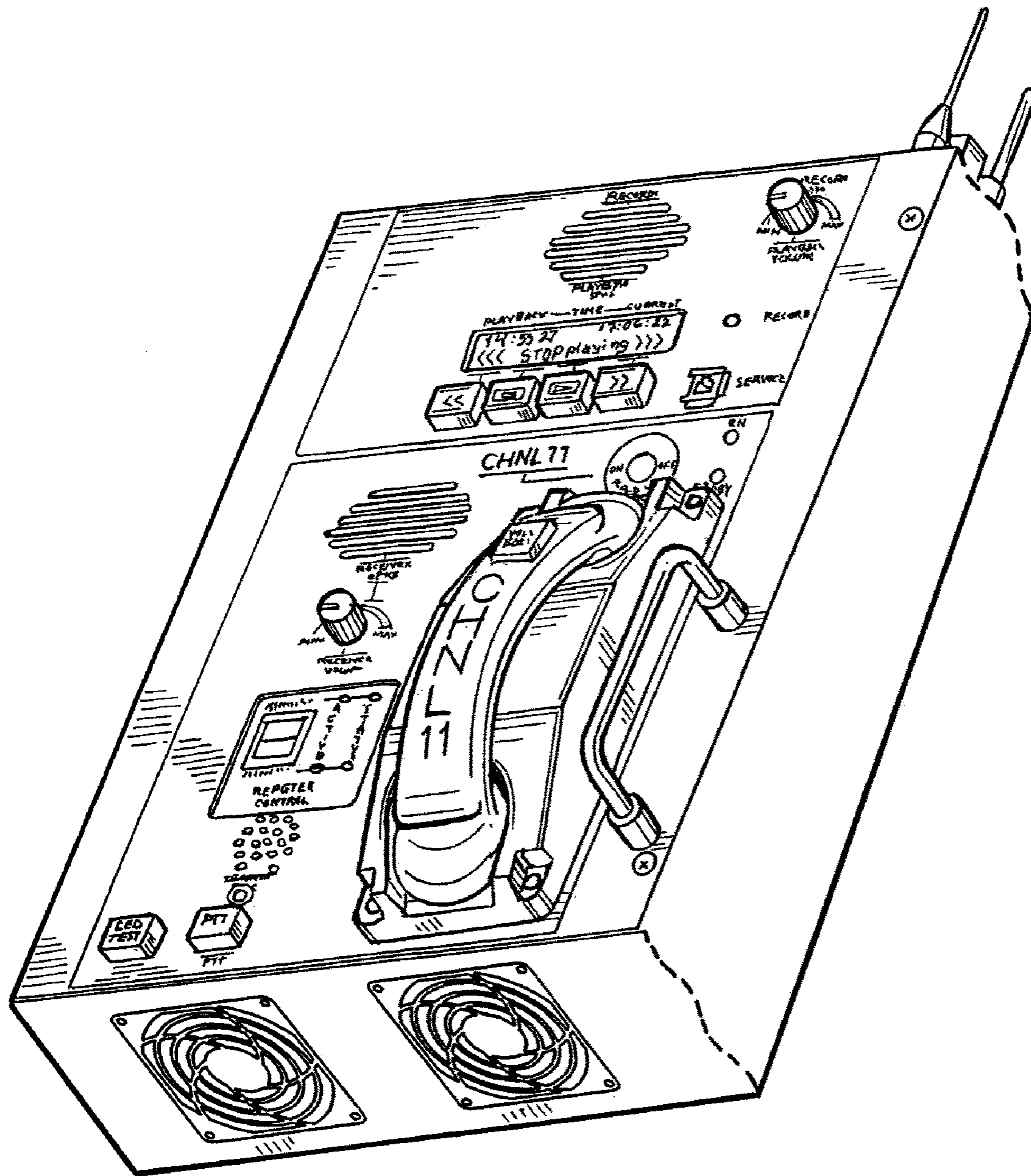


FIG. 4

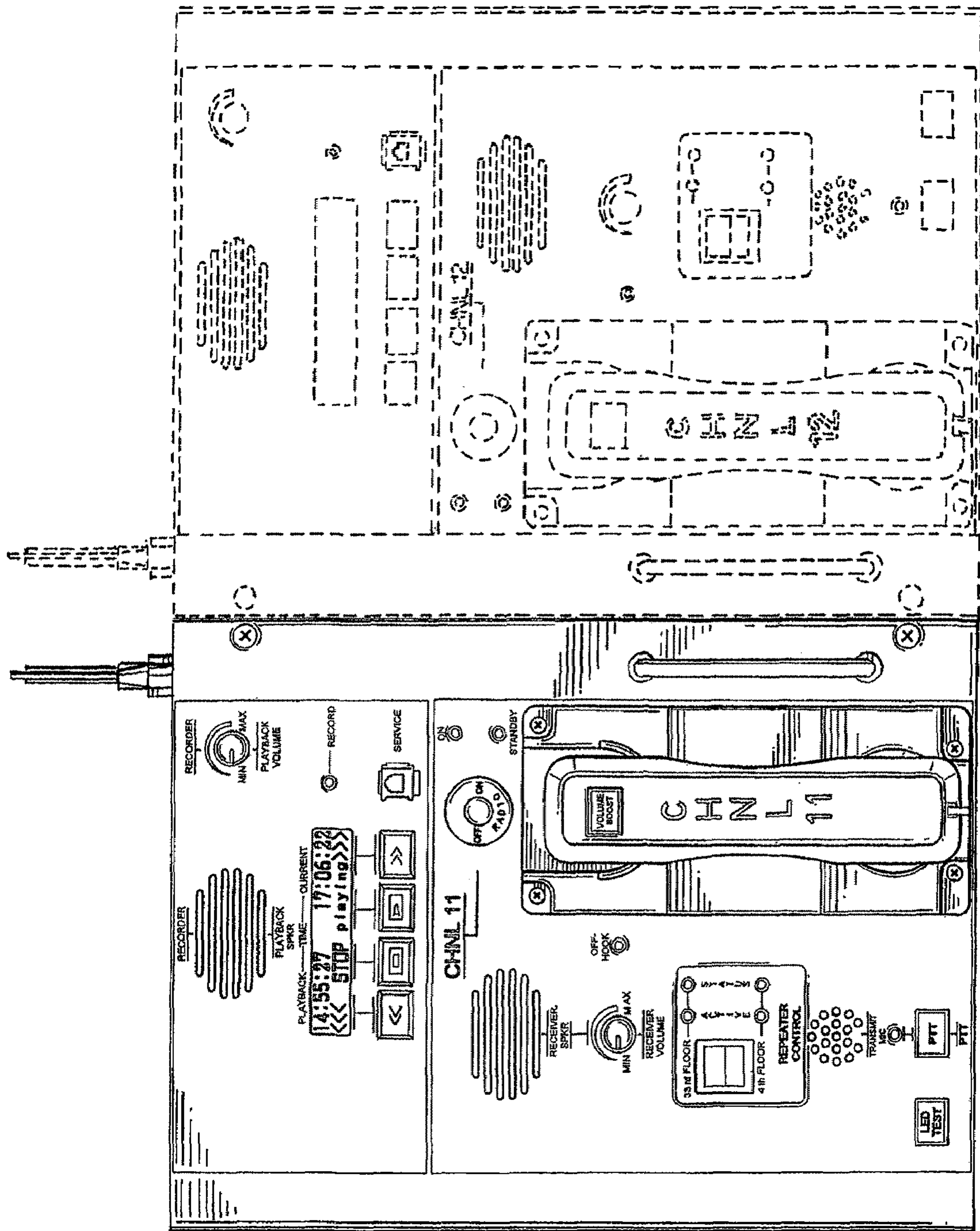


FIG. 5

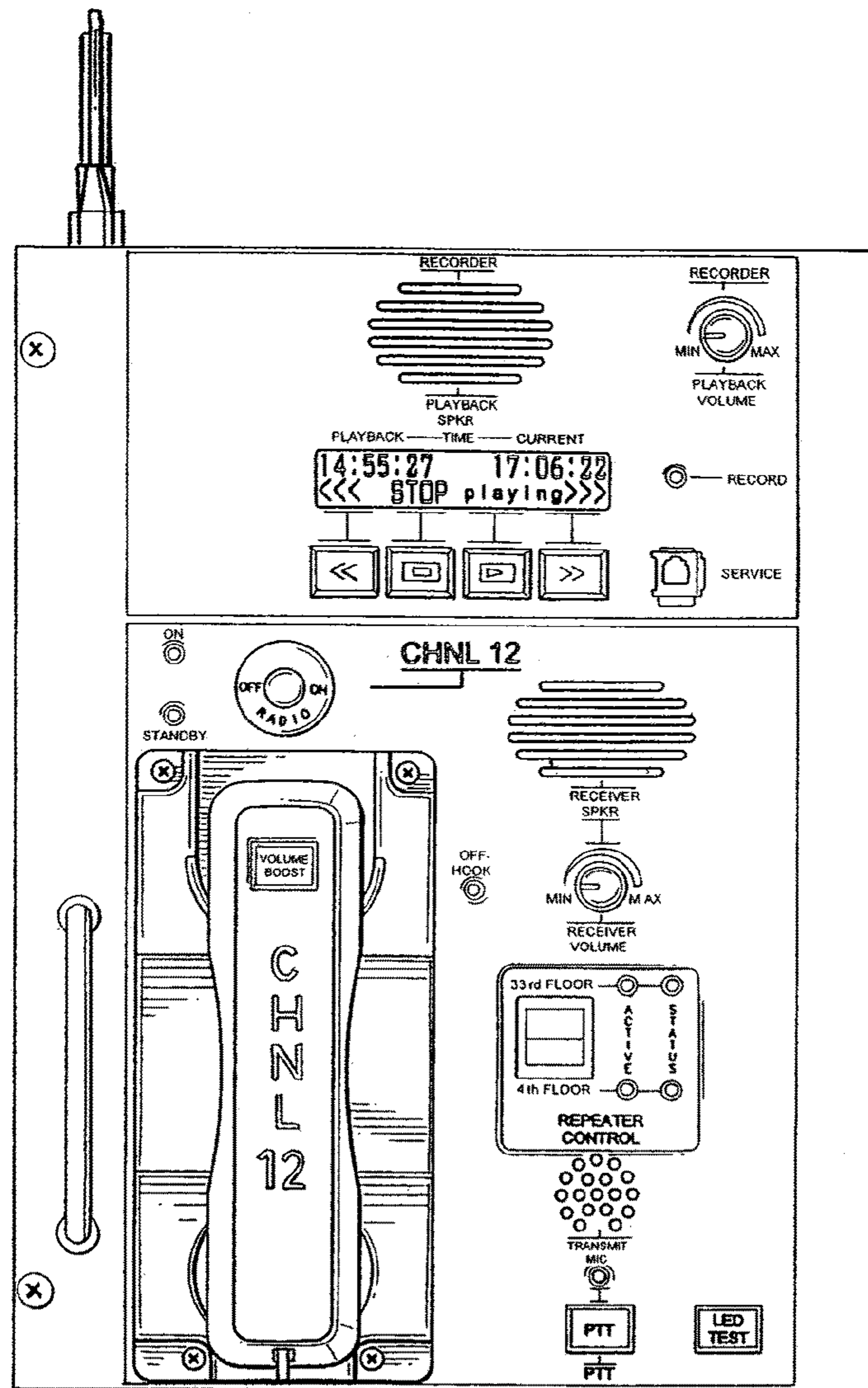


FIG. 6

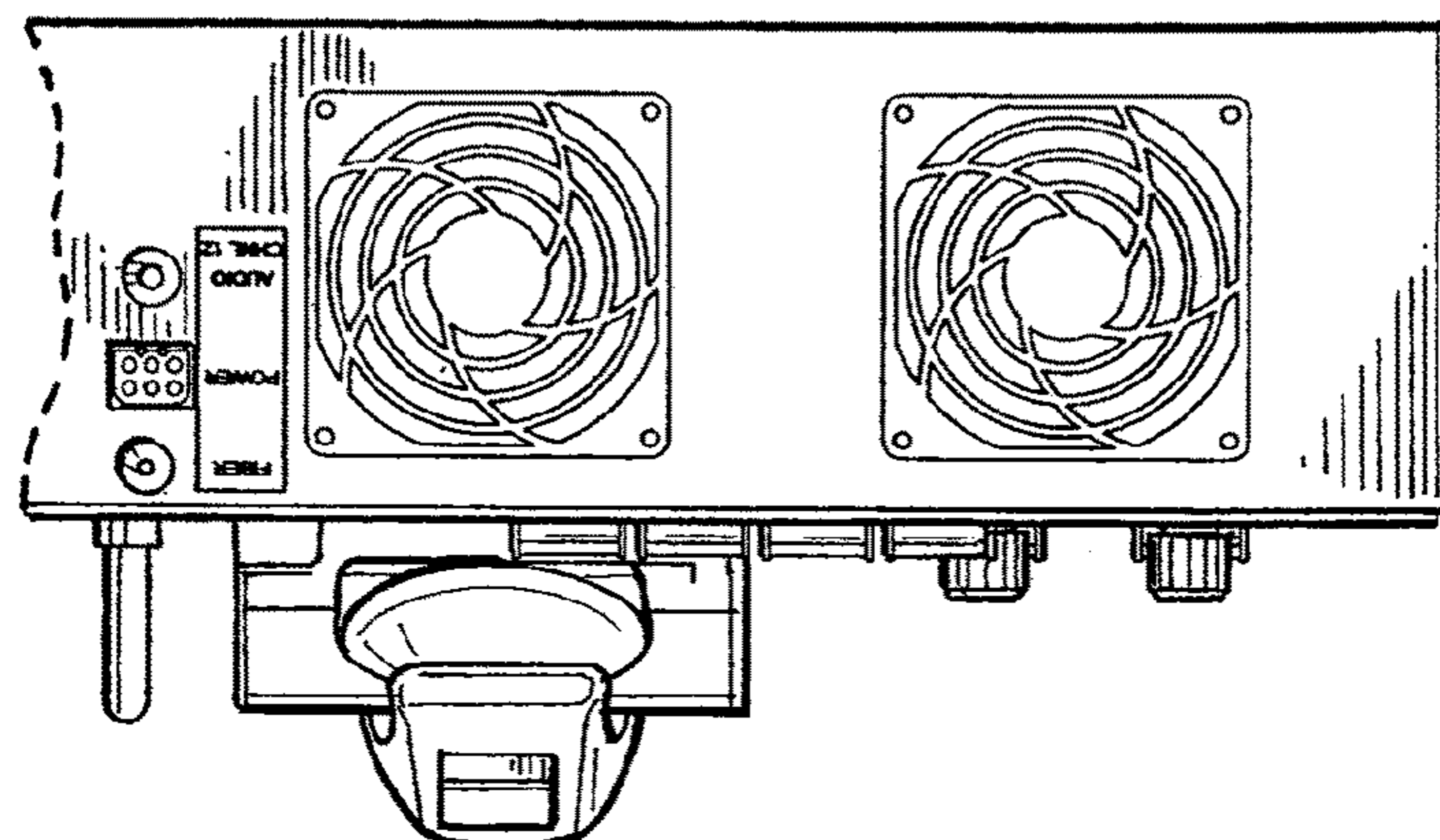


FIG. 7

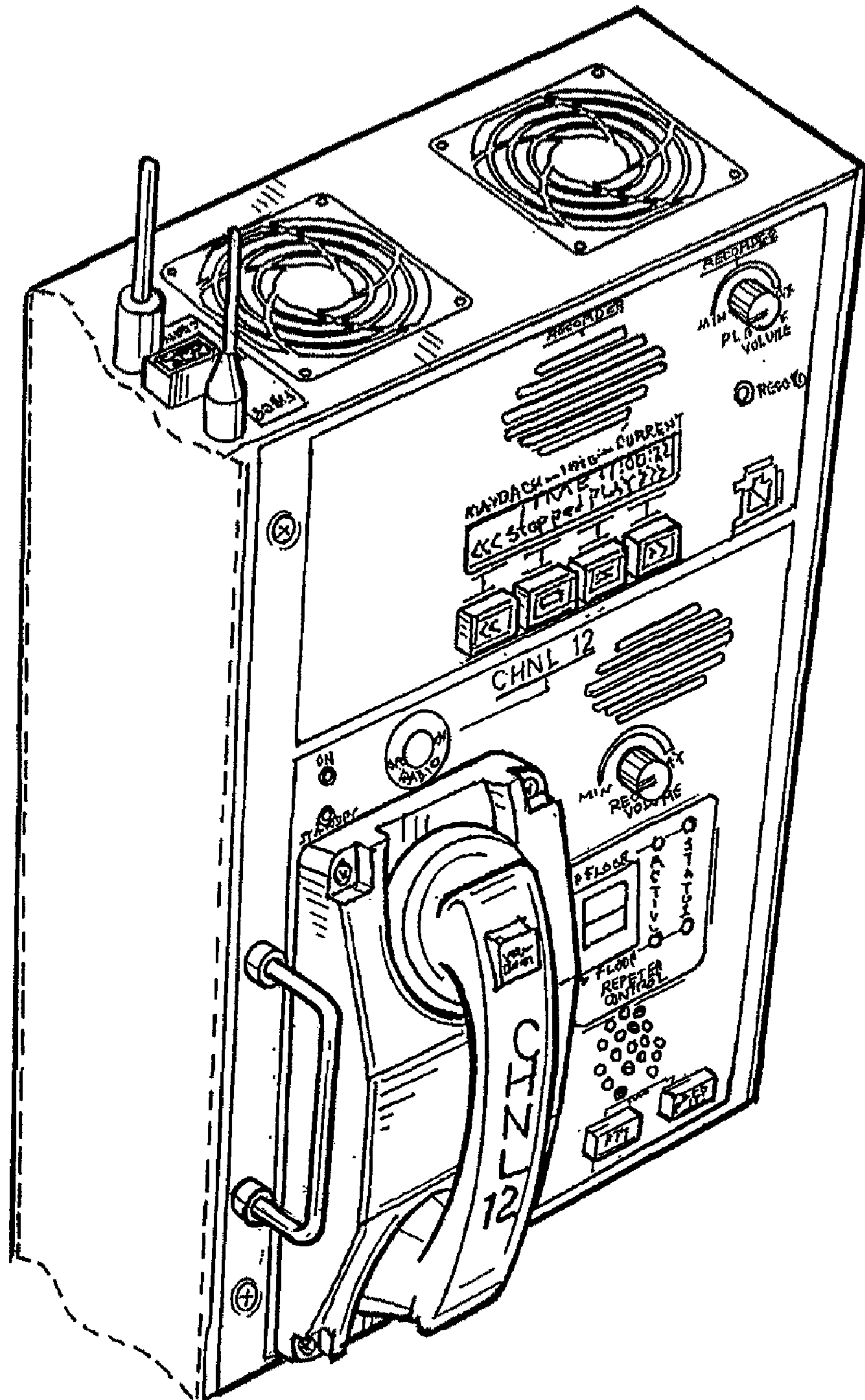


FIG. 8

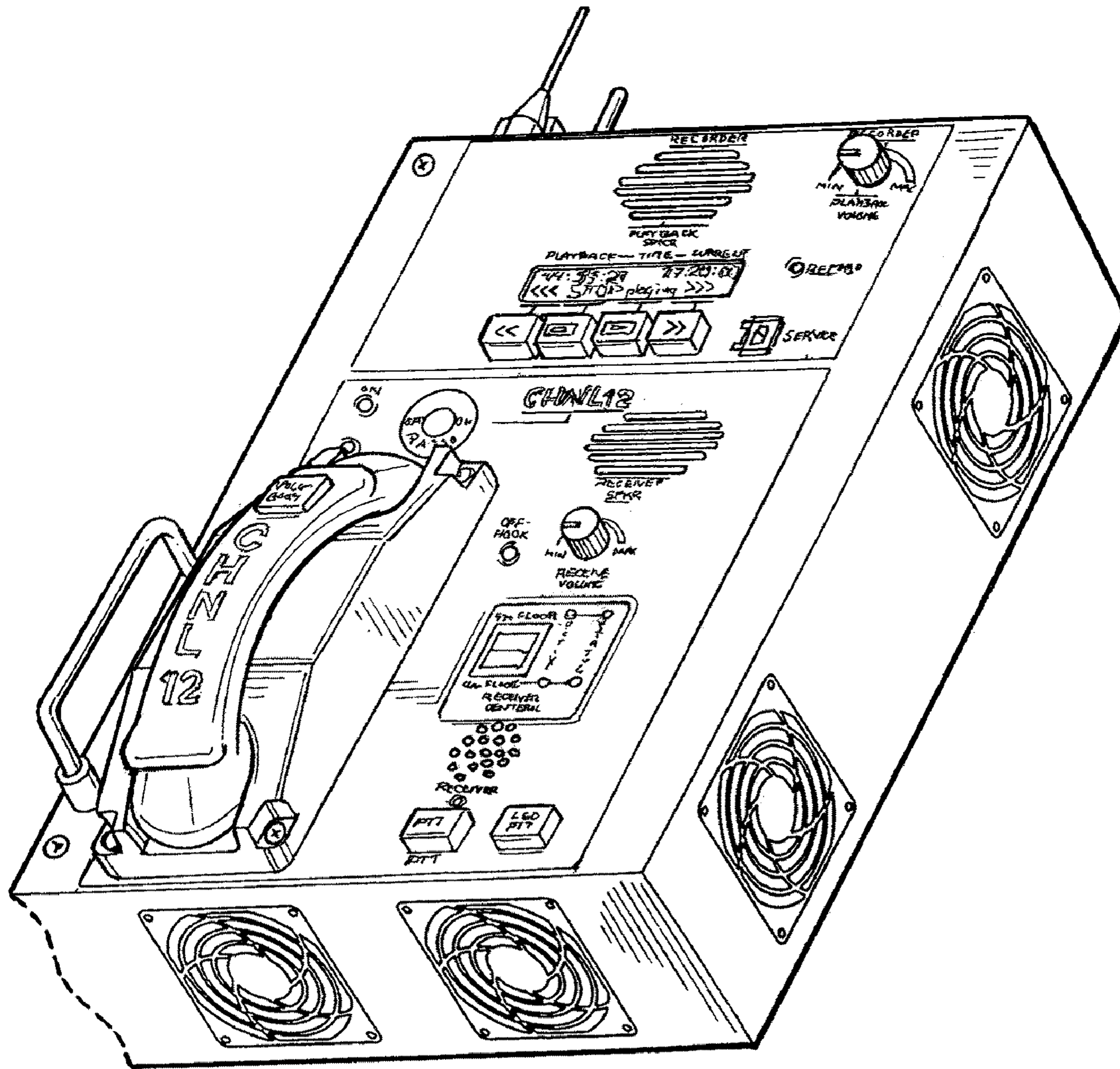


FIG. 9

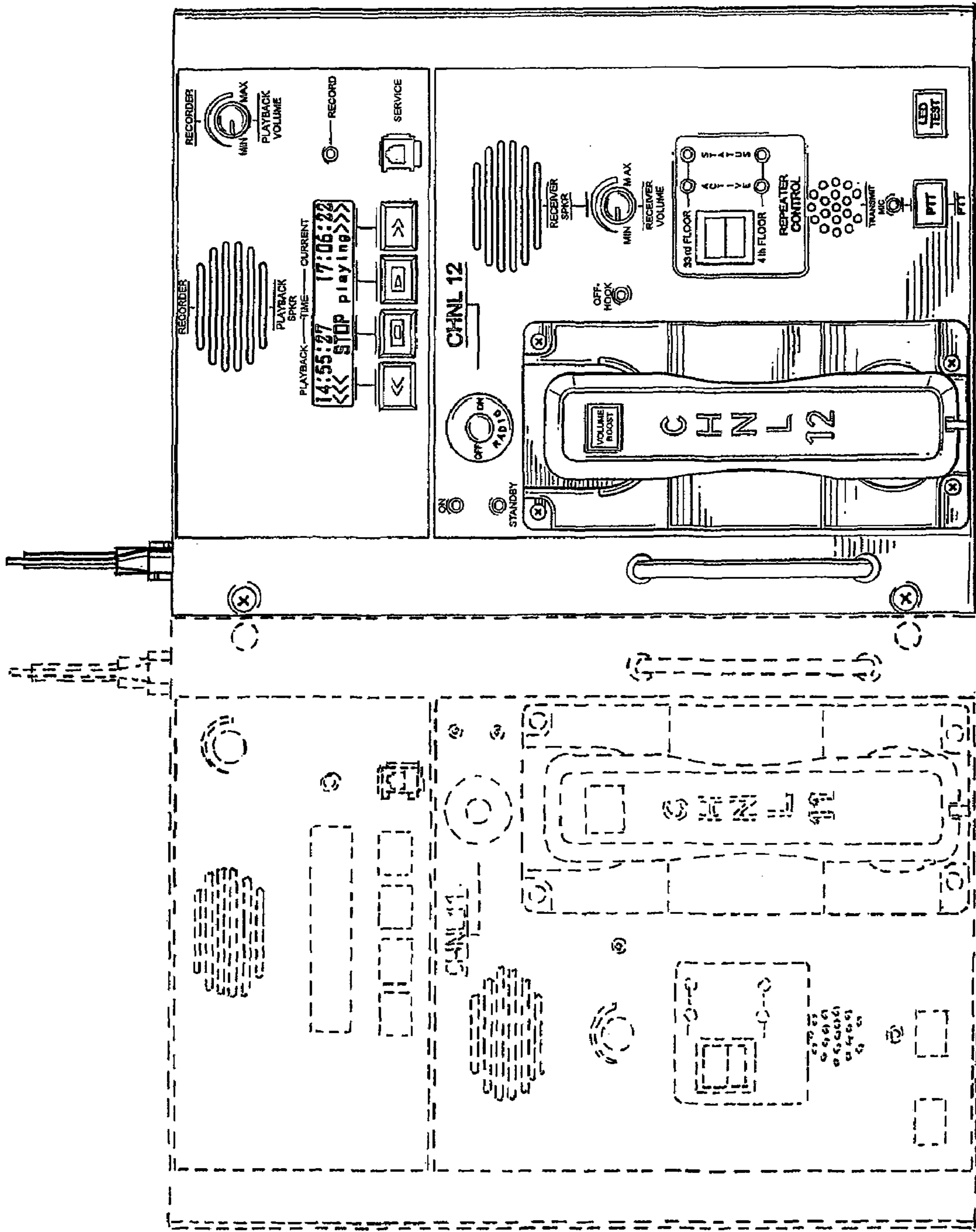


FIG. 10

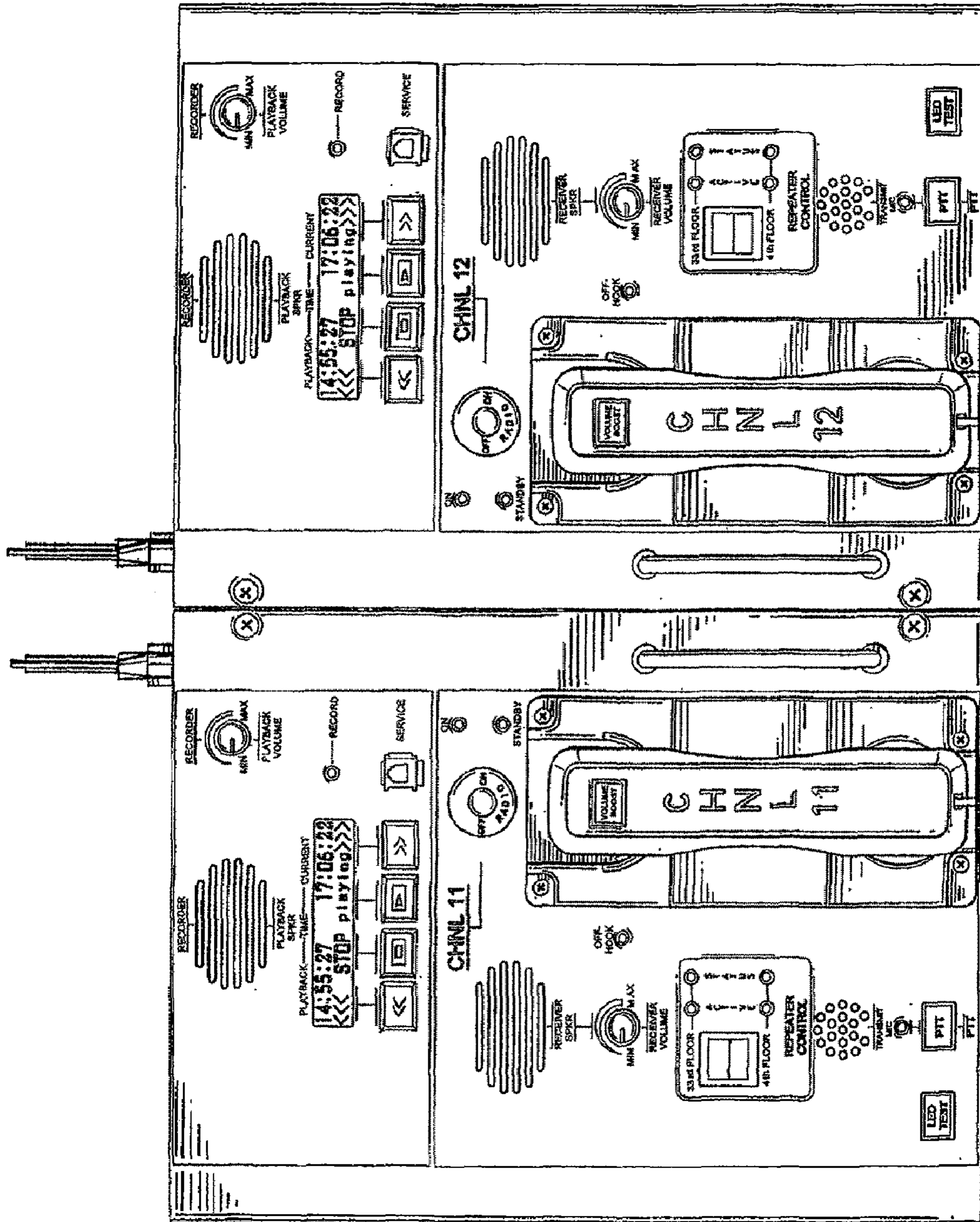


FIG. 11

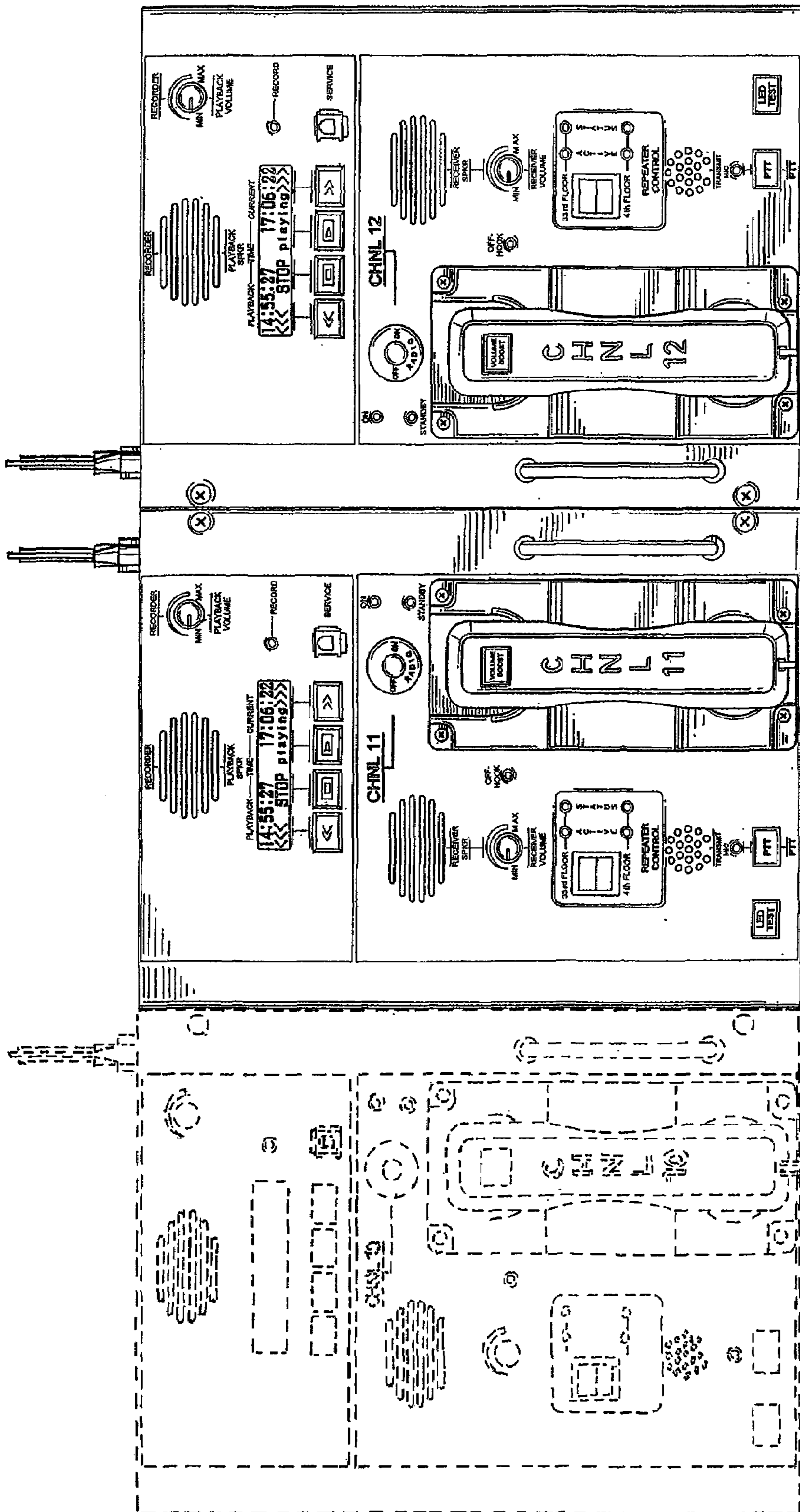


FIG. 12