

US00D610123S

(12) **United States Design Patent**
Youn et al.

(10) **Patent No.:** **US D610,123 S**

(45) **Date of Patent:** **** Feb. 16, 2010**

(54) **MOBILE PHONE**

(75) Inventors: **Ji-Hye Youn**, Seongnam-Si (KR);
Beom-Ku Han, Seoul (KR);
Chang-Hwan Hwang, Goyang-Si (KR)

(73) Assignee: **Samsung Electronics Co., Ltd.**,
Suwon-Si (KR)

(**) Term: **14 Years**

(21) Appl. No.: **29/336,169**

(22) Filed: **Apr. 29, 2009**

(30) **Foreign Application Priority Data**

Jan. 16, 2009 (KR) 30-2009-0001933

(51) **LOC (9) Cl.** **14-03**

(52) **U.S. Cl.** **D14/138 AA**

(58) **Field of Classification Search** D14/138 AA,
D14/138 R, 147, 341, 346, 345, 137; 455/575.1,
455/90.3, 556.1, 556.2, 575.4; 379/433.01,
379/433.04

See application file for complete search history.

(56) **References Cited**

U.S. PATENT DOCUMENTS

- D502,159 S * 2/2005 Chan et al. D14/138 AA
- D514,079 S * 1/2006 Lai D14/138 AA
- D524,786 S * 7/2006 Paradise et al. D14/138 AA
- D545,800 S * 7/2007 Ou et al. D14/138 AA
- D548,216 S * 8/2007 Pan et al. D14/138 AA
- D549,208 S * 8/2007 Huang et al. D14/138 AA
- D550,665 S * 9/2007 Griffin et al. D14/346
- D551,227 S * 9/2007 Griffin et al. D14/346
- D556,749 S * 12/2007 Rak et al. D14/346
- D563,378 S * 3/2008 Tseng et al. D14/138 AA
- D563,379 S * 3/2008 Mai et al. D14/138 AA
- D572,700 S * 7/2008 Kwon et al. D14/138 AA
- D573,970 S * 7/2008 Park D14/138 AA
- D576,593 S * 9/2008 Chang et al. D14/138 AA

- D581,923 S * 12/2008 Griffin et al. D14/346
- D583,352 S * 12/2008 Son et al. D14/138 AA
- D584,269 S * 1/2009 Baik et al. D14/138 AA
- D585,039 S * 1/2009 Wang et al. D14/138 AA
- D591,251 S * 4/2009 Laine et al. D14/138 AA
- D597,047 S * 7/2009 Jung et al. D14/138 AA
- D597,056 S * 7/2009 Tkachuk D14/138 AA
- D598,887 S * 8/2009 Xiao et al. D14/138 AA

(Continued)

OTHER PUBLICATIONS

Samsung T439 telephone, announced May 2009, [online], [site visited Sep. 16, 2009]. Available from Internet, <URL: <http://www.gsmarena.com>>.*

(Continued)

Primary Examiner—Jeffrey D Asch
(74) *Attorney, Agent, or Firm*—Staas & Halsey LLP

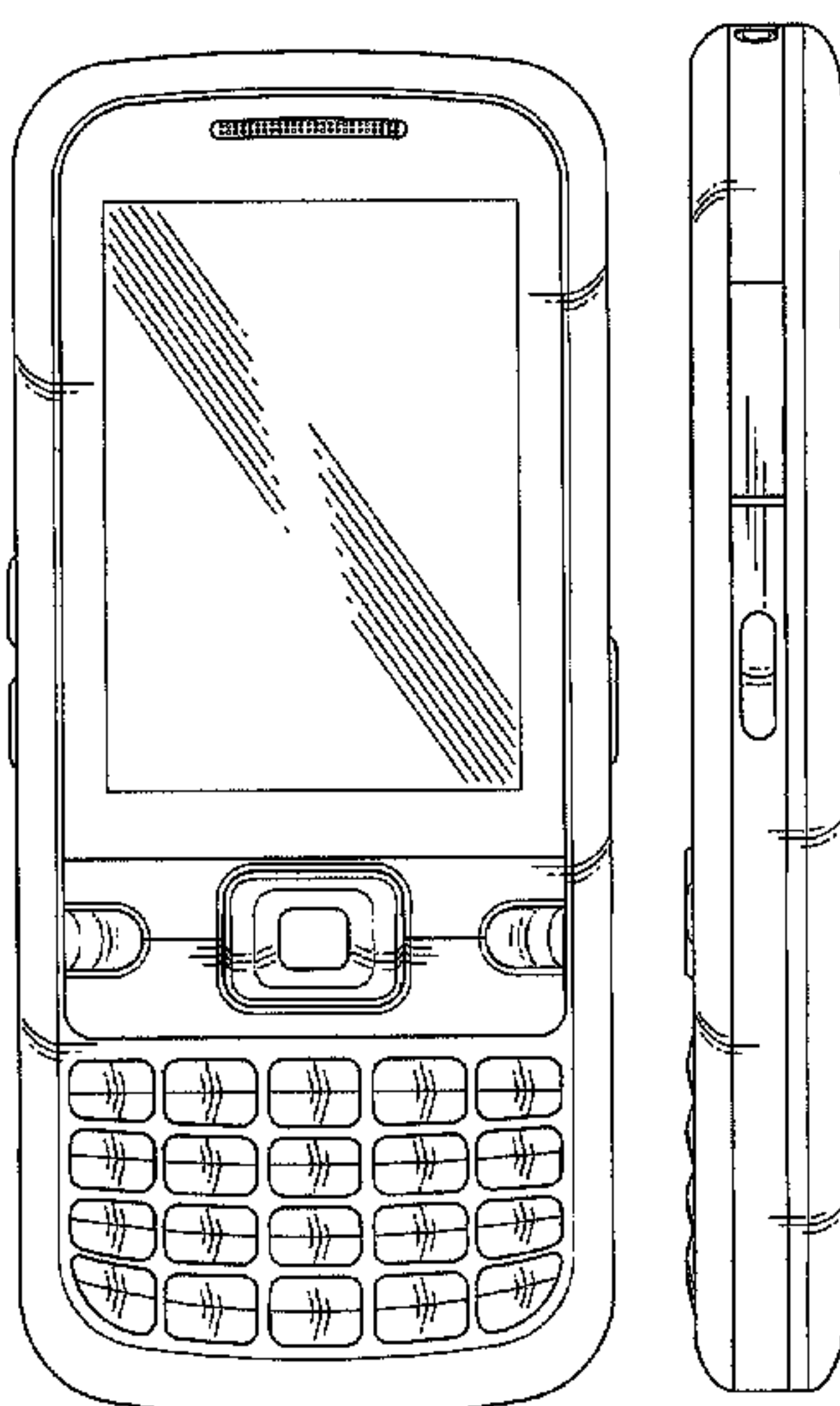
(57) **CLAIM**

The ornamental design for mobile phone, as shown and described.

DESCRIPTION

FIG. 1 is a front perspective view of a mobile phone;
FIG. 2 is a front view of the mobile phone of FIG. 1;
FIG. 3 is a rear view of the mobile phone of FIG. 1;
FIG. 4 is a left-side view of the mobile phone of FIG. 1;
FIG. 5 is a right-side view of the mobile phone of FIG. 1;
FIG. 6 is a top plan view of the mobile phone of FIG. 1; and,
FIG. 7 is a bottom plan view of the mobile phone of FIG. 1.

1 Claim, 4 Drawing Sheets



U.S. PATENT DOCUMENTS

D600,231 S * 9/2009 Lee et al. D14/138 AA
D600,665 S * 9/2009 Lee et al. D14/138 AA
D601,117 S * 9/2009 Hong et al. D14/138 AA
2008/0039156 A1 * 2/2008 Lee et al. 455/575.1
2009/0174666 A1 * 7/2009 Matsuoka 345/169

OTHER PUBLICATIONS

HP iPAQ Voice Messenger telephone, announced Oct. 2008, [online],
[site visited Sep. 16, 2009]. Available from Internet , <URL: <http://www.gsmarena.com>>.*

Asus P750 telephone, announced Aug. 2007, [online], [site visited
Sep. 16, 2009]. Available from Internet , <URL: <http://www.gsmarena.com>>.*

BenQ-Siemens P51 telephone, announced Mar. 2006, [online], [site
visited Sep. 16, 2009]. Available from Internet , <URL: <http://www.gsmarena.com>>.*

Huawei U121 telephone, announced 2nd quarter 2007, [online], [site
visited Sep. 16, 2009]. Available from Internet , <URL: <http://www.gsmarena.com>>.*

i-mobile 518 telephone, announced Dec. 2007, [online], [site visited
Sep. 16, 2009]. Available from Internet , <URL: <http://www.gsmarena.com>>.*

* cited by examiner

FIG. 1

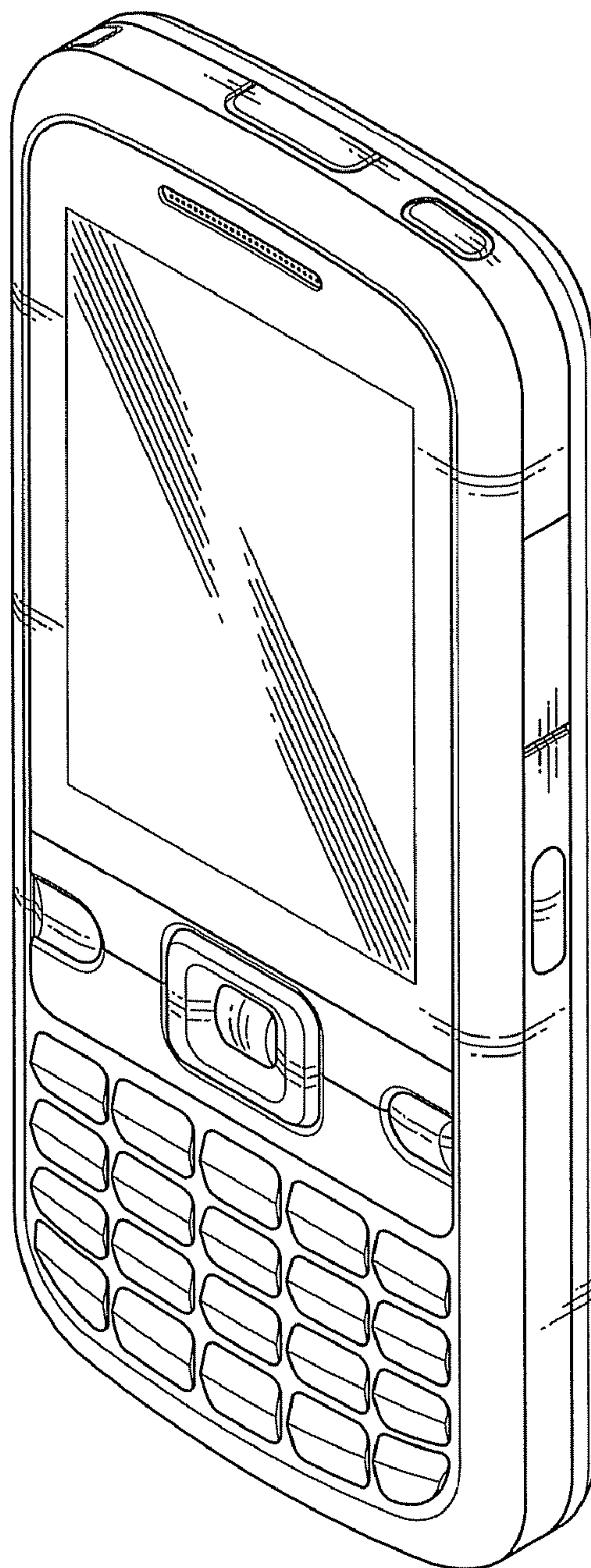


FIG. 2

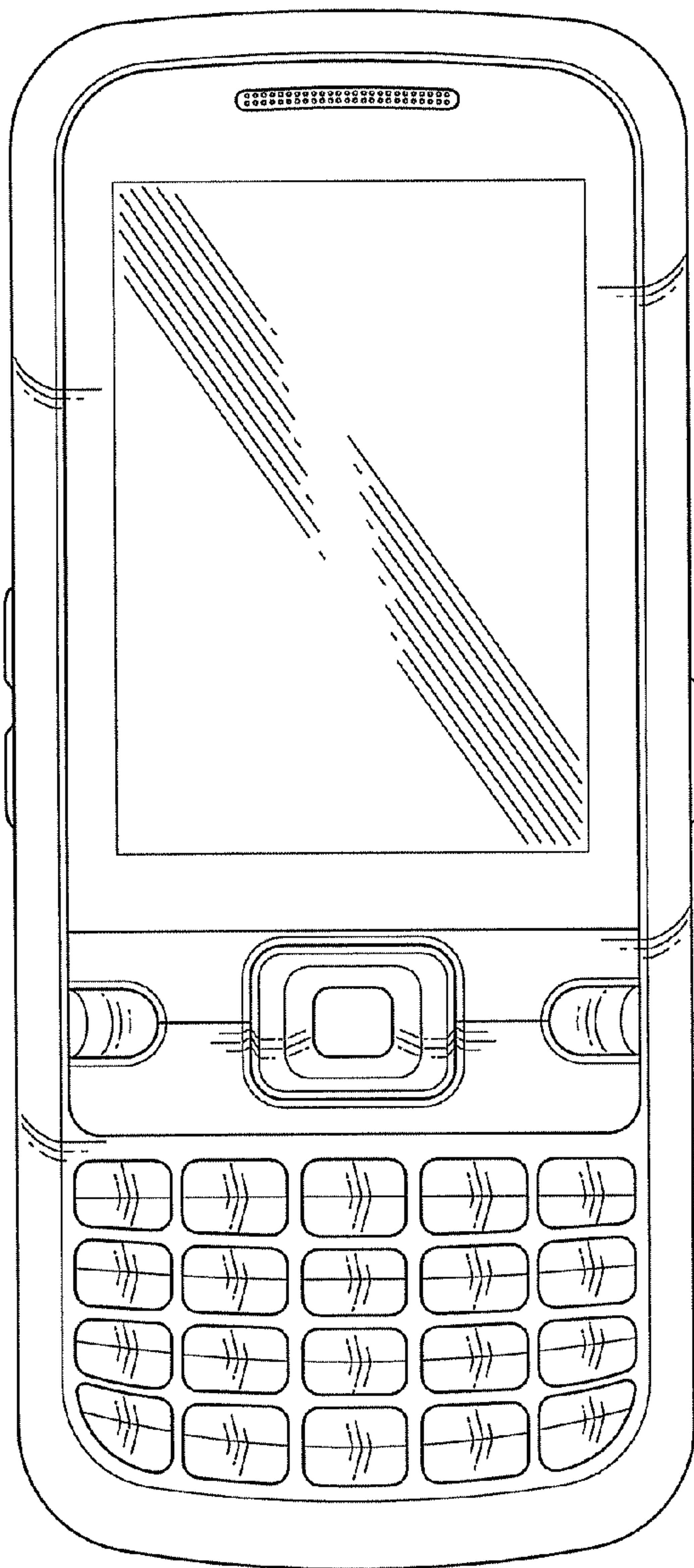


FIG. 3

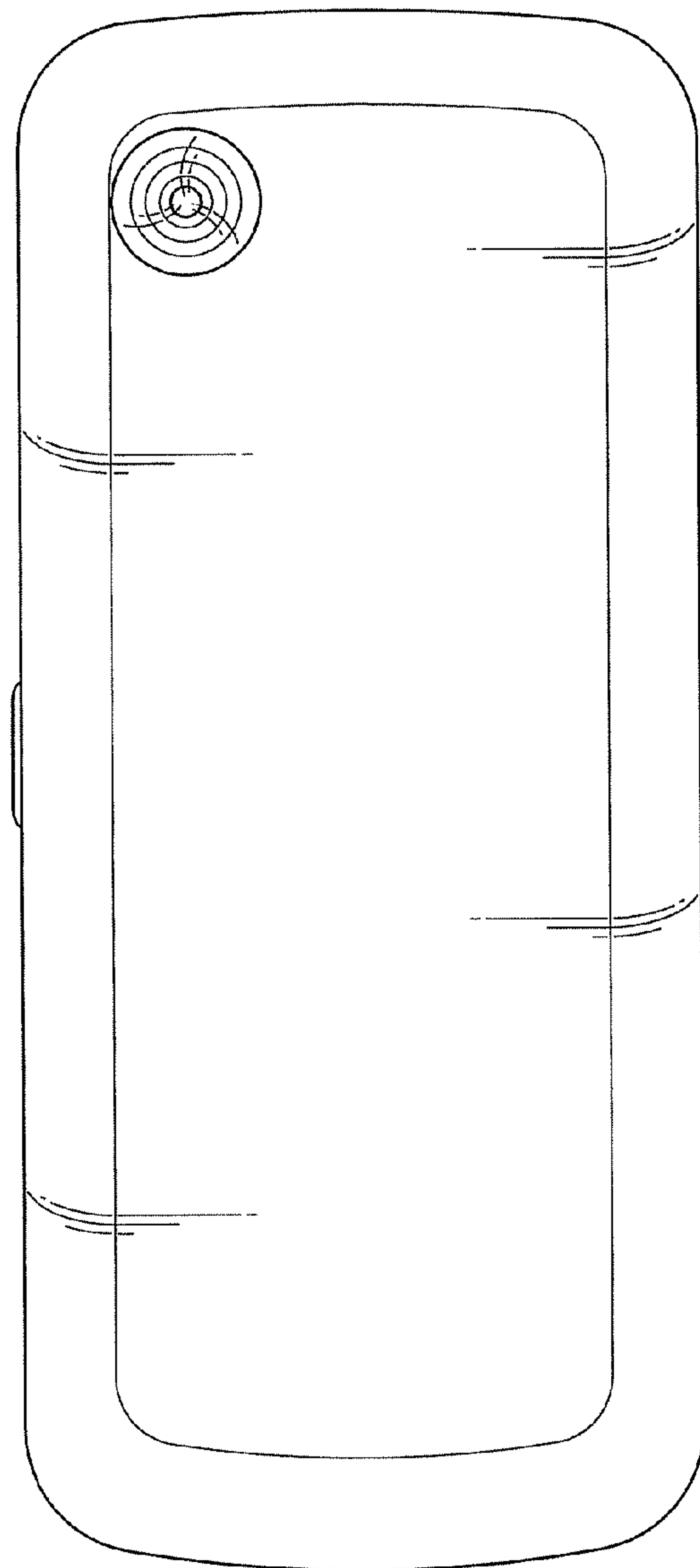


FIG. 4

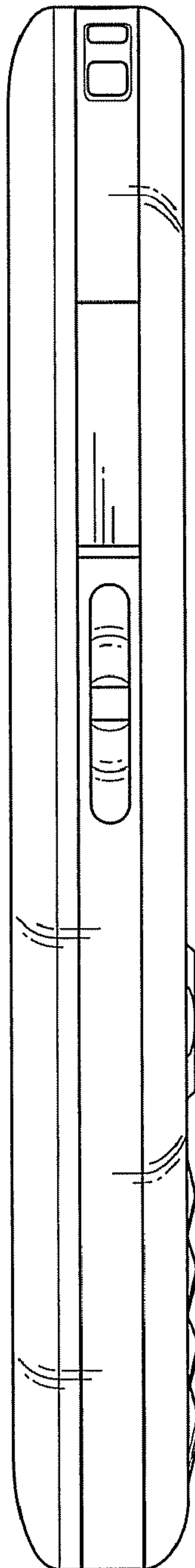


FIG. 5

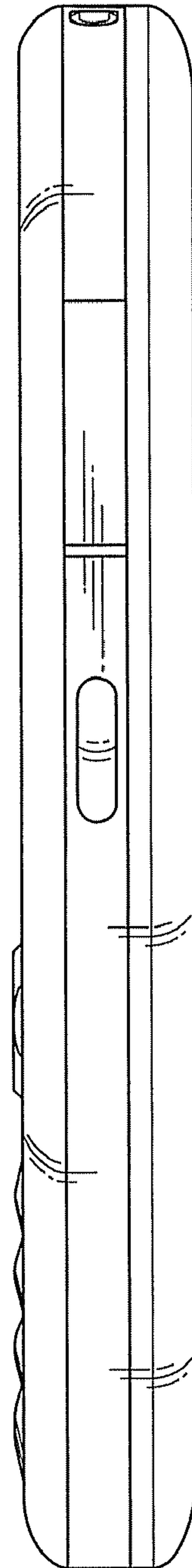


FIG. 6

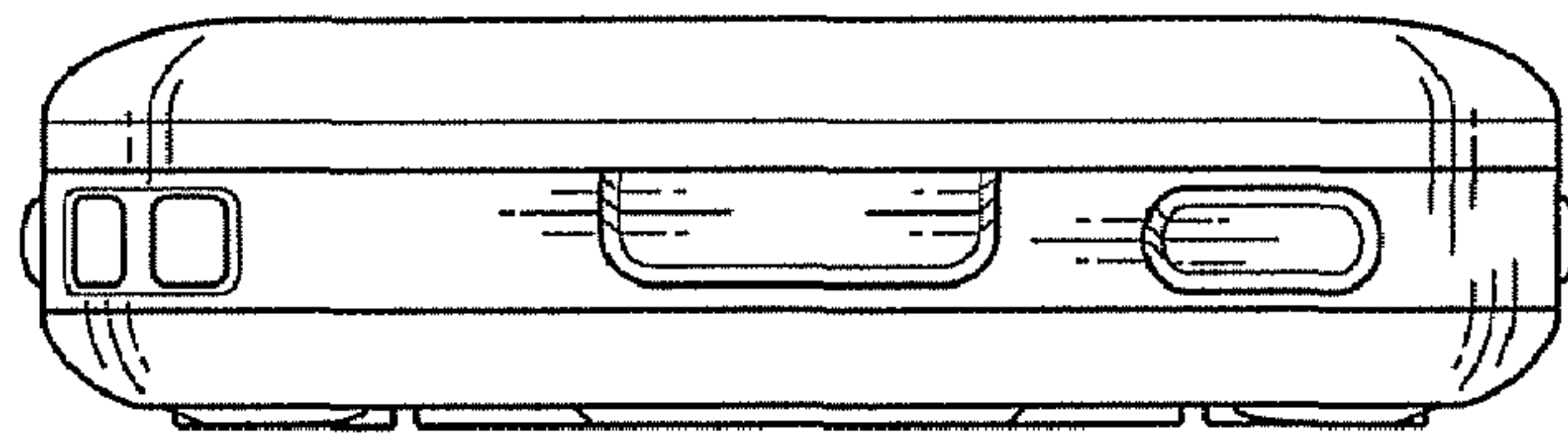


FIG. 7

