



US00D610122S

(12) **United States Design Patent**  
**Kim et al.**

(10) **Patent No.:** **US D610,122 S**

(45) **Date of Patent:** **\*\* Feb. 16, 2010**

(54) **MOBILE PHONE**

(75) Inventors: **Woon Hyoung Kim**, Seoul (KR); **Eui Seok Lee**, Gyeonggi-do (KR); **Won Seok Choi**, Gyeonggi-do (KR)

(73) Assignee: **LG Electronics Inc.**, Seoul (KR)

(\*\*) Term: **14 Years**

(21) Appl. No.: **29/333,660**

(22) Filed: **Mar. 12, 2009**

(30) **Foreign Application Priority Data**

Sep. 25, 2008 (KR) ..... 30-2008-0041395

(51) **LOC (9) Cl.** ..... **14-03**

(52) **U.S. Cl.** ..... **D14/138 AA; D14/138 AD**

(58) **Field of Classification Search** ..... D14/138 AA, D14/138 R, 138 AD, 147, 341, 346, 345, D14/137; 455/575.1, 90.3, 556.1, 556.2, 455/575.4; 379/433.01, 433.04

See application file for complete search history.

(56) **References Cited**

**U.S. PATENT DOCUMENTS**

- D498,735 S \* 11/2004 Chen et al. .... D14/138 AA
- D514,079 S \* 1/2006 Lai ..... D14/138 AA
- D523,837 S \* 6/2006 Lee ..... D14/138 AA
- D524,786 S \* 7/2006 Paradise et al. .... D14/138 AA
- D539,775 S \* 4/2007 Park et al. .... D14/138 AA
- D545,801 S \* 7/2007 Joung ..... D14/138 AA
- D546,316 S \* 7/2007 Wu et al. .... D14/138 AA
- D549,208 S \* 8/2007 Huang et al. .... D14/138 AA
- D555,621 S \* 11/2007 Seo ..... D14/138 AA
- D559,222 S \* 1/2008 Chen ..... D14/138 AA
- D562,314 S \* 2/2008 Han et al. .... D14/248
- D572,692 S \* 7/2008 Kim et al. .... D14/138 AA
- D573,970 S \* 7/2008 Park ..... D14/138 AA
- D575,255 S \* 8/2008 De Leon et al. .... D14/138 AA
- D576,993 S \* 9/2008 Park et al. .... D14/138 AA
- D580,405 S \* 11/2008 Lim et al. .... D14/138 AA
- D583,343 S \* 12/2008 Lee et al. .... D14/138 AA
- D583,352 S \* 12/2008 Son et al. .... D14/138 AA

- D591,251 S \* 4/2009 Laine et al. .... D14/138 AA
- D593,052 S \* 5/2009 Hung ..... D14/138 AA
- D598,413 S \* 8/2009 Chen ..... D14/138 AA
- D598,416 S \* 8/2009 Kangasmaa et al. .. D14/138 AA
- D601,115 S \* 9/2009 Kim et al. .... D14/138 AA
- D601,117 S \* 9/2009 Hong et al. .... D14/138 AA
- 2006/0135229 A1\* 6/2006 Kwak et al. .... 455/575.4

**OTHER PUBLICATIONS**

Samsung T459 Gravity telephone, announced Nov. 2008, [online], [site visited Sep. 16, 2009]. Available from Internet , <URL: http://www.gsmarena.com>.\*

Samsung T469 Gravity 2 telephone, announced Jul. 2009, [online], [site visited Sep. 16, 2009]. Available from Internet , <URL: http://www.gsmarena.com>.\*

Motorola A630 telephone, announced 1<sup>st</sup> quarter 2004, [online], [site visited Sep. 16, 2009]. Available from Internet , <URL: http://www.gsmarena.com>.\*

(Continued)

*Primary Examiner*—Jeffrey D Asch

(74) *Attorney, Agent, or Firm*—Birch, Stewart, Kolasch & Birch, LLP

(57) **CLAIM**

The ornamental design for a mobile phone, as shown and described.

**DESCRIPTION**

FIG. 1 is a perspective view of a mobile phone showing our new design;

FIG. 2 is a front view thereof;

FIG. 3 is a rear view thereof;

FIG. 4 is a left side view thereof;

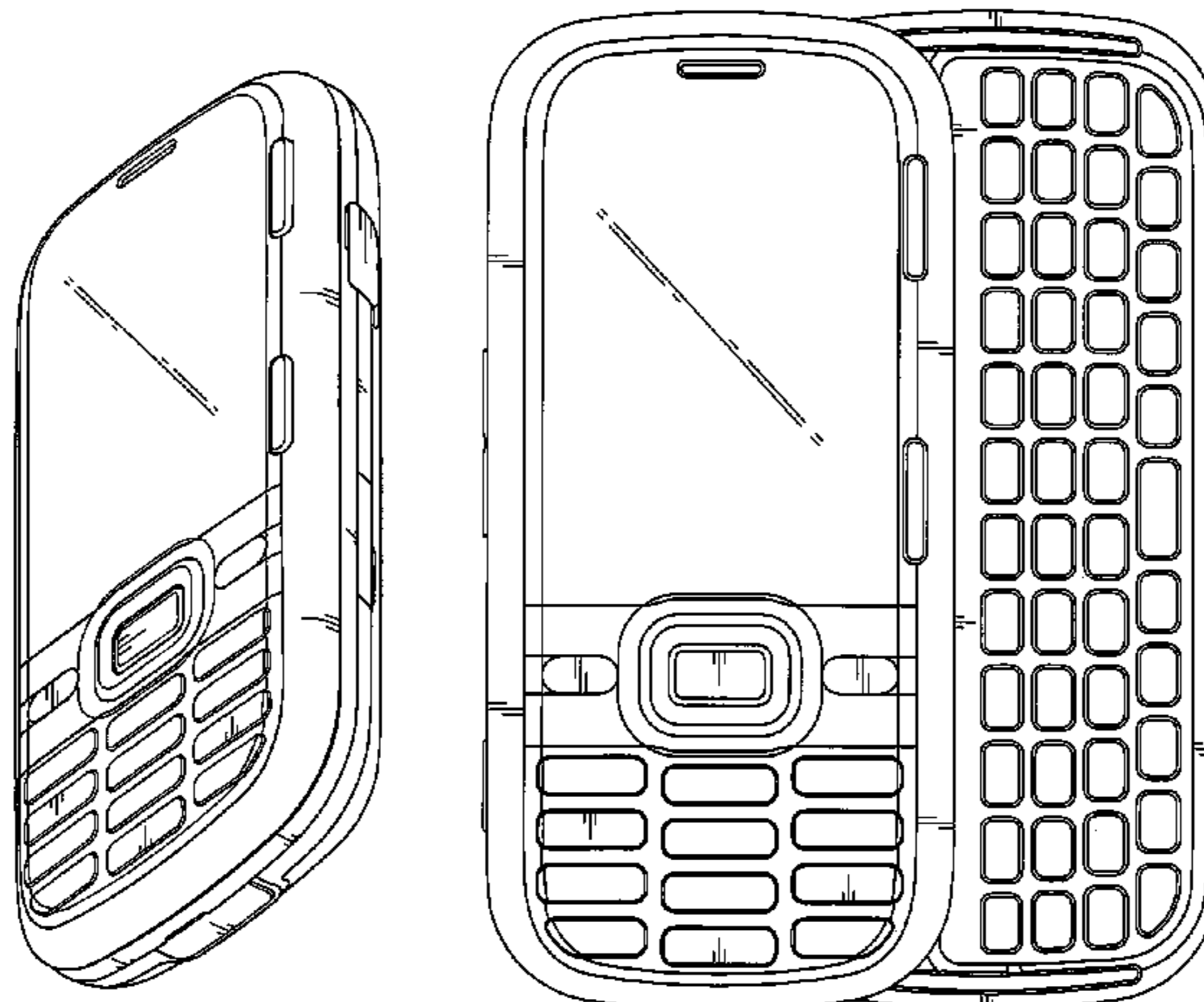
FIG. 5 is a right side view thereof;

FIG. 6 is a top plan view thereof;

FIG. 7 is a bottom plan view thereof; and,

FIG. 8 is a front view thereof in a condition that the upper body thereof is slided leftward and the inner key pad is exposed.

**1 Claim, 7 Drawing Sheets**



OTHER PUBLICATIONS

HTC S710 telephone, announced Feb. 2007, [online], [site visited Sep. 16, 2009]. Available from Internet , <URL: <http://www.gsmarena.com>>.\*

HTC S730 telephone, announced Oct. 2007, [online], [site visited Sep. 16, 2009]. Available from Internet , <URL: <http://www.gsmarena.com>>.\*

Siemens SK65 telephone, announced 3<sup>rd</sup> quarter 2004, [online], [site visited Sep. 16, 2009]. Available from Internet , <URL: <http://www.gsmarena.com>>.\*

NEC e122 telephone, announced 4<sup>th</sup> quarter 2005, [online], [site visited Sep. 16, 2009]. Available from Internet , <URL: <http://www.gsmarena.com>>.\*

\* cited by examiner

FIG. 1

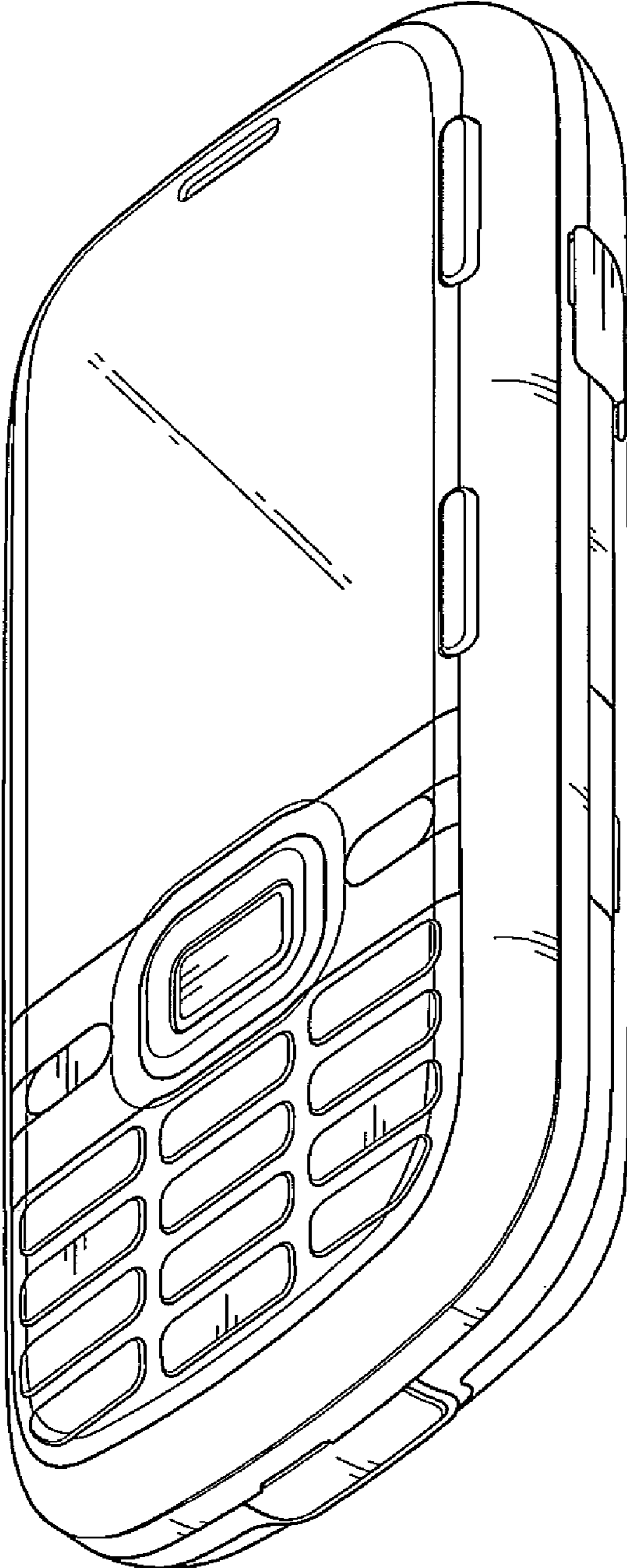


FIG. 2

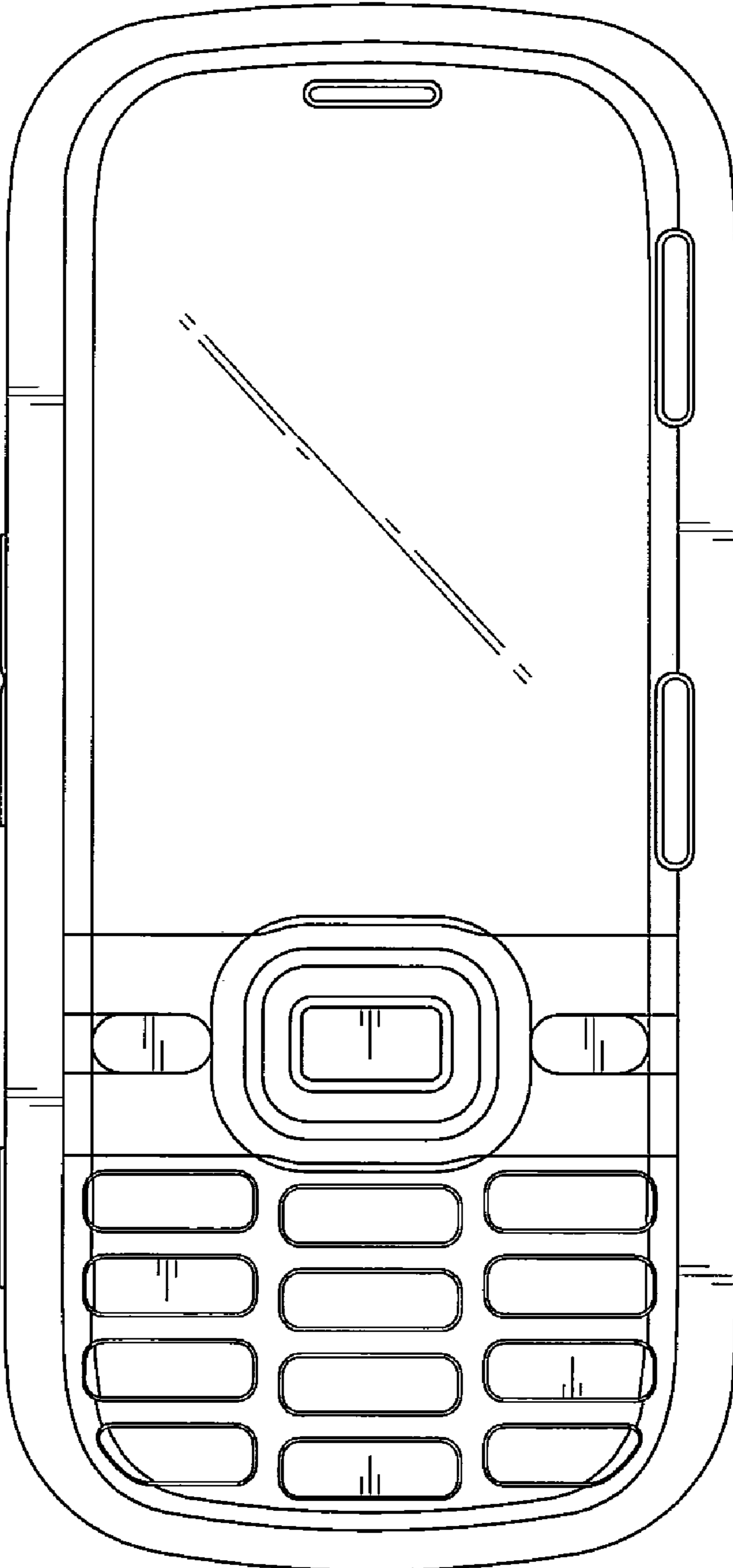


FIG. 3

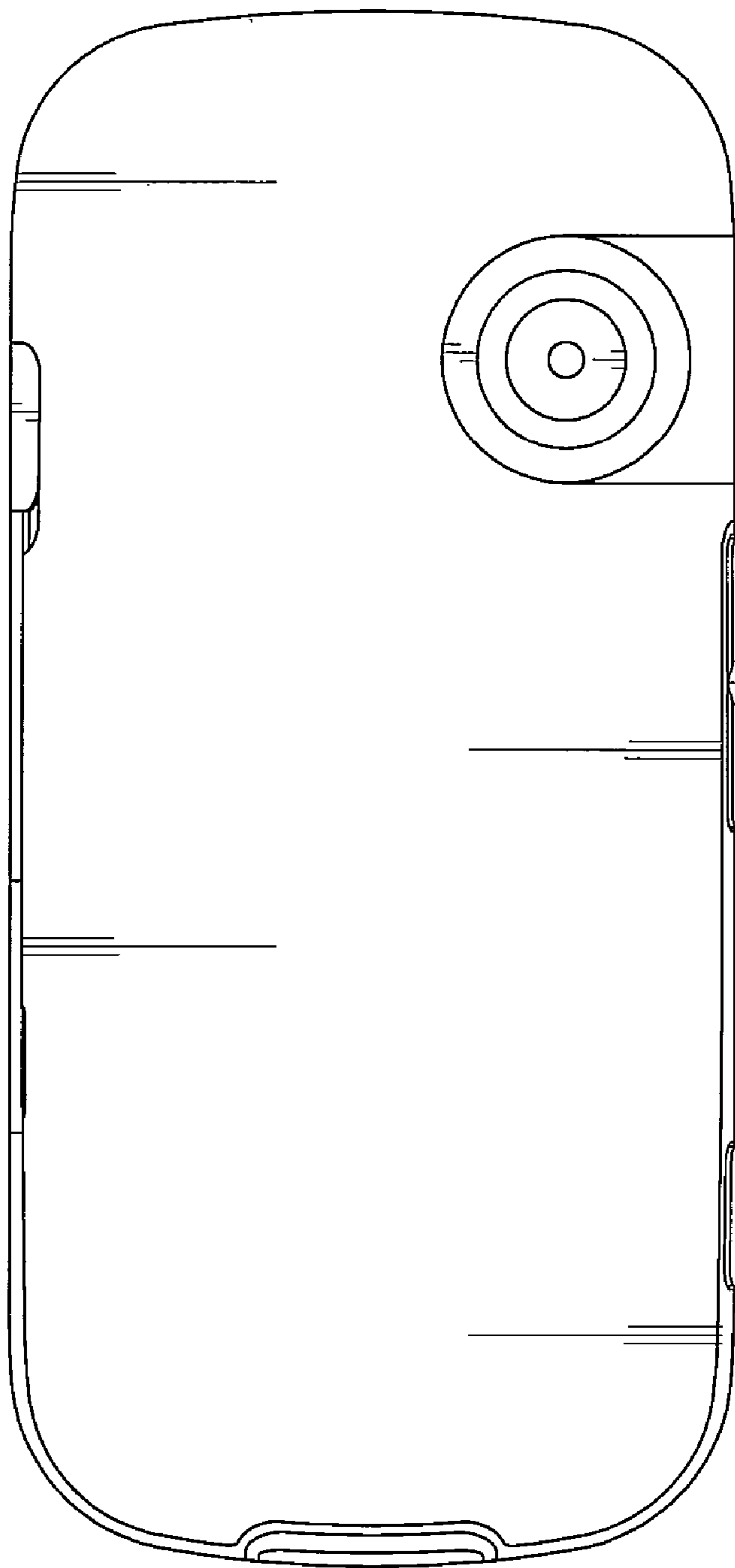


FIG. 4

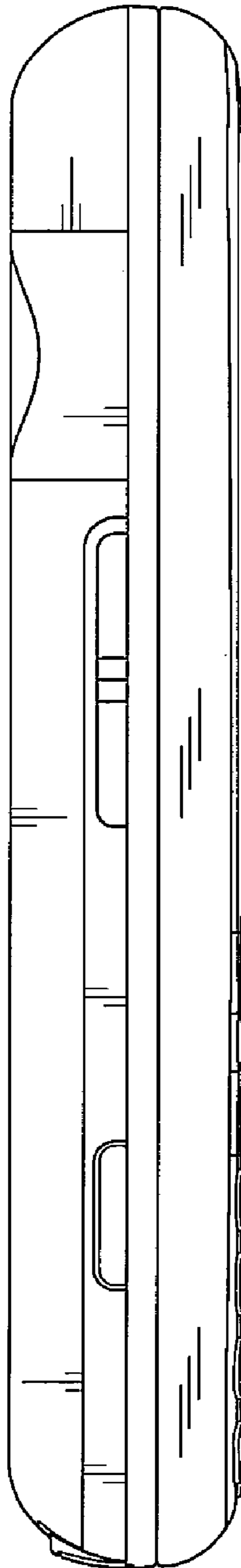


FIG. 5

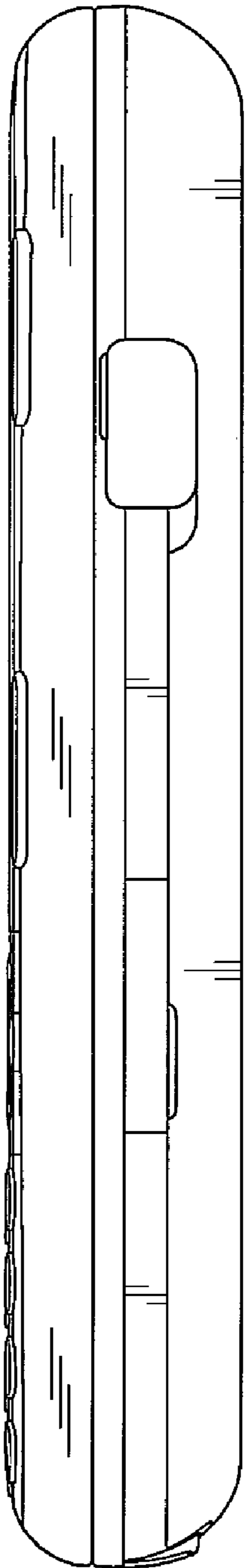


FIG. 6

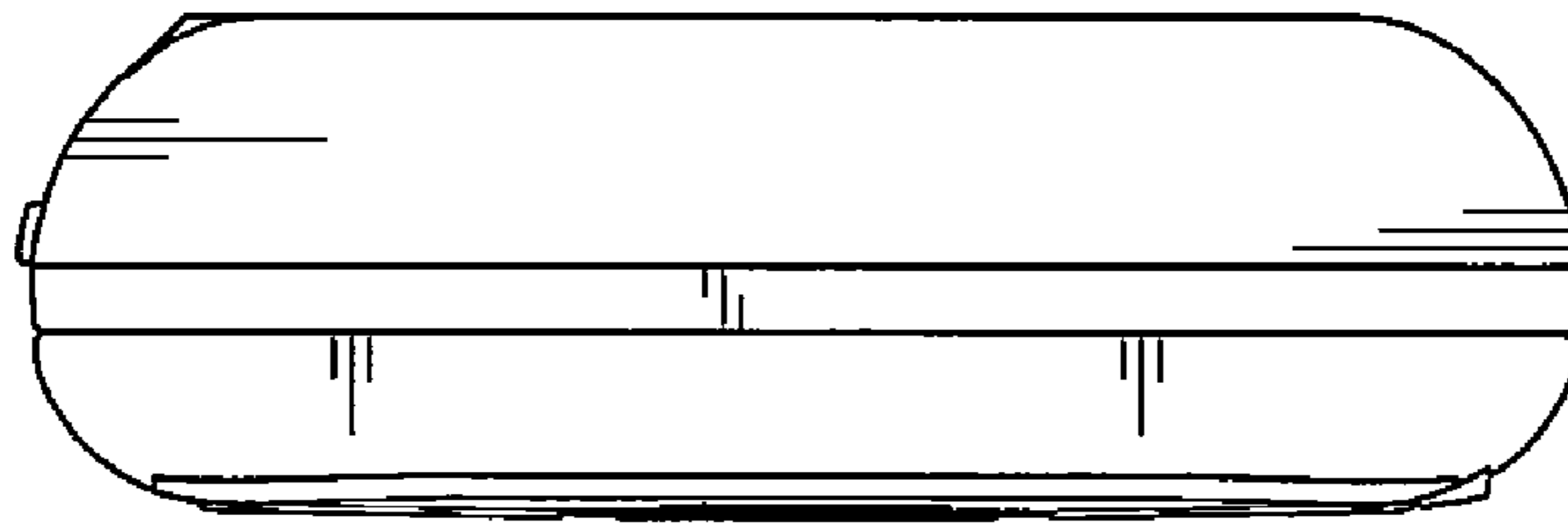


FIG. 7

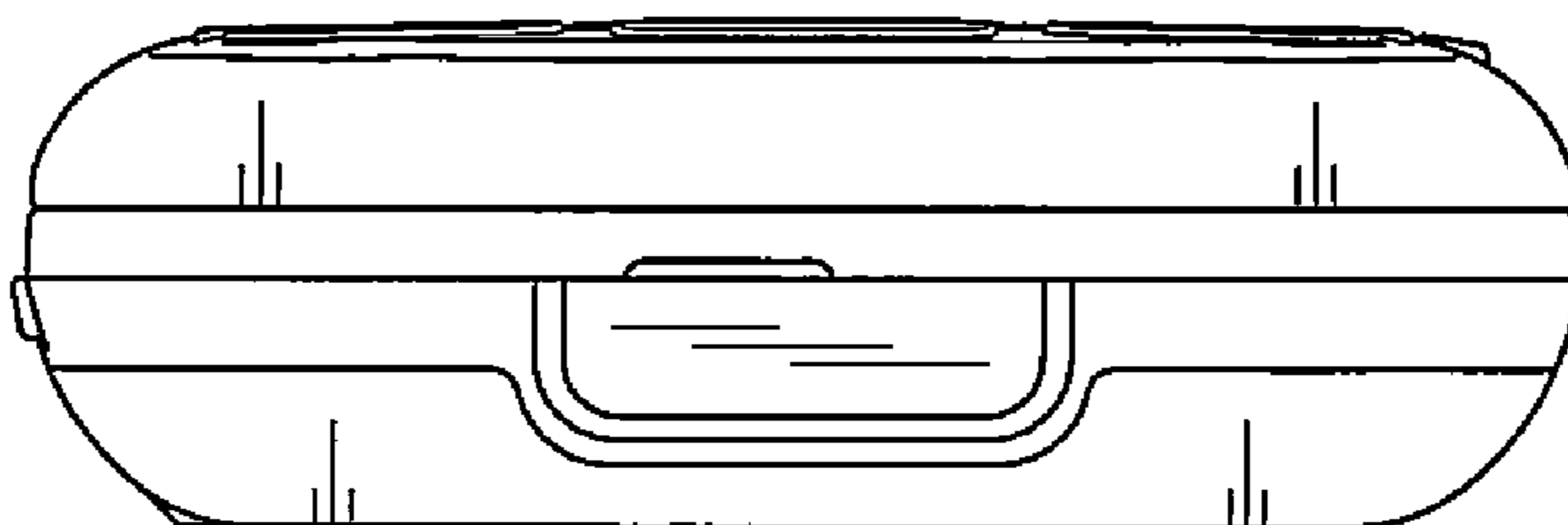




FIG. 8

