



US00D610120S

(12) **United States Design Patent**
Chung et al.

(10) **Patent No.:** **US D610,120 S**

(45) **Date of Patent:** **** Feb. 16, 2010**

(54) **MOBILE PHONE**

(75) Inventors: **Jin-Man Chung**, Goyang-Si (KR);
Seung-Min Park, Seoul (KR);
Seog-Guen Kim, Seoul (KR)

(73) Assignee: **Samsung Electronics Co., Ltd.**, Suwon (KR)

(**) Term: **14 Years**

(21) Appl. No.: **29/333,205**

(22) Filed: **Mar. 4, 2009**

(30) **Foreign Application Priority Data**

Dec. 4, 2008 (KR) 30-2008-0052264

(51) **LOC (9) Cl.** **14-03**

(52) **U.S. Cl.** **D14/138 AA**

(58) **Field of Classification Search** D14/138 AA,
D14/138 R, 147, 341, 346, 137; 455/575.1,
455/90.3, 556.1; 379/433.01, 433.04

See application file for complete search history.

(56) **References Cited**

U.S. PATENT DOCUMENTS

- D536,681 S * 2/2007 Surtouc D14/130
- D543,189 S * 5/2007 Jung et al. D14/138 AA
- D543,190 S * 5/2007 Huang et al. D14/138 AA
- D543,530 S * 5/2007 Ahn et al. D14/138 AA
- D544,851 S * 6/2007 Burns D14/138 AA
- D545,800 S * 7/2007 Ou et al. D14/138 AA
- D546,806 S * 7/2007 Cho et al. D14/138 AA
- D547,744 S * 7/2007 Kim et al. D14/138 AA
- D549,208 S * 8/2007 Huang et al. D14/138 AA
- D550,193 S * 9/2007 Kim et al. D14/138 AA
- D554,611 S * 11/2007 Cho et al. D14/138 AA
- D556,167 S * 11/2007 Yang et al. D14/138 AA
- D558,175 S * 12/2007 Choi et al. D14/138 AA
- D560,635 S * 1/2008 Kim et al. D14/138 AA
- D573,573 S * 7/2008 Jung et al. D14/138 AA
- D574,802 S * 8/2008 Eroma et al. D14/138 AA
- D576,584 S * 9/2008 Buckle et al. D14/138 AA
- D576,992 S * 9/2008 Kim et al. D14/138 AA

- D583,350 S * 12/2008 Park et al. D14/138 AA
- D584,712 S * 1/2009 Okkonen D14/138 AA
- D596,599 S * 7/2009 Kim et al. D14/138 AA
- D596,602 S * 7/2009 Cha et al. D14/138 AA
- D597,044 S * 7/2009 Suk et al. D14/138 AA
- D597,045 S * 7/2009 Kim et al. D14/138 AA
- D597,050 S * 7/2009 Kim et al. D14/138 AA

OTHER PUBLICATIONS

Samsung C5212 telephone, announced Feb. 2009, [online], [site visited Sep. 16, 2009]. Available from Internet, <URL: <http://www.gsmarena.com>>.*

Sharp GX18 telephone, announced Mar. 2008, [online], [site visited Sep. 16, 2009]. Available from Internet, <URL: <http://www.gsmarena.com>>.*

Samsung S3310 telephone, announced Feb. 2009, [online], [site visited Sep. 16, 2009]. Available from Internet, <URL: <http://www.gsmarena.com>>.*

* cited by examiner

Primary Examiner—Jeffrey D Asch

(74) *Attorney, Agent, or Firm*—Staas & Halsey LLP

(57) **CLAIM**

The ornamental design for mobile phone, as shown and described.

DESCRIPTION

FIG. 1 is a front perspective view of a mobile phone;
FIG. 2 is a front view of the mobile phone of FIG. 1;
FIG. 3 is a rear view of the mobile phone of FIG. 1;
FIG. 4 is a left-side view of the mobile phone of FIG. 1;
FIG. 5 is a right-side view of the mobile phone of FIG. 1;
FIG. 6 is a top plan view of the mobile phone of FIG. 1; and,
FIG. 7 is a bottom plan view of the mobile phone of FIG. 1.

1 Claim, 5 Drawing Sheets

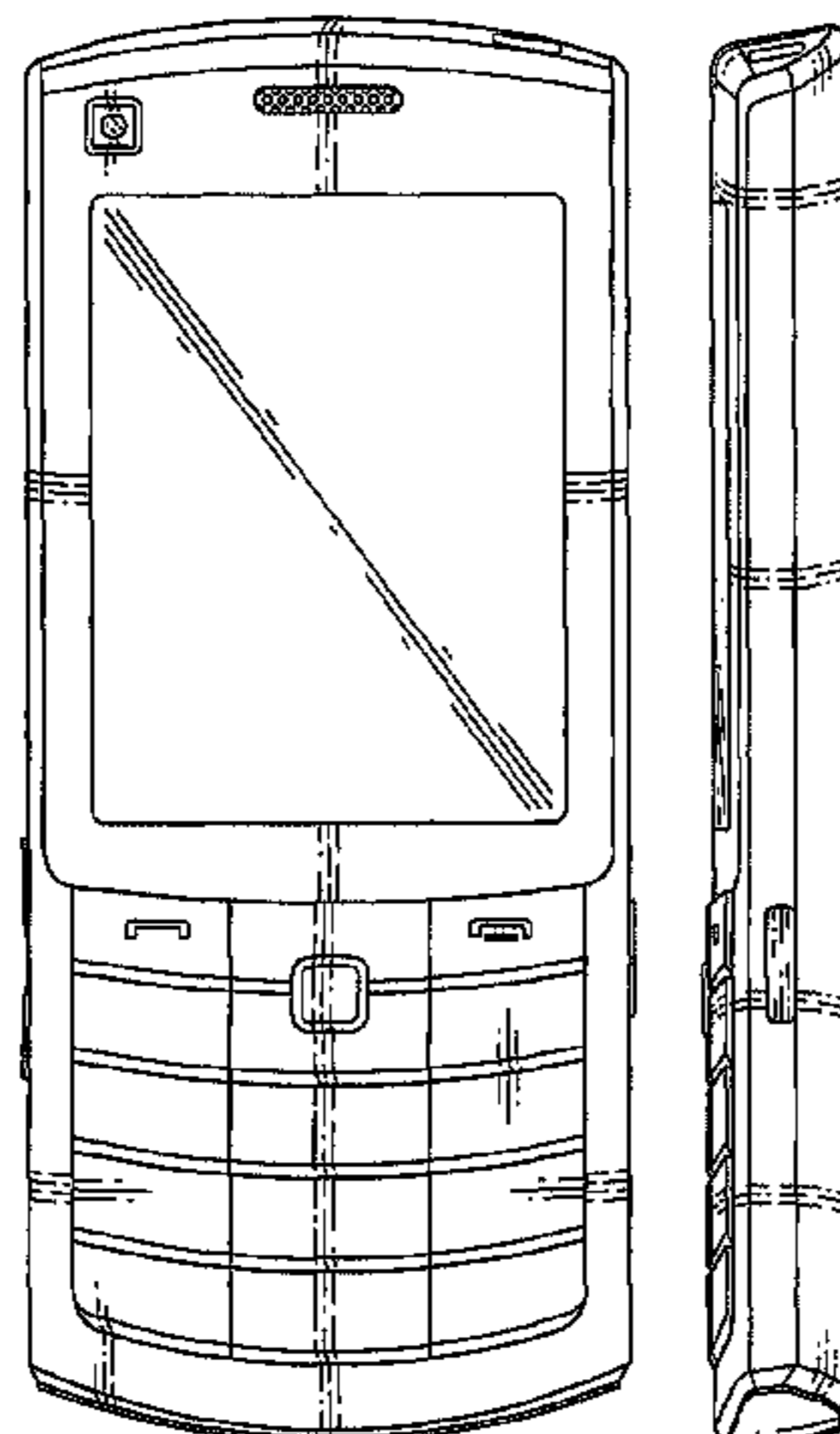


FIG. 1

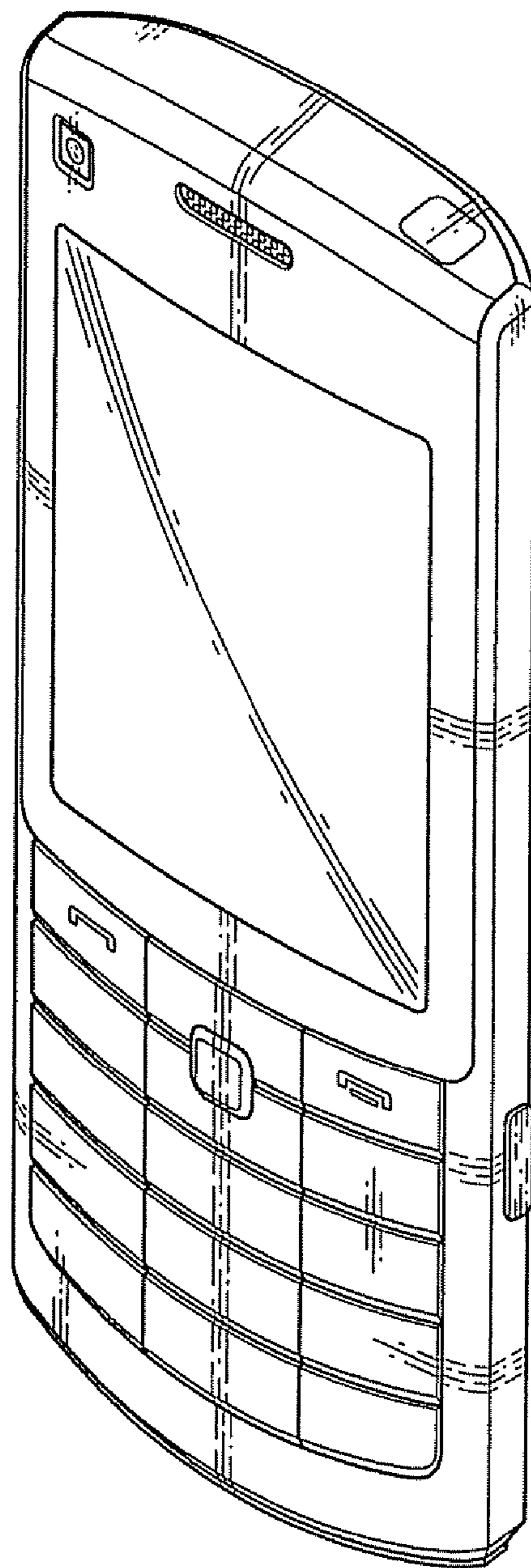


FIG. 2

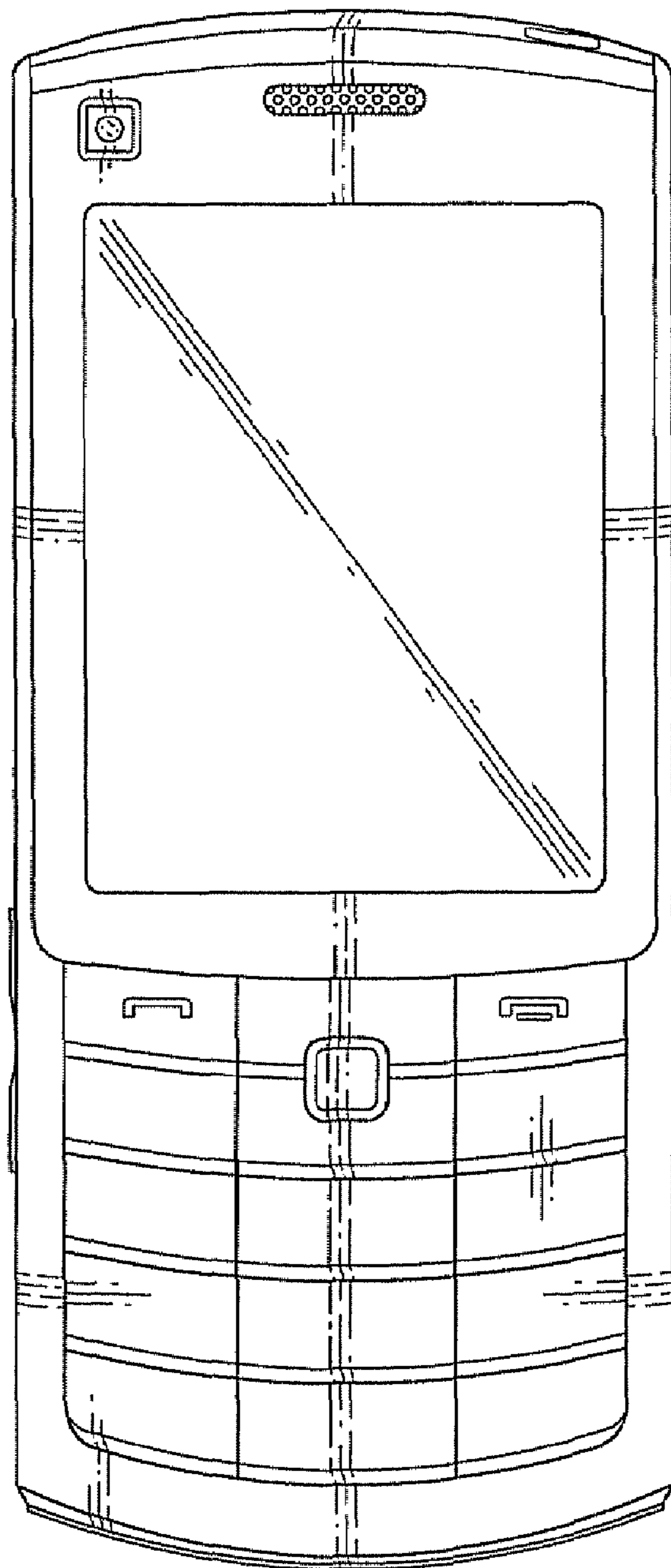


FIG. 3

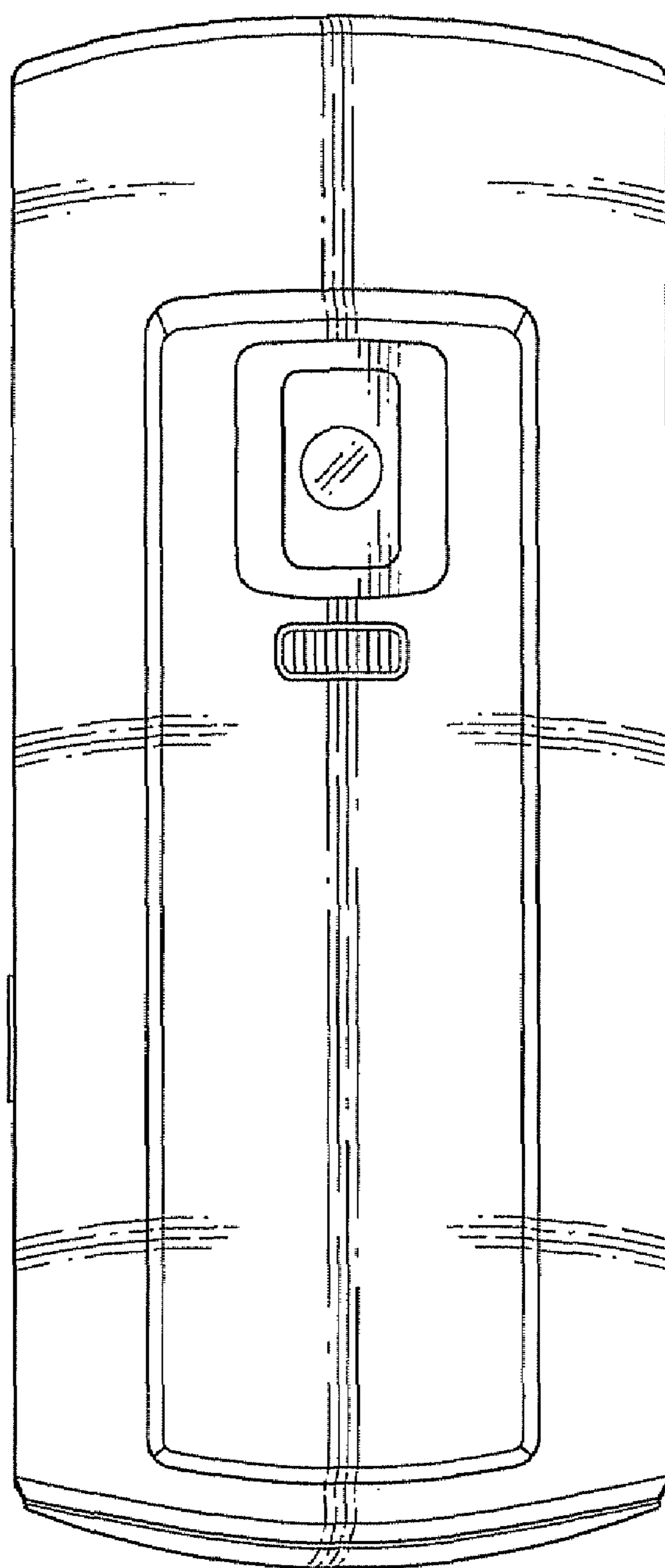


FIG. 4

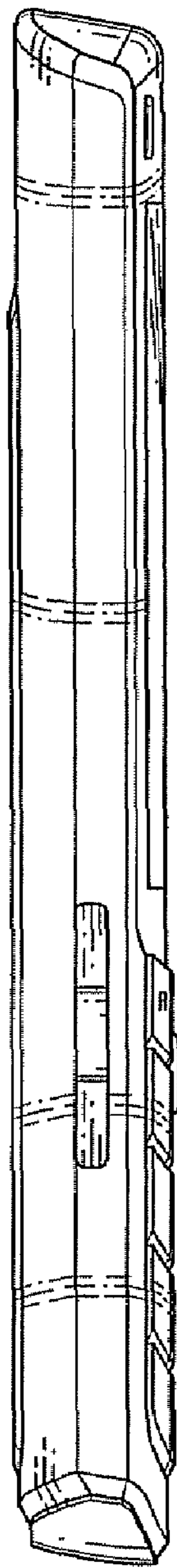


FIG. 5

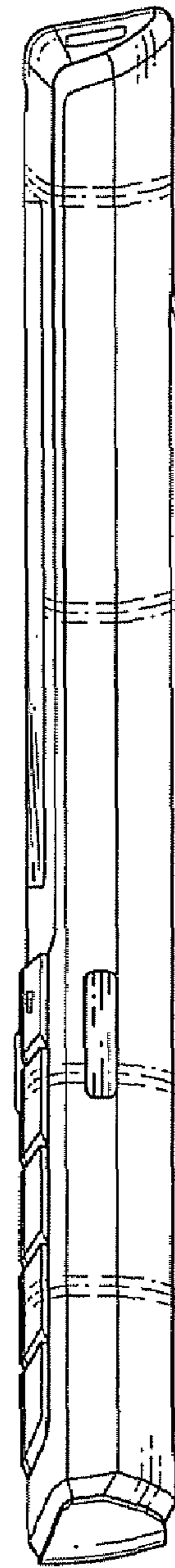


FIG. 6



FIG. 7

