



US00D610118S

(12) **United States Design Patent**
Boucquey et al.

(10) **Patent No.:** **US D610,118 S**
(45) **Date of Patent:** **** Feb. 16, 2010**

(54) **COMMUNICATION DEVICE**

Primary Examiner—Jeffrey D Asch

(75) Inventors: **Thomas D Boucquey**, Chicago, IL (US);
Matt B Ansley, Muskego, WI (US);
David G Fliszar, Gurnee, IL (US);
Claudio Santiago Ribeiro, Evanston, IL (US)

(57) **CLAIM**

The ornamental design for a communication device, as shown and described.

(73) Assignee: **Motorola, Inc.**, Schaumburg, IL (US)

DESCRIPTION

(**) Term: **14 Years**

(21) Appl. No.: **29/328,301**

(22) Filed: **Nov. 21, 2008**

(51) **LOC (9) Cl.** **14-03**

(52) **U.S. Cl.** **D14/138 AA**

(58) **Field of Classification Search** D14/138 AA,
D14/138 R, 147, 341, 346, 137; 455/575.1,
455/90.3, 556.1; 379/433.01, 433.04
See application file for complete search history.

FIG. 1 is a perspective view of a first embodiment of an ornamental design for a communication device;
FIG. 2 is a front view of the first embodiment thereof;
FIG. 3 is a rear view of the first embodiment thereof;
FIG. 4 is a first side view of the first embodiment thereof;
FIG. 5 is a second side view of the first embodiment thereof;
FIG. 6 is a top view of the first embodiment thereof; and
FIG. 7 is a bottom view of the first embodiment thereof.

(56) **References Cited**

U.S. PATENT DOCUMENTS

D514,079 S *	1/2006	Lai	D14/138 AA
D525,228 S *	7/2006	Kim et al.	D14/138 AA
D545,800 S *	7/2007	Ou et al.	D14/138 AA
D548,717 S *	8/2007	Davis	D14/138 AA
D548,718 S *	8/2007	Davis	D14/138 AA
D555,621 S *	11/2007	Seo	D14/138 AA
D560,647 S *	1/2008	Choi et al.	D14/138 AA

FIG. 8 is a perspective view of a second embodiment of an ornamental design for a communication device;
FIG. 9 is a front view of the second embodiment thereof;
FIG. 10 is a rear view of the second embodiment thereof;
FIG. 11 is a first side view of the second embodiment thereof;
FIG. 12 is a second side view of the second embodiment thereof;
FIG. 13 is a top view of the second embodiment thereof; and,
FIG. 14 is a bottom view of the second embodiment thereof.

(Continued)

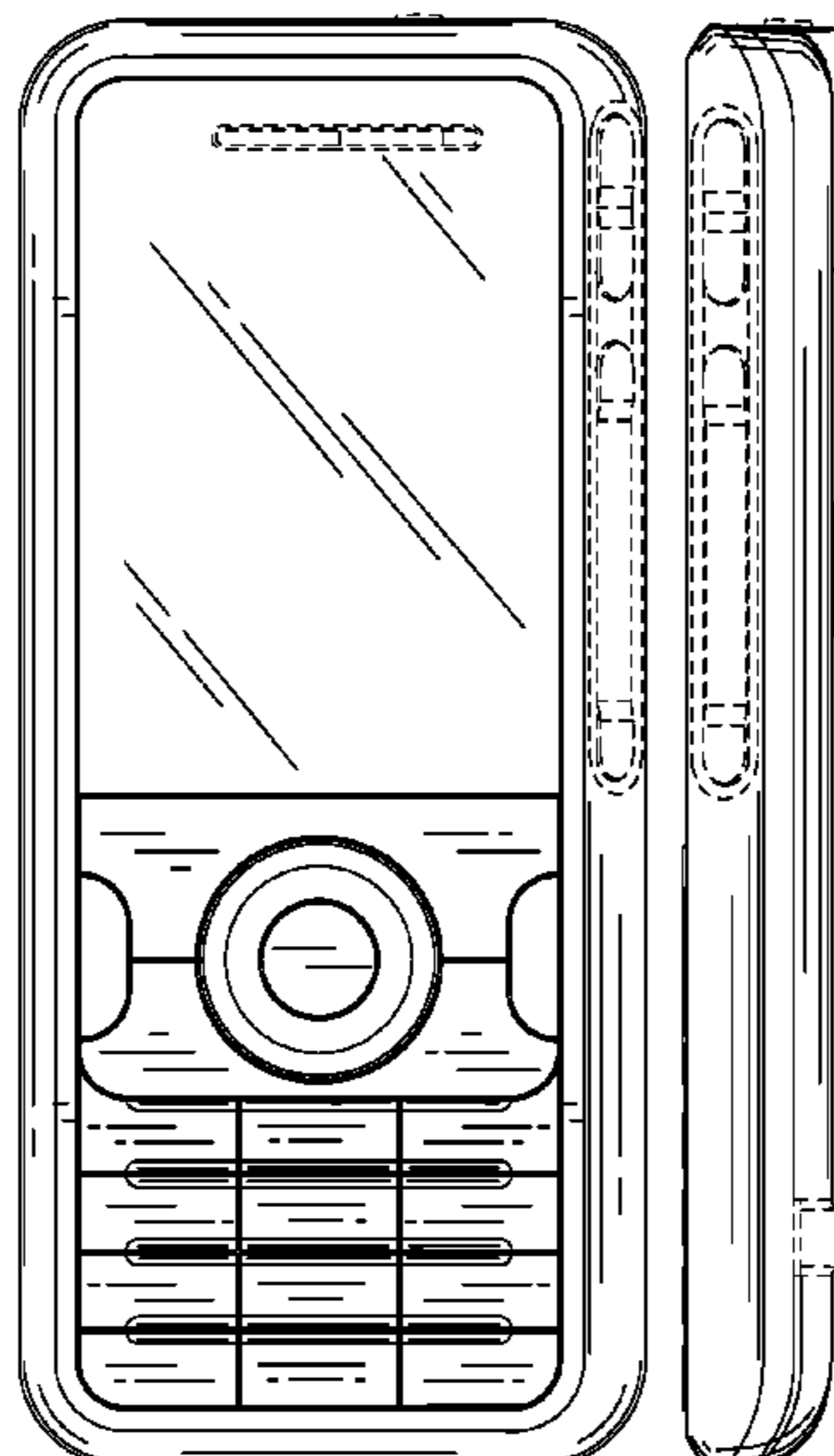
OTHER PUBLICATIONS

Nokia 6300 telephone, announced Nov. 2006, [online], [site visited Sep. 16, 2009]. Available from Internet, <URL: <http://www.gsmarena.com>>.*

The broken lines shown in FIGS. 1–7 that are immediately adjacent to the shaded areas and define unshaded regions, represent the bounds of the first embodiment, while all other broken lines are directed to environment and are for illustrative purposes only; the broken lines form no part of the first embodiment.

(Continued)

1 Claim, 8 Drawing Sheets



US D610,118 S

Page 2

U.S. PATENT DOCUMENTS

D562,314 S * 2/2008 Han et al. D14/248
D563,379 S * 3/2008 Mai et al. D14/138 AA
D572,700 S * 7/2008 Kwon et al. D14/138 AA
D573,130 S * 7/2008 Kim et al. D14/138 AA
D576,135 S * 9/2008 Moss D14/138 AA
D576,589 S * 9/2008 Montin et al. D14/138 AA
D576,993 S * 9/2008 Park et al. D14/138 AA
D577,351 S * 9/2008 Kim et al. D14/138 AA
D579,905 S * 11/2008 Kim et al. D14/138 AD
D583,343 S * 12/2008 Lee et al. D14/138 AA
D583,352 S * 12/2008 Son et al. D14/138 AA
D585,039 S * 1/2009 Wang et al. D14/138 AA
D588,087 S * 3/2009 Stone D14/138 AA
D589,919 S * 4/2009 Bower D14/138 AA
D589,925 S * 4/2009 Shi D14/138 AA
D594,006 S * 6/2009 Ren et al. D14/341
D596,153 S * 7/2009 Turner D14/138 AA

2008/0039156 A1* 2/2008 Lee et al. 455/575.1

OTHER PUBLICATIONS

Samsung M110 telephone, announced Jan. 2008, [online], [site visited Sep. 16, 2009]. Available from Internet, <URL: <http://www.gsmarena.com>>.*

Samsung M7500 Emporio Armani telephone, announced Sep. 2008, [online], [site visited Sep. 16, 2009]. Available from Internet, <URL: <http://www.gsmarena.com>>.*

Motorola C168 telephone, announced 3rd quarter 2005, [online], [site visited Sep. 16, 2009]. Available from Internet, <URL: <http://www.gsmarena.com>>.*

Sony Ericsson V630 telephone, announced May 2006, [online], [site visited Sep. 16, 2009]. Available from Internet, <URL: <http://www.gsmarena.com>>.*

Vodafone 526 telephone, announced Sep. 2008, [online], [site visited Sep. 16, 2009]. Available from Internet, <URL: <http://www.gsmarena.com>>.*

* cited by examiner

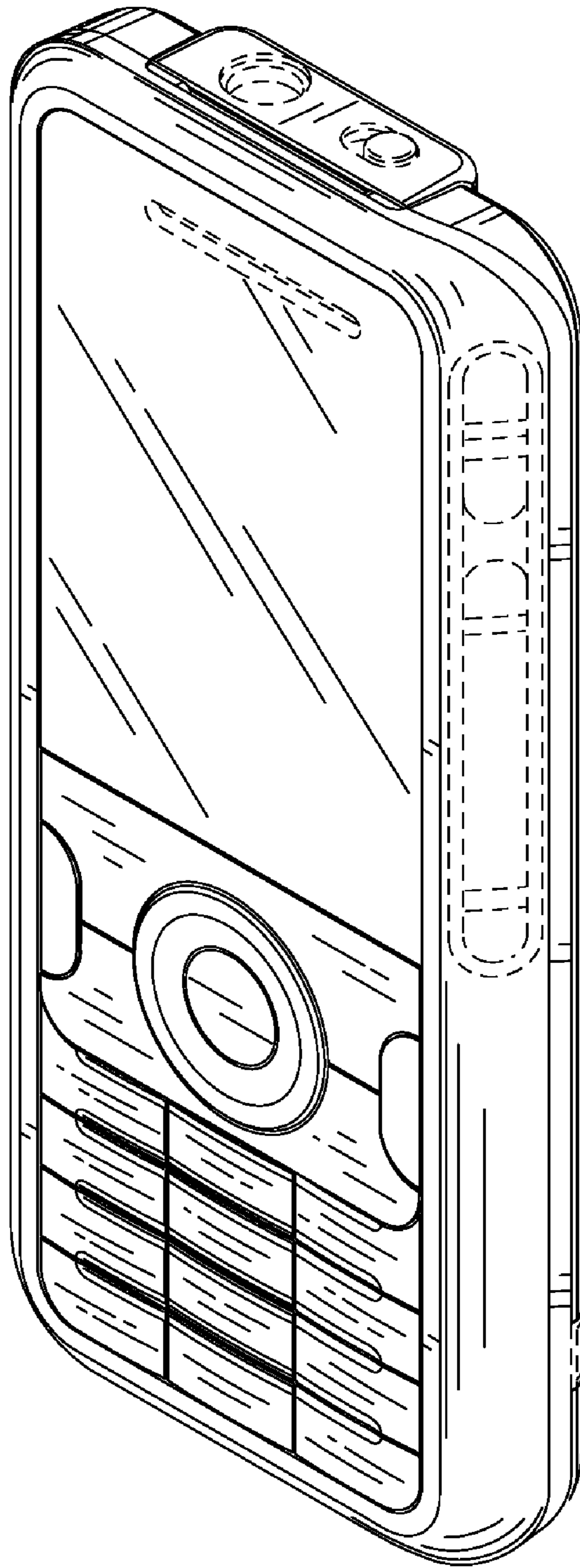


FIG. 1

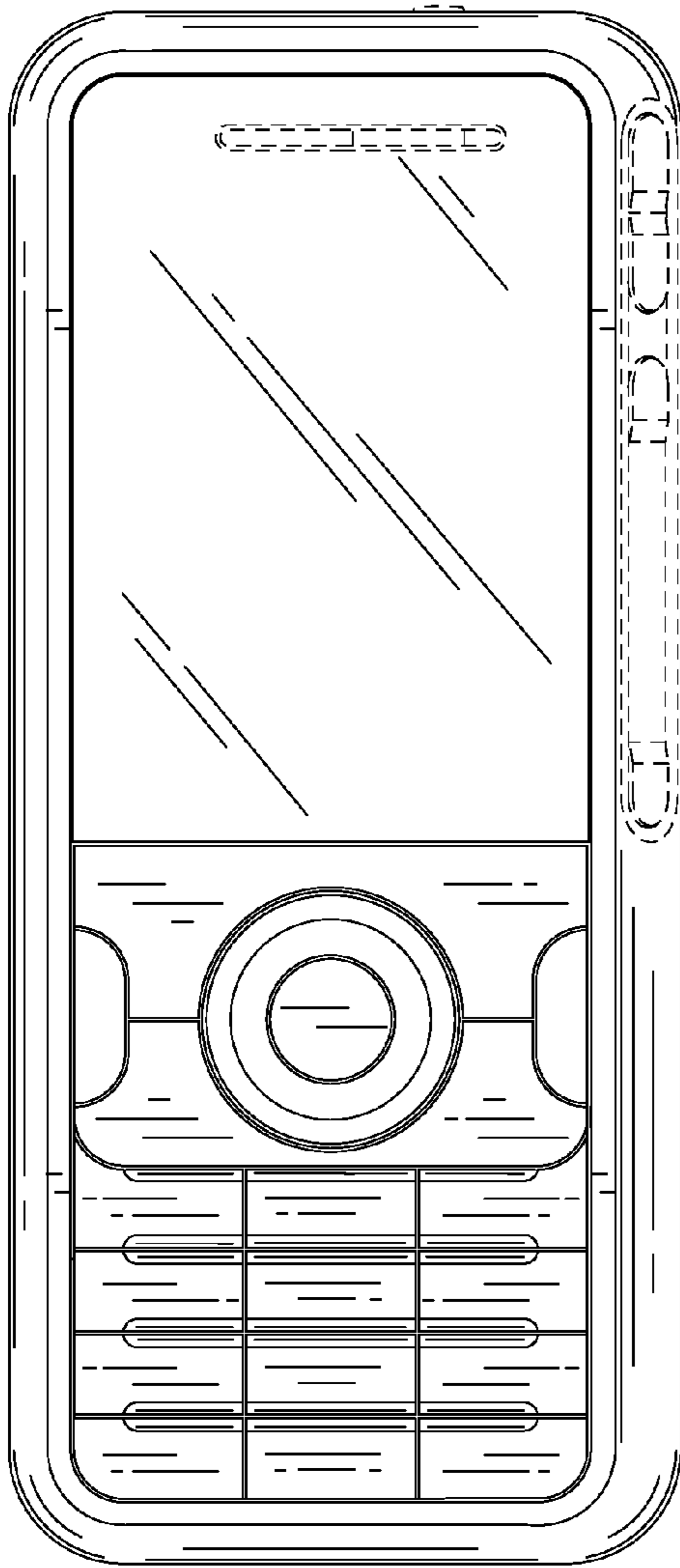


FIG. 2

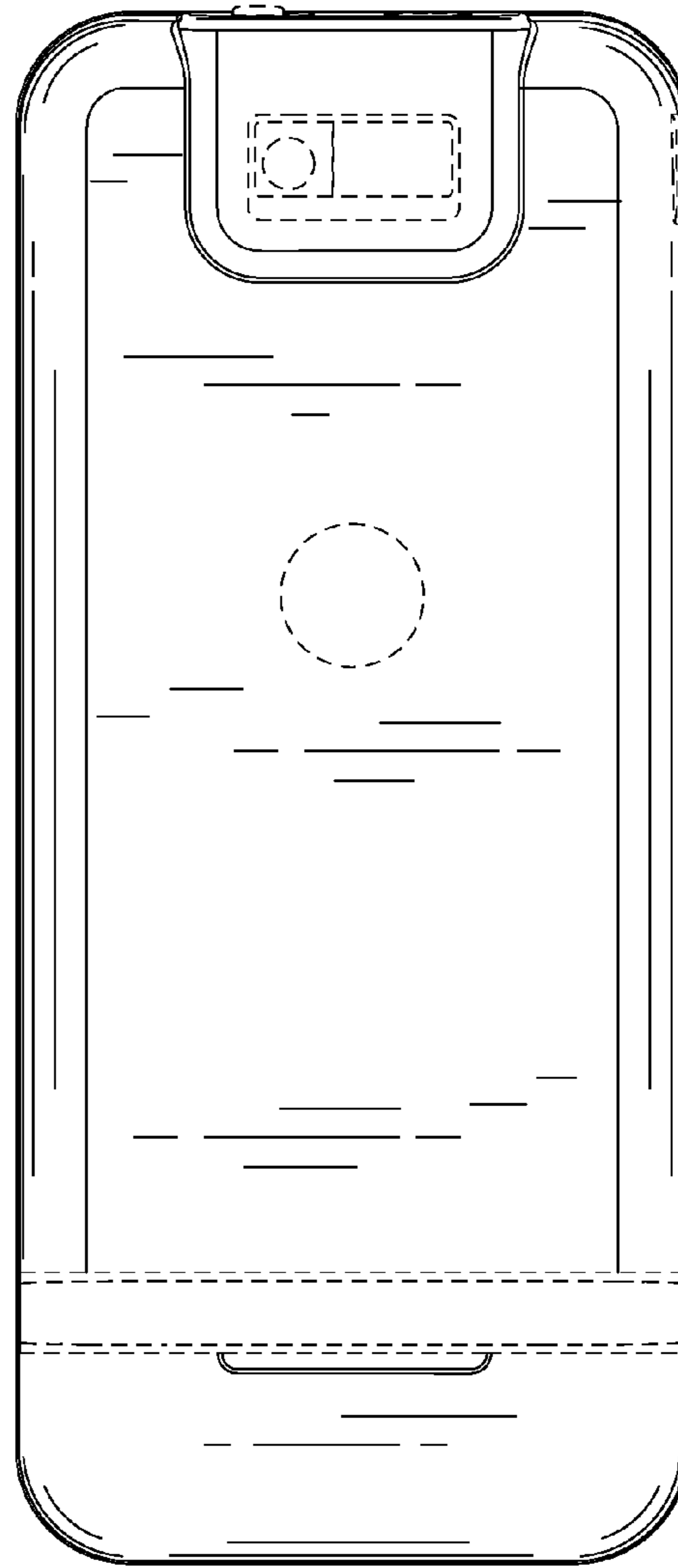


FIG. 3

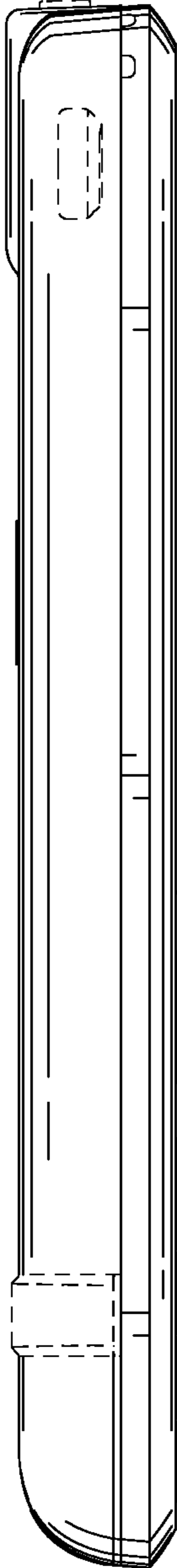


FIG. 4

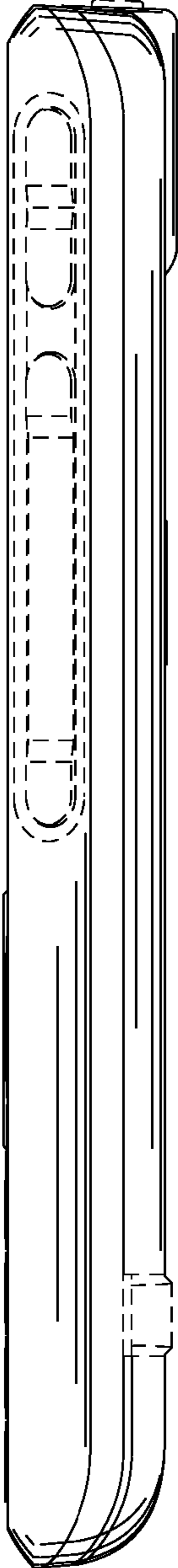


FIG. 5

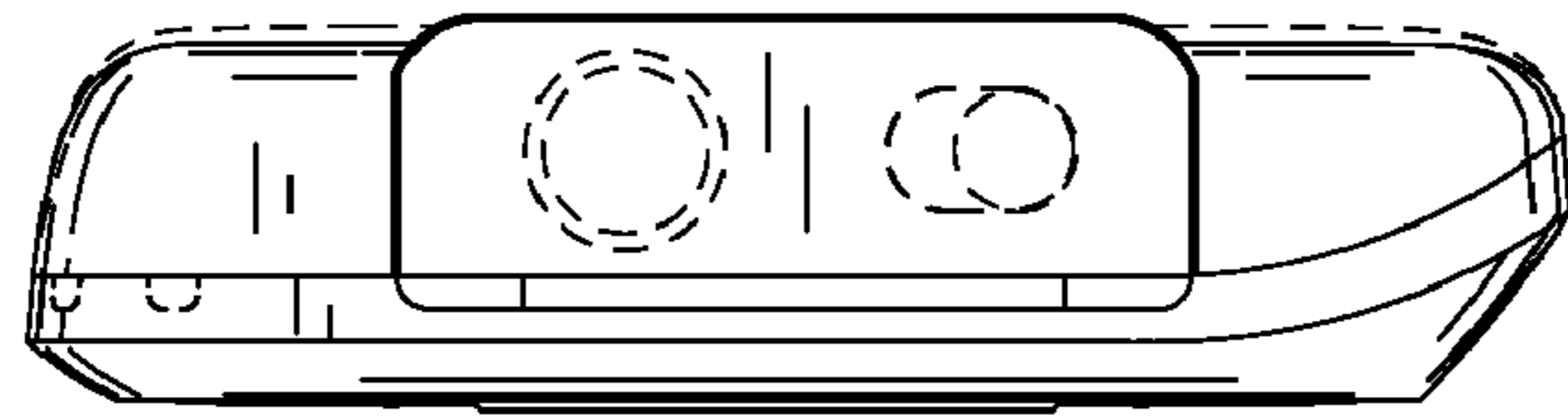


FIG. 6

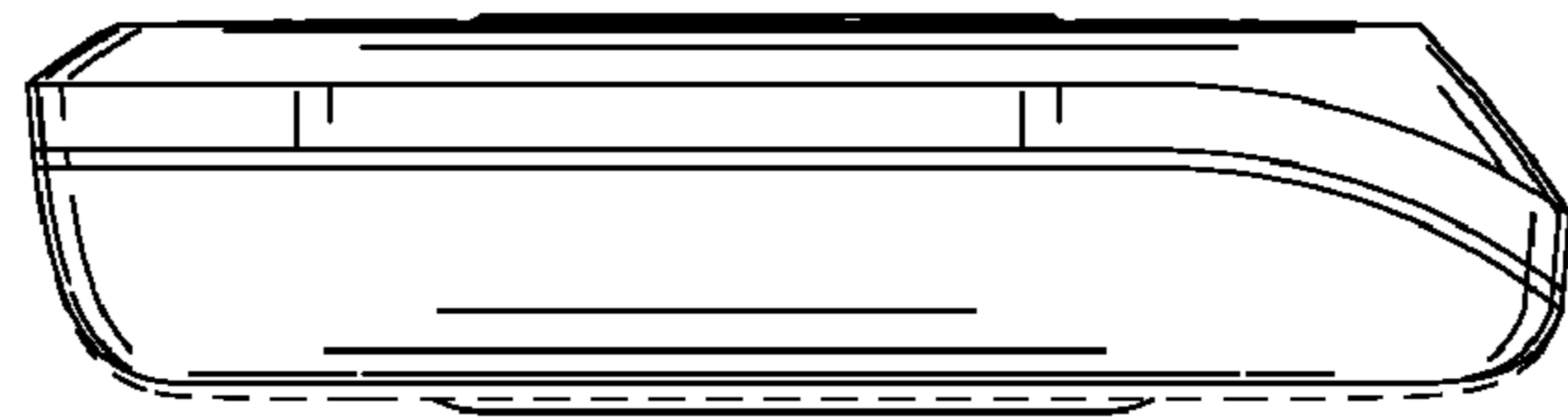


FIG. 7

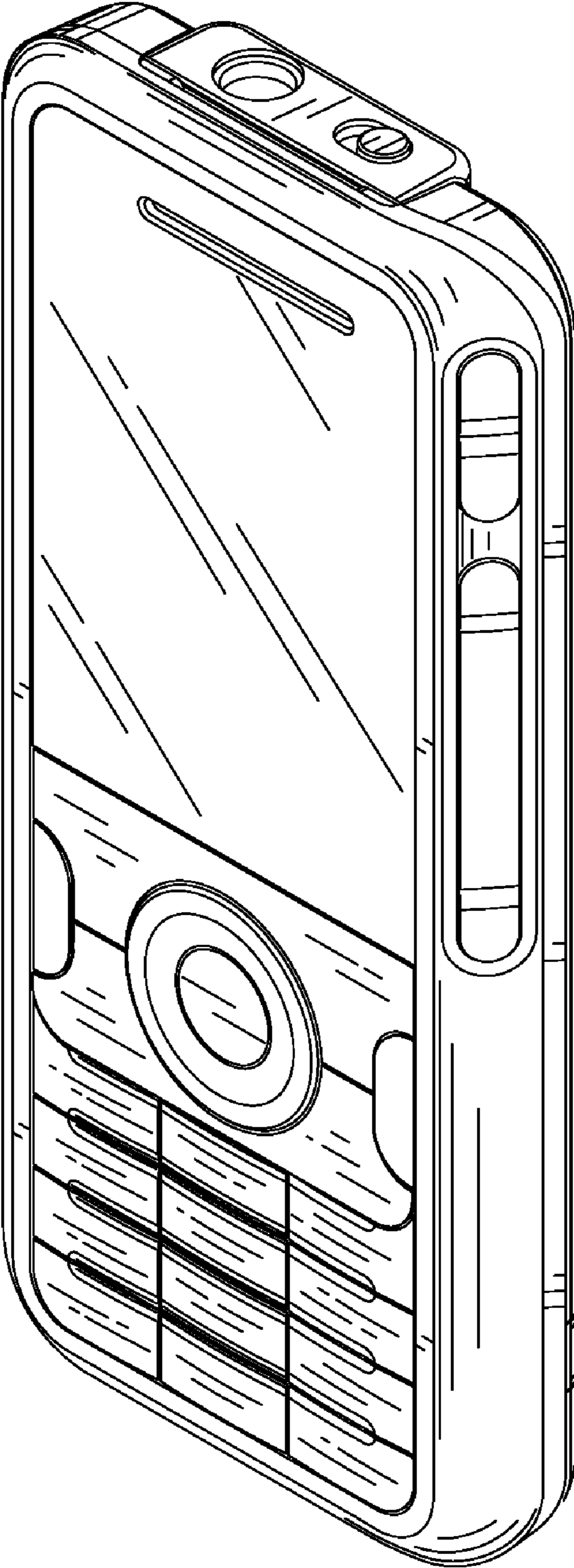


FIG. 8

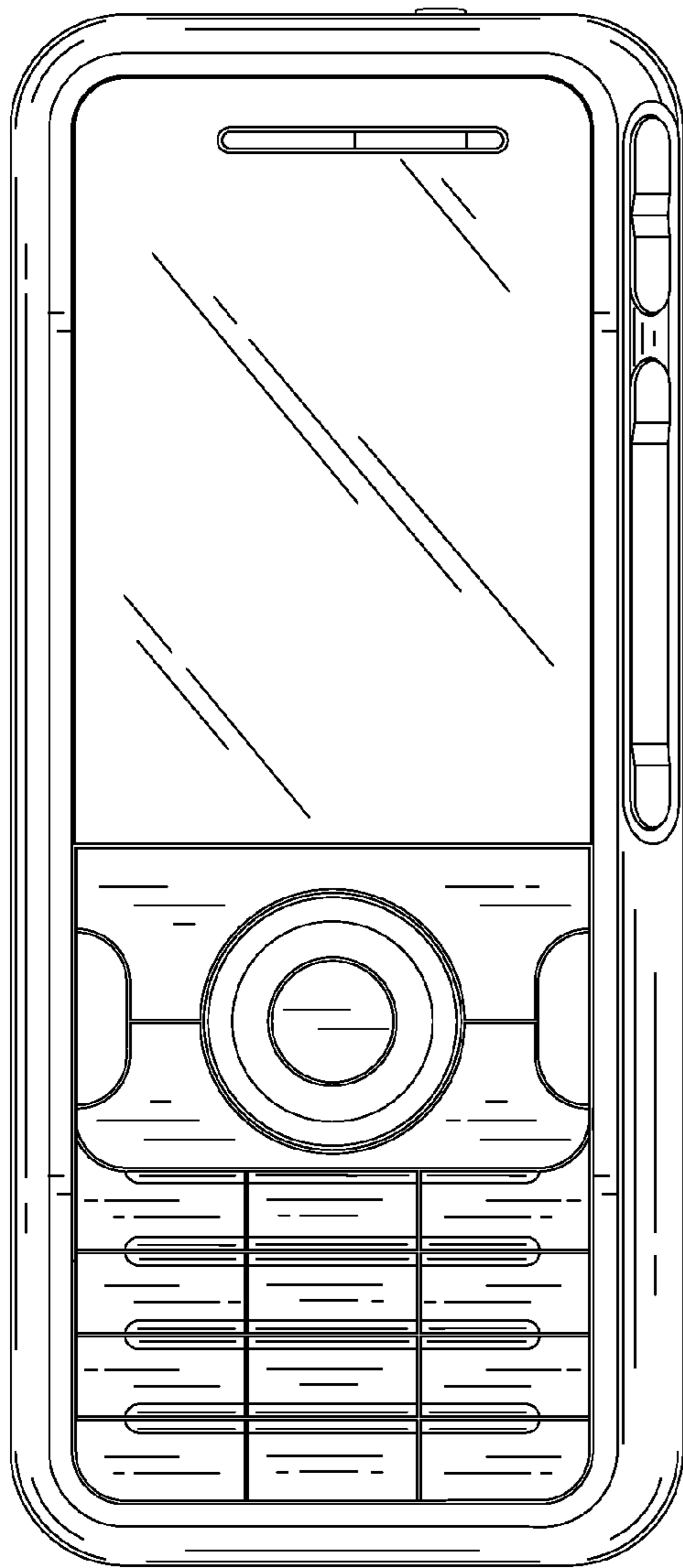


FIG. 9

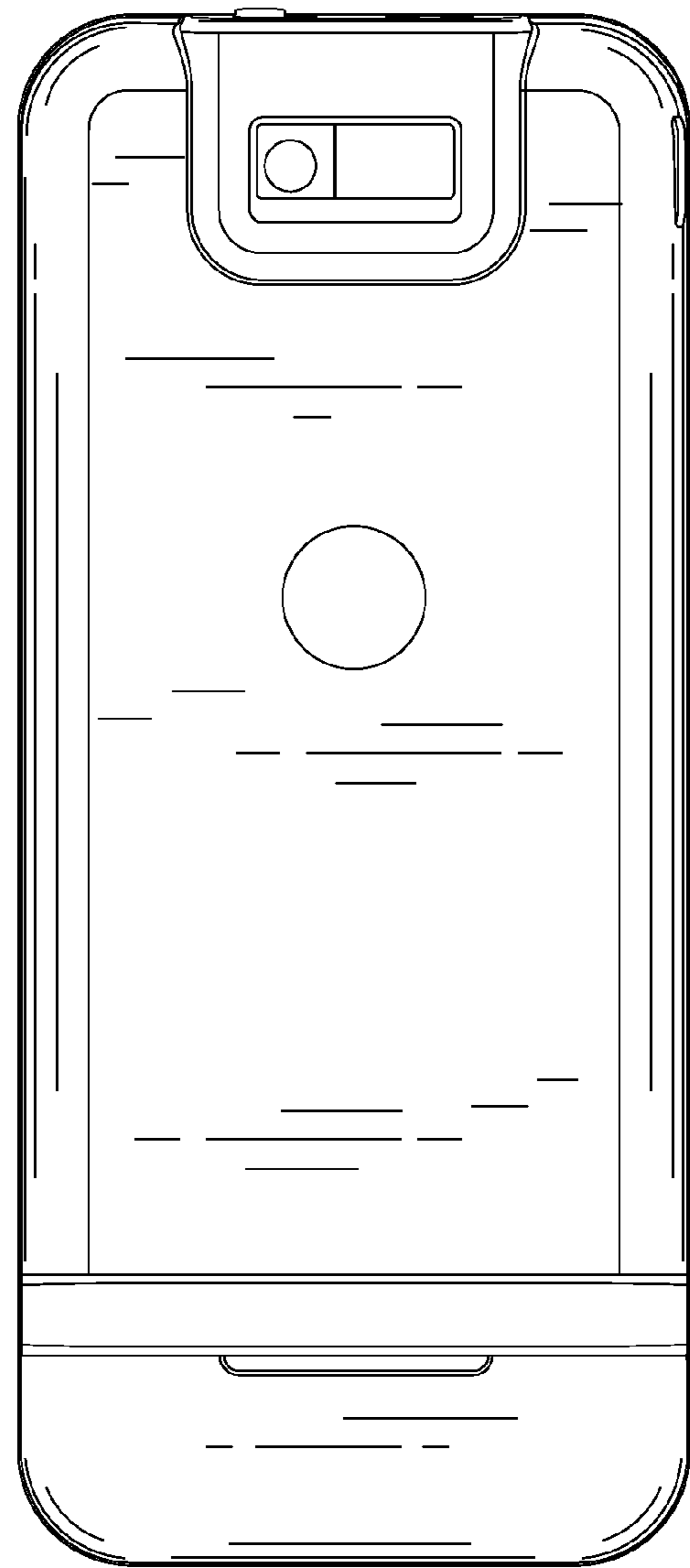


FIG. 10

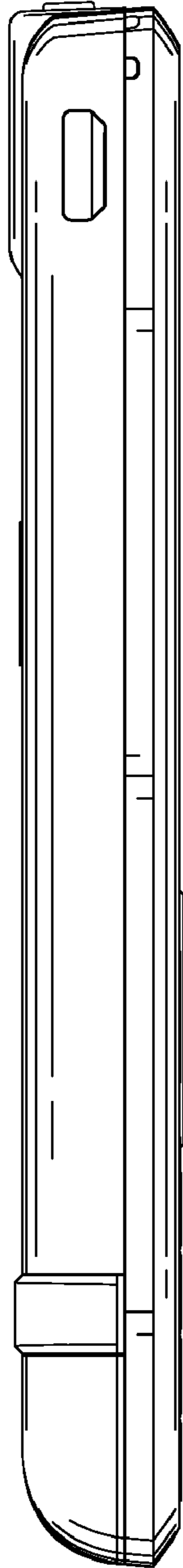


FIG. 11

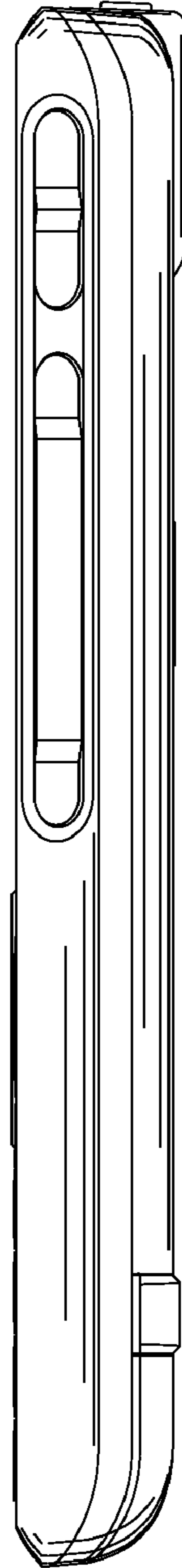


FIG. 12

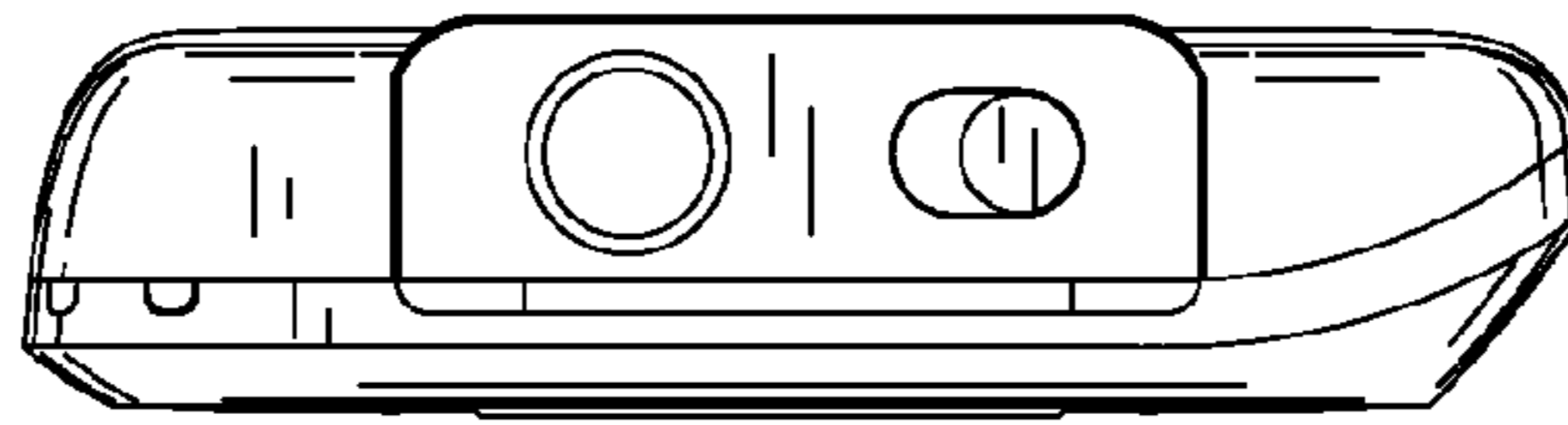


FIG. 13

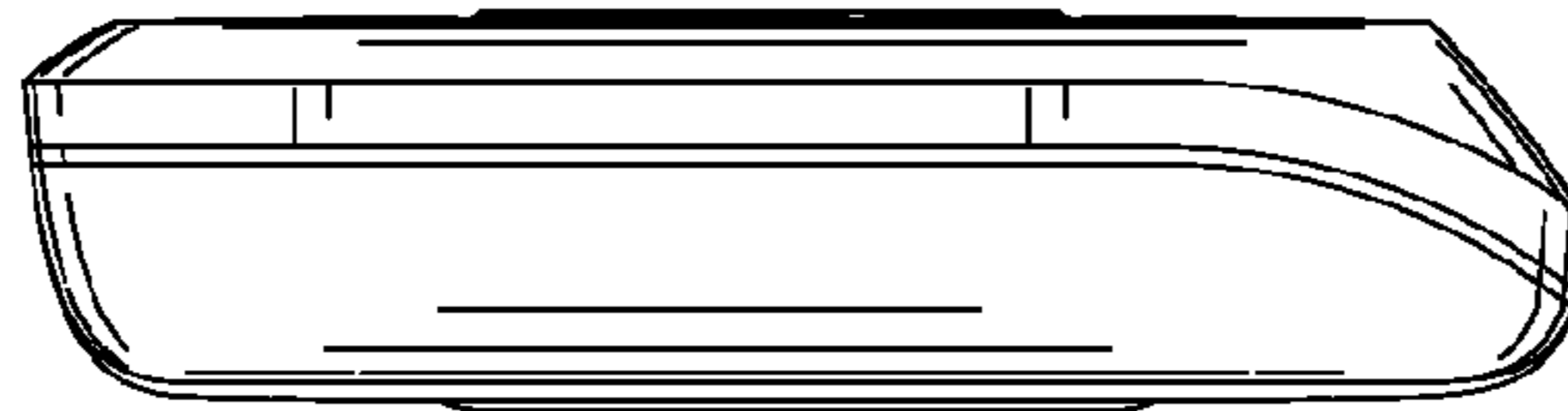


FIG. 14