



US00D610110S

(12) **United States Design Patent**  
**Lee et al.**

(10) **Patent No.:** **US D610,110 S**  
(45) **Date of Patent:** **\*\* Feb. 16, 2010**

(54) **PORTABLE TELEPHONE**  
(75) Inventors: **Ki-Eon Lee**, Kyunggi-do (KR);  
**Yoon-Young Cho**, Seoul (KR);  
**Chang-Hwan Hwang**, Kyunggi-do (KR)  
(73) Assignee: **Samsung Electronics Co., Ltd.**, Suwon,  
Kyunggi-do (KR)  
(\*\*) Term: **14 Years**  
(21) Appl. No.: **29/312,491**  
(22) Filed: **Oct. 23, 2008**

D543,178 S 5/2007 Kim et al.  
D543,179 S \* 5/2007 Ban Den Nieuwenhuizen  
et al. .... D14/138 AA  
D543,184 S 5/2007 Moon et al.  
D543,188 S 5/2007 Minamide et al.  
D545,800 S \* 7/2007 Ou et al. .... D14/138 AA  
D545,804 S 7/2007 Lee  
D546,804 S 7/2007 Lee et al.  
D547,744 S 7/2007 Kim et al.  
D552,583 S 10/2007 Choi et al.  
D552,584 S \* 10/2007 Lee ..... D14/138 AA  
D555,140 S 11/2007 Kim et al.  
D555,624 S \* 11/2007 Lee et al. .... D14/138 AA  
D556,727 S 12/2007 Cha et al.

(Continued)

(51) **LOC (9) Cl.** ..... **14-03**  
(52) **U.S. Cl.** ..... **D14/138 AA**  
(58) **Field of Classification Search** ..... D14/138 AA,  
D14/138 R, 147, 341, 346, 137; 455/575.1,  
455/90.3, 556.1; 379/433.01, 433.04  
See application file for complete search history.

**OTHER PUBLICATIONS**

Samsung B2700 telephone, announced Sep. 2008, [online], [site visited Sep. 16, 2009]. Available from Internet, <URL: <http://www.gsmarena.com>>.\*

(Continued)

(56) **References Cited**  
U.S. PATENT DOCUMENTS

D440,951 S \* 4/2001 Kolinen ..... D14/138 AA  
D451,484 S \* 12/2001 Page et al. .... D14/137  
D485,816 S \* 1/2004 Tanaka ..... D14/138 AA  
D492,276 S \* 6/2004 Walliser et al. .... D14/138 AA  
D514,079 S \* 1/2006 Lai ..... D14/138 AA  
D515,536 S 2/2006 Lee et al.  
D515,537 S 2/2006 Kim et al.  
D515,541 S \* 2/2006 Jensfelt ..... D14/138 AA  
D517,039 S 3/2006 Lee  
D524,276 S 7/2006 Kim et al.  
D525,228 S 7/2006 Kim et al.  
D525,229 S \* 7/2006 Friesen et al. .... D14/138 AA  
D526,636 S 8/2006 Kim et al.  
D536,681 S \* 2/2007 Surtouc ..... D14/130  
D537,432 S 2/2007 Kim et al.  
D538,250 S 3/2007 Choi et al.  
D538,251 S 3/2007 Park et al.  
D539,253 S 3/2007 Park et al.  
D539,254 S 3/2007 Park et al.  
D542,258 S 5/2007 Park et al.  
D542,259 S 5/2007 Cho et al.

*Primary Examiner*—Jeffrey D Asch  
(74) *Attorney, Agent, or Firm*—Flynn, Thiel, Boutell & Tanis,  
P.C.

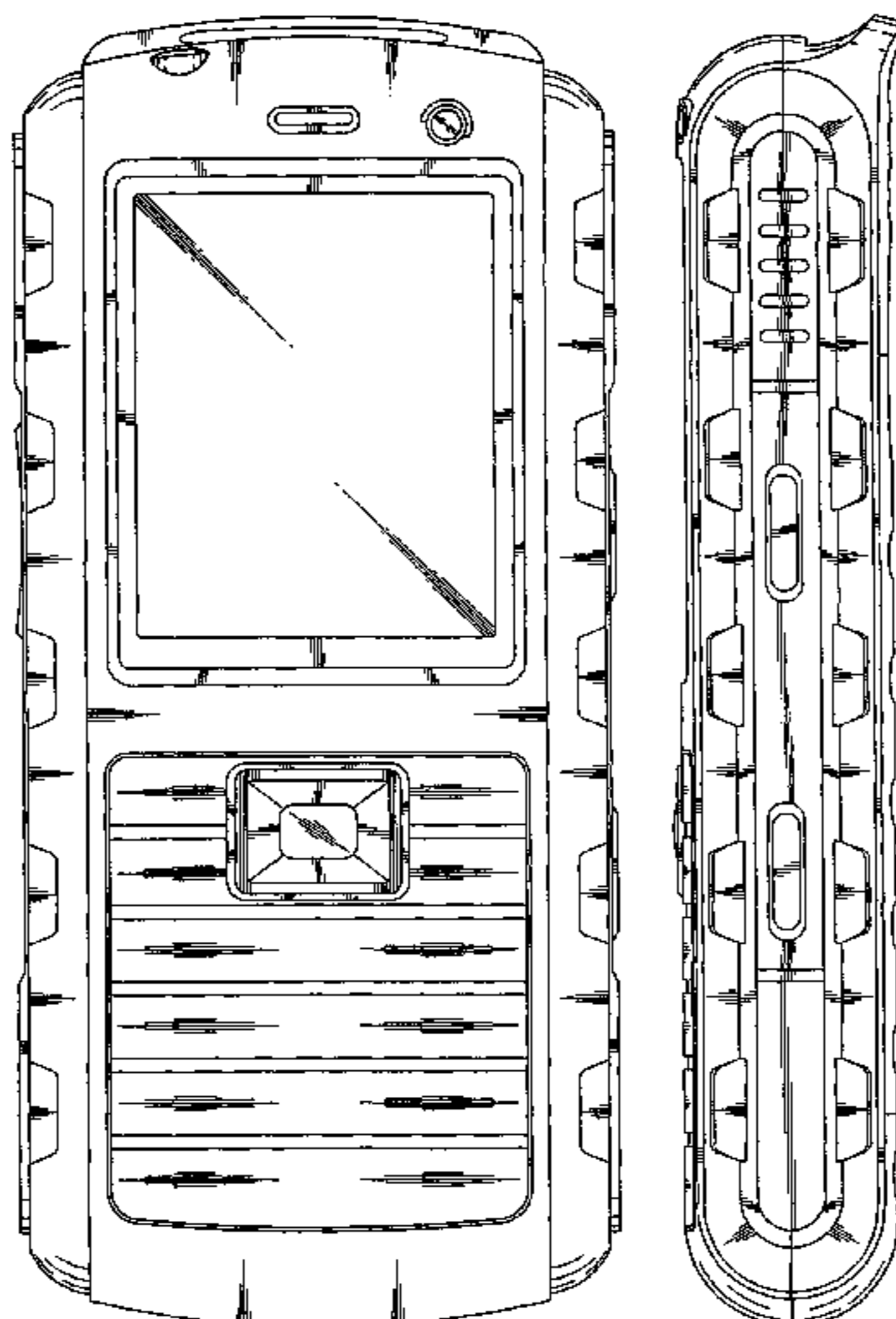
(57) **CLAIM**

The ornamental design for a portable telephone, as shown and described.

**DESCRIPTION**

FIG. 1 is a top front perspective view of a portable telephone showing our new design;  
FIG. 2 is a front elevational view thereof;  
FIG. 3 is a rear elevational view thereof;  
FIG. 4 is a left side elevational view thereof;  
FIG. 5 is a right side elevational view thereof;  
FIG. 6 is a top plan view thereof; and,  
FIG. 7 is a bottom plan view thereof.

**1 Claim, 5 Drawing Sheets**



# US D610,110 S

Page 2

## U.S. PATENT DOCUMENTS

D557,246 S 12/2007 Kim et al.  
D558,175 S 12/2007 Choi et al.  
D559,219 S 1/2008 Suk et al.  
D559,223 S 1/2008 Kim et al.  
D559,224 S 1/2008 Moon et al.  
D560,197 S 1/2008 Kim et al.  
D560,630 S \* 1/2008 Mitchell et al. .... D14/138 AA  
D560,635 S 1/2008 Kim et al.  
D560,642 S 1/2008 Yun et al.  
D560,647 S 1/2008 Choi et al.  
D561,153 S 2/2008 Hong et al.  
D561,154 S 2/2008 Kim et al.  
D562,283 S 2/2008 Moon et al.  
D563,370 S 3/2008 Choi et al.  
D563,374 S \* 3/2008 Jung et al. .... D14/138 AA  
D563,931 S 3/2008 Moon et al.  
D563,937 S 3/2008 Lee et al.  
D564,490 S 3/2008 Kim et al.  
D564,491 S 3/2008 Kim et al.  
D565,011 S 3/2008 Lee et al.  
D565,015 S 3/2008 Kim et al.  
D565,016 S 3/2008 Kwon et al.  
D565,017 S 3/2008 Kim et al.  
D566,086 S 4/2008 Hong et al.  
D566,094 S 4/2008 Kim et al.  
D567,794 S 4/2008 Kim et al.  
D568,854 S 5/2008 Park et al.  
D570,321 S 6/2008 Choi et al.  
D570,815 S 6/2008 Son et al.  
D572,697 S 7/2008 Lee et al.  
D572,700 S 7/2008 Kwon et al.  
D573,130 S 7/2008 Kim et al.  
D573,570 S 7/2008 Park et al.  
D573,571 S 7/2008 Morrison et al.  
D573,573 S 7/2008 Jung et al.  
D573,576 S 7/2008 Kim et al.  
D576,582 S \* 9/2008 Gartrell ..... D14/138 AA  
D576,584 S \* 9/2008 Buckle et al. .... D14/138 AA  
D576,598 S \* 9/2008 Lim et al. .... D14/138 AA  
D576,990 S 9/2008 Han et al.  
D576,992 S 9/2008 Kim et al.  
D576,993 S 9/2008 Park et al.

D576,994 S 9/2008 Oh et al.  
D577,351 S 9/2008 Kim et al.  
D578,101 S 10/2008 Park et al.  
D578,502 S 10/2008 Kim et al.  
D589,925 S \* 4/2009 Shi ..... D14/138 AA  
D597,046 S \* 7/2009 Millora ..... D14/138 AA  
2005/0221874 A1\* 10/2005 Cho et al. .... 455/575.4  
2006/0105806 A1\* 5/2006 Vance et al. .... 455/556.1

## OTHER PUBLICATIONS

Samsung B2100 Xplorer telephone, announced Mar. 2009, [online], [site visited Sep. 16, 2009]. Available from Internet, <URL: <http://www.gsmarena.com>>.\*  
Samsung A657 telephone, announced Apr. 2009, [online], [site visited Sep. 16, 2009]. Available from Internet, <URL: <http://www.gsmarena.com>>.\*  
Siemens SXG75 telephone, announced 1<sup>st</sup> quarter 2005, [online], [site visited Sep. 16, 2009]. Available from Internet, <URL: <http://www.gsmarena.com>>.\*  
U.S. Appl. No. 29/301,764, filed Mar. 14, 2008, Applicant: Jong-Bo Jung, et al., entitled Portable Telephone.  
U.S. Appl. No. 29/307,987, filed May 21, 2008, Applicant: Seong-Won Cha, et al., entitled Portable Telephone.  
U.S. Appl. No. 29/307,984, filed May 21, 2008, Applicant: Bum-Soo Park, et al., entitled Portable Telephone.  
Samsung i320 telephone, announced Feb. 2006, [online], [retrieved on Jun. 16, 2007]. Retrieved from Internet, URL:<http://www.gsmarena.com>.  
Samsung P300 telephone, announced 4<sup>th</sup> quarter, 2005, [online], [retrieved on Jun. 16, 2007]. Retrieved from Internet, URL:<http://www.gsmarena.com>.  
U.S. Appl. No. 29/310,999, filed Sep. 24, 2008, Applicant: Ki-Eon Lee, et al., entitled Portable Telephone.  
U.S. Appl. No. 29/312,004, filed Sep. 24, 2008, Applicant: Ki-Eon Lee, et al., entitled Portable Telephone.  
U.S. Appl. No. 29/312,003, filed Sep. 24, 2008, Applicant: Bo-Ra Kim, et al., entitled Portable Telephone.  
U.S. Appl. No. 29/312,002, filed Sep. 24, 2008, Applicant: Bo-Ra Kim, et al., entitled Portable Telephone.  
U.S. Appl. No. 29/312,490, filed Oct. 23, 2008, Applicant: Jin-Soo Kim, et al., entitled Portable Telephone.

\* cited by examiner



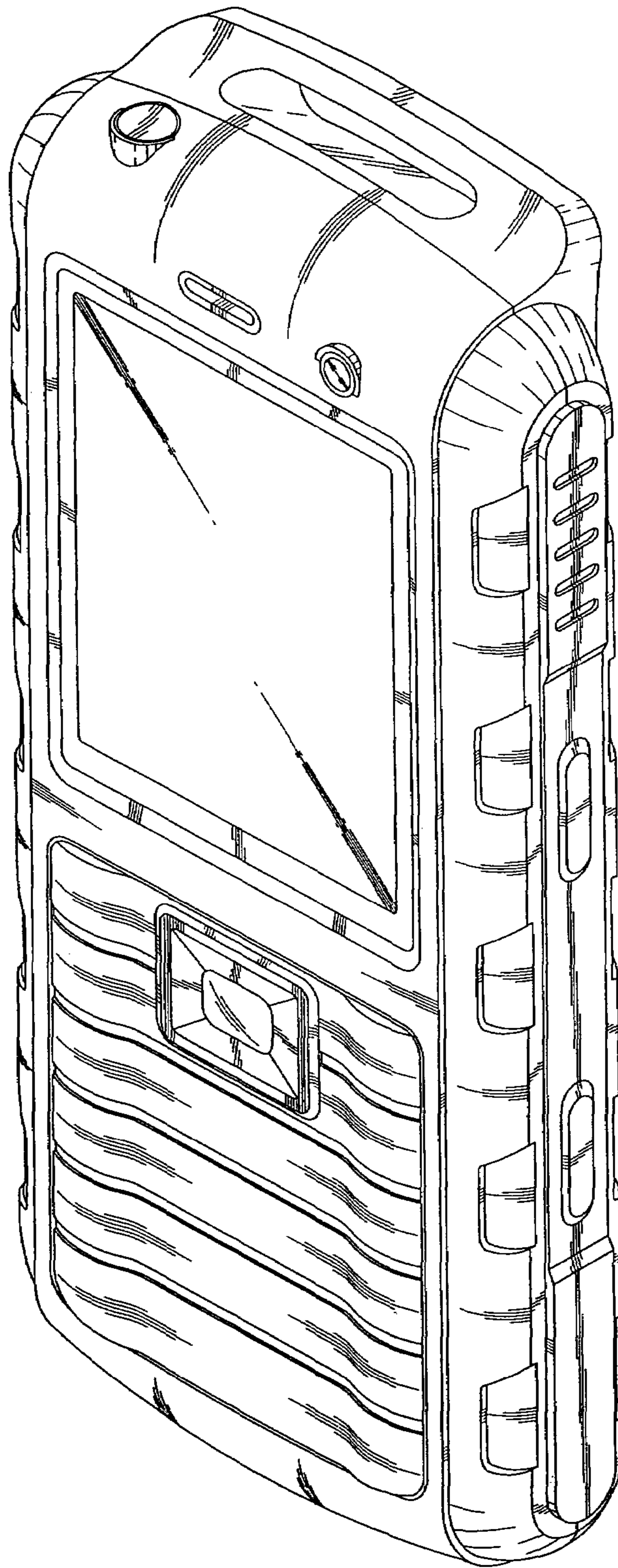


FIG.1

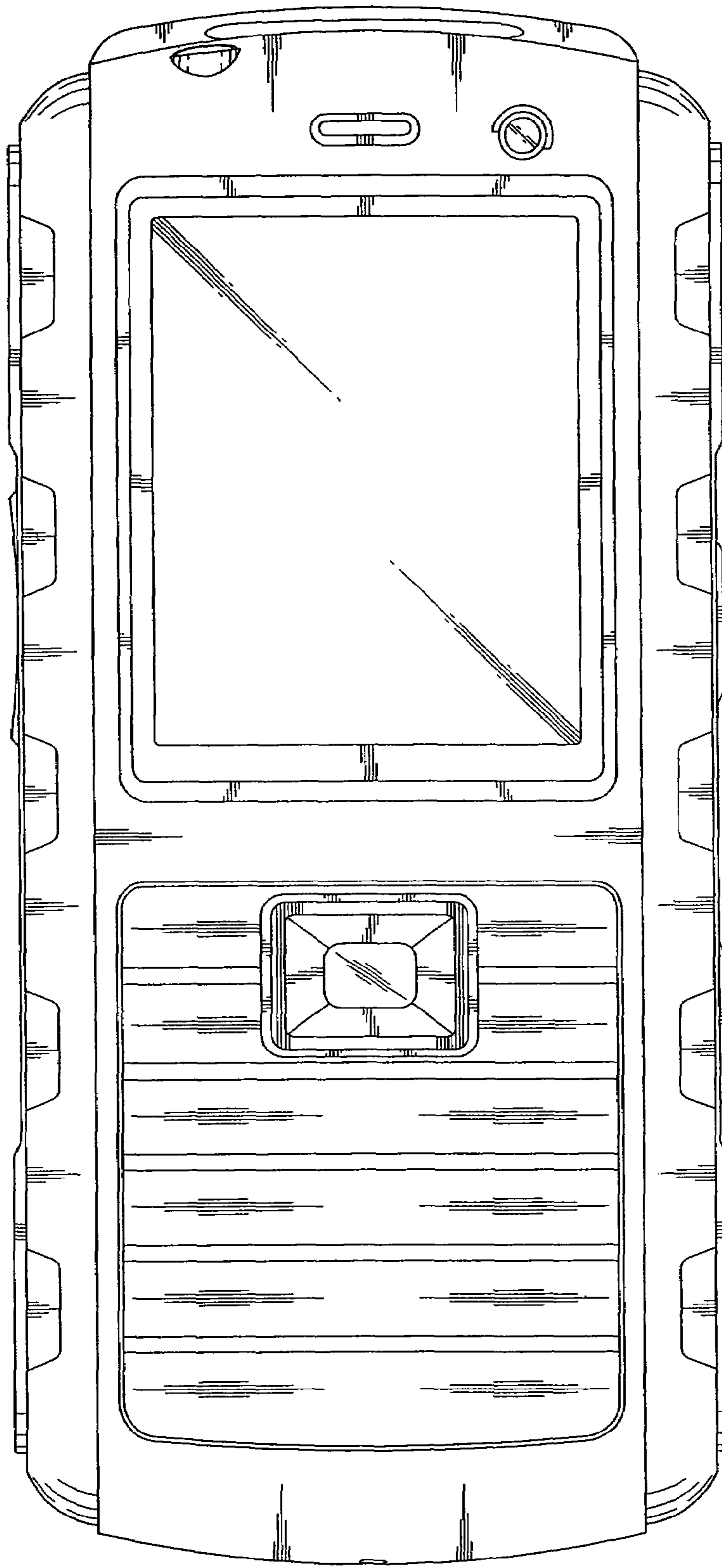


FIG. 2

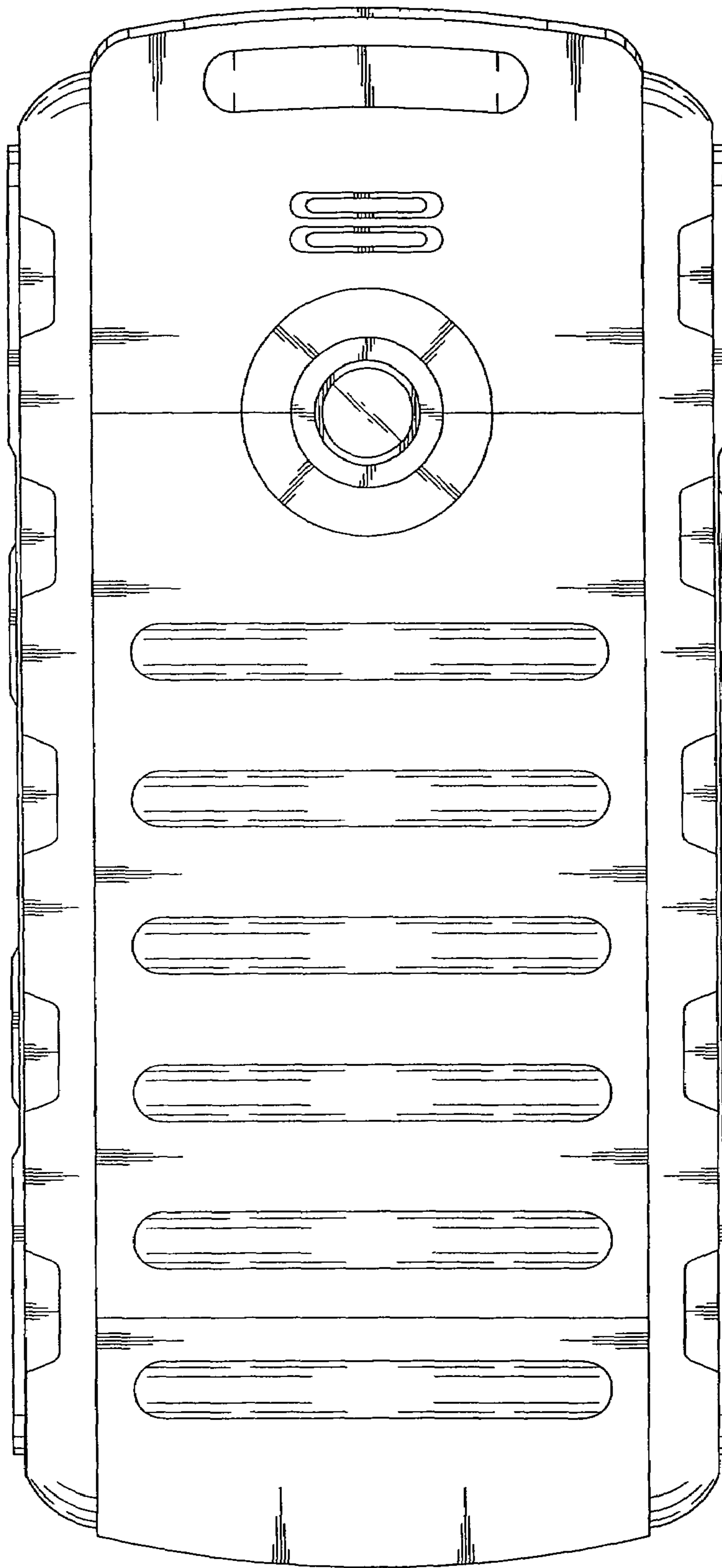


FIG.3

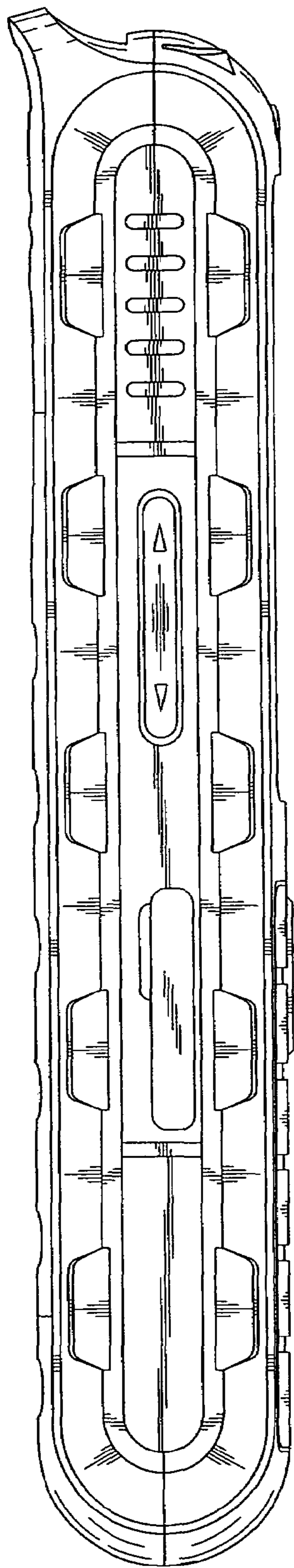


FIG.4

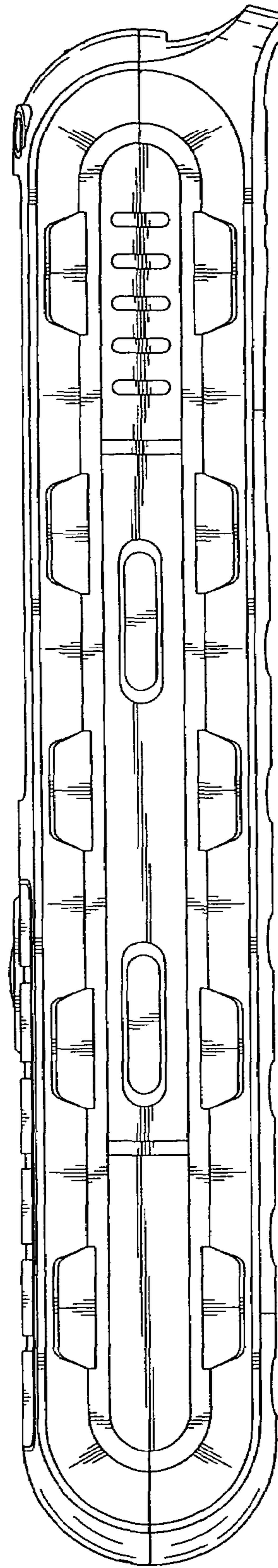


FIG.5

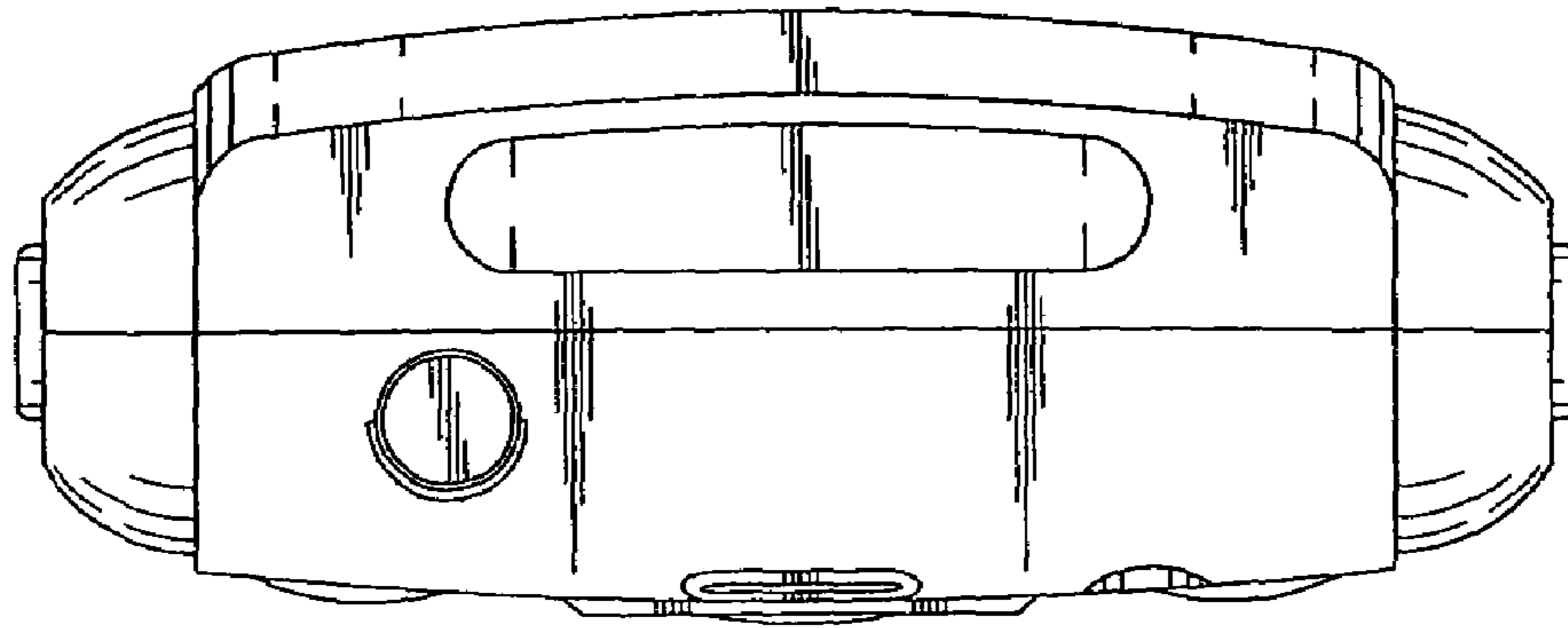


FIG. 6

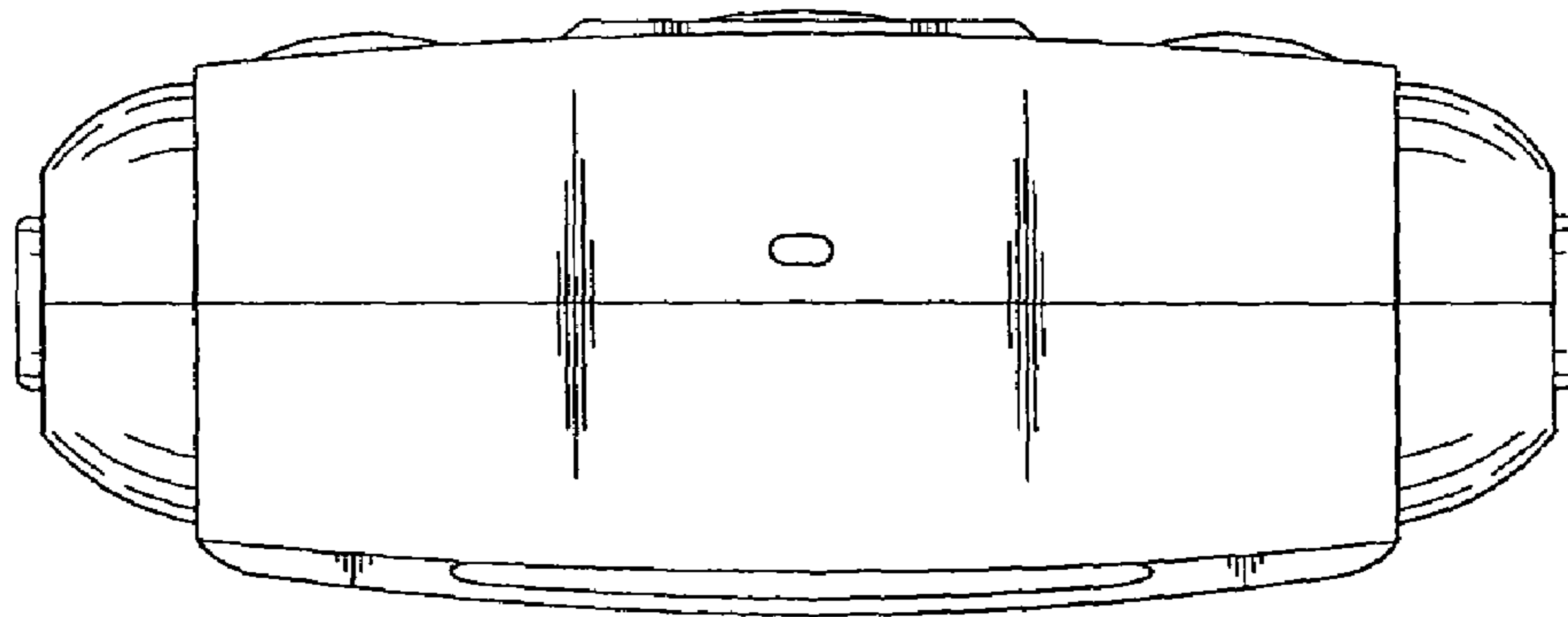


FIG. 7