



US00D610104S

(12) **United States Design Patent**  
**Yamaguchi et al.**

(10) **Patent No.:** **US D610,104 S**

(45) **Date of Patent:** **\*\* Feb. 16, 2010**

(54) **TELEVISION RECEIVER**

(75) Inventors: **Takahiro Yamaguchi**, Chiyoda-ku (JP);  
**Yuji Fujishiro**, Chiyoda-ku (JP)

(73) Assignee: **Mitsubishi Electric Corporation**,  
Tokyo (JP)

(\*\*) Term: **14 Years**

(21) Appl. No.: **29/340,332**

(22) Filed: **Jul. 16, 2009**

(30) **Foreign Application Priority Data**

Apr. 3, 2009 (JP) ..... 2009-007794

(51) **LOC (9) Cl.** ..... **14-03**

(52) **U.S. Cl.** ..... **D14/126**

(58) **Field of Classification Search** ..... D14/125-134,  
D14/239, 371, 136, 374-377, 440, 450, 448,  
D14/336, 342; 312/7.2; 348/836, 838, 180,  
348/184, 325, 739; 341/12; 248/917-924,  
248/465; 345/104, 133, 156, 168, 87, 173;  
720/605, 669, 600, 655; 369/99, 197; 455/344-347;  
D21/329, 515, 577, 622, 333, 433, 448, 452,  
D21/450, 331; D6/477, 479, 300; 273/148 B;  
446/484, 175, 356; D10/15, 26  
See application file for complete search history.

(56) **References Cited**

**U.S. PATENT DOCUMENTS**

D436,087 S \* 1/2001 Takami et al. .... D14/126

D539,245 S \* 3/2007 Bischoff ..... D14/126  
D566,669 S \* 4/2008 Ooshima et al. .... D14/126  
D568,845 S \* 5/2008 Takami et al. .... D14/126  
D594,830 S \* 6/2009 Shiraki et al. .... D14/129

\* cited by examiner

*Primary Examiner*—Raphael Barkai

(74) *Attorney, Agent, or Firm*—Sughrue Mion, PLLC

(57) **CLAIM**

The ornamental design for a television receiver, as shown and described.

**DESCRIPTION**

FIG. 1 is a front, top and right side perspective view of a television receiver, showing my new design;

FIG. 2 is a front elevational view thereof;

FIG. 3 is a rear elevational view thereof;

FIG. 4 is a top plan view thereof;

FIG. 5 is a bottom plan view thereof;

FIG. 6 is a left side elevational view thereof;

FIG. 7 is a right side elevational view thereof;

FIG. 8 is a cross-sectional view thereof; taken along line 8—8 of FIG. 2, with the internal system omitted; and,

FIG. 9 is a reference view showing the state in use.

The broken lines shown in FIG. 9 are for illustrative purposes only and form no part of the claimed design.

**1 Claim, 4 Drawing Sheets**

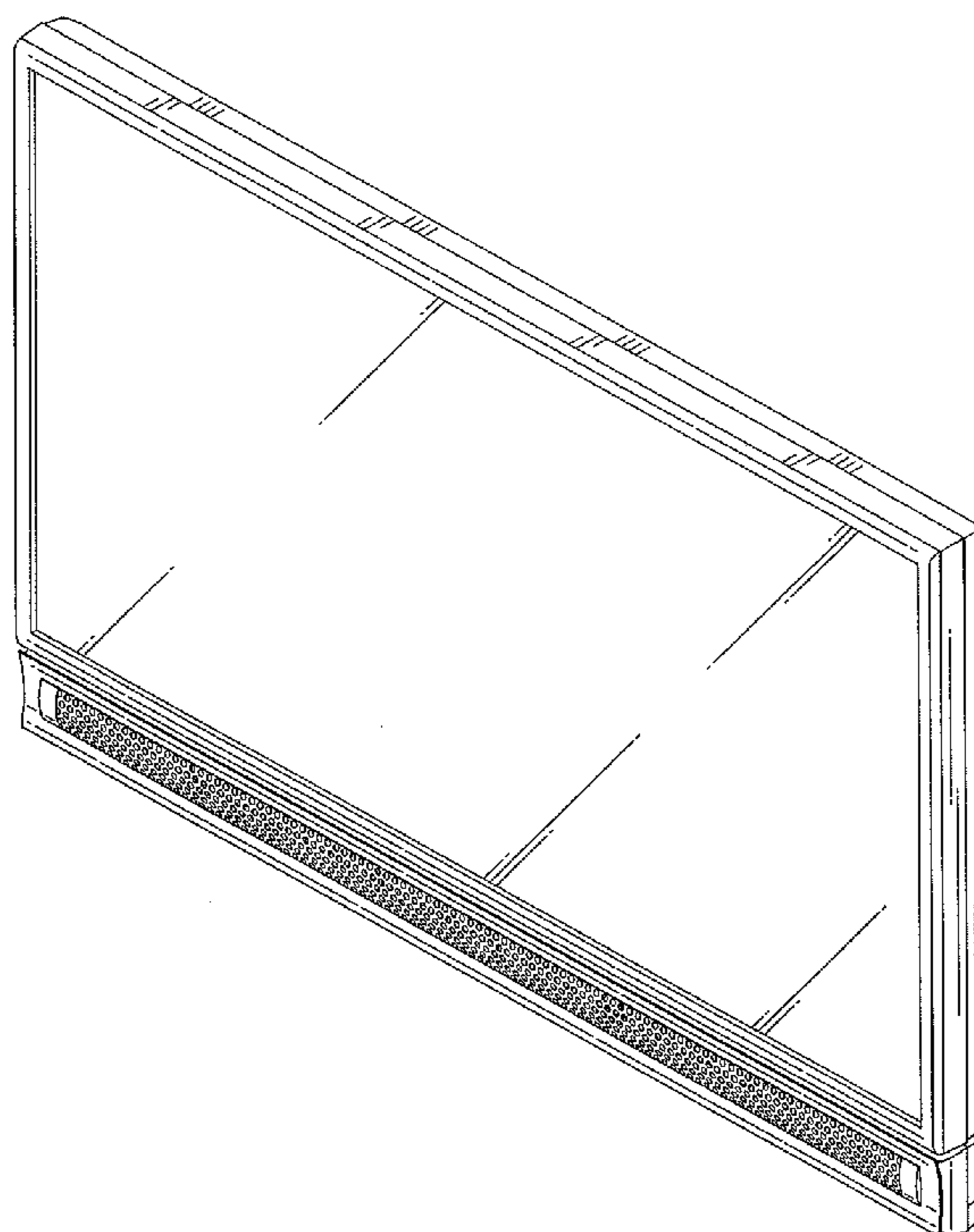


FIG. 1

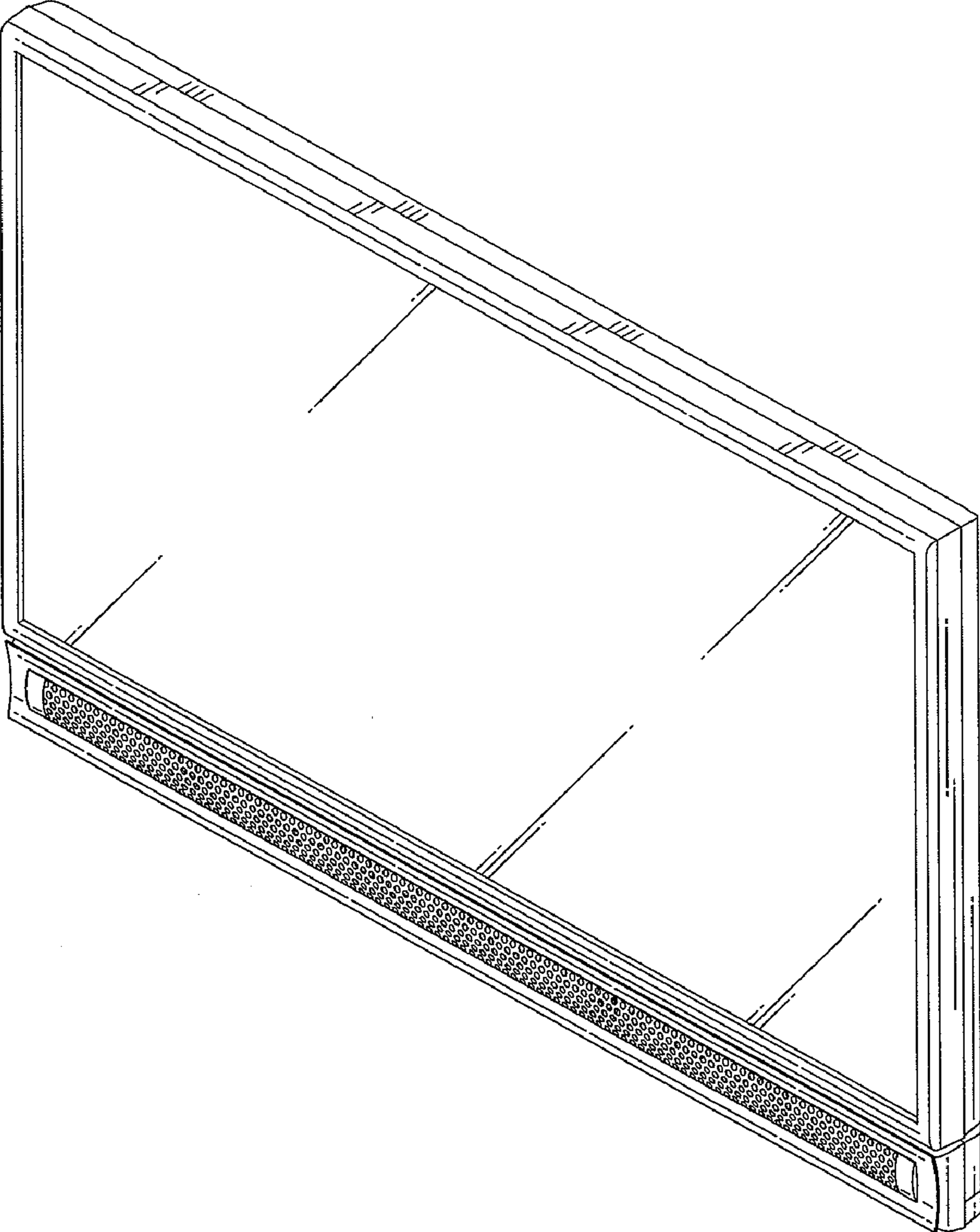
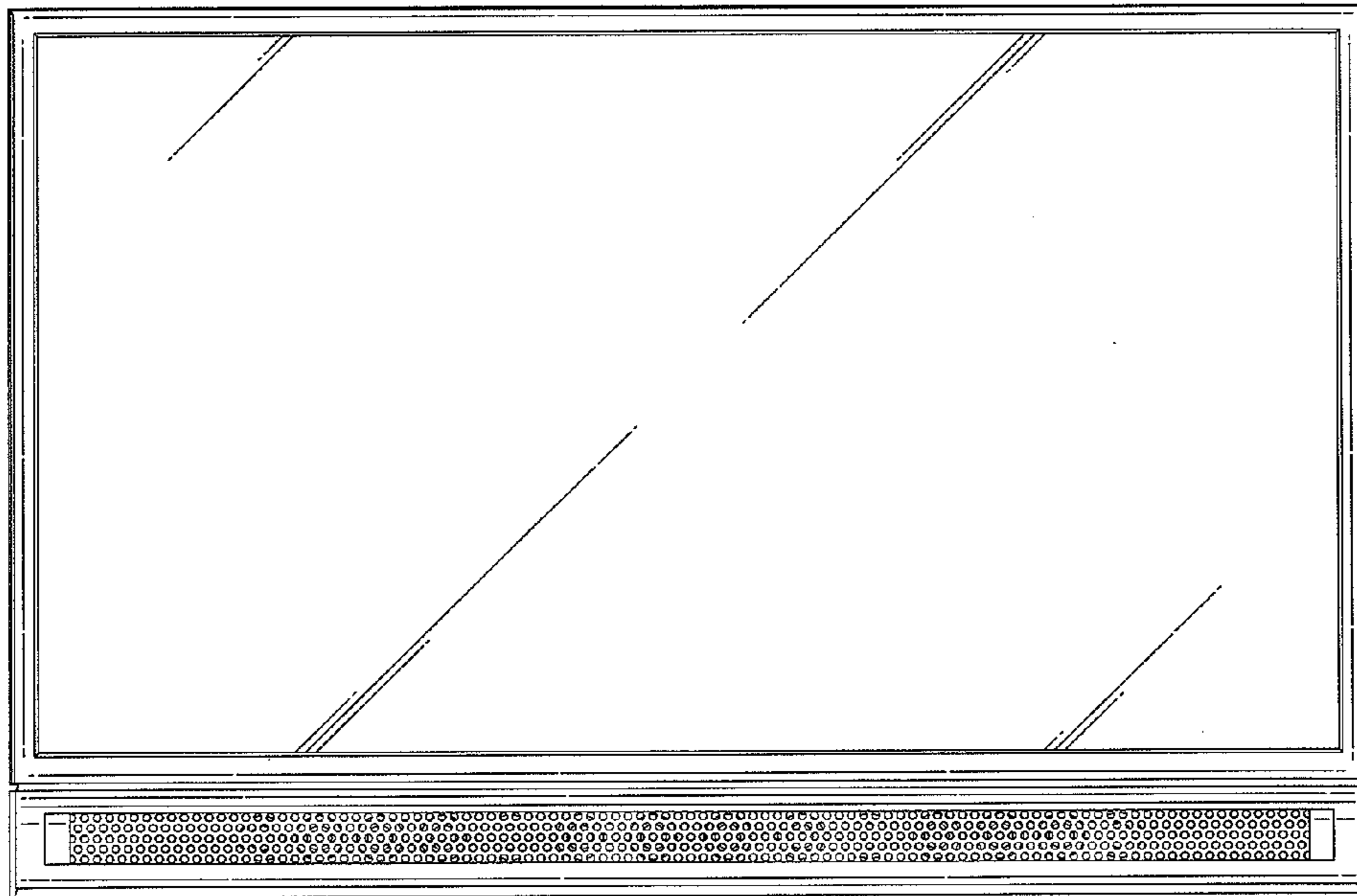


FIG.2  
8 ←



8 ←  
FIG.3

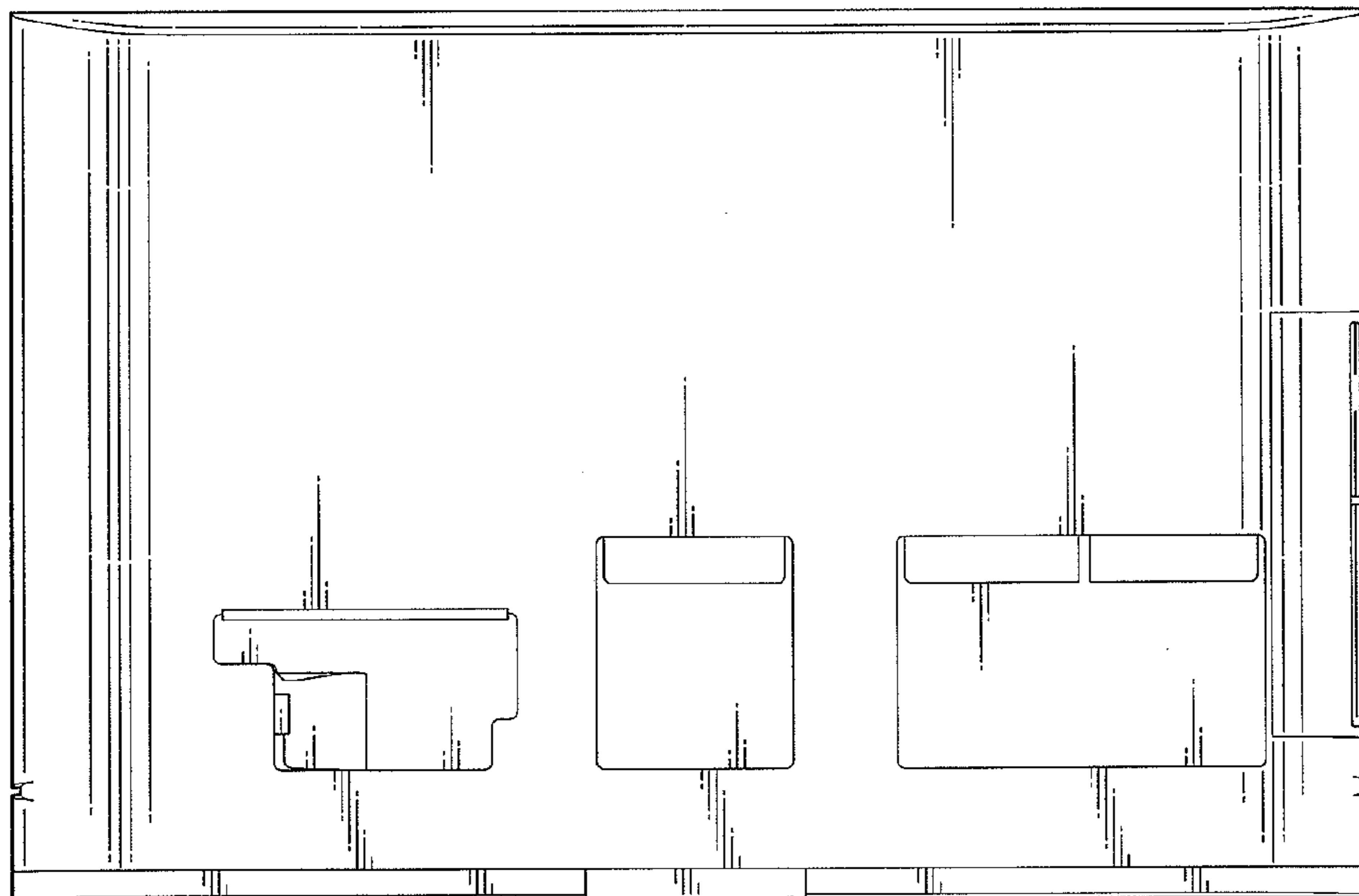


FIG. 4

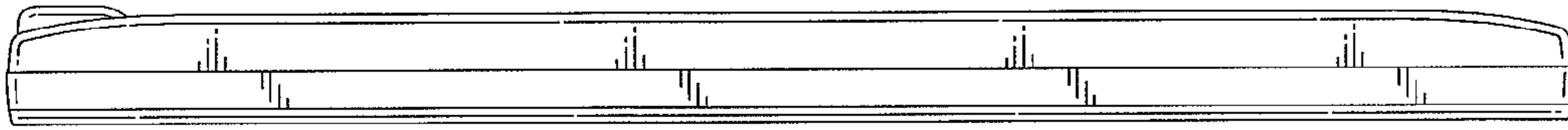


FIG. 5

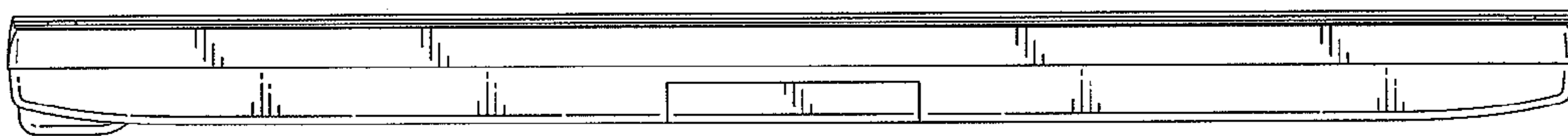


FIG. 6

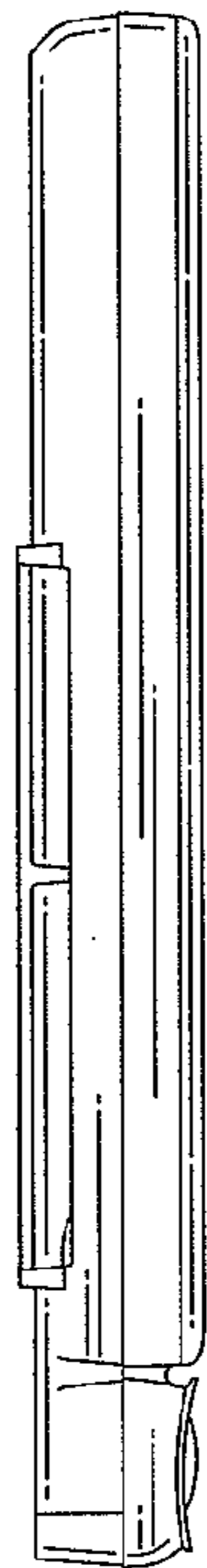


FIG. 7



FIG. 8

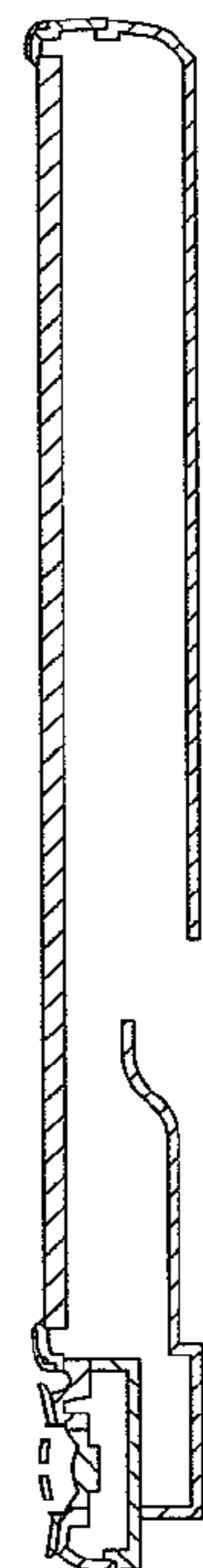
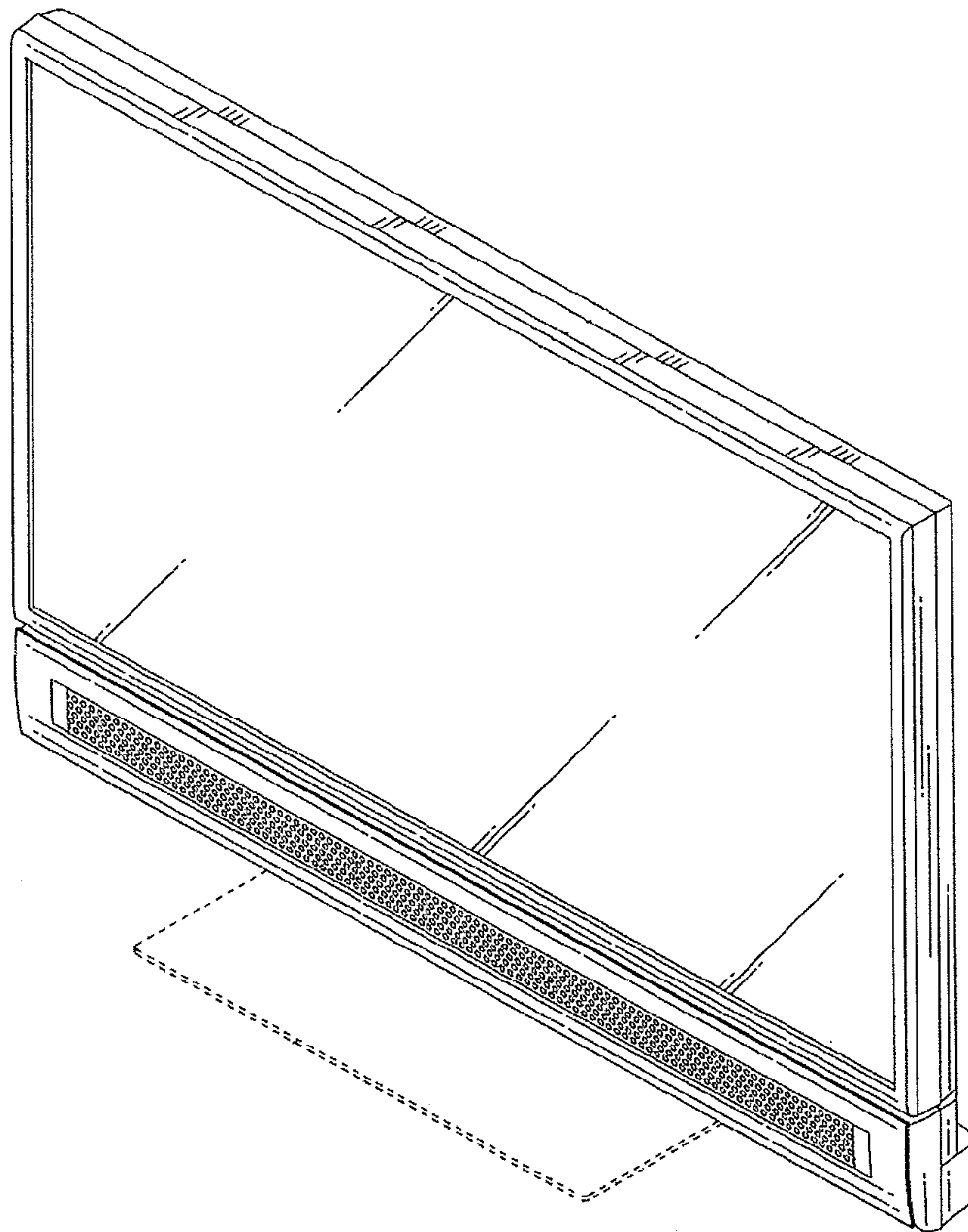


FIG. 9



UNITED STATES PATENT AND TRADEMARK OFFICE  
**CERTIFICATE OF CORRECTION**

PATENT NO. : Des. 610,104 S  
APPLICATION NO. : 29/340332  
DATED : February 16, 2010  
INVENTOR(S) : Takahiro Yamaguchi and Yuji Fujishiro

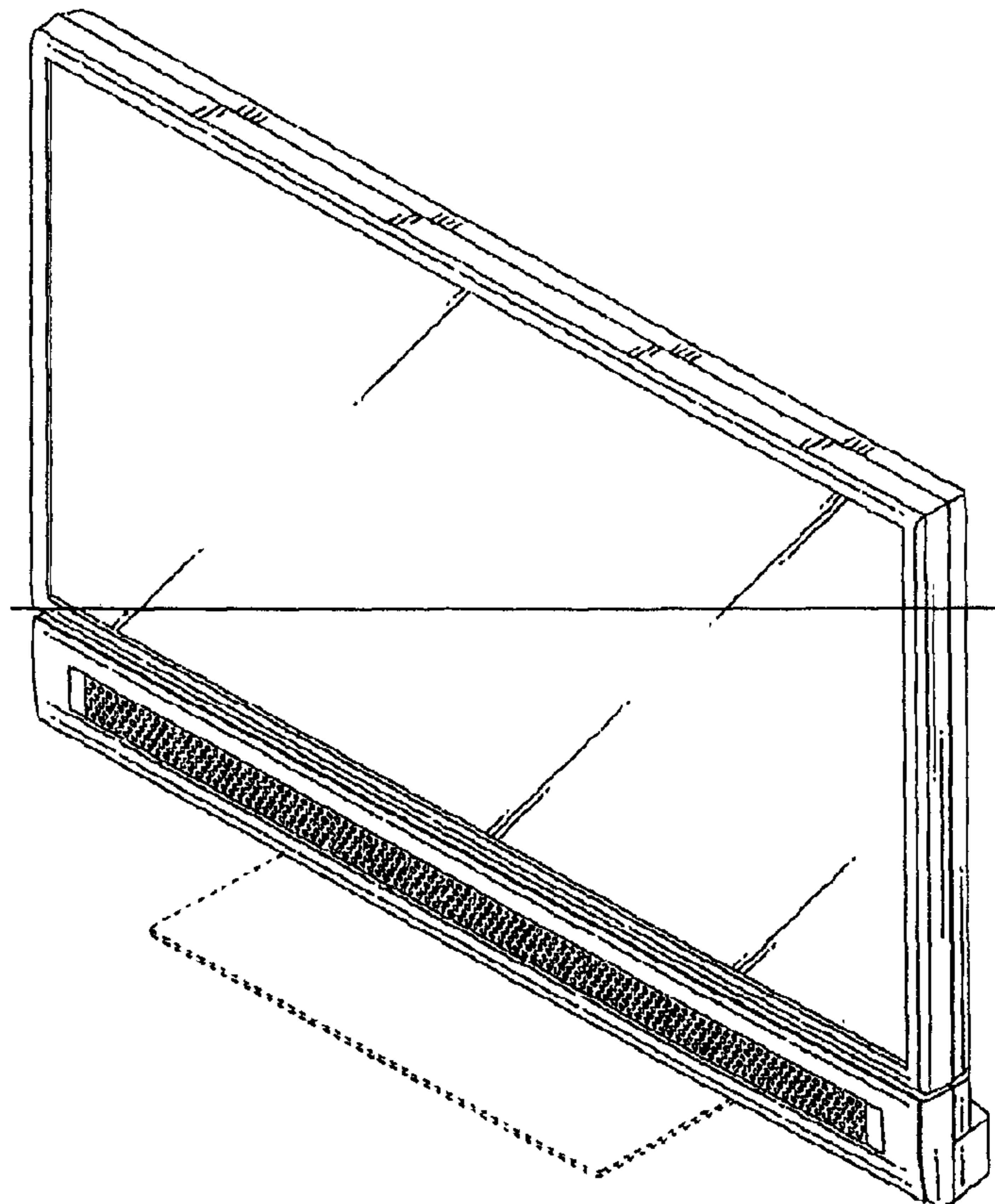
Page 1 of 2

It is certified that error appears in the above-identified patent and that said Letters Patent is hereby corrected as shown below:

**Column - Description**

Please remove FIG. 9 on Sheet 4 of 4 of US D610,104 S and replace with the attached FIG. 9.

~~FIG. 9~~



Signed and Sealed this

Fourteenth Day of September, 2010

*David J. Kappos*

David J. Kappos  
Director of the United States Patent and Trademark Office

FIG. 9

