



US00D610102S

(12) **United States Design Patent**
Cho et al.

(10) **Patent No.:** **US D610,102 S**
(45) **Date of Patent:** **** Feb. 16, 2010**

(54) **SET TOP BOX**

(75) Inventors: **Chul-Yong Cho**, Seoul (KR);
Kyung-Hoon Lee, Seoul (KR);
Dae-Joung Kim, Seoul (KR); **Bum-Ho Chun**, Seoul (KR)

(73) Assignee: **Samsung Electronics Co., Ltd.**, Suwon, Kyunggi-do (KR)

(**) Term: **14 Years**

(21) Appl. No.: **29/313,613**

(22) Filed: **Jan. 27, 2009**

(51) **LOC (9) Cl.** **14-03**

(52) **U.S. Cl.** **D14/125**

(58) **Field of Classification Search** D14/125-134,
D14/239, 371, 136, 374-377; 312/7.2; 348/836,
348/838, 180, 184, 325, 739; 341/12; 248/917-924,
248/465, 123.11; 345/104, 133, 156, 168,
345/87, 173, 169; 349/1, 2, 11, 62; 720/605,
720/669, 600, 655, 99, 197; 455/344-347
See application file for complete search history.

(56) **References Cited**

U.S. PATENT DOCUMENTS

- D323,823 S * 2/1992 Yonekura D14/125
- D508,901 S * 8/2005 Wu D14/506
- D529,879 S 10/2006 Park et al.
- D533,157 S 12/2006 Park
- D541,811 S 5/2007 Park
- D544,455 S 6/2007 Park et al.
- D545,774 S 7/2007 Woo et al.
- D551,183 S 9/2007 Park et al.
- D556,777 S * 12/2007 Hussaini et al. D14/496
- D560,176 S 1/2008 Woo
- D560,177 S 1/2008 Chun et al.
- D560,180 S * 1/2008 Park et al. D14/502
- D560,182 S * 1/2008 Park D14/506
- D560,689 S 1/2008 Cho
- D567,193 S 4/2008 Kang et al.
- D567,203 S * 4/2008 Park D14/502
- D571,754 S 6/2008 Cho et al.

- D574,793 S 8/2008 Kim et al.
- D584,254 S 1/2009 Jeon et al.
- D584,701 S 1/2009 Kim et al.
- D585,395 S 1/2009 Cho et al.
- D587,223 S 2/2009 Chun
- D587,224 S 2/2009 Chun et al.
- D588,558 S * 3/2009 Gwozdz D14/125
- D588,559 S * 3/2009 Kim et al. D14/125

OTHER PUBLICATIONS

- U.S. Appl. No. 29/310,033, Applicant: Dae-Joung Kim, et al., filed Jul. 23, 2008 entitled Set Top Box.
- U.S. Appl. No. 29/308,614, Applicant: Sang-Sung Woo, et al., filed Jun. 26, 2008 entitled Set Top Box.
- U.S. Appl. No. 29/308,615, Applicant: Dae-Joung Kim, et al., filed Jun. 26, 2008 entitled Set Top Box.

(Continued)

Primary Examiner—Raphael Barkai
Assistant Examiner—Randall H Gholson
(74) *Attorney, Agent, or Firm*—Flynn, Thiel, Boutell & Tanis, P.C.

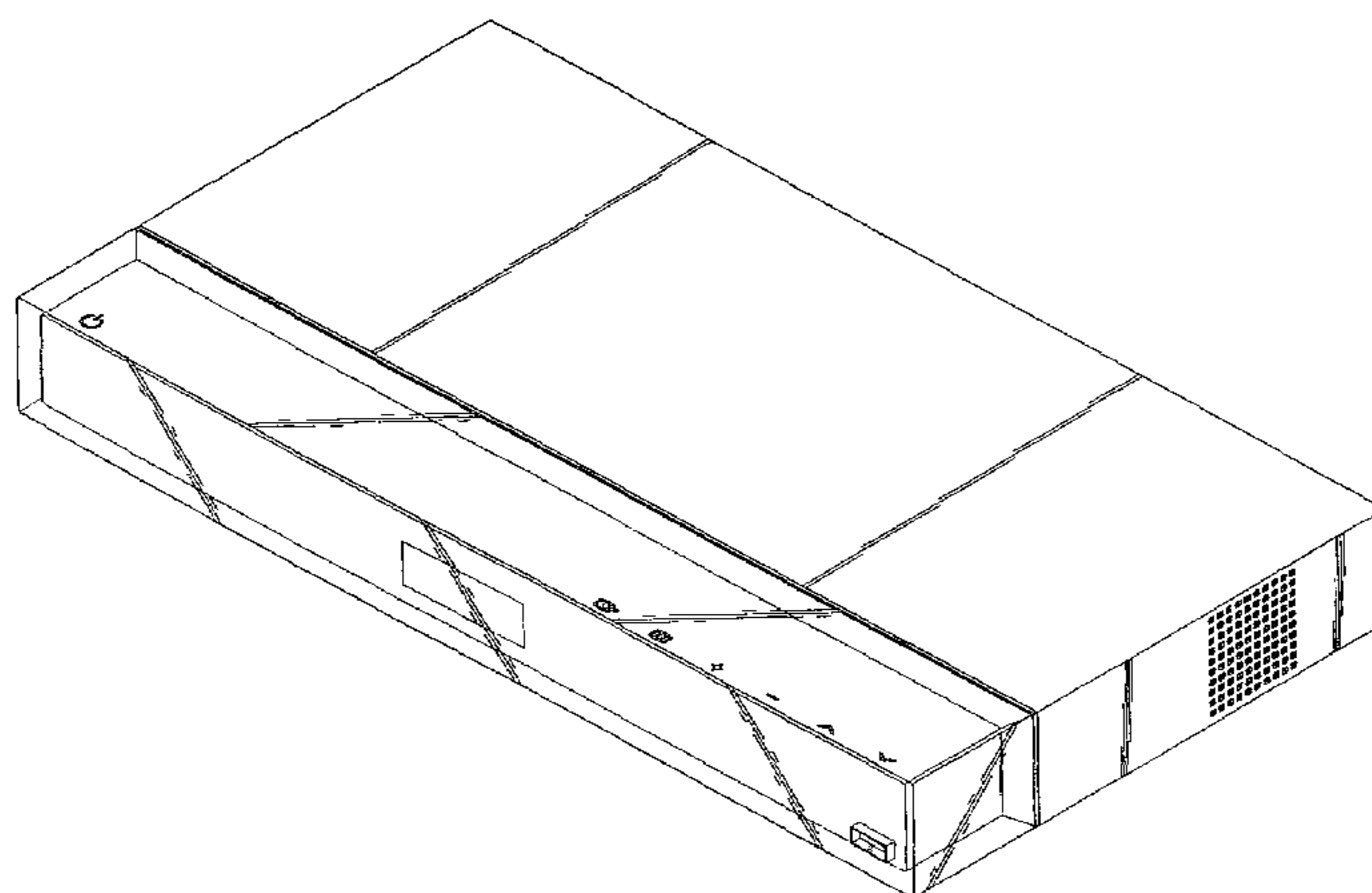
(57) **CLAIM**

The ornamental design for a set top box, as shown and described.

DESCRIPTION

FIG. 1 is a top front perspective view of a set top box showing our new design;
FIG. 2 is a front elevational view thereof;
FIG. 3 is a rear elevational view thereof;
FIG. 4 is a left side elevational view thereof;
FIG. 5 is a right side elevational view thereof;
FIG. 6 is a top plan view thereof; and,
FIG. 7 is a bottom plan view thereof.

1 Claim, 3 Drawing Sheets



OTHER PUBLICATIONS

U.S. Appl. No. 29/313,282, Applicant: Dae-Joung Kim, et al., filed Dec. 23, 2008 entitled Set Top Box.

U.S. Appl. No. 29/313,617, Applicant: Chul-Yong Cho, et al., filed Jan. 27, 2009 entitled Set Top Box.

U.S. Appl. No. 29/313,612, Applicant: Chul-Yong Cho, et al., filed Jan. 27, 2009 entitled Set Top Box.

U.S. Appl. No. 29/313,614, Applicant: Chul-Yong Cho, et al., filed Jan. 27, 2009 entitled Set Top Box.

U.S. Appl. No. 29/313,615, Applicant: Chul-Yong Cho, et al., filed Jan. 27, 2009 entitled Set Top Box.

U.S. Appl. No. 29/313,616, Applicant: Chul-Yong Cho, et al., filed Jan. 27, 2009 entitled Set Top Box.

U.S. Appl. No. 29/313,284, Applicant: Chul-Yong Cho, et al., filed Dec. 23, 2008 entitled Set Top Box.

* cited by examiner

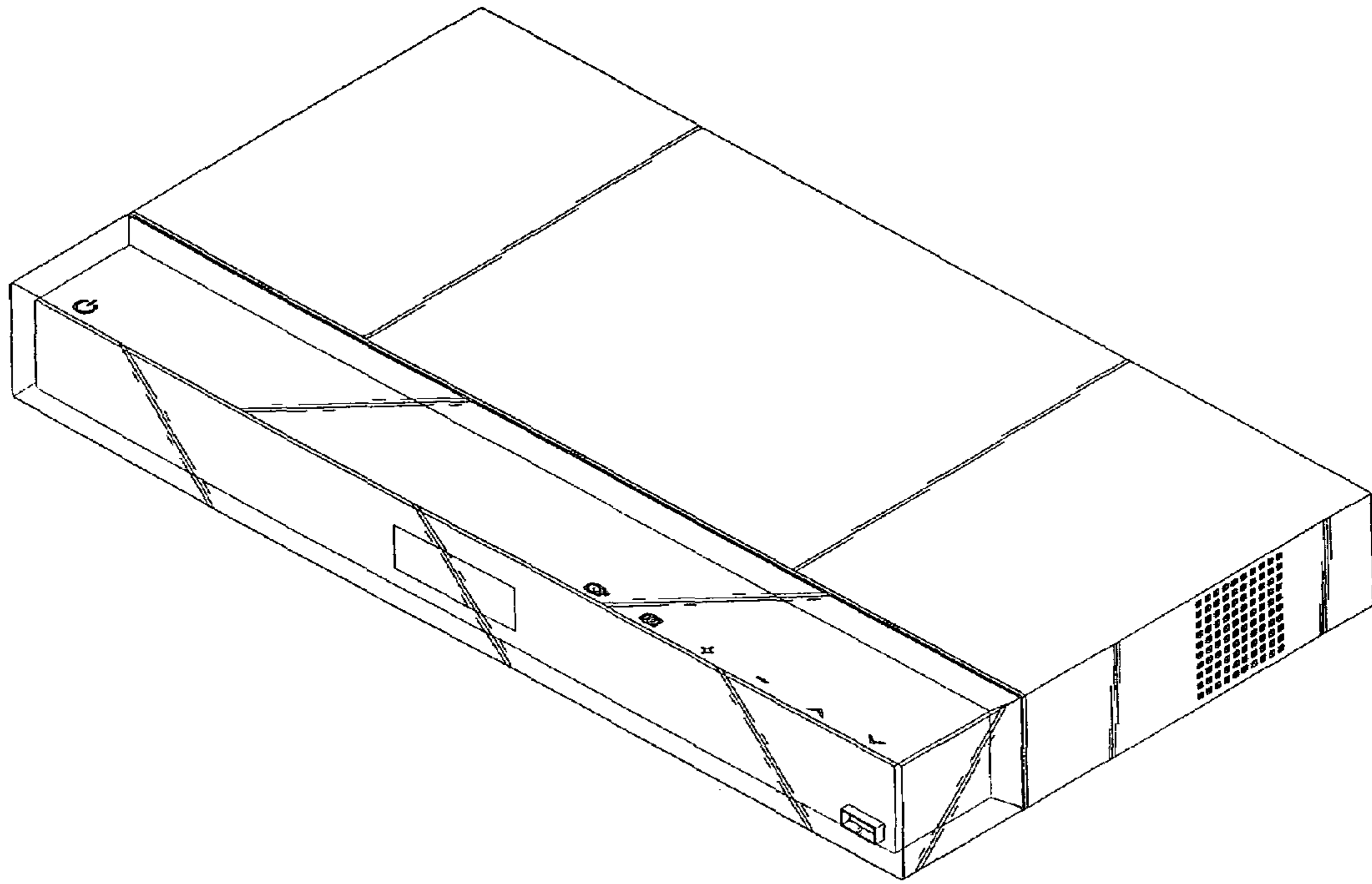


FIG. 1

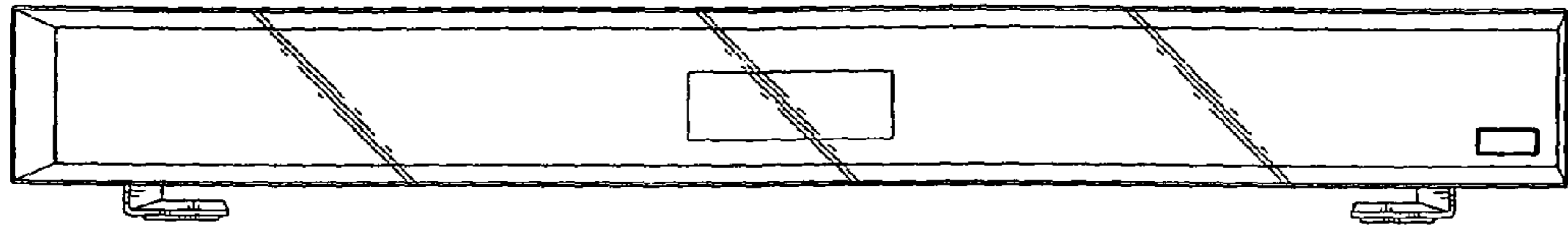


FIG. 2

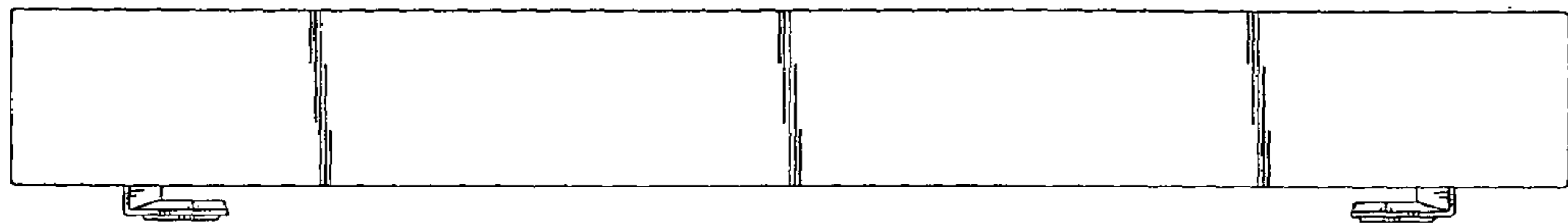


FIG. 3

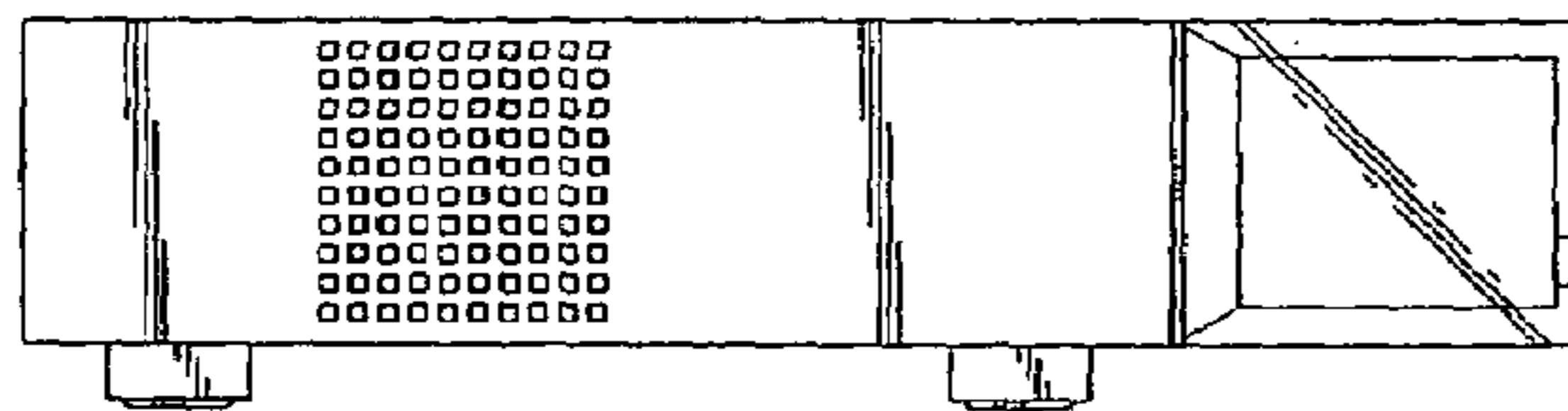


FIG. 4

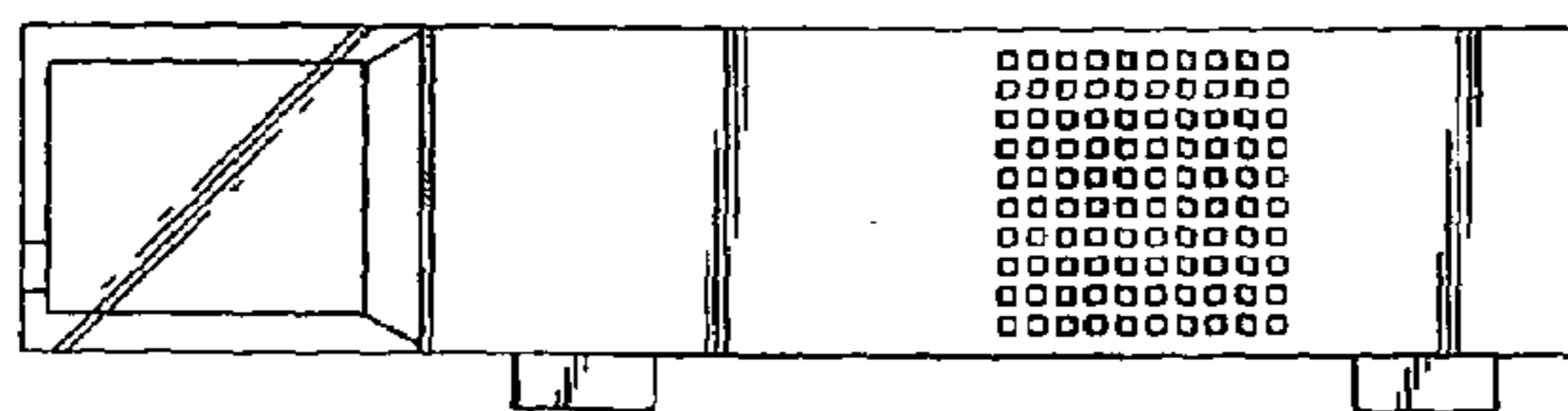


FIG. 5

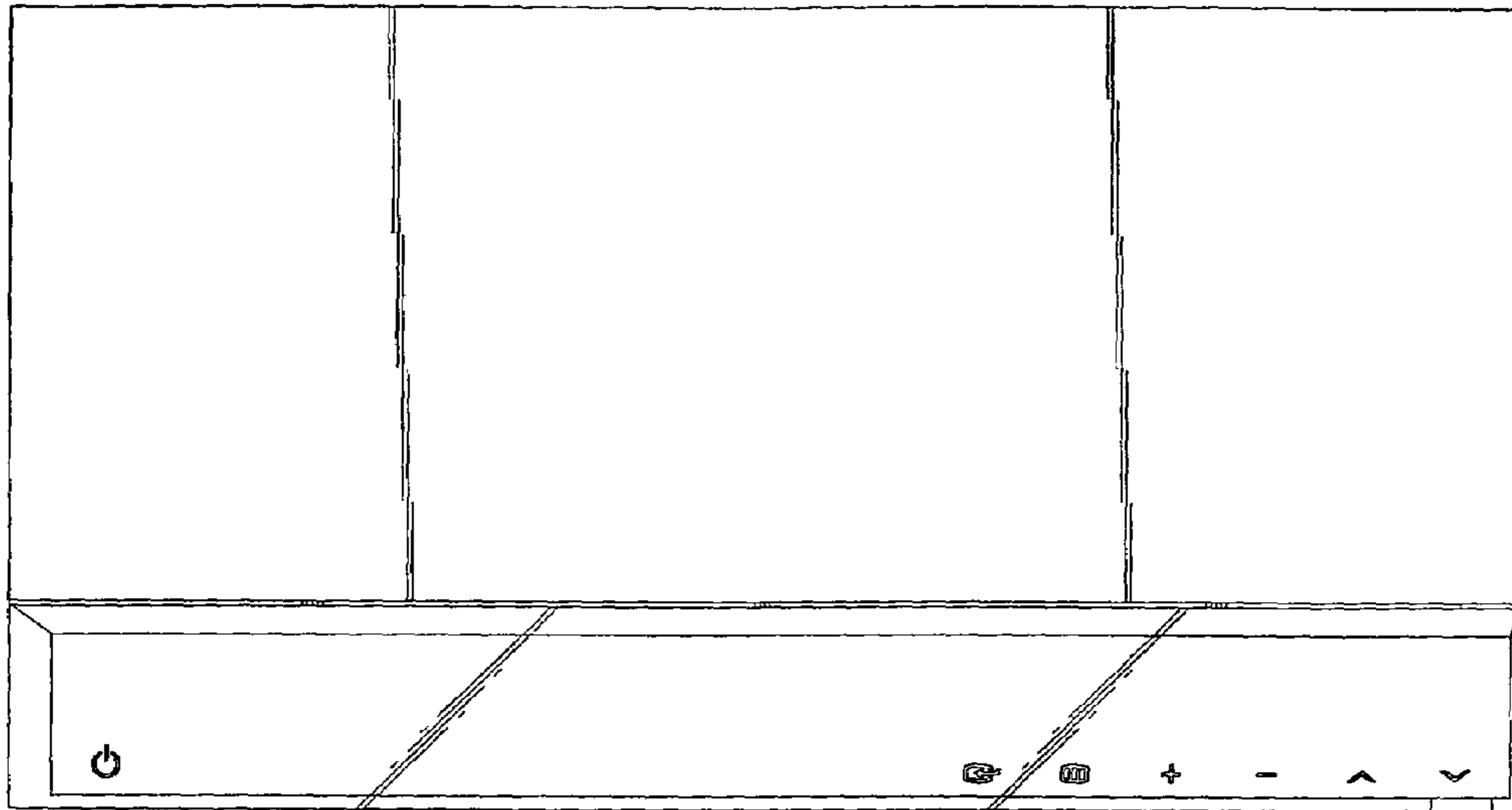


FIG. 6

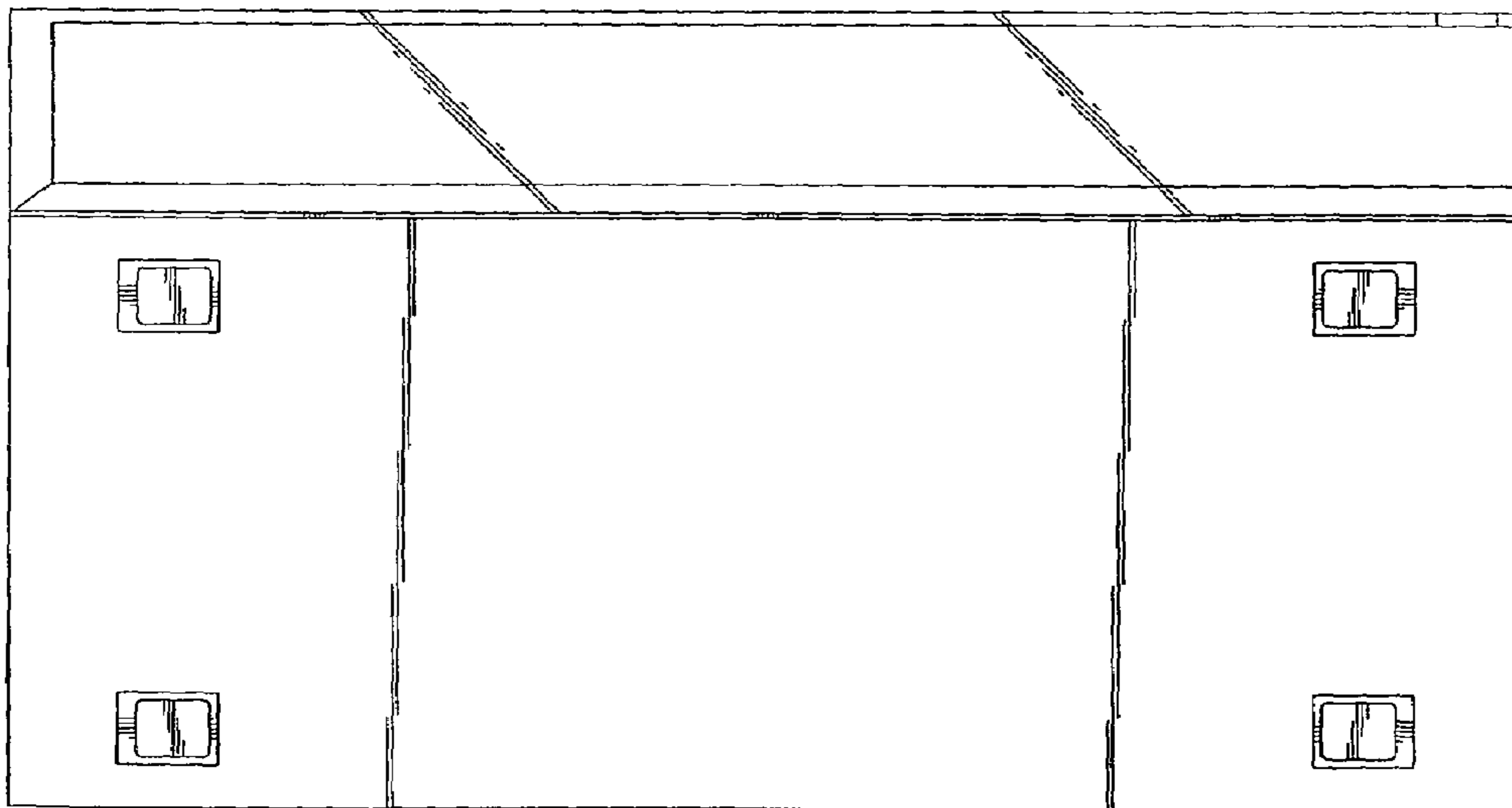


FIG. 7