



US00D610101S

(12) **United States Design Patent**  
**Spivey**

(10) **Patent No.:** **US D610,101 S**

(45) **Date of Patent:** **\*\* Feb. 16, 2010**

(54) **ACCESS POINT CIRCUIT RECEPTACLE**

D588,290 S \* 3/2009 Coushaine et al. .... D26/28  
D596,570 S \* 7/2009 Spivey ..... D13/133  
D599,040 S \* 8/2009 Alexander et al. .... D26/1

(75) Inventor: **Thomas P Spivey**, Pleasanton, CA (US)

(73) Assignee: **Cisco Technology, Inc.**, San Jose, CA (US)

\* cited by examiner

*Primary Examiner*—Daniel D Bui

*Assistant Examiner*—Thomas J Johannes

(74) *Attorney, Agent, or Firm*—Brinks Hofer Gilson & Liono

(\*\*) Term: **14 Years**

(21) Appl. No.: **29/330,833**

(57) **CLAIM**

(22) Filed: **Jan. 14, 2009**

I claim the ornamental design for an access point circuit receptacle, as shown and described.

(51) **LOC (9) Cl.** ..... **13-03**

(52) **U.S. Cl.** ..... **D13/182**

(58) **Field of Classification Search** ..... D13/110,  
D13/123, 133, 139.4, 146, 147, 151, 154,  
D13/156, 165, 184, 199; D8/358; D14/434;  
439/638

**DESCRIPTION**

See application file for complete search history.

FIG. 1 is a front perspective view of an access point circuit receptacle;

FIG. 2 is a front view thereof;

FIG. 3 is a rear view thereof;

FIG. 4 is a top view thereof;

FIG. 5 is a bottom view thereof;

FIG. 6 is a first side view thereof; and,

FIG. 7 is a second side view thereof.

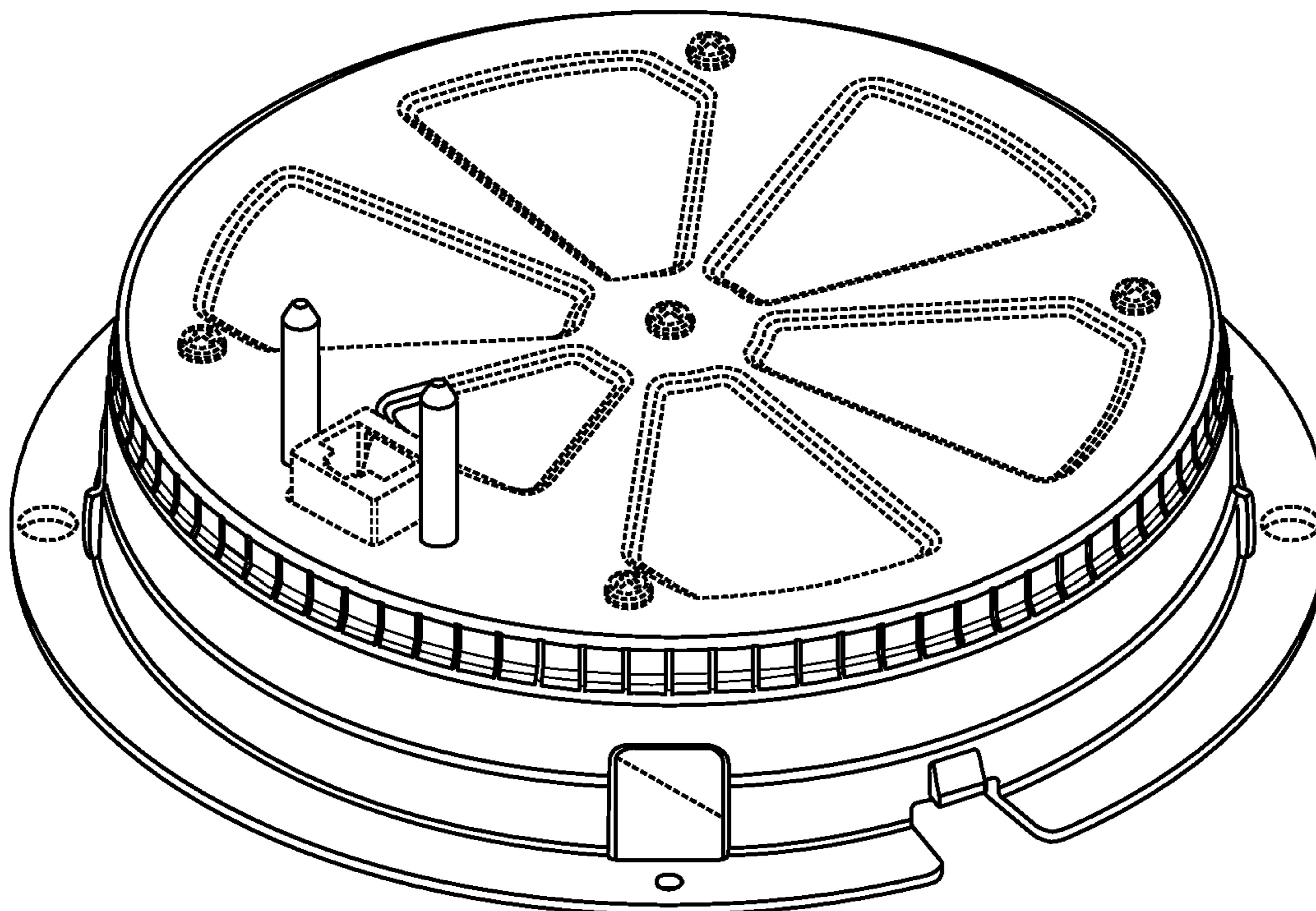
The broken lines in the Figures form no part of the claimed design.

(56) **References Cited**

**U.S. PATENT DOCUMENTS**

6,284,972 B1 \* 9/2001 Dillat et al. .... 174/60  
D473,516 S \* 4/2003 Gresham et al. .... D13/139.4  
D484,097 S \* 12/2003 Drane et al. .... D13/139.4  
7,057,566 B2 \* 6/2006 Theobald ..... 343/702  
D556,072 S \* 11/2007 Fawcett et al. .... D10/104  
D581,886 S \* 12/2008 Shida et al. .... D13/180  
D586,751 S \* 2/2009 Coushaine et al. .... D13/134

**1 Claim, 5 Drawing Sheets**



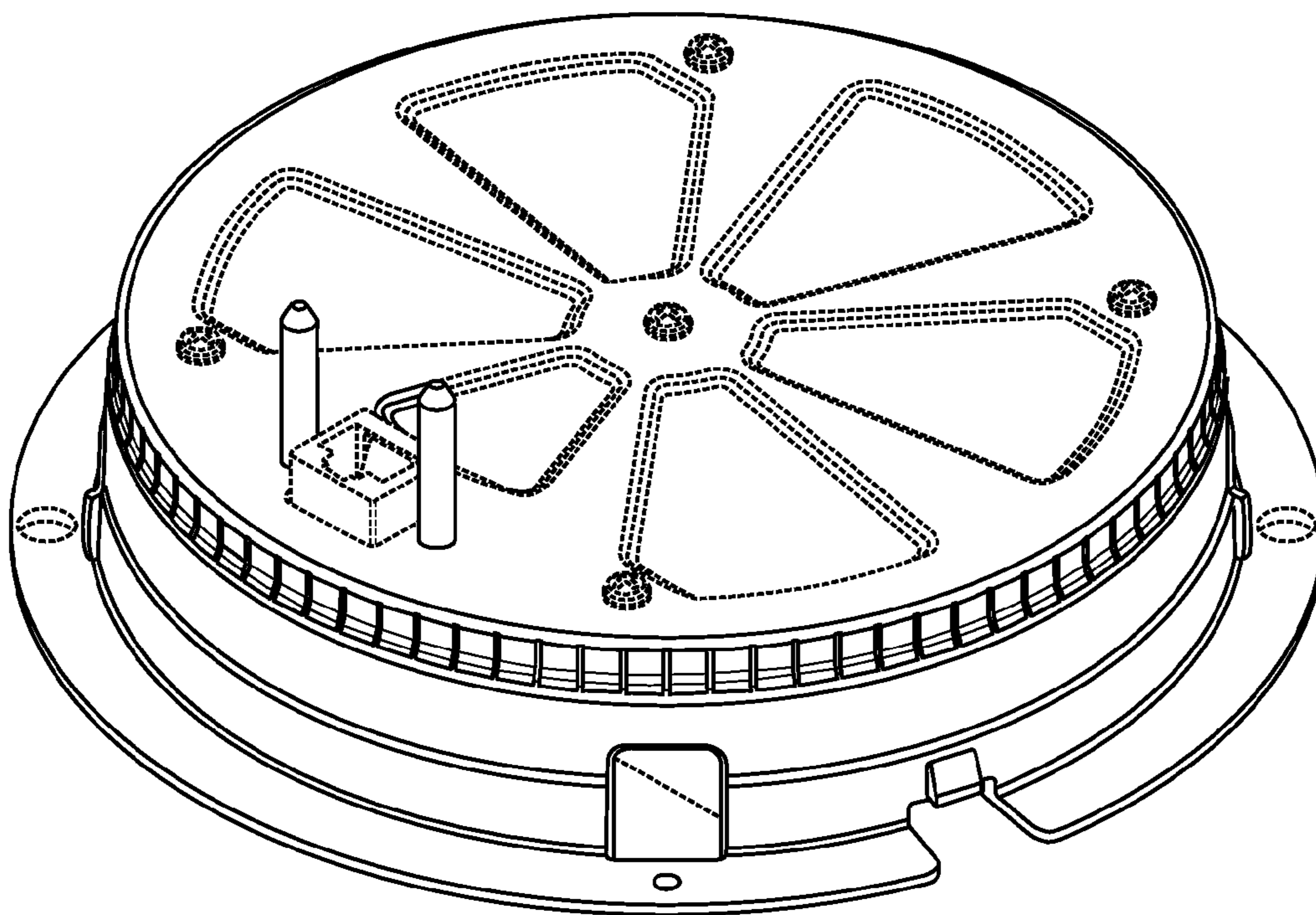


Fig. 1

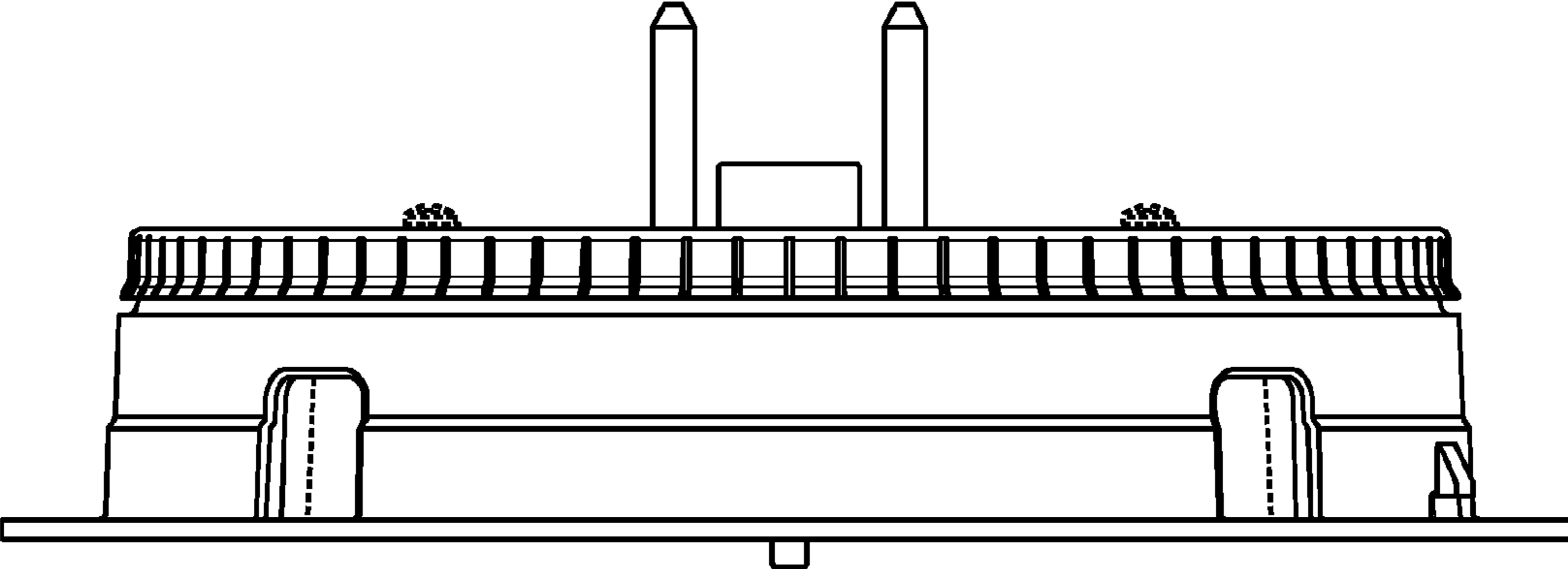


Fig. 2

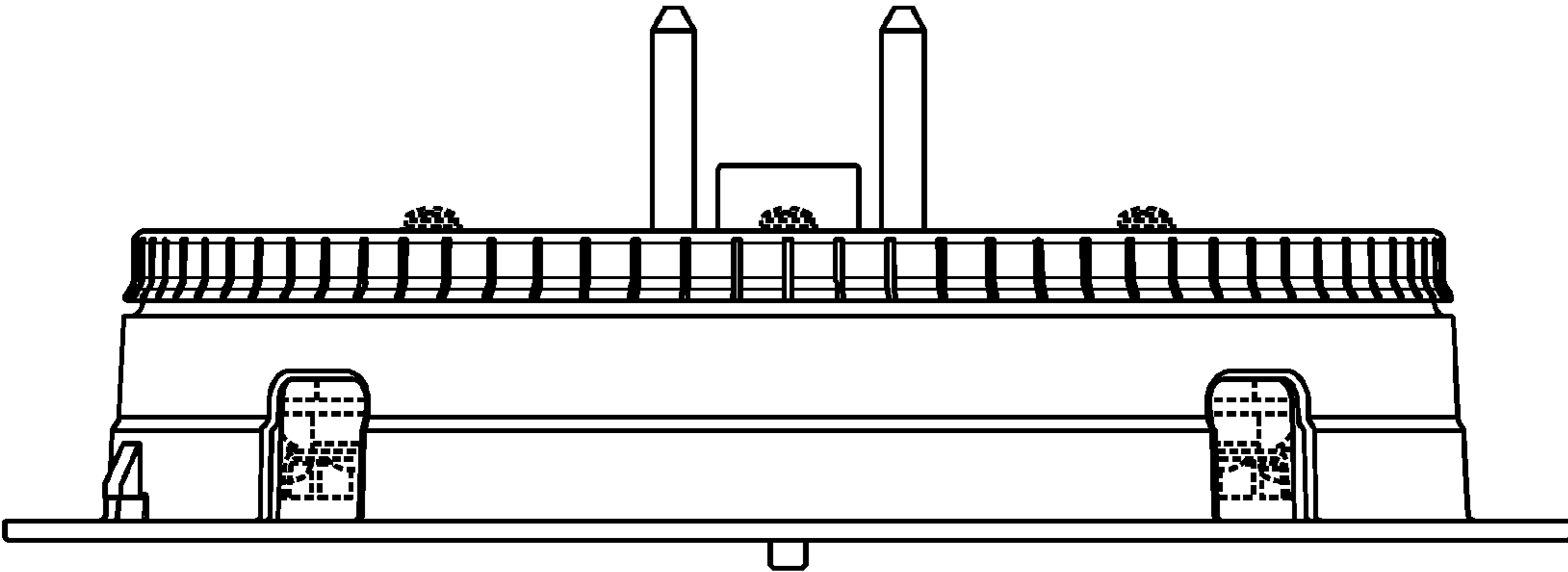


Fig. 3

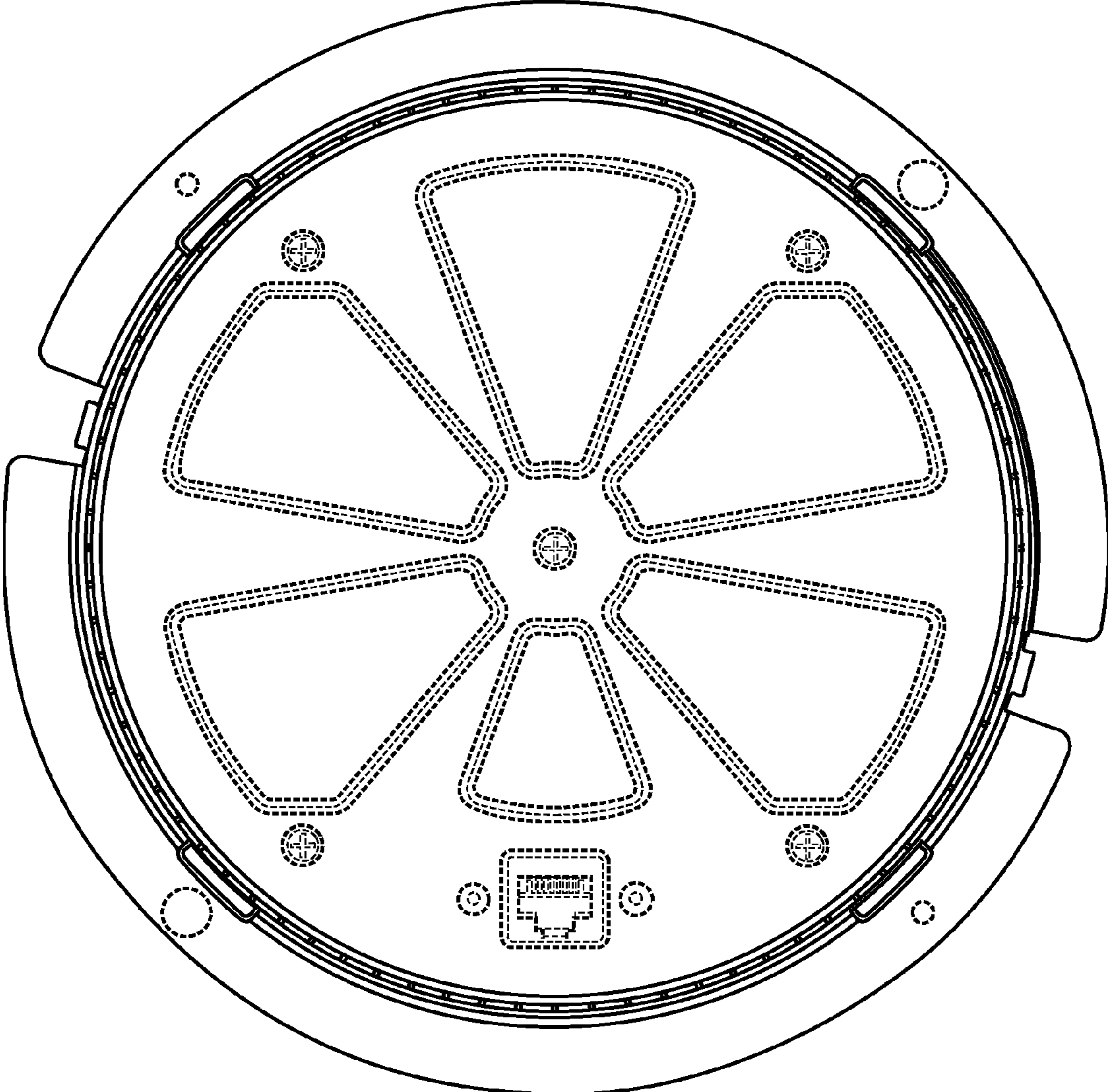


Fig. 4



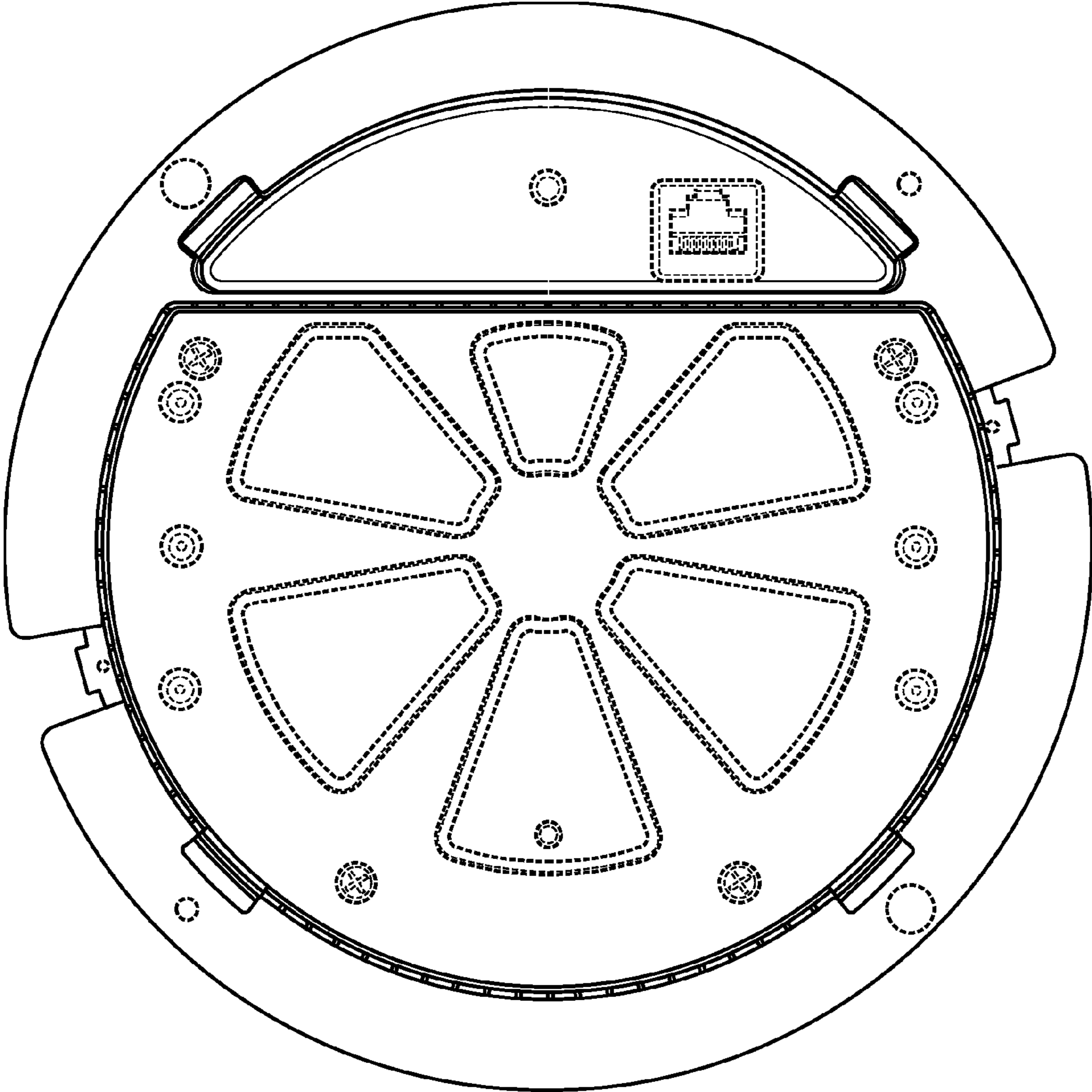


Fig. 5

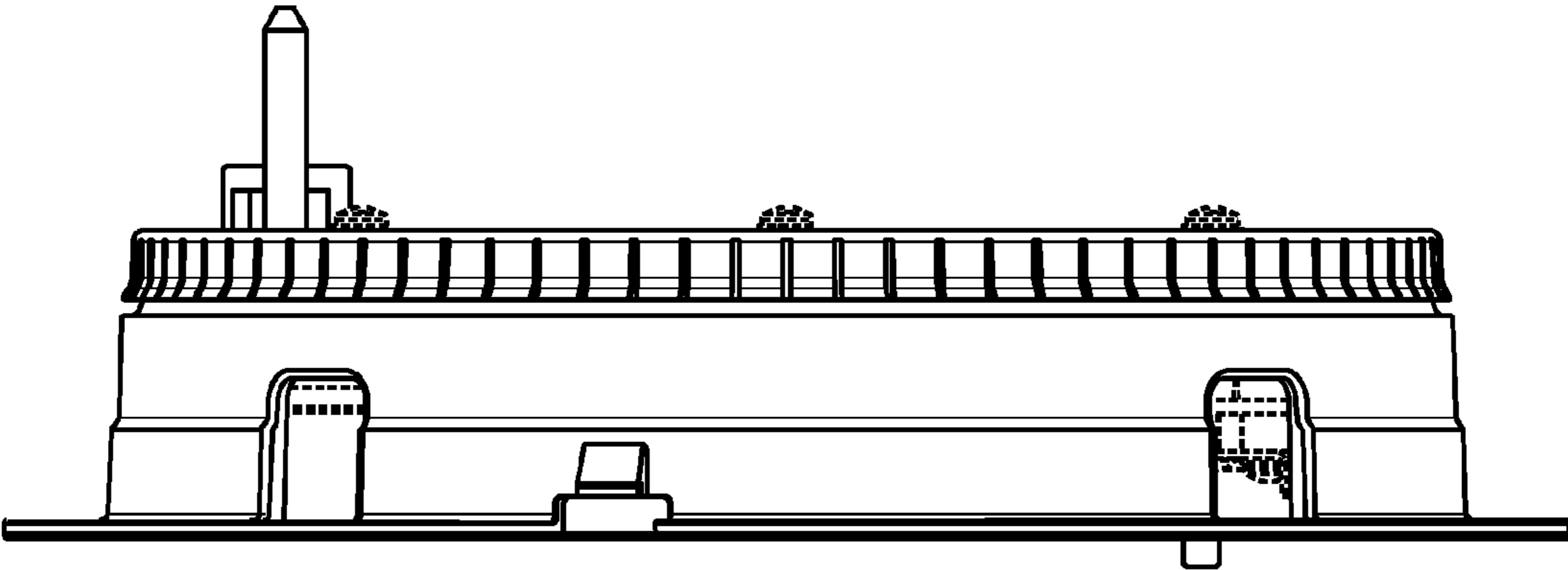


Fig. 6

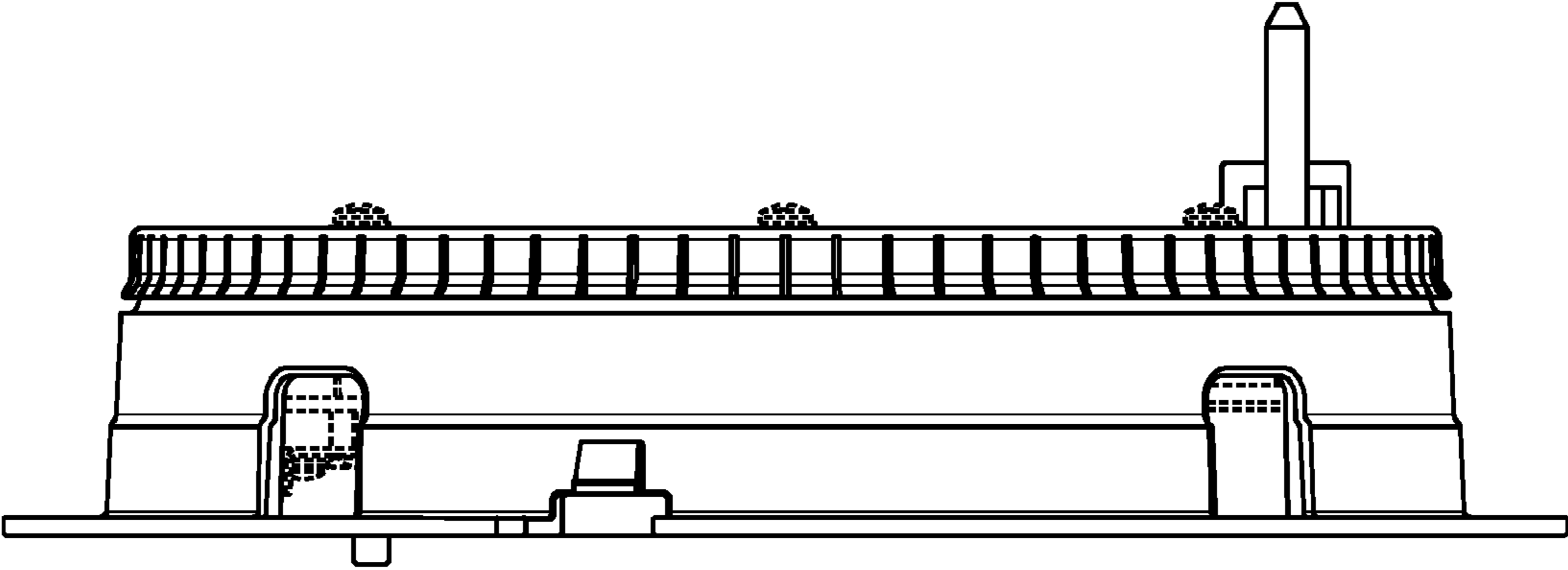


Fig. 7