



US00D610100S

(12) **United States Design Patent**  
**Chang et al.**

(10) **Patent No.:** **US D610,100 S**

(45) **Date of Patent:** **\*\* Feb. 16, 2010**

(54) **COAXIAL LIGHT SOURCE**

(75) Inventors: **Chih-Kuang Chang**, Taipei Hsien (TW); **Dong-Hai Li**, Shenzhen (CN); **Li Jiang**, Shenzhen (CN)

(73) Assignee: **Hon Hai Precision Industry Co., Ltd.**, Tu-Cheng, Taipei Hsien (TW)

(\*\*) Term: **14 Years**

(21) Appl. No.: **29/319,866**

(22) Filed: **Jun. 17, 2008**

(30) **Foreign Application Priority Data**

May 21, 2008 (CN) ..... 2008 3 0300654

(51) **LOC (9) Cl.** ..... **13-03**

(52) **U.S. Cl.** ..... **D13/180**

(58) **Field of Classification Search** ..... D13/101, D13/133-136, 146, 154, 184, 199; D26/113; 313/318.01, 318.05, 318.12; 439/236, 280, 439/660, 676; 385/76, 92, 88, 89, 139; 362/581  
See application file for complete search history.

(56) **References Cited**

**U.S. PATENT DOCUMENTS**

D409,623 S \* 5/1999 Bianco ..... D14/240  
5,924,889 A \* 7/1999 Wang ..... 439/490

D467,537 S \* 12/2002 Wu et al. .... D13/101  
D523,806 S \* 6/2006 Symanzik et al. .... D13/101  
D569,344 S \* 5/2008 Kwasaki ..... D13/135  
D597,502 S \* 8/2009 Ogata et al. .... D13/180  
2002/0146208 A1 \* 10/2002 Nakura et al. .... 385/53

\* cited by examiner

*Primary Examiner*—Daniel D Bui

*Assistant Examiner*—Thomas J Johannes

(74) *Attorney, Agent, or Firm*—D. Austin Bonderer

(57) **CLAIM**

The ornamental design for coaxial light source, as shown and described.

**DESCRIPTION**

FIG. 1 is a perspective view of a coaxial light source showing our design;

FIG. 2 is a front elevational view thereof;

FIG. 3 is a back elevational view thereof;

FIG. 4 is a left-side, elevational view thereof;

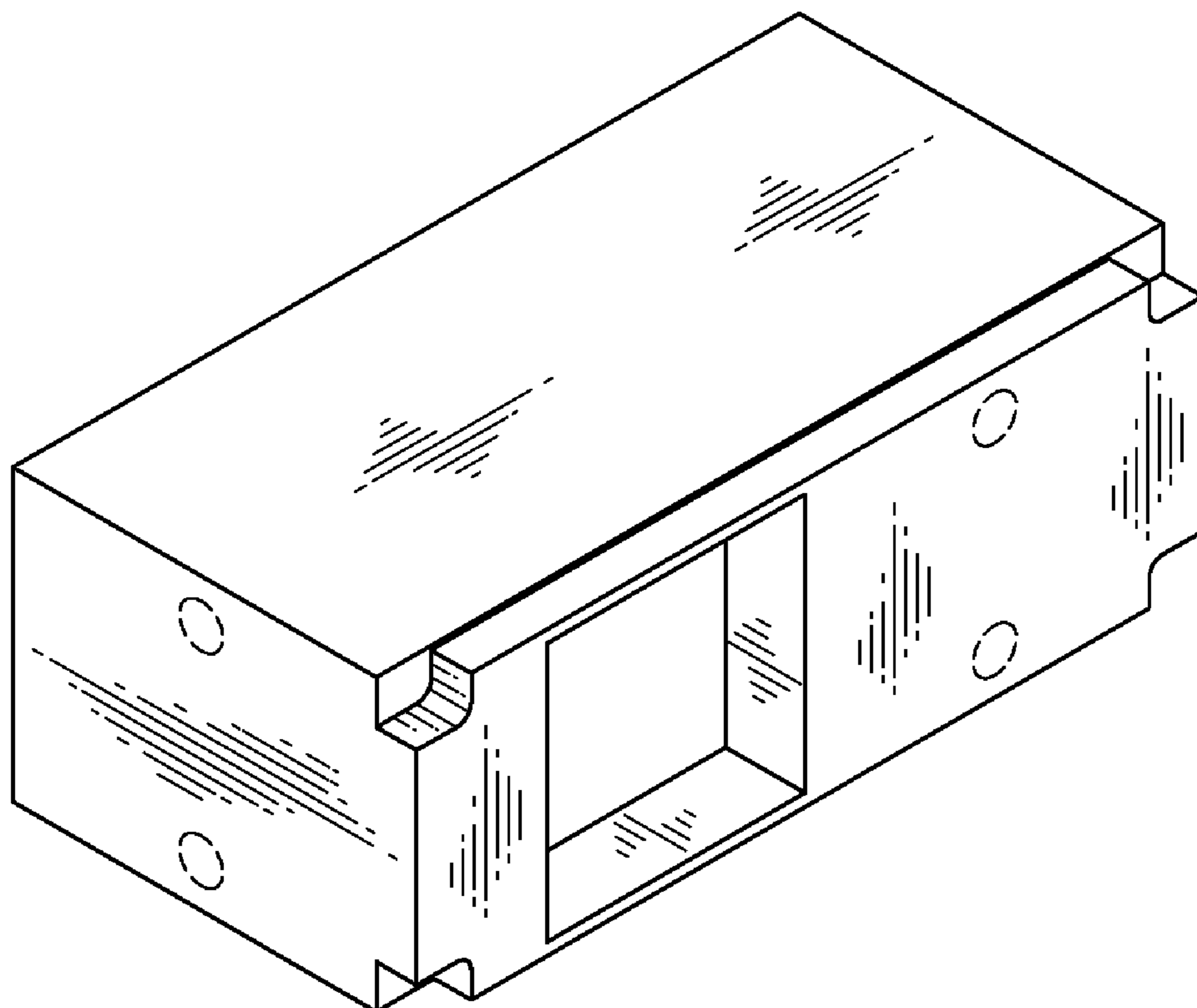
FIG. 5 is a right-side, elevational view thereof;

FIG. 6 is a top plan view thereof; and,

FIG. 7 is a bottom plan view thereof.

The broken lines are for illustrative purposes only and form no part of the claimed design.

**1 Claim, 7 Drawing Sheets**



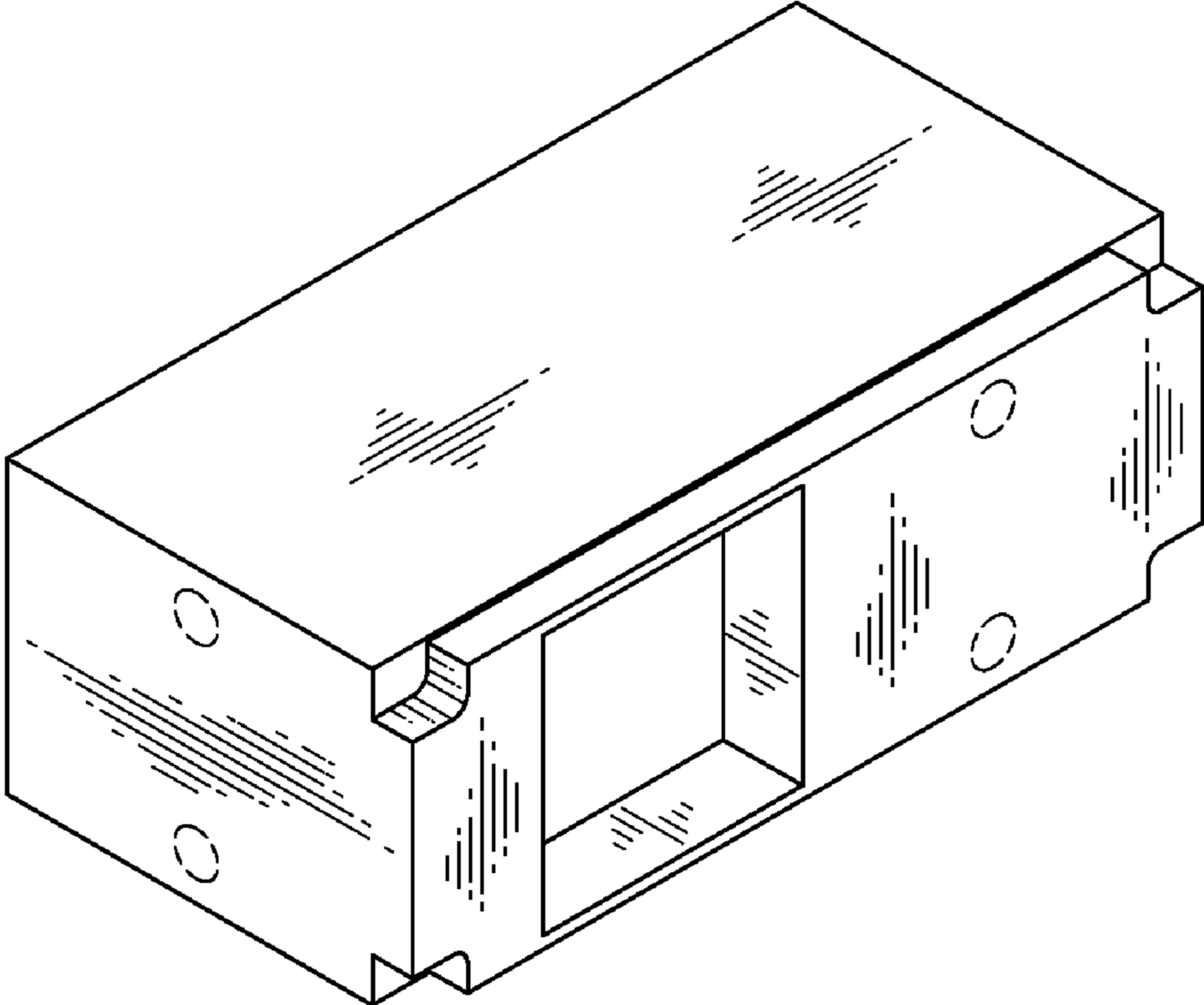


FIG. 1

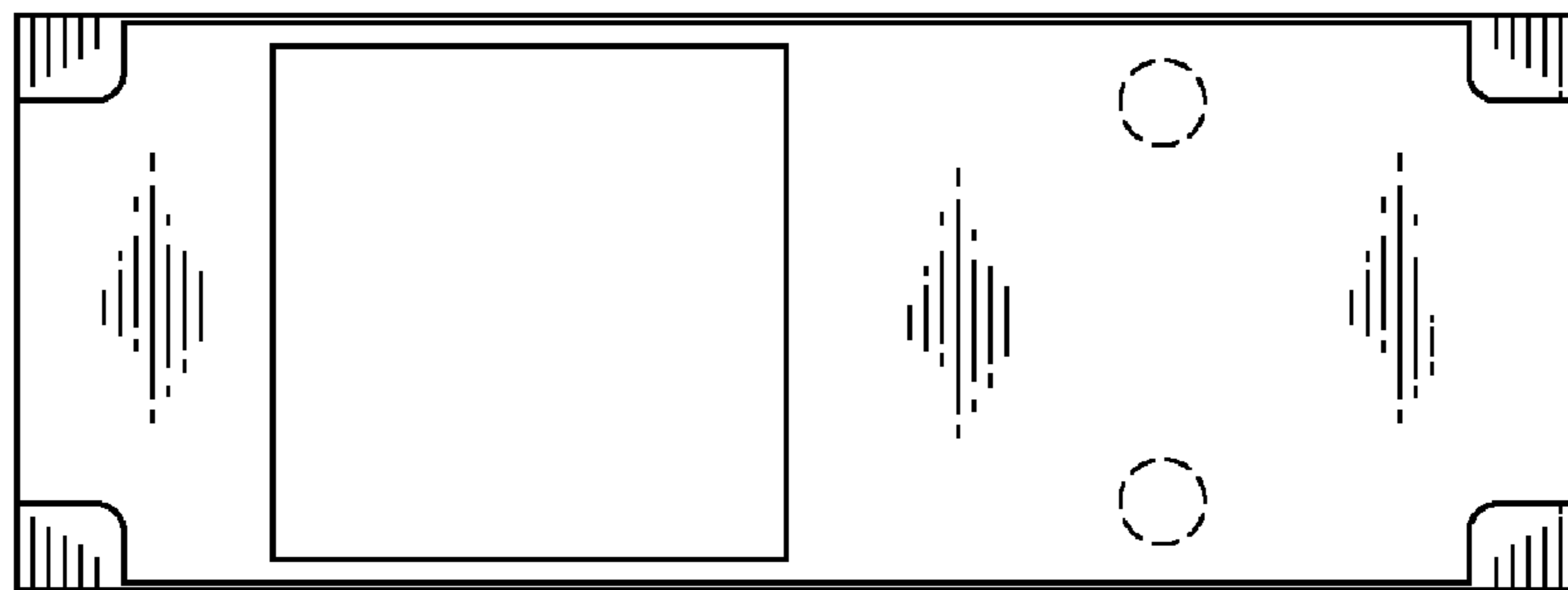


FIG. 2



FIG. 3

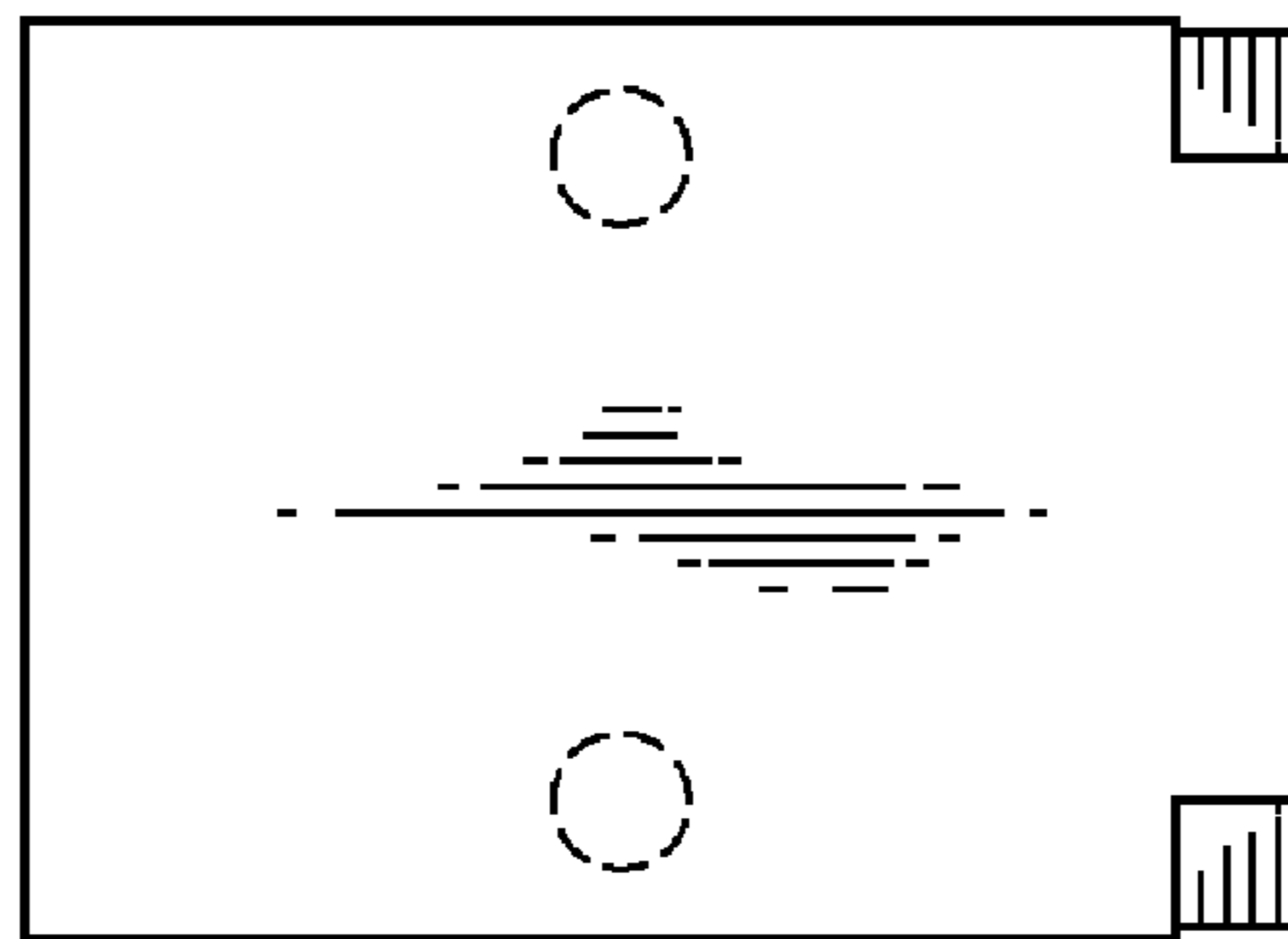


FIG. 4

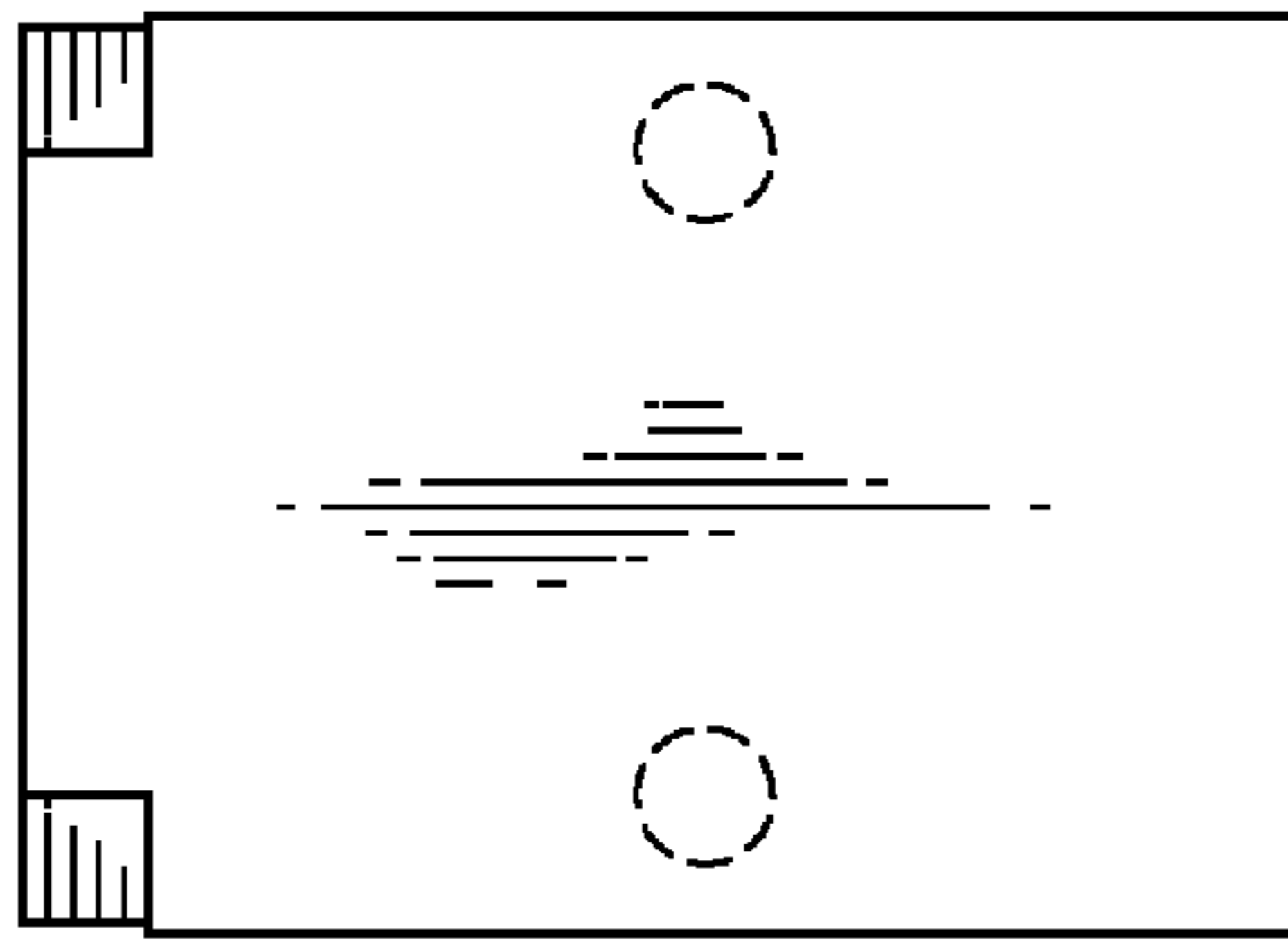


FIG. 5

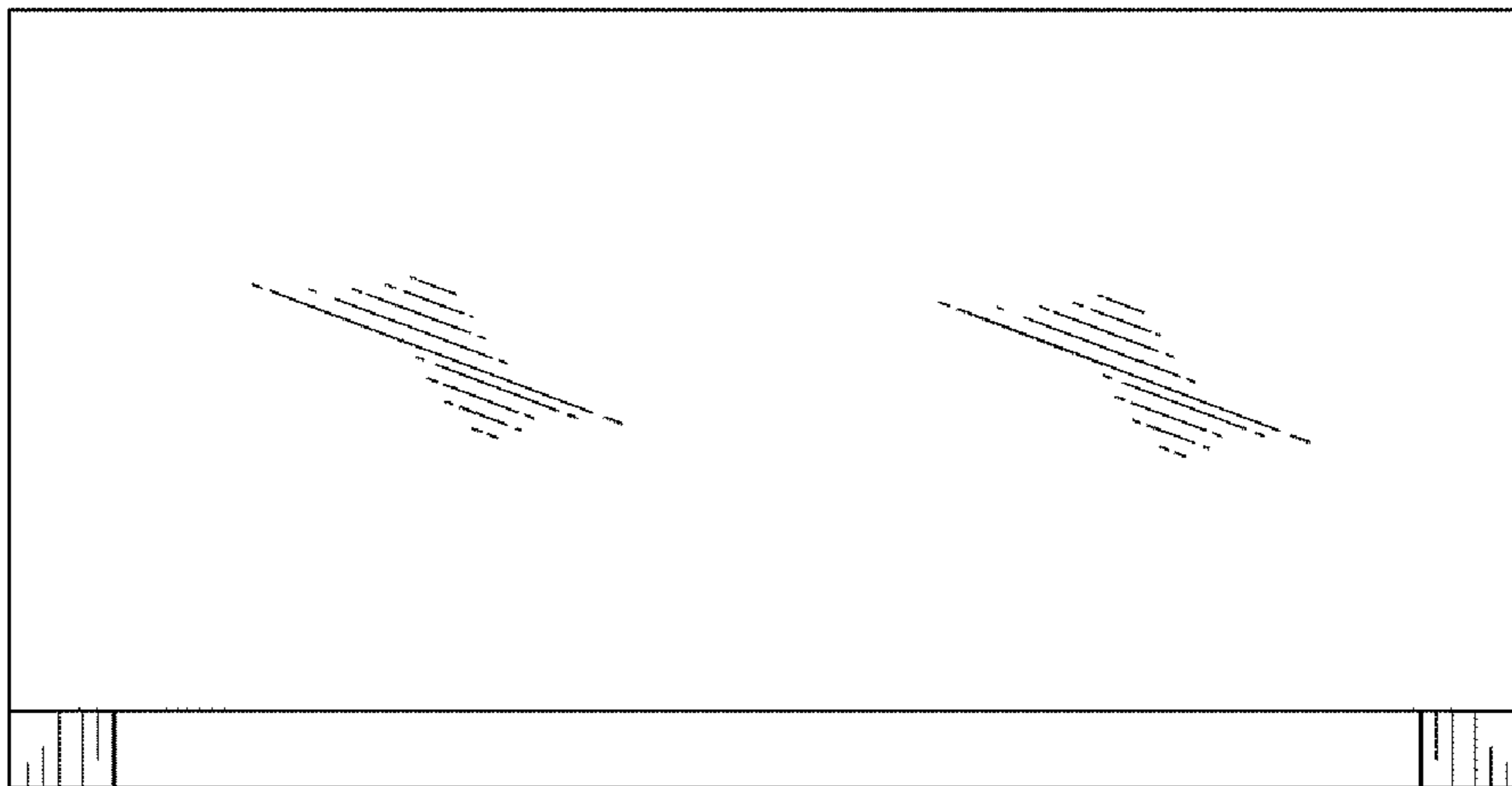


FIG. 6

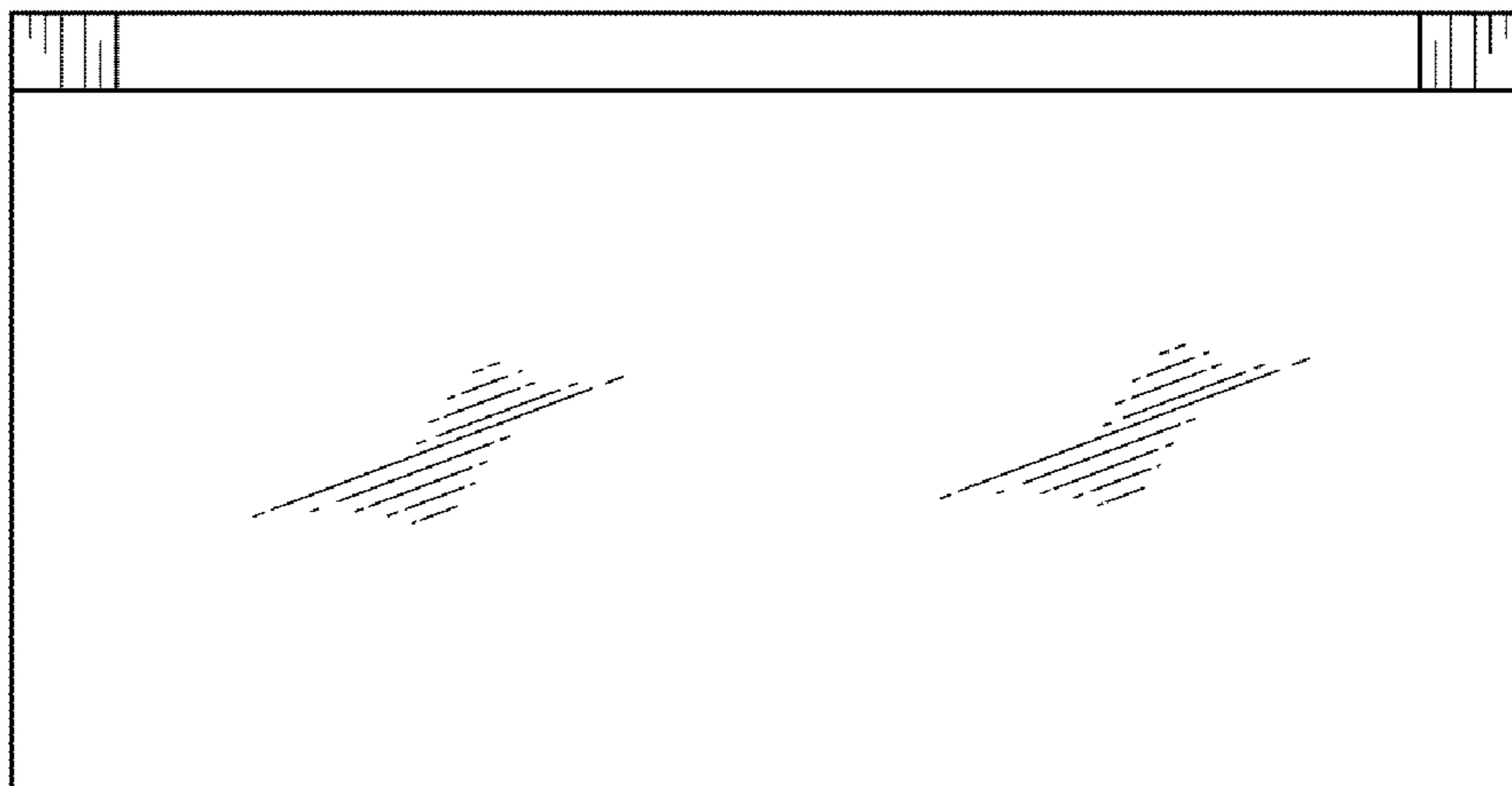


FIG. 7