



US00D610098S

(12) **United States Design Patent**
Wu et al.

(10) **Patent No.:** **US D610,098 S**
(45) **Date of Patent:** **** Feb. 16, 2010**

(54) **JOYSTICK FOR A MOTHERBOARD**

(75) Inventors: **Chao Chung Wu**, Taipei (TW); **Yen Po Yu**, Taipei (TW); **Chien Chin Wang**, Taipei (TW); **Meng Jia Guo**, Taipei (TW); **Chien Shien Lin**, Taipei (TW); **Yu Chen Lee**, Taipei (TW)

(73) Assignee: **Asustek Computer Inc.**, Taipei (TW)

(**) Term: **14 Years**

(21) Appl. No.: **29/323,180**

(22) Filed: **Aug. 20, 2008**

(30) **Foreign Application Priority Data**

May 30, 2008 (TW) 97303148

(51) **LOC (9) Cl.** **13-03**

(52) **U.S. Cl.** **D13/174; D13/169**

(58) **Field of Classification Search** D13/158,
D13/171, 173, 174, 184, 199; D14/412,
D14/413; 200/5 R, 5 A, 5 B, 6 R, 302.3,
200/329

See application file for complete search history.

(56) **References Cited**

U.S. PATENT DOCUMENTS

- 3,614,362 A * 10/1971 Keranen 200/315
- 4,459,440 A * 7/1984 Wiczer 200/6 A
- D280,719 S * 9/1985 Ohashi D13/169
- D299,642 S * 1/1989 Kamisada D13/169
- 4,997,996 A * 3/1991 Ohashi 174/260
- 6,791,047 B1 * 9/2004 Skarlupka et al. 200/335
- D524,812 S * 7/2006 Hussaini et al. D14/413
- 2006/0163437 A1 * 7/2006 Lin 248/291.1

FOREIGN PATENT DOCUMENTS

JP D1123153 S 8/2001

OTHER PUBLICATIONS

English language translation of abstract of JP D1123153.

* cited by examiner

Primary Examiner—Daniel D Bui

Assistant Examiner—Thomas J Johannes

(74) *Attorney, Agent, or Firm*—Thomas, Kayden, Horstemeyer & Risley

(57) **CLAIM**

The ornamental design for a joystick for a motherboard, as shown and described.

DESCRIPTION

FIG. 1 is a front perspective view of a joystick for a motherboard showing our new design;

FIG. 2 is a front elevational view thereof;

FIG. 3 is a right elevational view thereof;

FIG. 4 is a top plan view thereof;

FIG. 5 is a bottom plan view thereof;

FIG. 6 is a sectional view thereof taken along line 6—6 in FIG. 4;

FIG. 7 is another sectional view thereof taken along line 7—7 in FIG. 4;

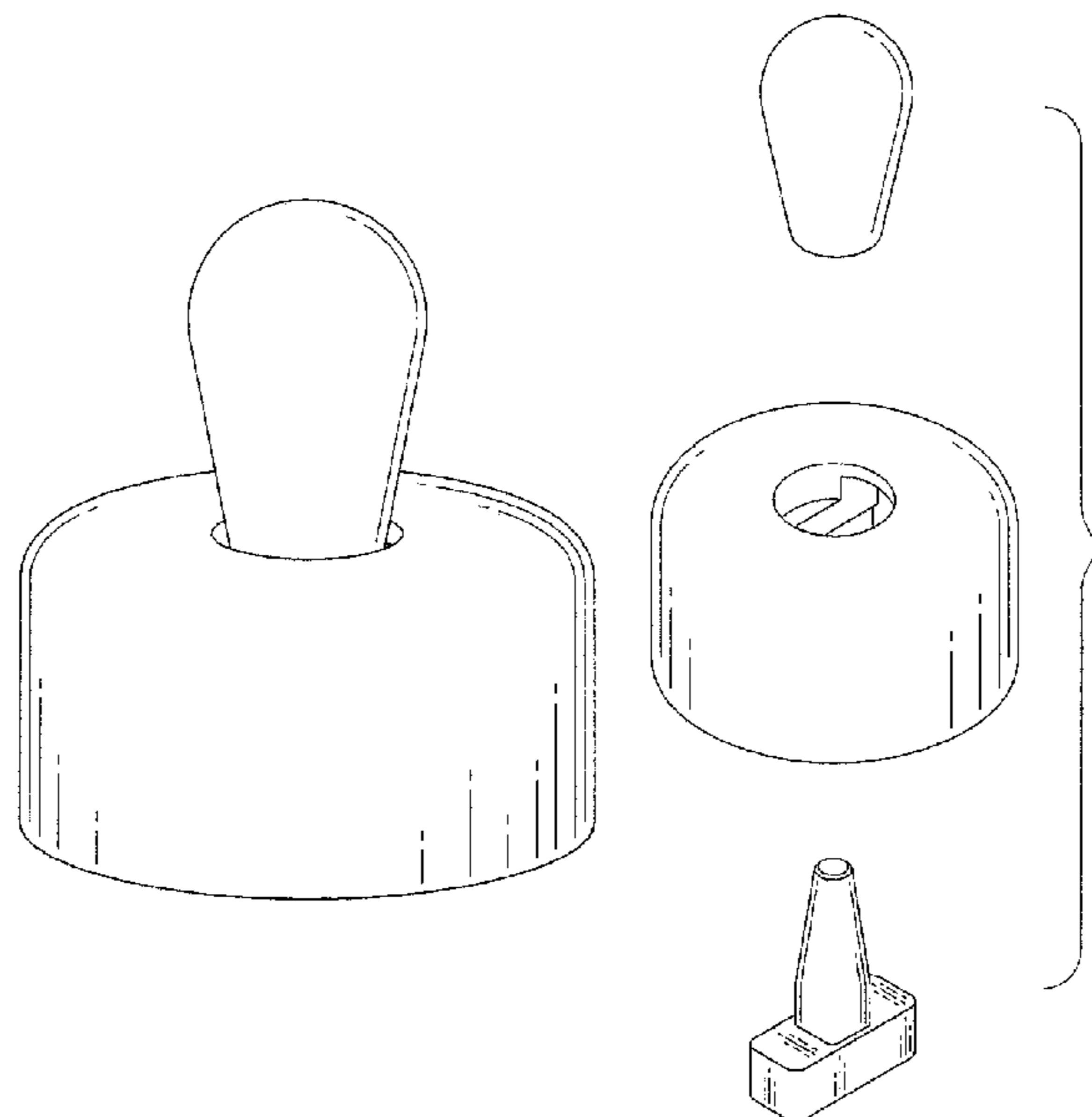
FIG. 8 is a rear perspective view thereof;

FIG. 9 is exploded view thereof; and,

FIG. 10 is a front perspective thereof in a typical motherboard usage environment.

The broken-line showing of the motherboard in FIG. 10 shows unclaimed environmental detail only and forms no part of the claimed design.

1 Claim, 10 Drawing Sheets



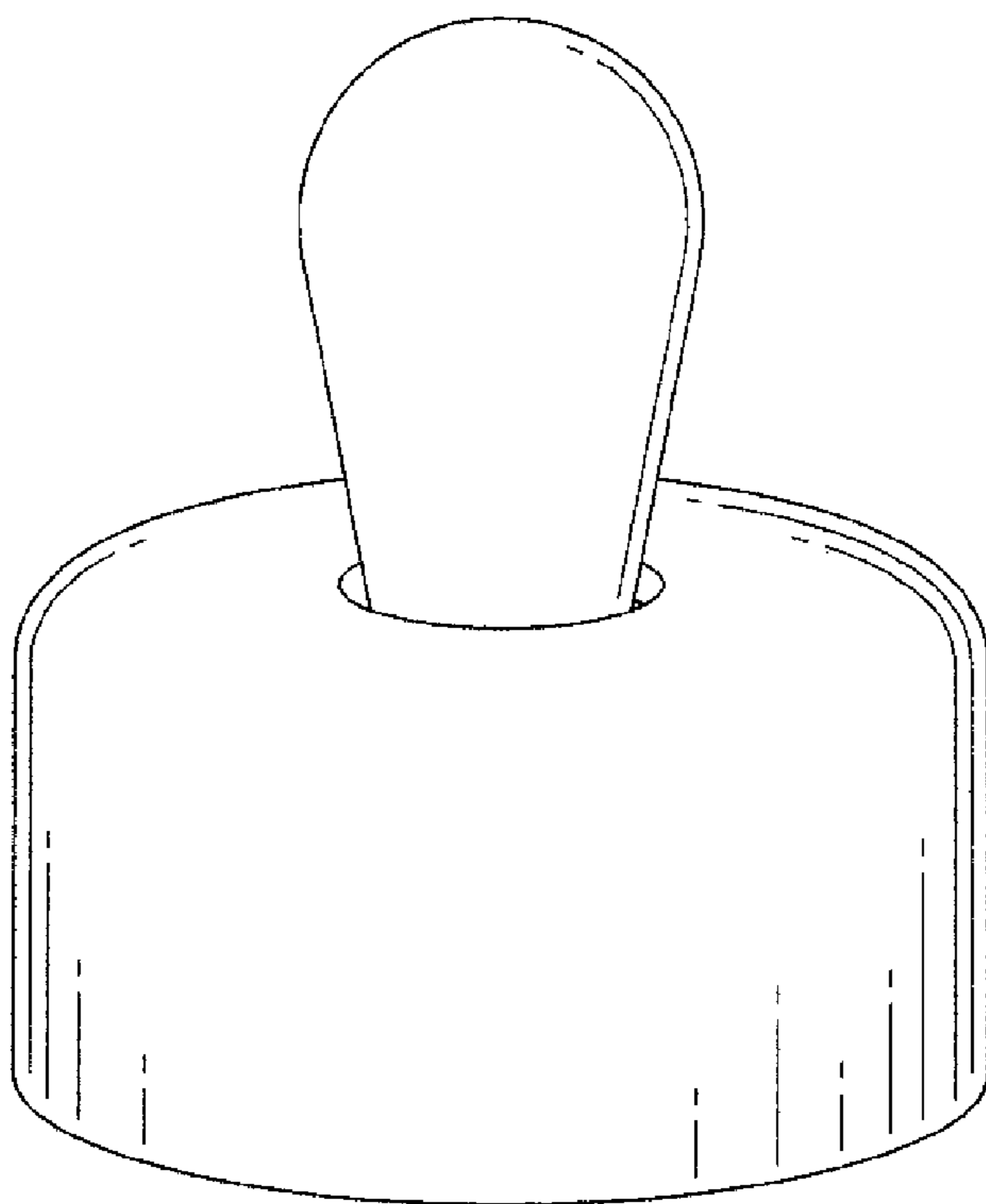


Fig. 1

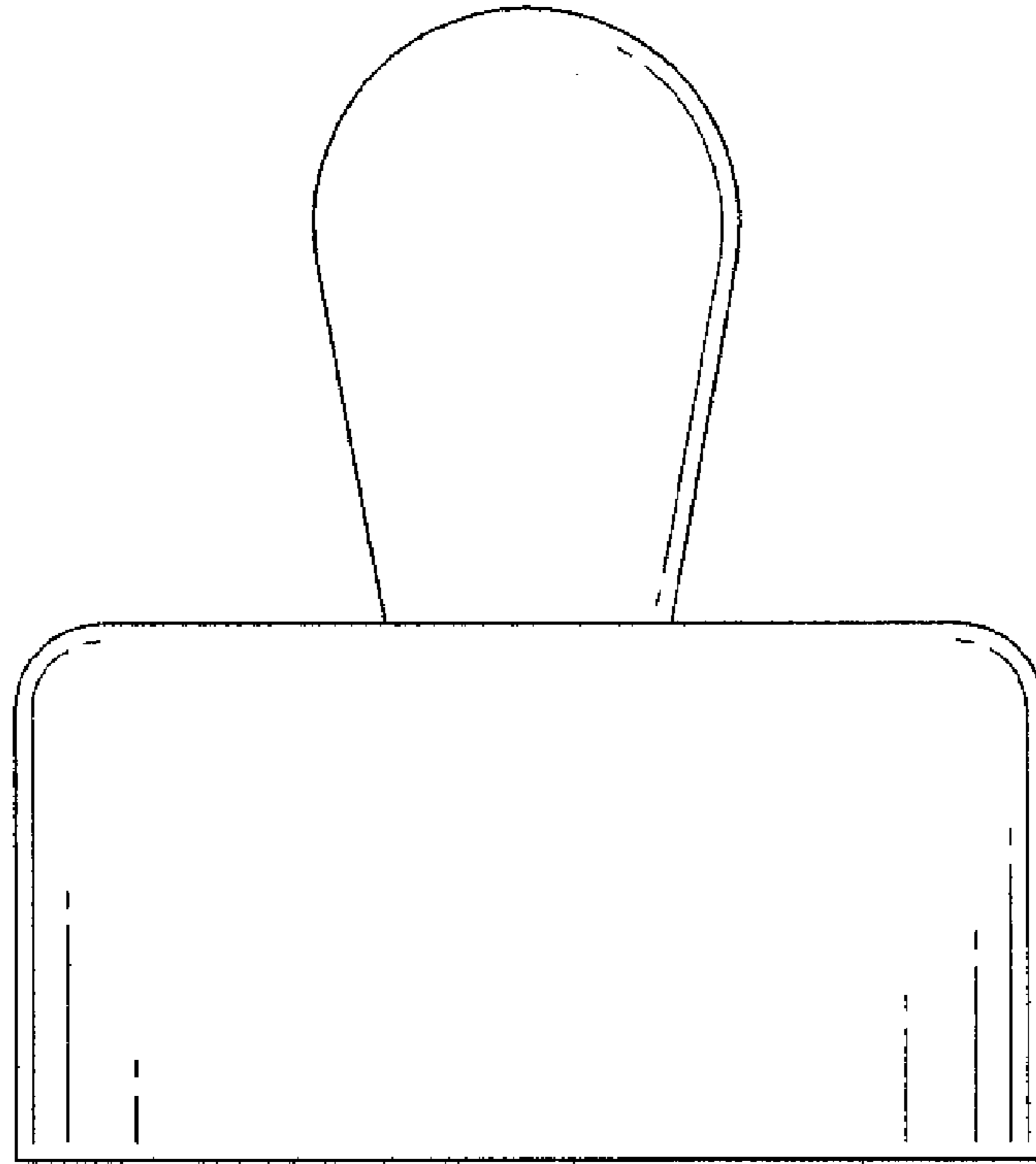


Fig. 2

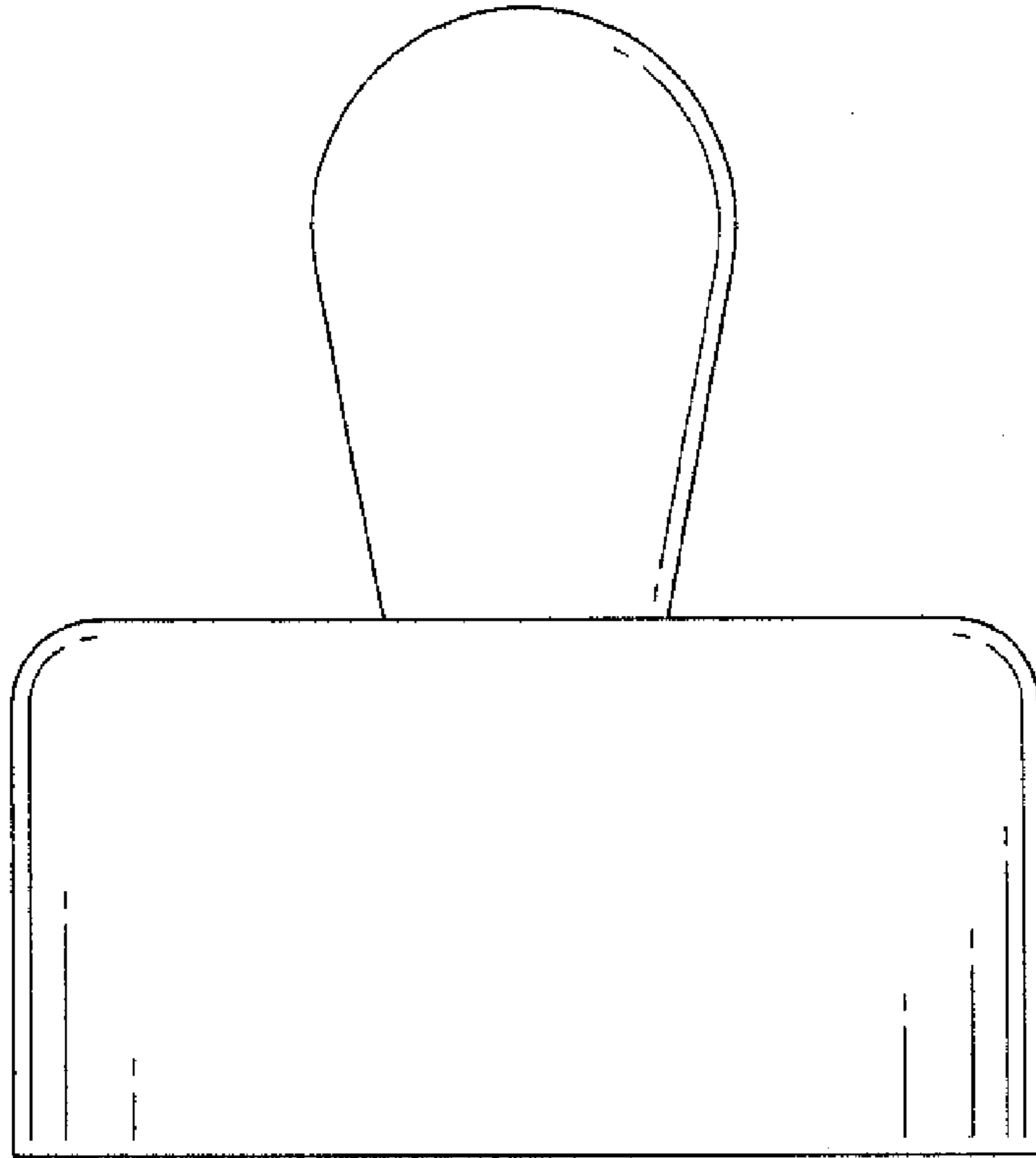


Fig. 3

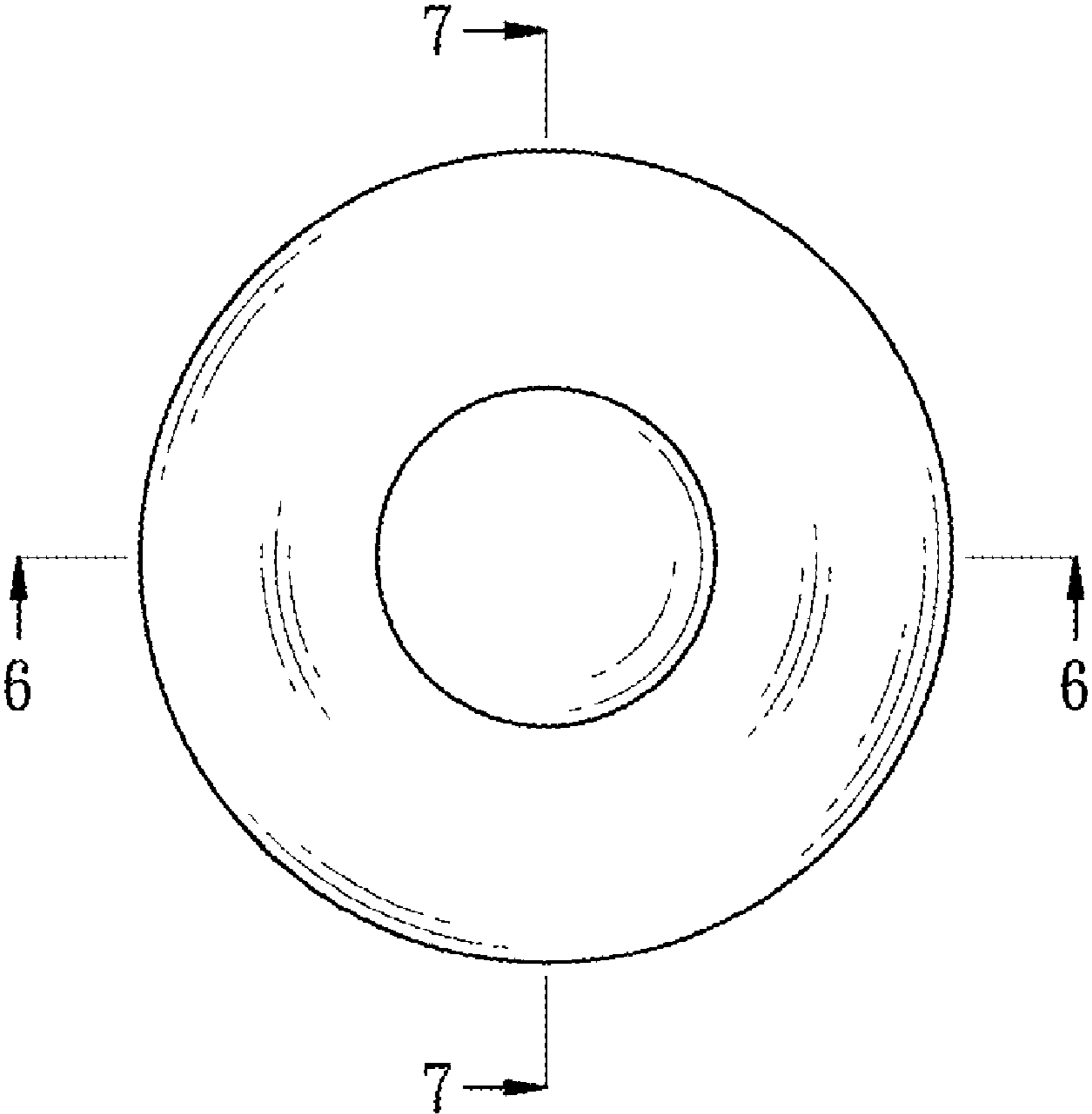


Fig. 4

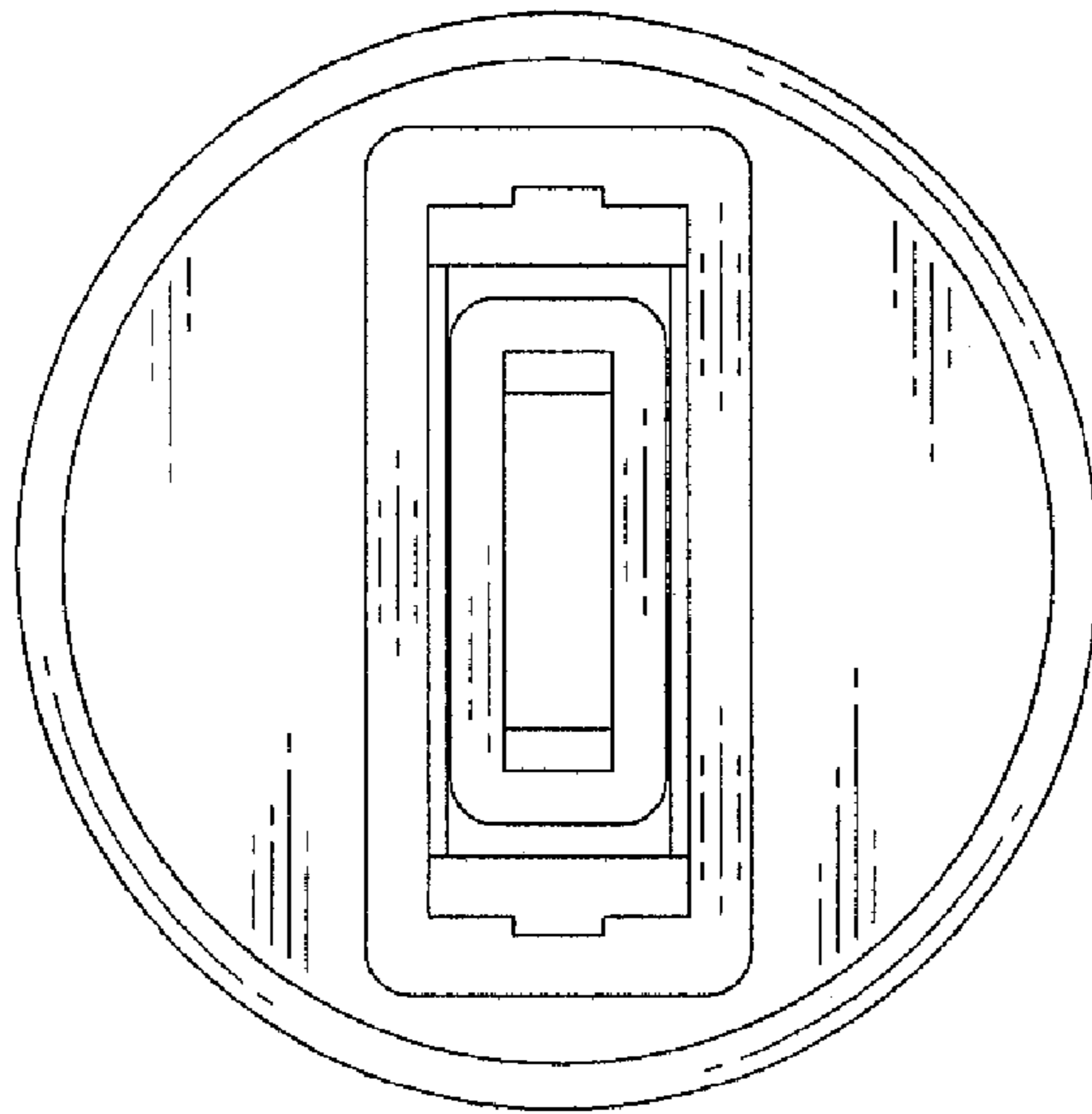


Fig. 5

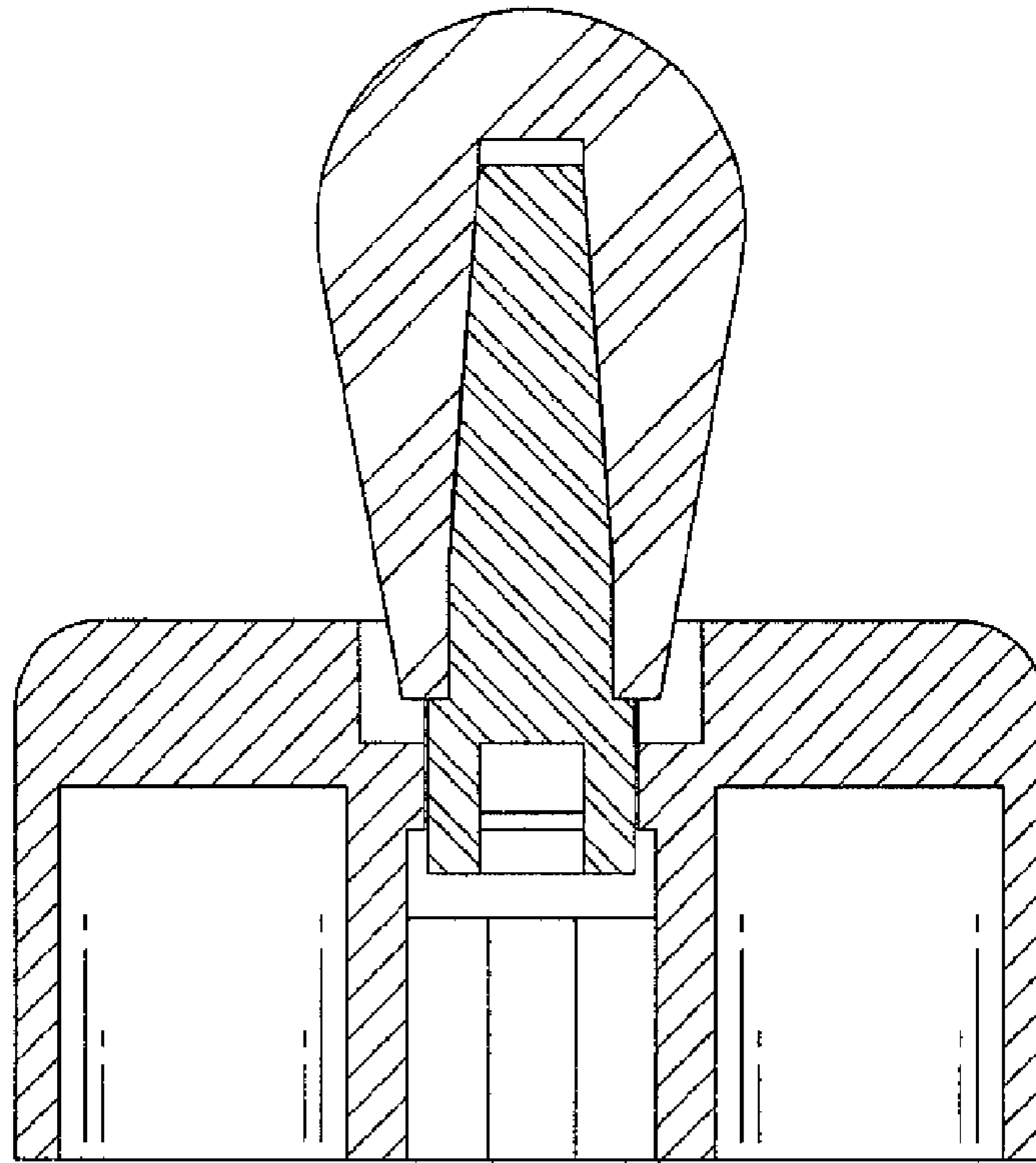


Fig. 6

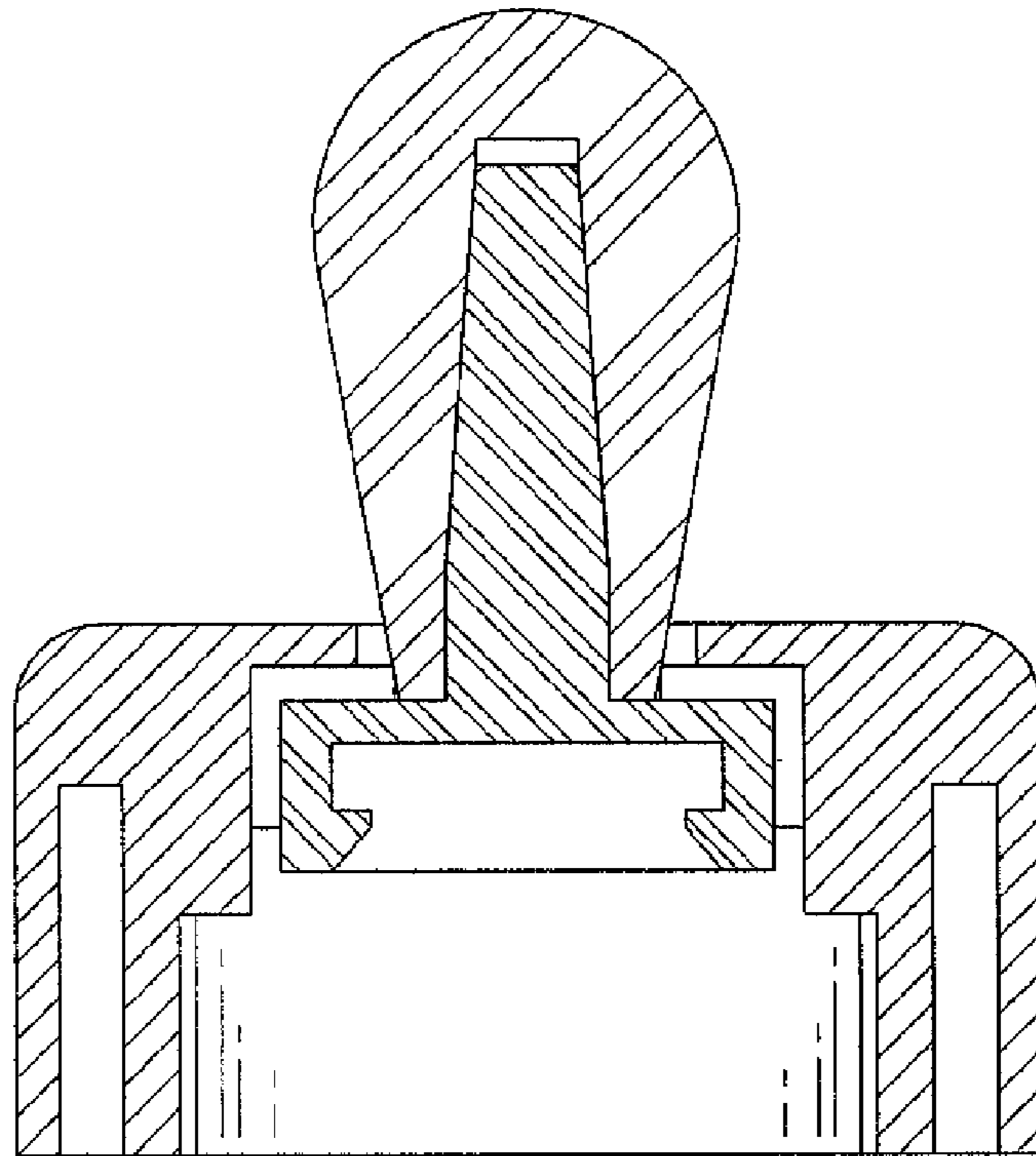


Fig. 7

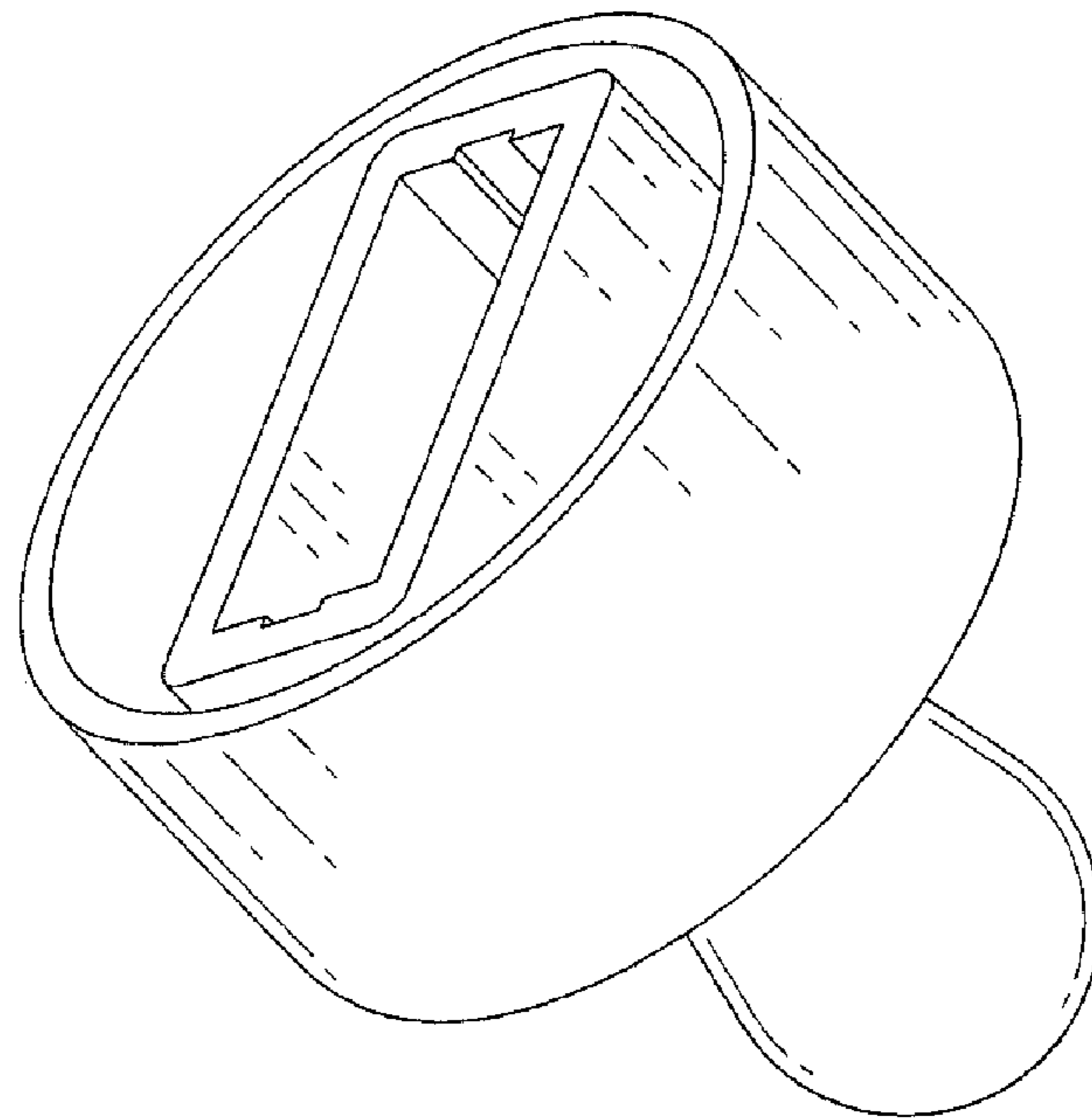


Fig. 8

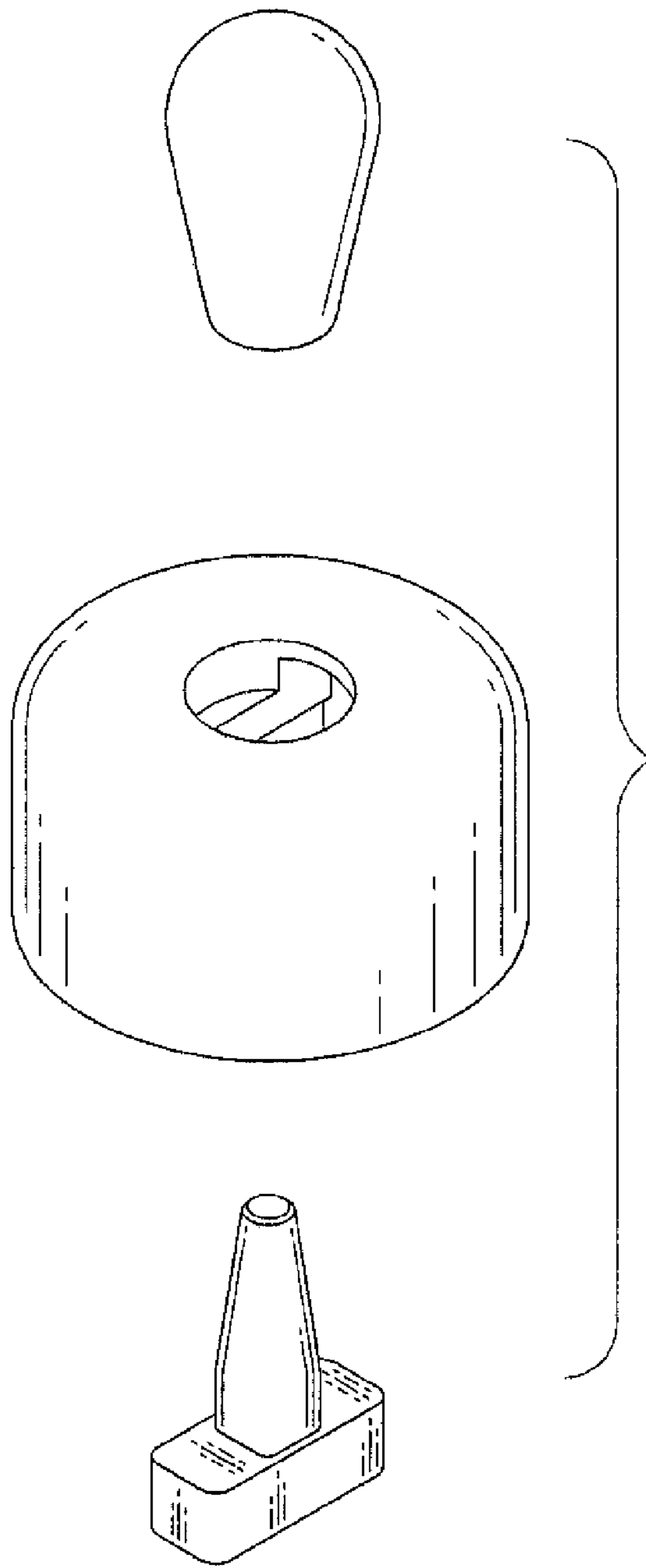


Fig. 9

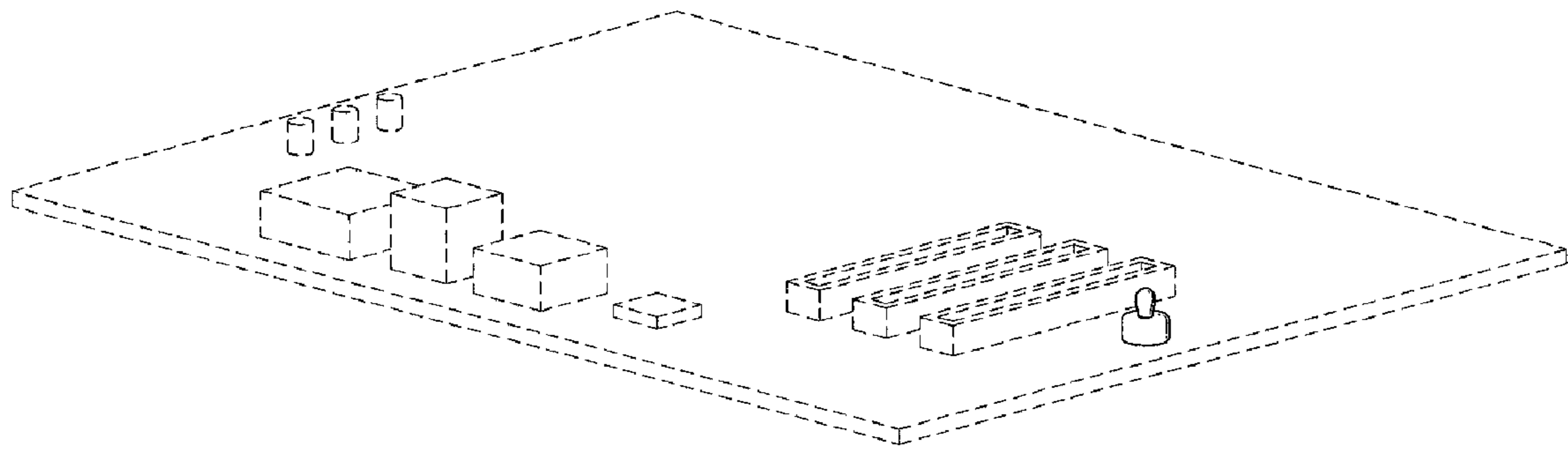


Fig. 10