



US00D610097S

(12) **United States Design Patent**
Gandini

(10) **Patent No.:** **US D610,097 S**
(45) **Date of Patent:** **** Feb. 16, 2010**

(54) **SWITCH BOX**

(75) Inventor: **Piero Gandini**, Bovezzo (IT)

(73) Assignee: **FLOS S.p.A.**, Bovezzo, Brescia (IT)

(**) Term: **14 Years**

(21) Appl. No.: **29/329,679**

(22) Filed: **Dec. 19, 2008**

(30) **Foreign Application Priority Data**

Oct. 14, 2008 (WO) DM/070 881

(51) **LOC (9) Cl.** **13-03**

(52) **U.S. Cl.** **D13/171**

(58) **Field of Classification Search** D13/158,
D13/162, 171, 184, 199; D14/240; 174/502,
174/50; 220/3.2, 3.3, 3.9, 810; 361/641
See application file for complete search history.

(56) **References Cited**

U.S. PATENT DOCUMENTS

D220,696 S * 5/1971 Lazzo D13/162
D315,144 S * 3/1991 Dard et al. D13/162
D376,350 S * 12/1996 Worley et al. D13/184
D386,150 S * 11/1997 Zinnert D13/177
6,166,909 A * 12/2000 Sumida 361/704

6,476,334 B1 * 11/2002 Wu 200/18
6,496,378 B2 * 12/2002 Holce et al. 361/752
D556,148 S * 11/2007 Champness D13/158

* cited by examiner

Primary Examiner—Selina Sikder

(74) *Attorney, Agent, or Firm*—Kilyk & Bowersox, P.L.L.C.

(57) **CLAIM**

The ornamental design for a switch box, as shown and described.

DESCRIPTION

FIG. 1 is a top perspective view of a switch box, showing my new design;

FIG. 2 is a top view thereof;

FIG. 3 is the first side view thereof;

FIG. 4 is the second side view thereof;

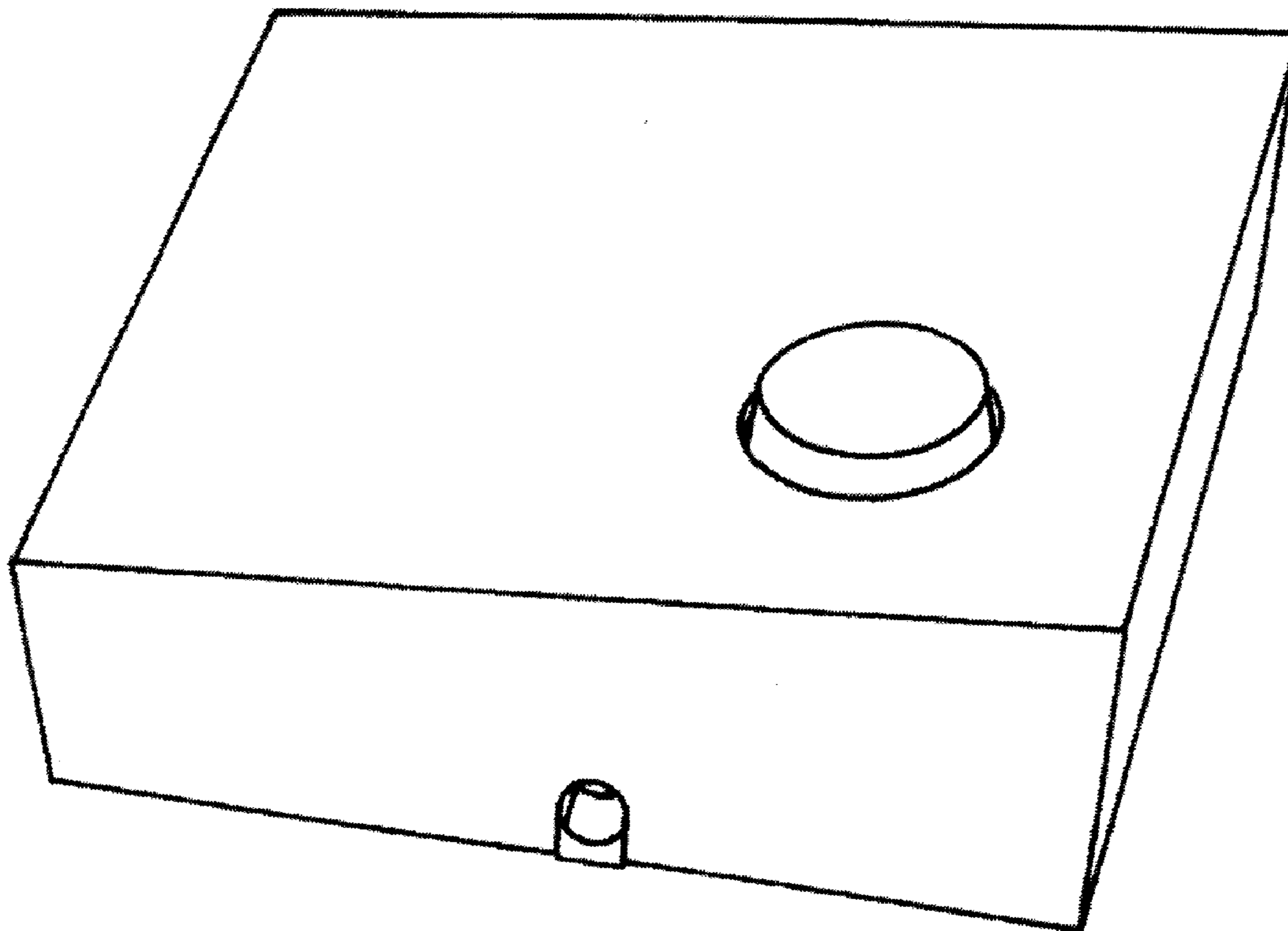
FIG. 5 is the third side view thereof;

FIG. 6 is the fourth side view thereof; and,

FIG. 7 is the bottom view thereof.

The broken lines shown on the switch box are included for the purpose of illustrating a portion of the switch box that forms no part of the claimed design.

1 Claim, 7 Drawing Sheets



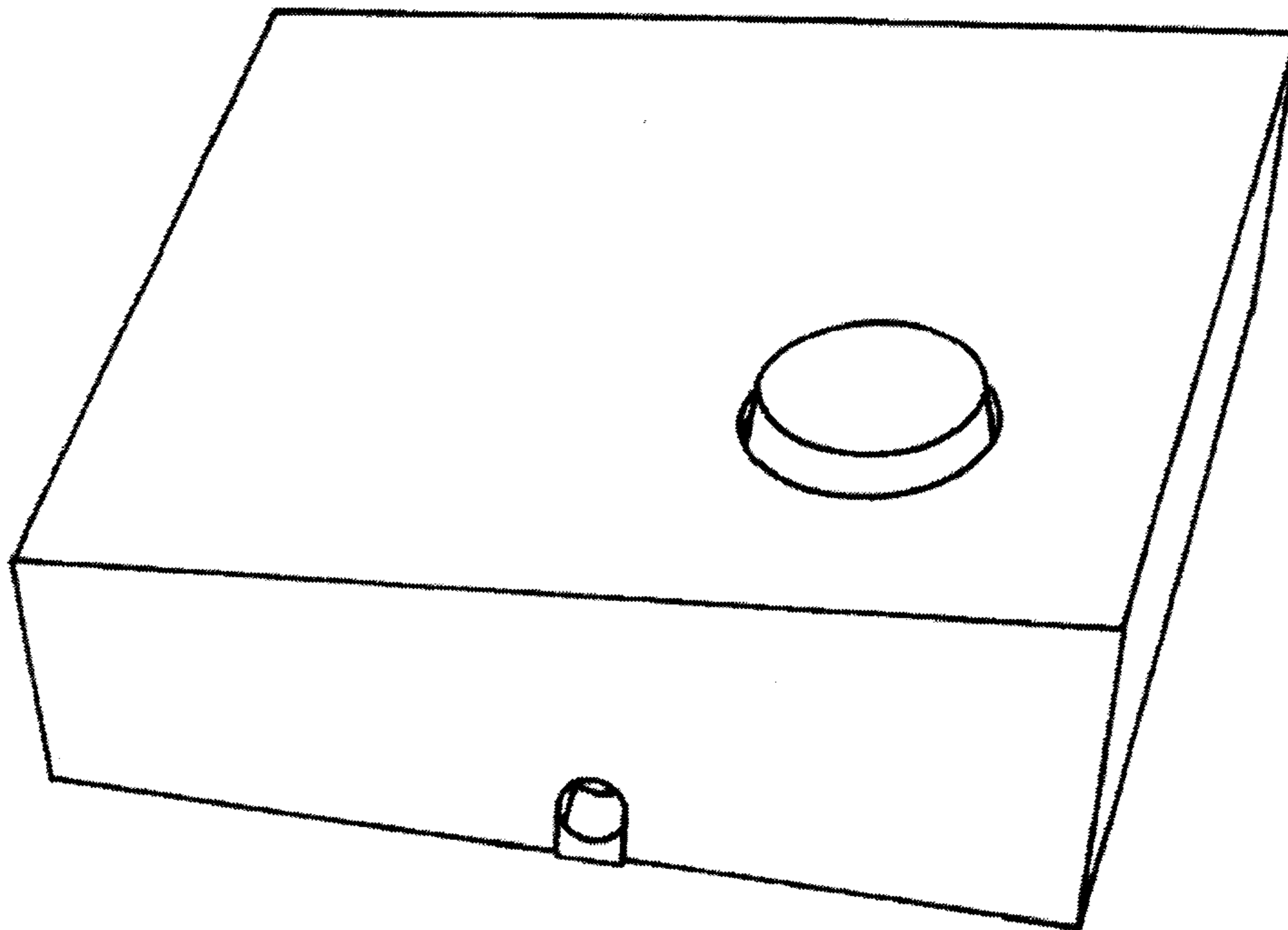


FIG. 1

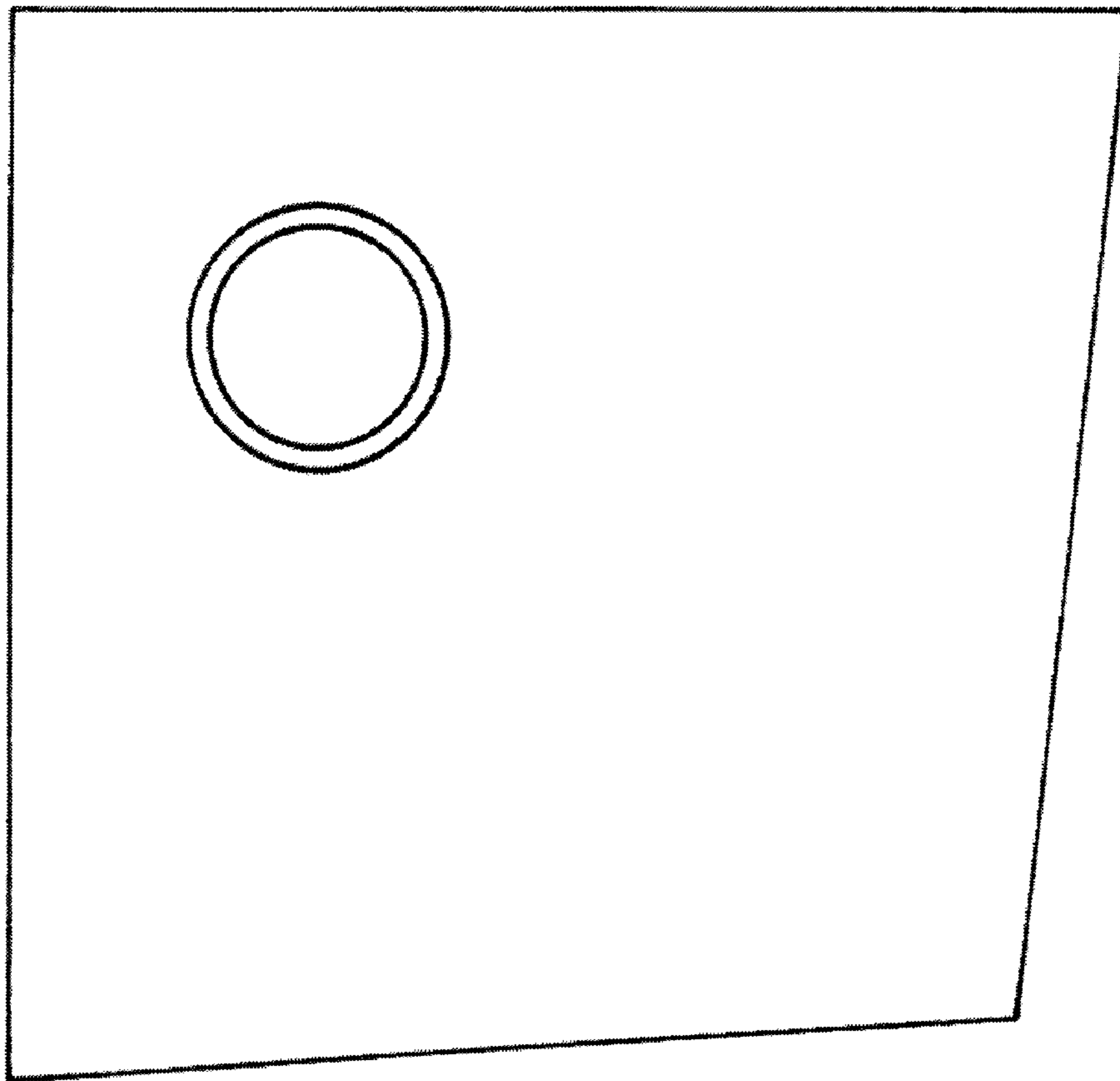


FIG. 2

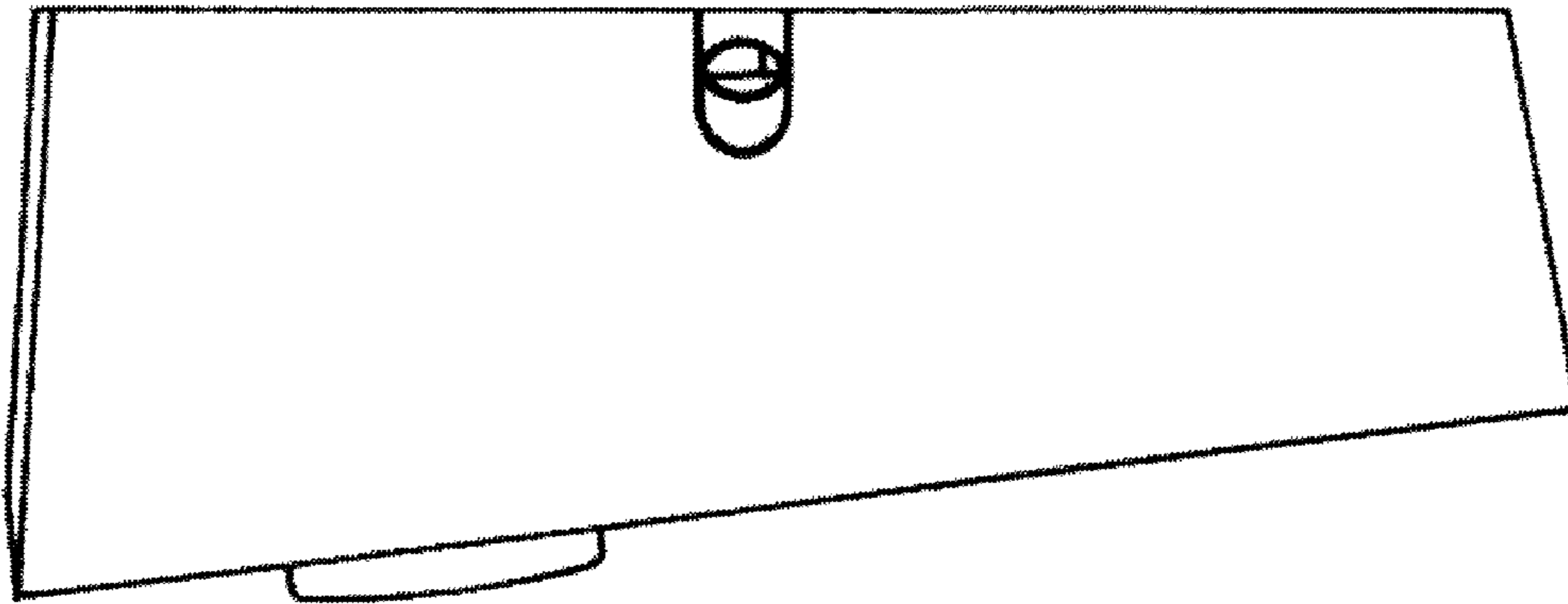


FIG. 3

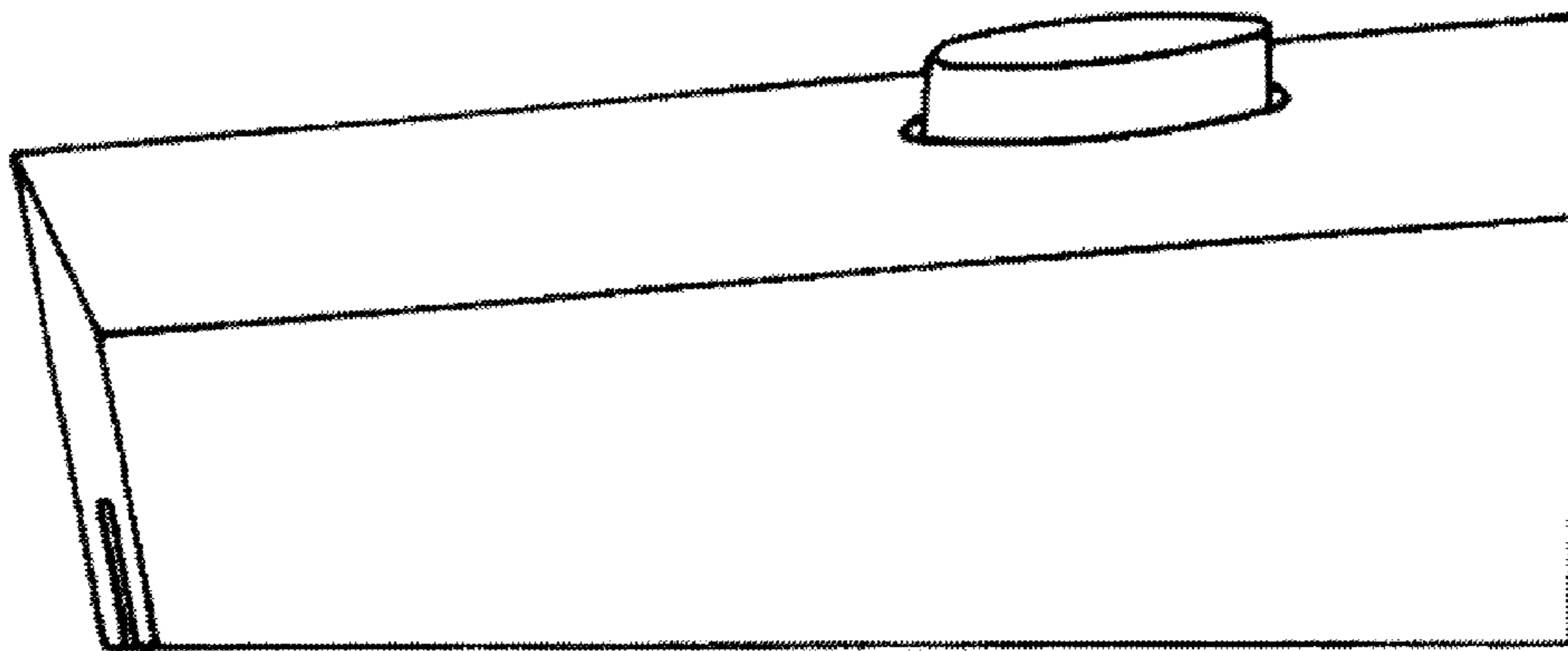


FIG. 4

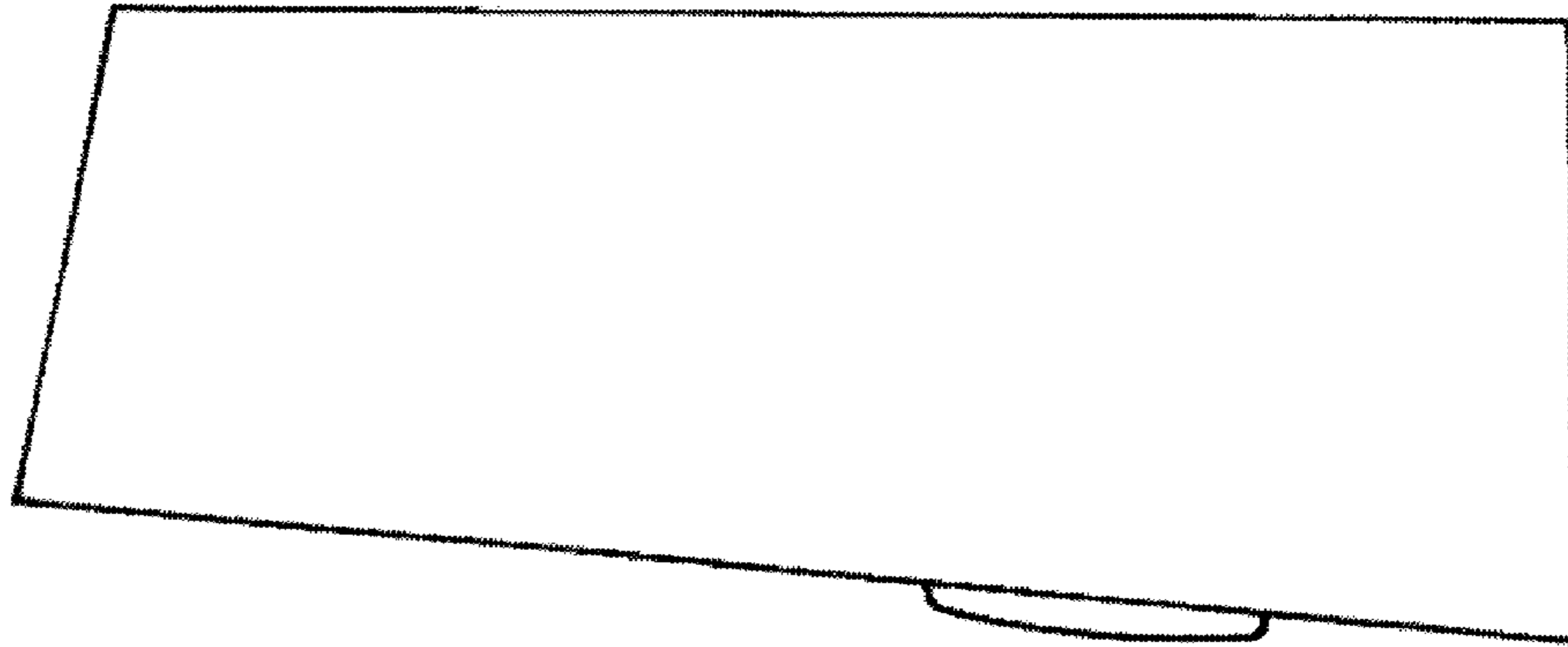


FIG. 5

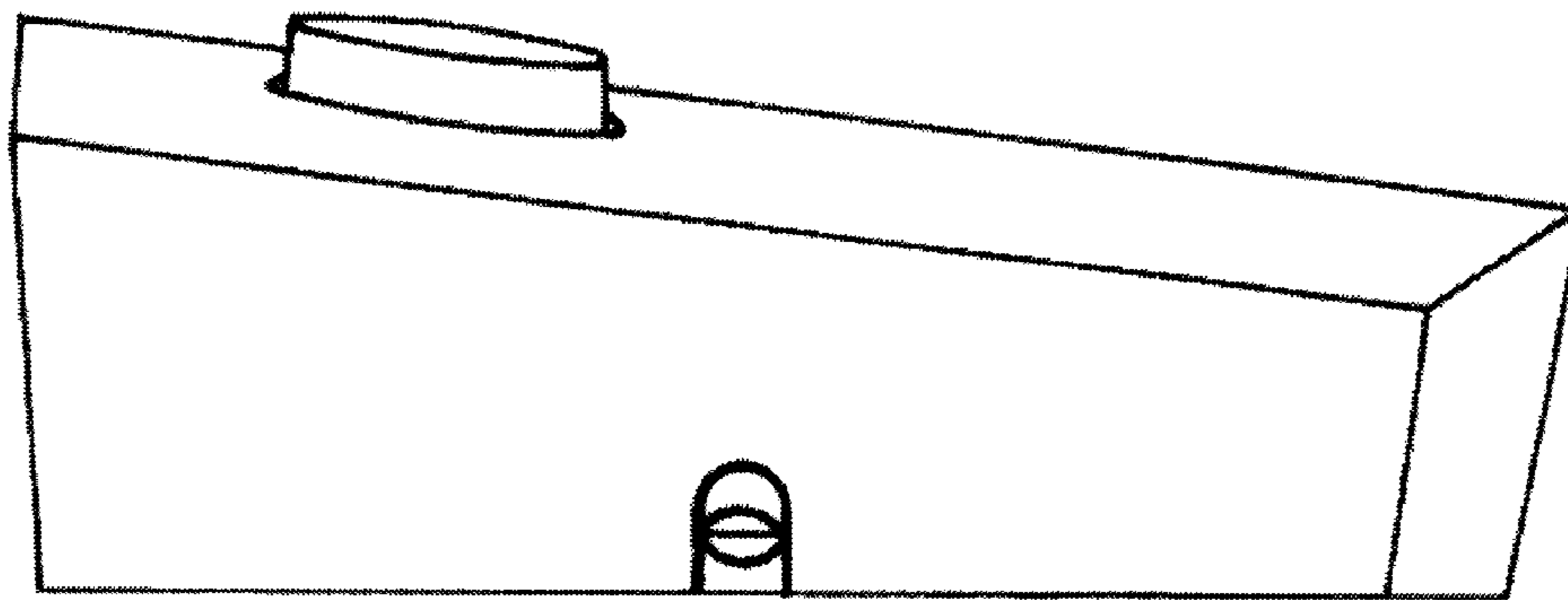


FIG. 6

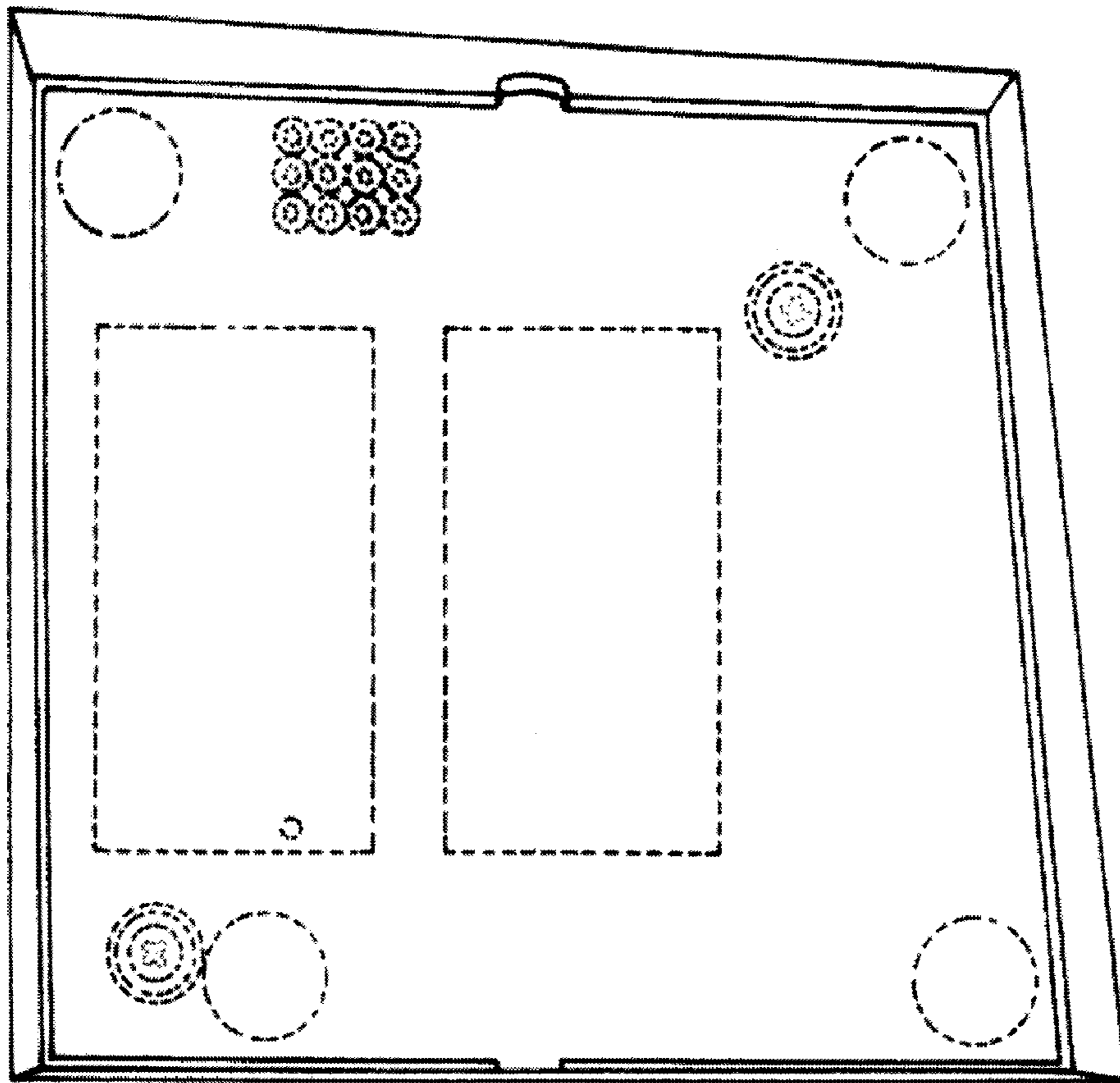


FIG. 7