



US00D610095S

(12) **United States Design Patent**  
**Wu et al.**

(10) **Patent No.:** **US D610,095 S**

(45) **Date of Patent:** **\*\* Feb. 16, 2010**

(54) **CABLE CONNECTOR ASSEMBLY**

(75) Inventors: **Xiao-Gang Wu**, KunShan (CN);  
**Ping-Sheng Su**, Tu-Cheng (TW)

(73) Assignee: **Hon Hai Precision Ind. Co., Ltd.**,  
Taipei Hsien (TW)

(\*\*) Term: **14 Years**

(21) Appl. No.: **29/313,721**

(22) Filed: **Feb. 3, 2009**

(30) **Foreign Application Priority Data**

Aug. 4, 2008 (CN) ..... 2008 3 0301130

(51) **LOC (9) Cl.** ..... **13-03**

(52) **U.S. Cl.** ..... **D13/147**

(58) **Field of Classification Search** ..... D13/133,  
D13/146-147, 153, 154, 184; D21/324,  
D21/333, 385; 439/350, 352, 358, 447, 578,  
439/584, 585, 607-610, 660, 680, 682, 686  
See application file for complete search history.

(56) **References Cited**

**U.S. PATENT DOCUMENTS**

D416,542 S \* 11/1999 Tsai ..... D13/153

D416,868 S \* 11/1999 Tsai ..... D13/153  
D442,553 S \* 5/2001 Urban et al. .... D13/153  
D585,835 S \* 2/2009 Jaqua et al. .... D13/154

\* cited by examiner

*Primary Examiner*—Daniel D Bui

(74) *Attorney, Agent, or Firm*—Wei Te Chung; Andrew C.  
Cheng; Ming Chieh Chang

(57) **CLAIM**

The ornamental design for a cable connector assembly, as  
shown.

**DESCRIPTION**

FIG. 1 is a front, top and left side perspective view of a cable  
connector assembly, showing our new design;

FIG. 2 is a front elevation view thereof;

FIG. 3 is a rear elevation view thereof;

FIG. 4 is a left side elevation view thereof;

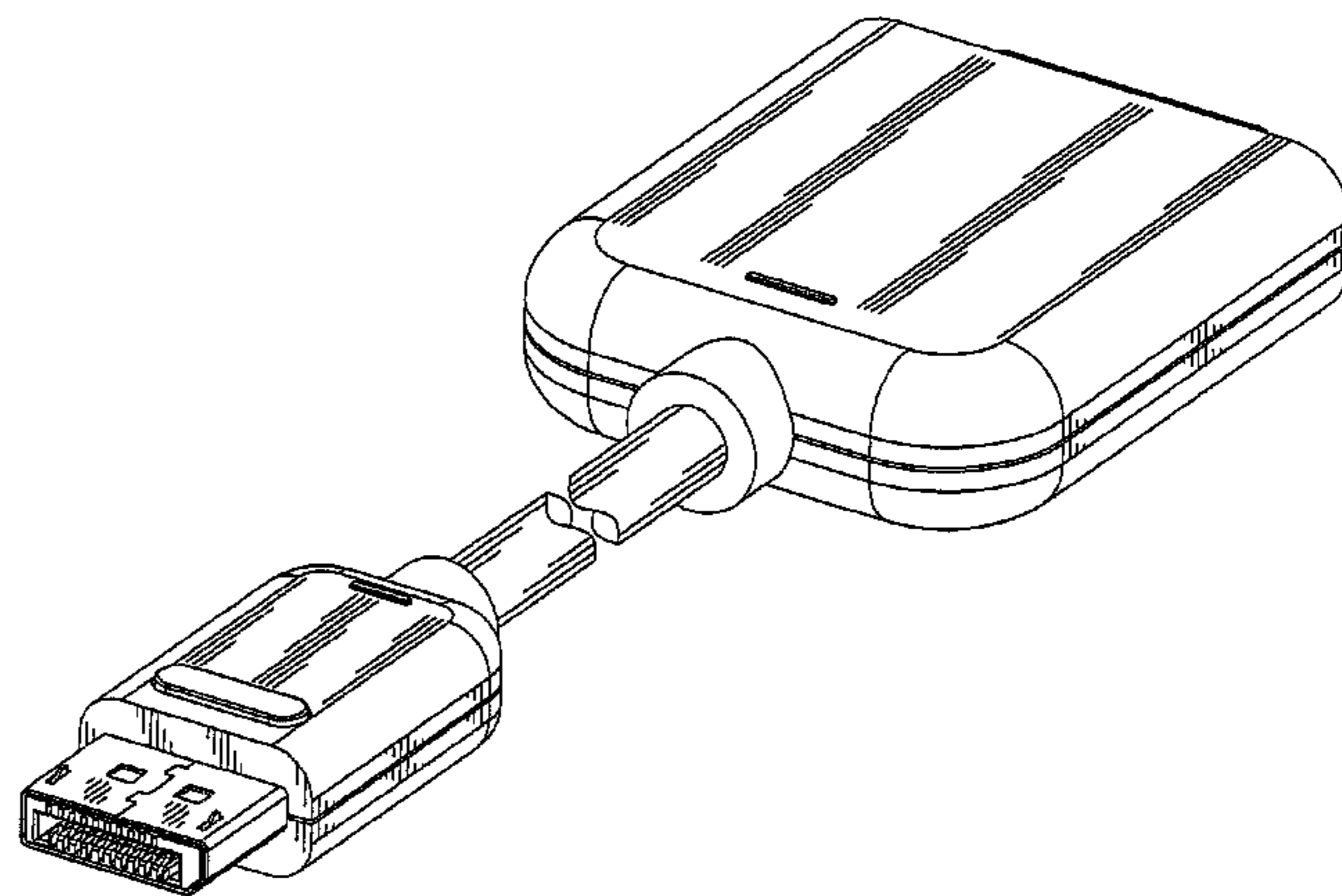
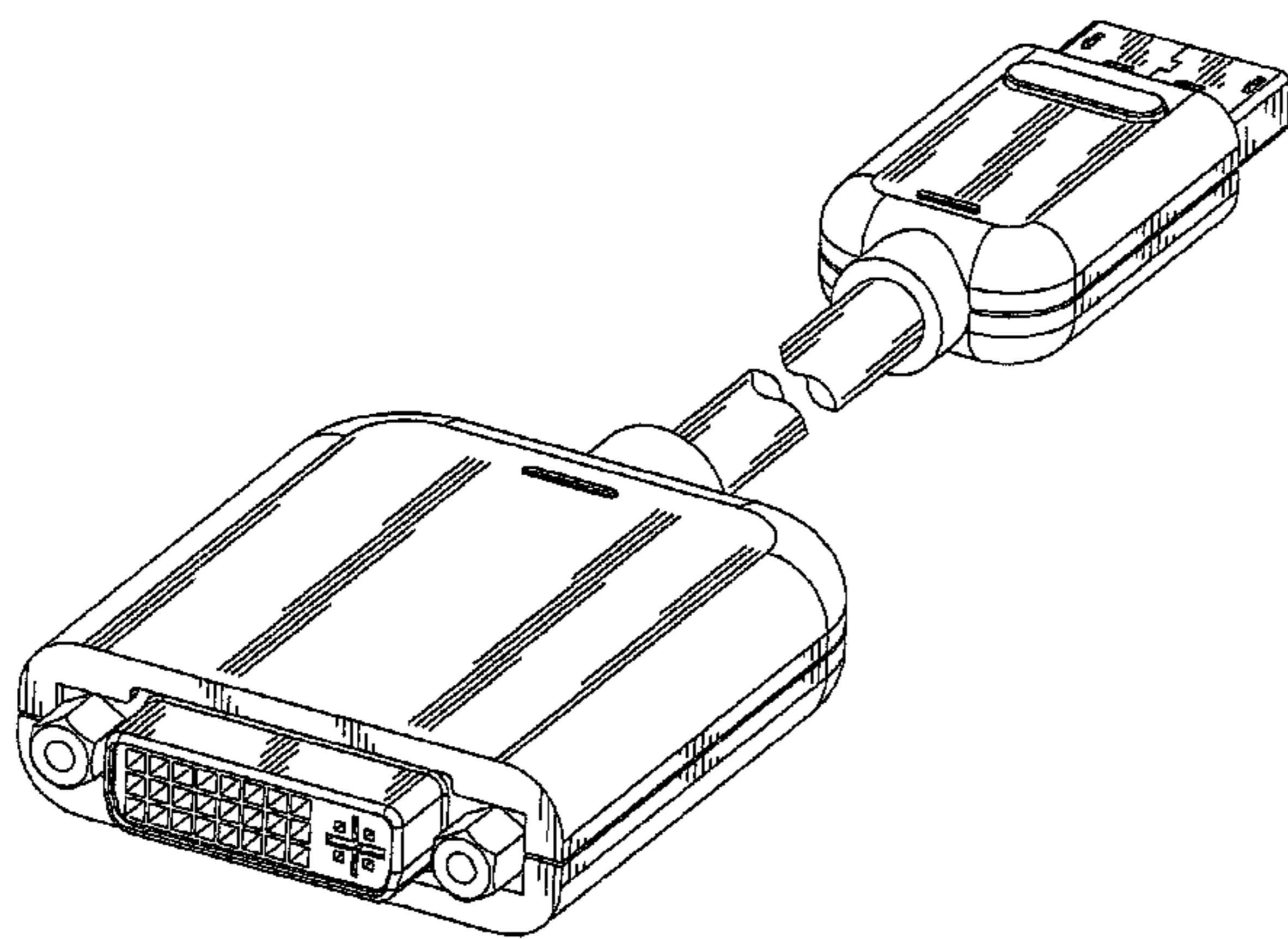
FIG. 5 is a right side elevation view thereof;

FIG. 6 is a top plan view thereof;

FIG. 7 is a bottom plan view thereof; and,

FIG. 8 is a rear, top and right side perspective view of a cable  
connector assembly, showing our new design.

**1 Claim, 8 Drawing Sheets**



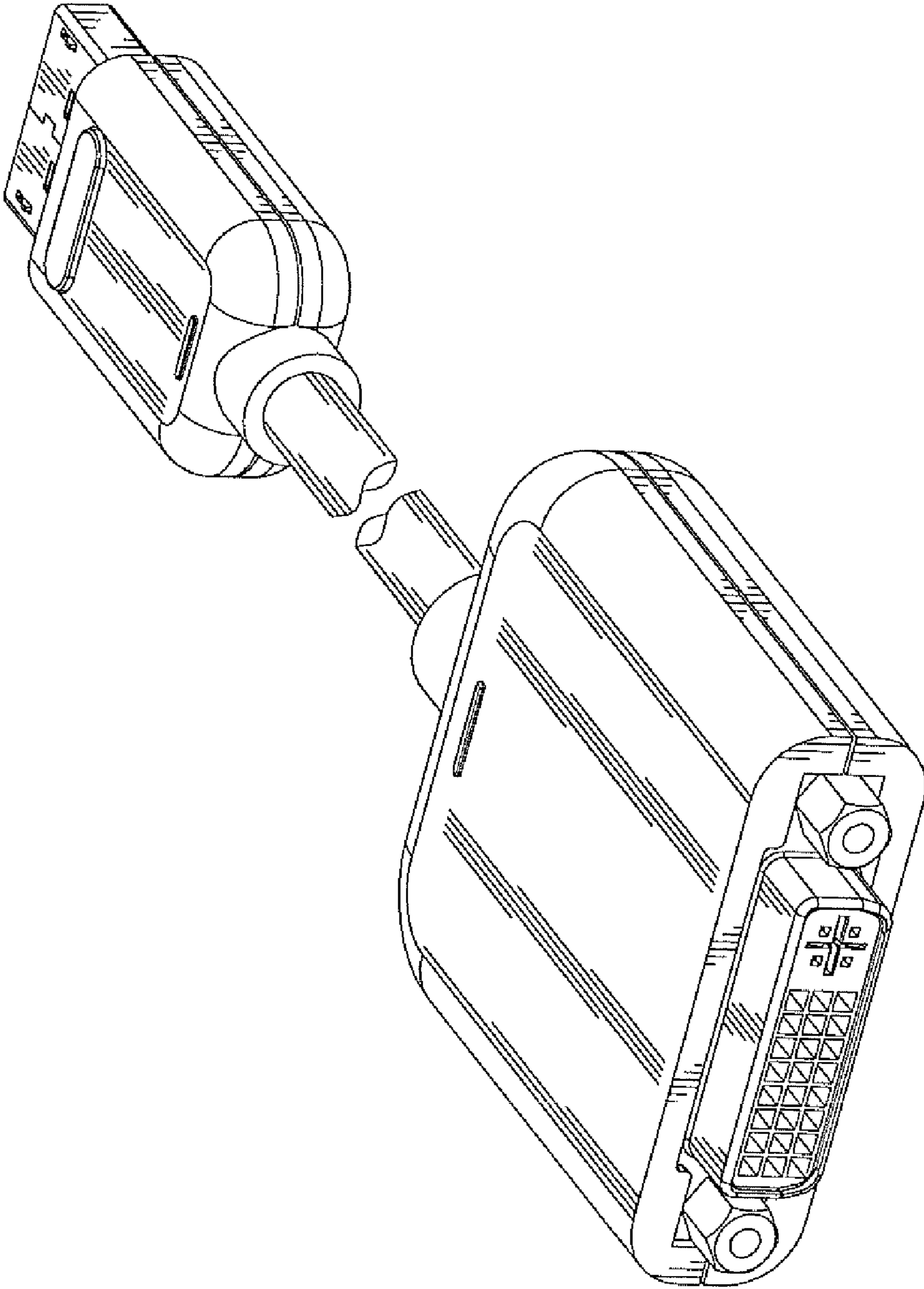


FIG. 1

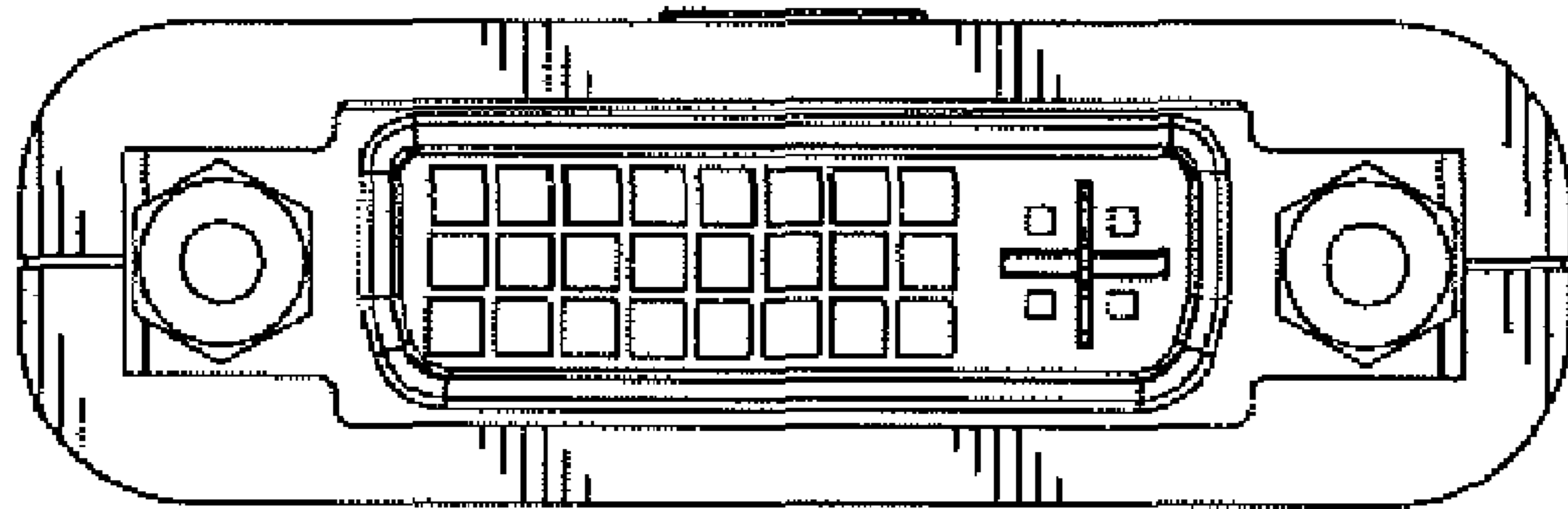


FIG. 2

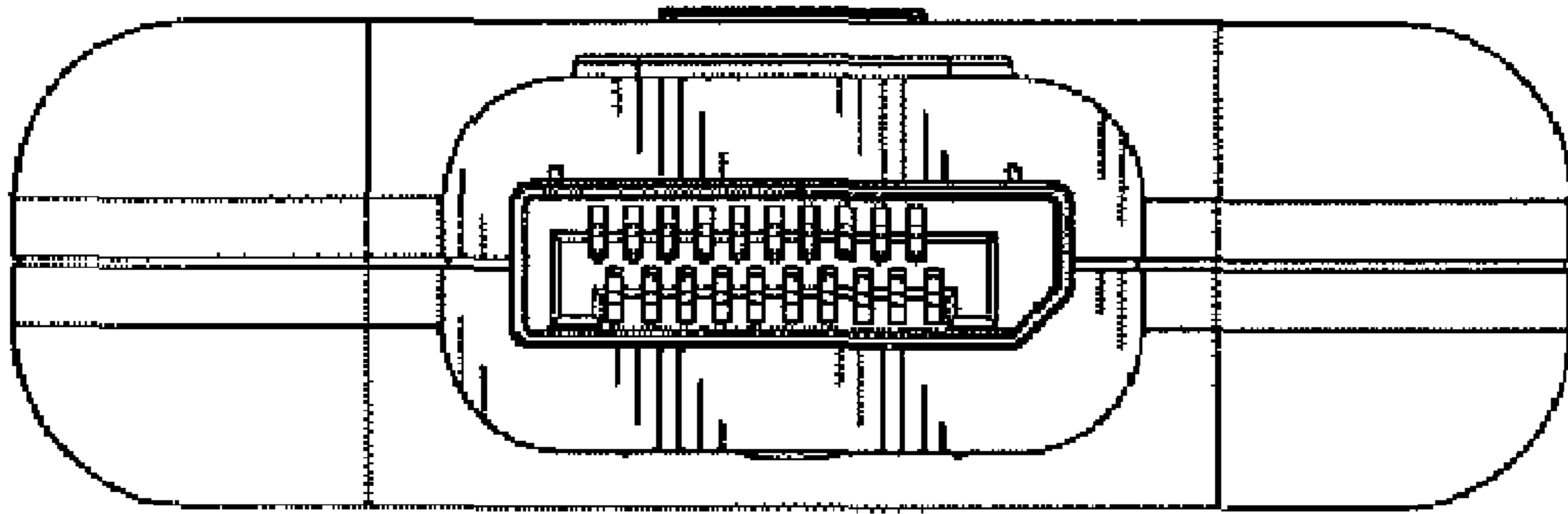


FIG. 3

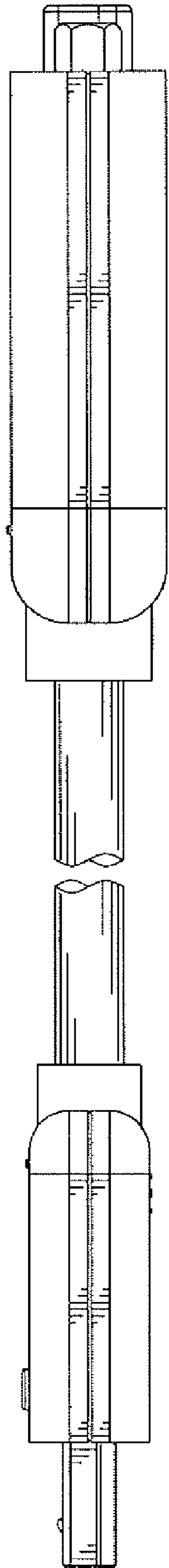


FIG. 4

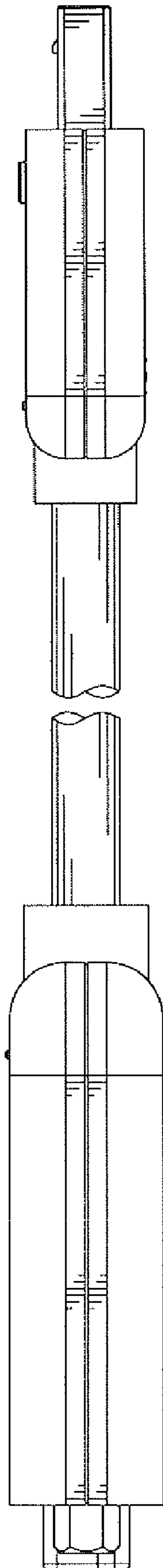


FIG. 5

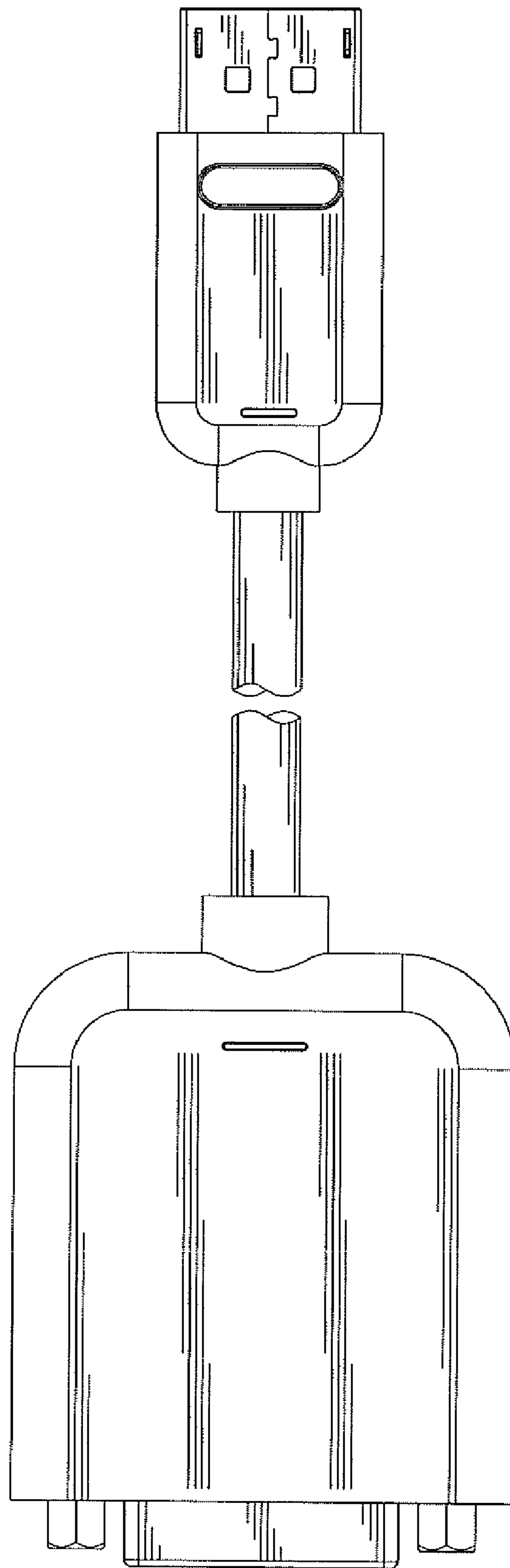


FIG. 6

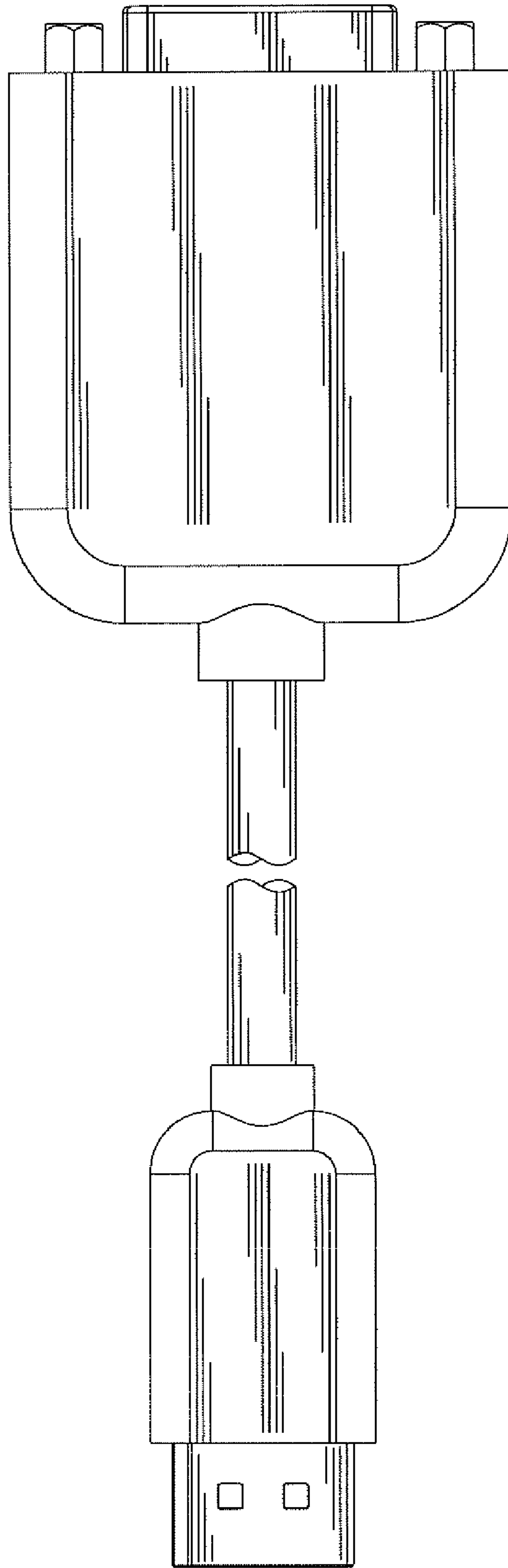


FIG. 7



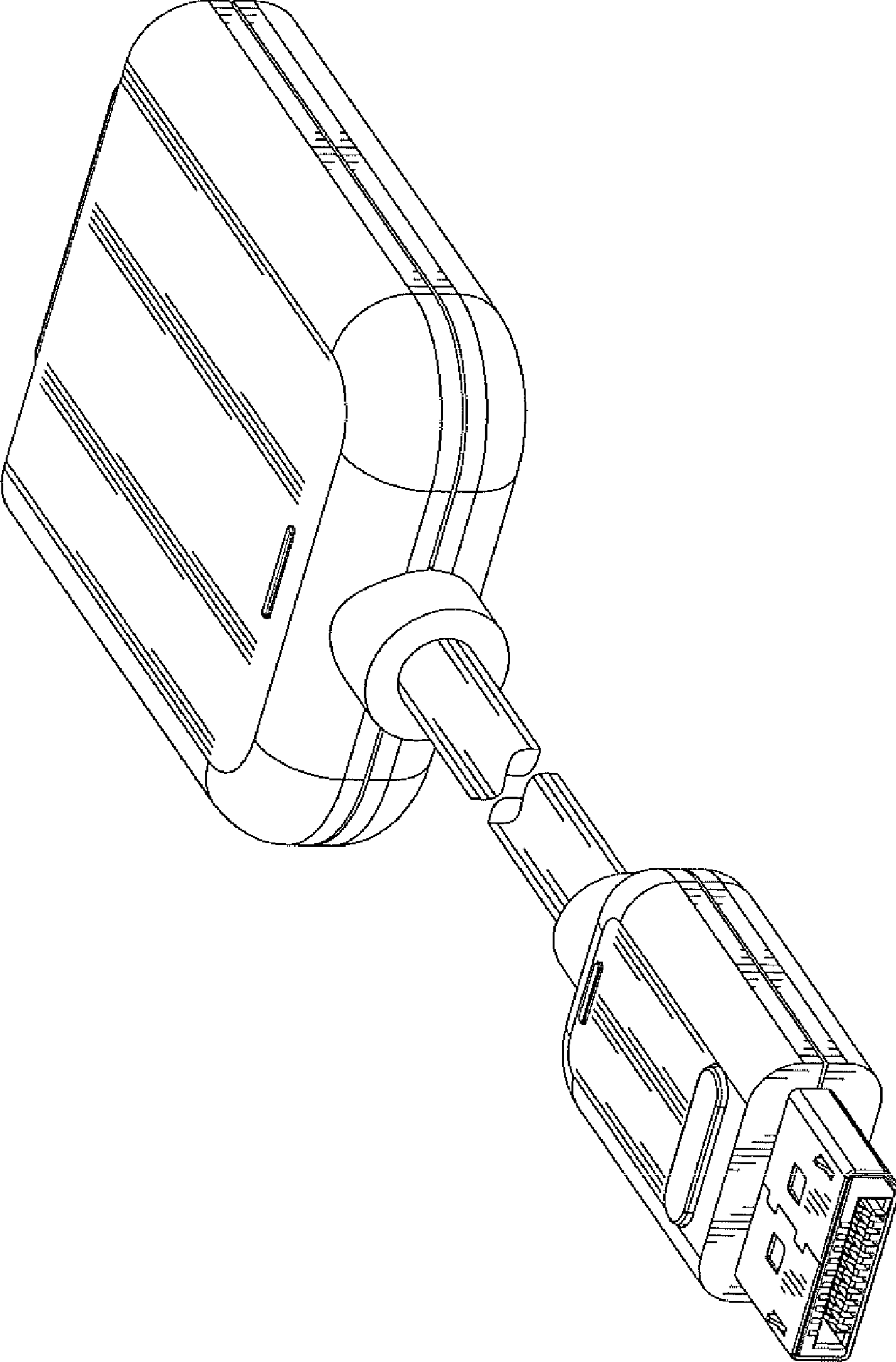


FIG. 8