



US00D610092S

(12) **United States Design Patent**  
**Jimenez et al.**

(10) **Patent No.:** **US D610,092 S**  
(45) **Date of Patent:** **\*\* Feb. 16, 2010**

(54) **PLUG ADAPTER**

(75) Inventors: **Javier Jimenez**, Pacific Palisades, CA (US); **Matthew Cullen**, Los Angeles, CA (US)

(73) Assignee: **Motion Theory, Inc.**, Venice, CA (US)

(\*\*) Term: **14 Years**

(21) Appl. No.: **29/344,378**

(22) Filed: **Sep. 29, 2009**

(51) **LOC (9) Cl.** ..... **13-03**

(52) **U.S. Cl.** ..... **D13/137.2**

(58) **Field of Classification Search** .. D13/137.1–137.4, D13/138.1, 138.2, 139.1–139.8, 107–108, D13/110, 133, 146, 147, 54, 184, 199; D14/433; 174/53–58, 66; 439/105–107, 535, 650–655, 439/638, 692, 502, 505; 337/189, 198  
See application file for complete search history.

(56) **References Cited**

U.S. PATENT DOCUMENTS

2,448,339	A *	8/1948	Williams	.....	200/51.02
3,242,455	A *	3/1966	Horvath et al.	.....	439/105
D294,018	S	2/1988	Poliak et al.		
D297,634	S	9/1988	Poliak et al.		
D375,292	S *	11/1996	D'Amato	.....	D13/137.1
D376,129	S *	12/1996	Muller et al.	.....	D13/137.1
D399,488	S	10/1998	Williams		
D401,220	S	11/1998	Dwight et al.		
6,039,608	A *	3/2000	Amero et al.	.....	439/651
D459,307	S	6/2002	Nieto		
D462,056	S *	8/2002	Chung	.....	D13/137.1
D484,460	S	12/2003	Cheng et al.		
D492,254	S *	6/2004	Nakashima et al.	.....	D13/139.2

6,884,125	B2 *	4/2005	Chen	.....	439/848
D537,040	S	2/2007	Chesebro et al.		
D543,939	S	6/2007	Burke		
D559,184	S *	1/2008	Russell et al.	.....	D13/137.1
D576,552	S *	9/2008	Caine et al.	.....	D13/137.2
D596,571	S *	7/2009	Green	.....	D13/137.2
D596,572	S *	7/2009	Wu et al.	.....	D13/138.1

OTHER PUBLICATIONS

U.S. Appl. No. 29/344,381, filed Sep. 29, 2009.

\* cited by examiner

*Primary Examiner*—Rosemary K Tarca

(74) *Attorney, Agent, or Firm*—Hansen IP Law PLLC

(57) **CLAIM**

The ornamental design for a plug adapter, as shown and described.

**DESCRIPTION**

FIG. 1 is a perspective view of a plug adapter in accordance with a preferred embodiment of the claimed design;

FIG. 2 is a front elevational view thereof;

FIG. 3 is a rear elevational view thereof;

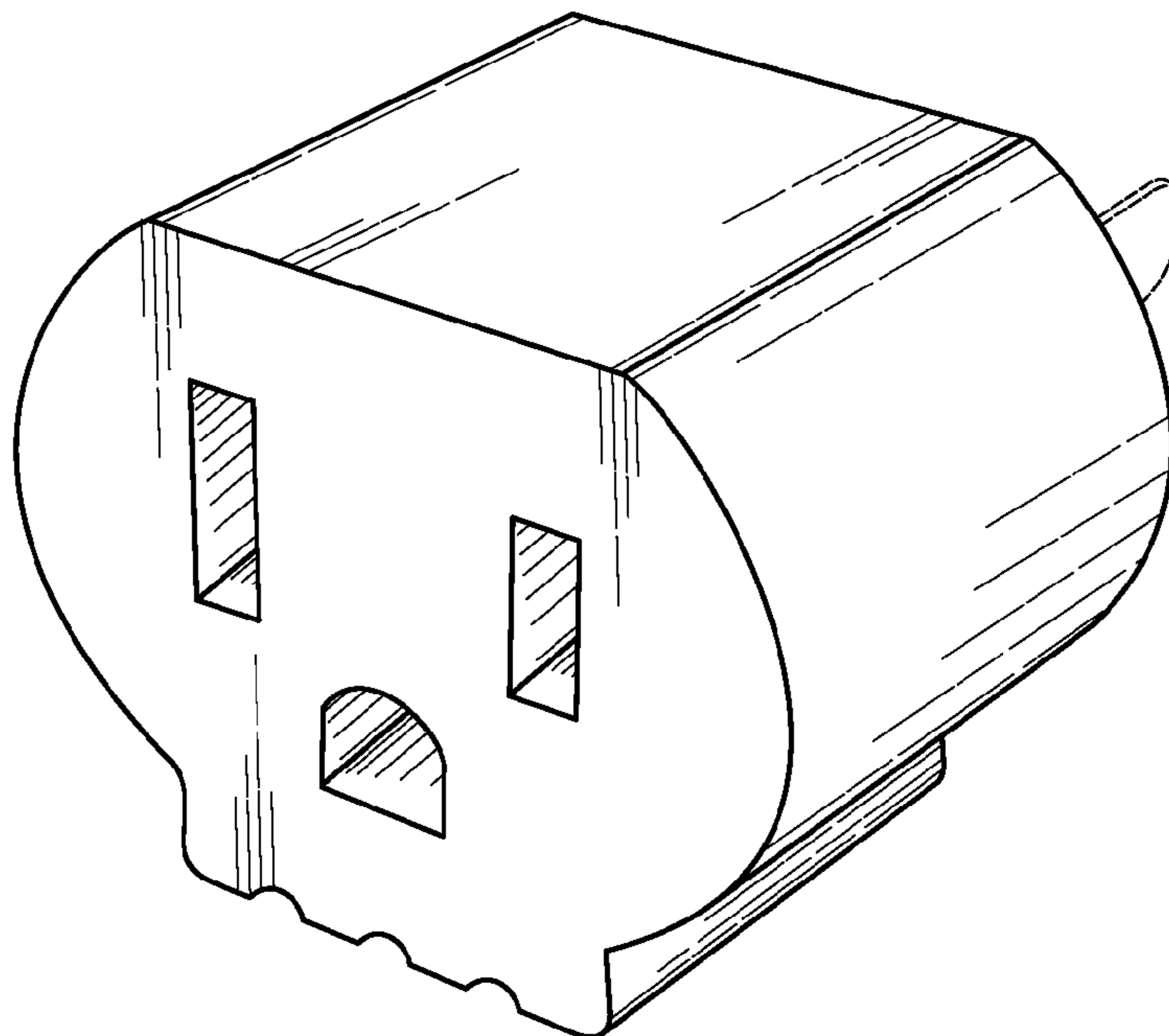
FIG. 4 is a top plan view thereof;

FIG. 5 is a bottom plan view thereof; and,

FIG. 6 is a first side elevational view thereof and a mirror image of the opposite side thereof.

The broken lines showing the outlet connectors of the plug adapter in FIGS. 1 and 3–6 are for the purpose of illustrating environmental structure and form no part of the claimed design.

**1 Claim, 4 Drawing Sheets**



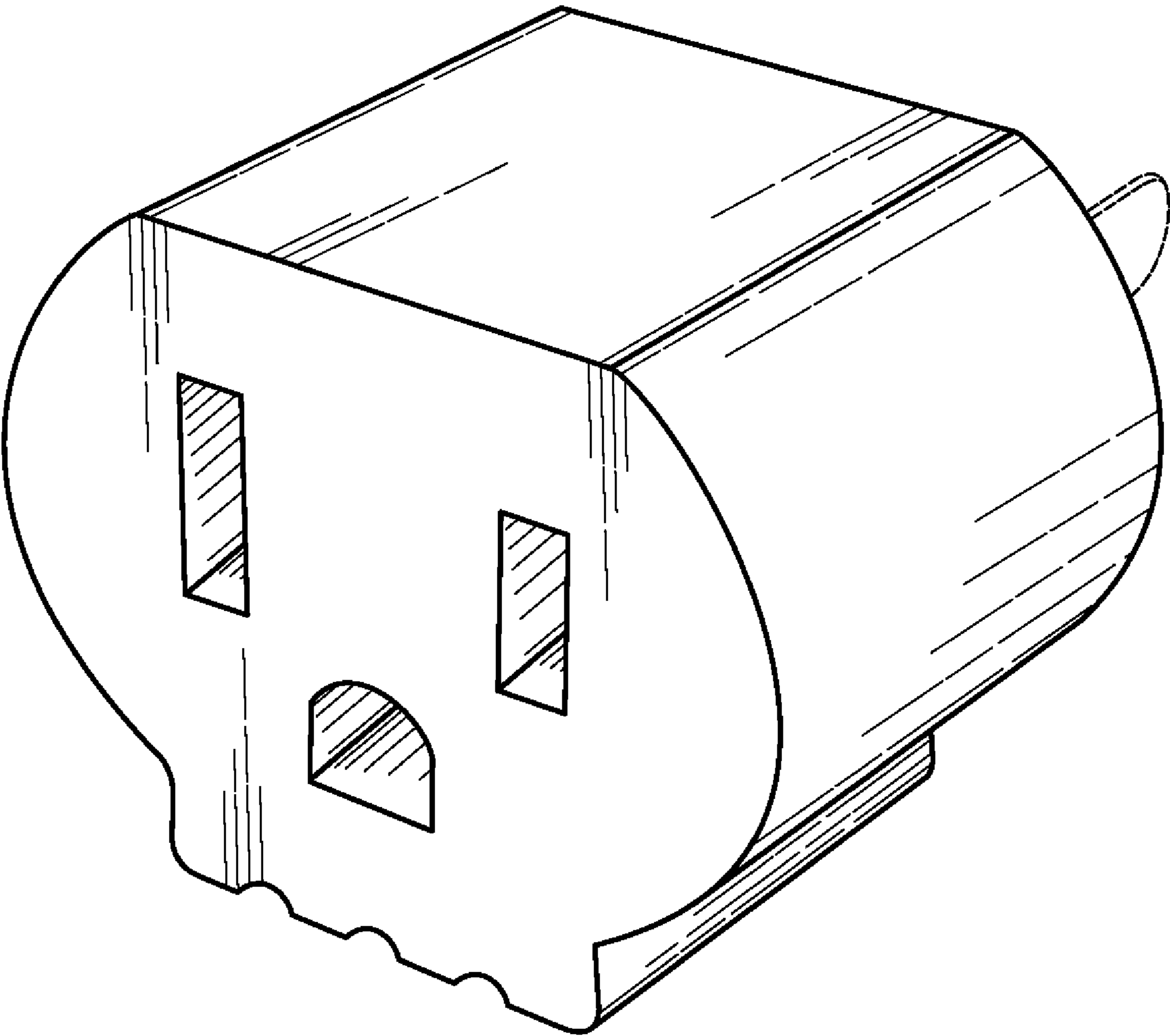


FIG. 1

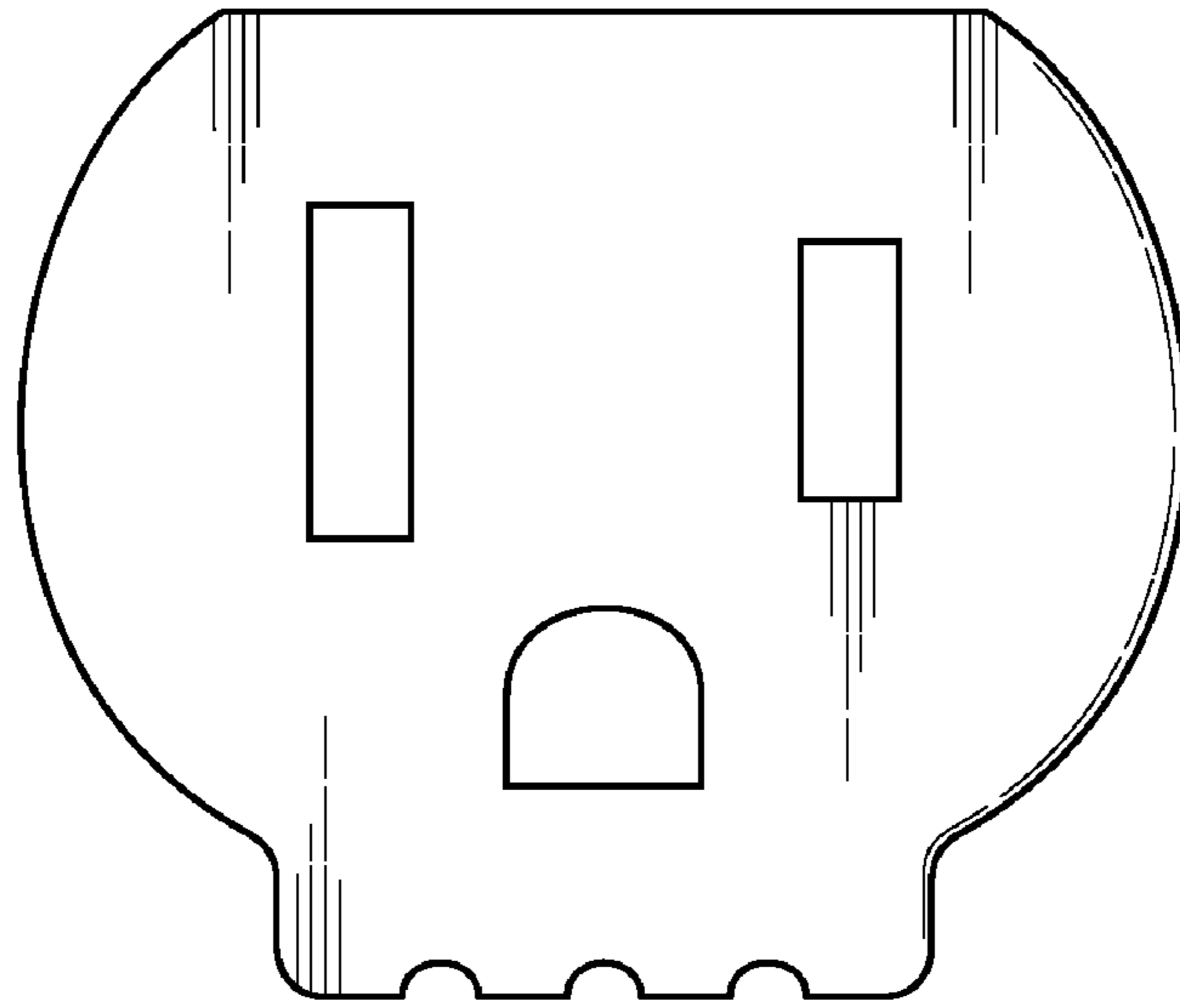


FIG. 2

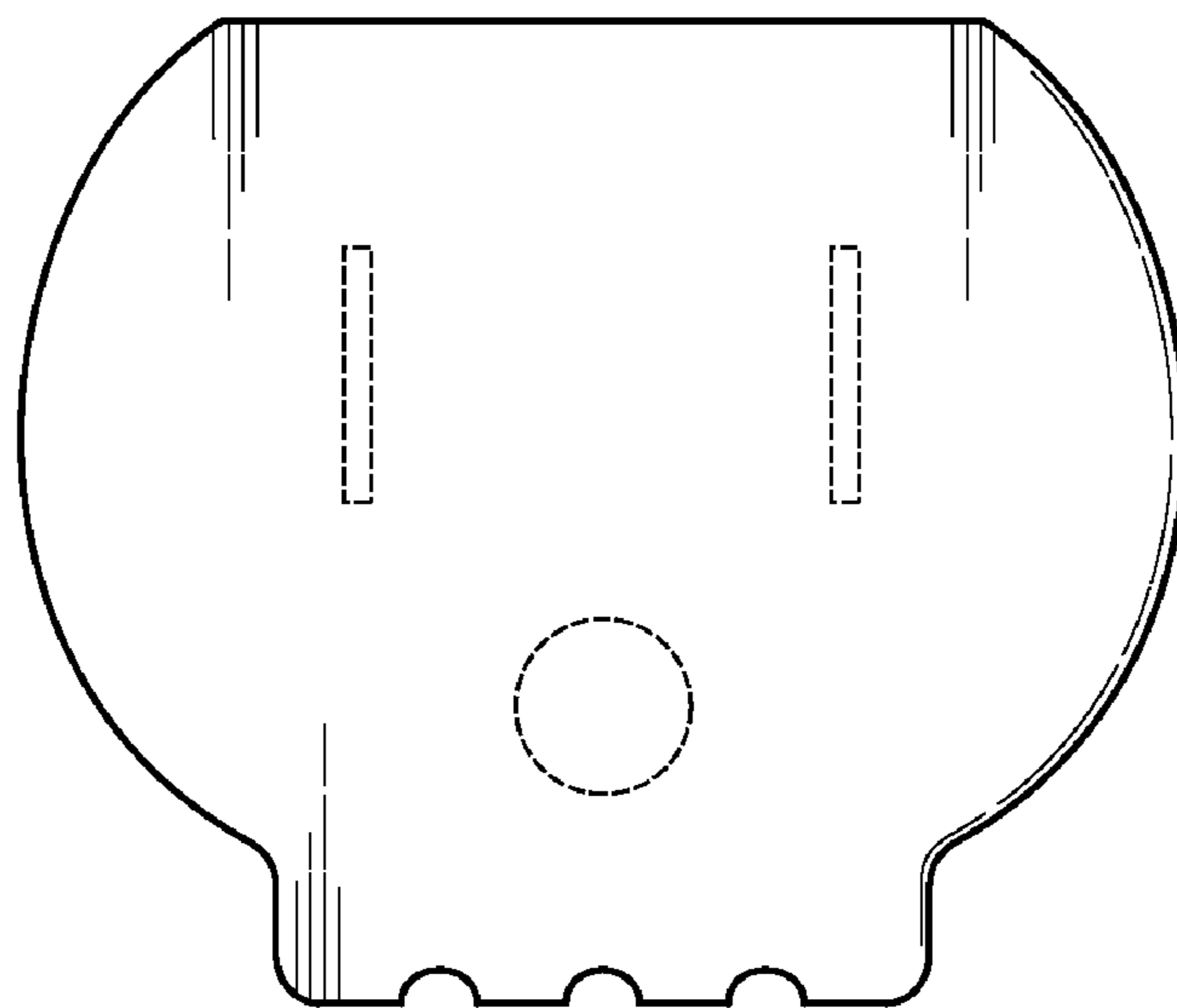


FIG. 3

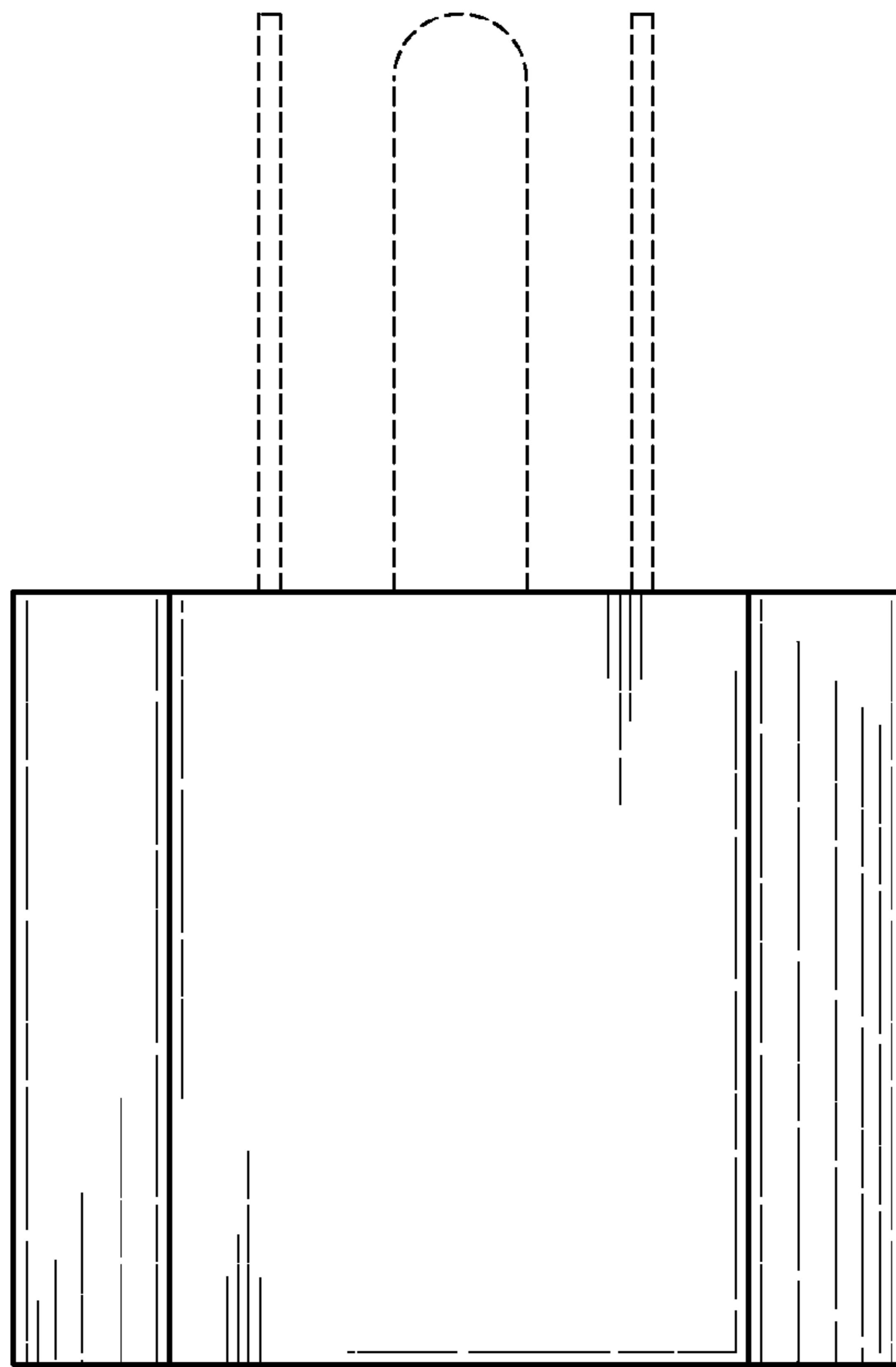


FIG. 4

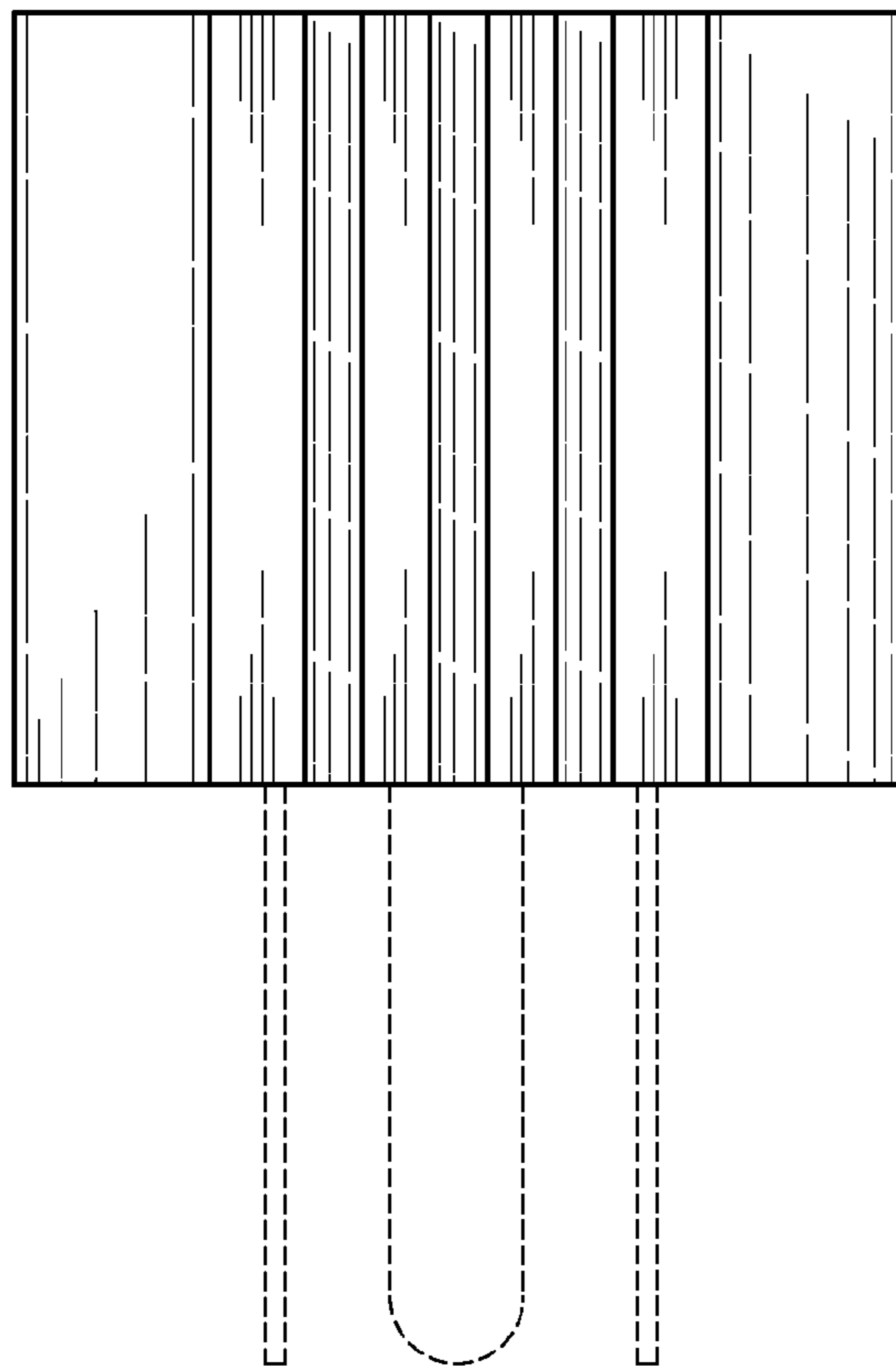


FIG. 5

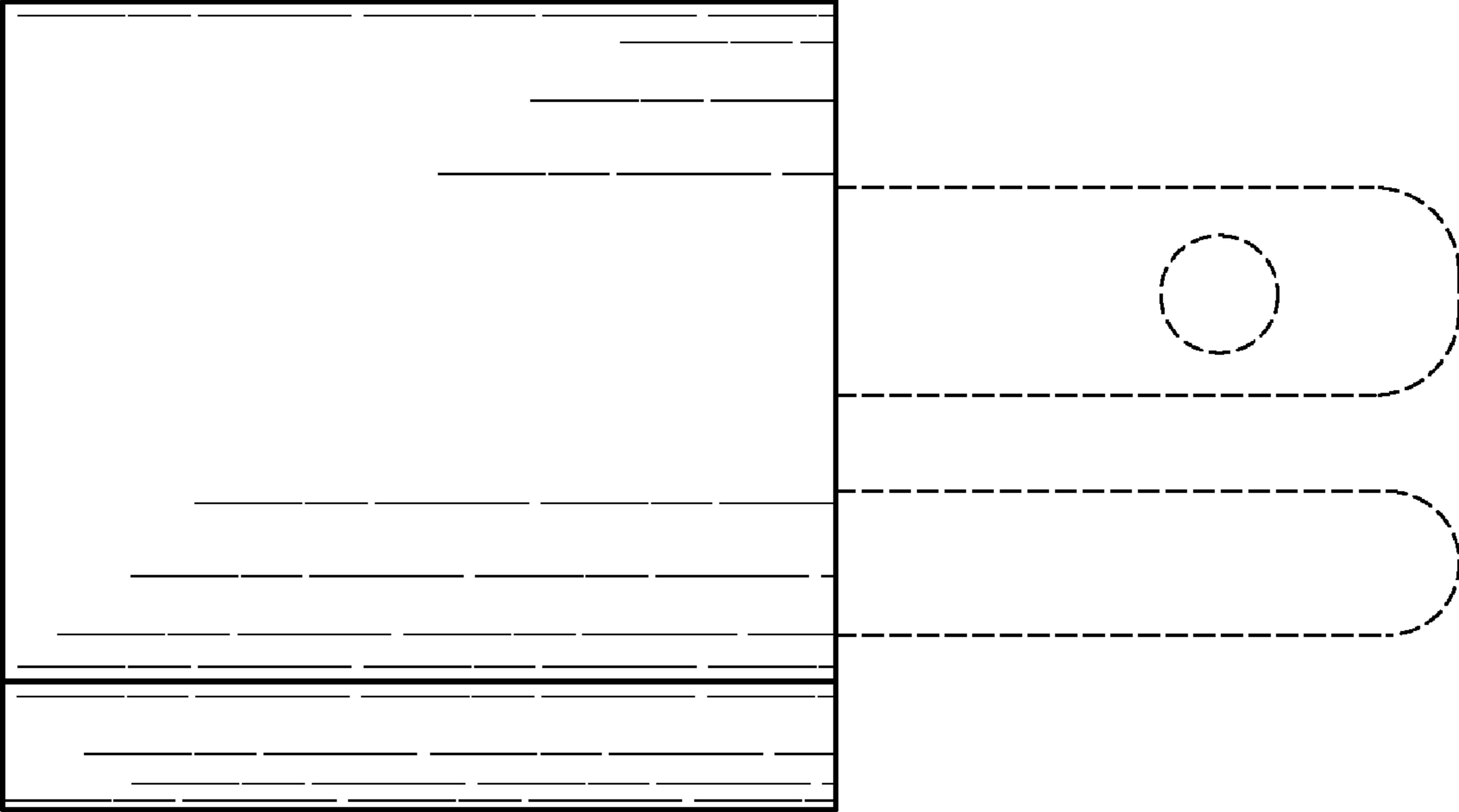


FIG. 6