



US00D610091S

(12) **United States Design Patent**  
**Biery et al.**

(10) **Patent No.:** **US D610,091 S**

(45) **Date of Patent:** **\*\* \*Feb. 16, 2010**

(54) **LAMP CONTROL MODULE**

(75) Inventors: **Ethan Charles Biery**, Orefield, PA (US); **Michael Hash**, West Conshohocken, PA (US); **Marc D'Urbano**, Lansdale, PA (US); **Elliot G. Jacoby**, Glenside, PA (US); **Gregory Altonen**, Easton, PA (US); **Noel Mayo**, Philadelphia, PA (US)

(73) Assignee: **Lutron Electronics Co., Inc.**, Coopersburg, PA (US)

(\*) Notice: This patent is subject to a terminal disclaimer.

(\*\*) Term: **14 Years**

(21) Appl. No.: **29/336,348**

(22) Filed: **May 1, 2009**

**Related U.S. Application Data**

(62) Division of application No. 29/318,103, filed on May 13, 2008.

(51) **LOC (9) Cl.** ..... **13-03**

(52) **U.S. Cl.** ..... **D13/134**

(58) **Field of Classification Search** ..... D13/134-136, D13/151, 154, 158, 162, 174, 184, 199; 439/336, 602; D26/24, 60, 106, 113; 313/318.12; 362/103, 105, 581  
See application file for complete search history.

(56) **References Cited**

**U.S. PATENT DOCUMENTS**

|           |     |         |                   |         |
|-----------|-----|---------|-------------------|---------|
| 4,211,959 | A   | 7/1980  | Deavenport et al. |         |
| 4,591,765 | A   | 5/1986  | Beck              |         |
| 4,630,248 | A   | 12/1986 | Scott             |         |
| 4,632,490 | A * | 12/1986 | Von Gunten        | 439/642 |
| 4,654,541 | A   | 3/1987  | Angott            |         |
| D292,793  | S * | 11/1987 | Reid, III         | D13/134 |
| D310,064  | S * | 8/1990  | Cheng             | D13/165 |
| D320,595  | S * | 10/1991 | Fenne             | D13/158 |

|           |     |         |                 |         |
|-----------|-----|---------|-----------------|---------|
| 5,121,287 | A   | 6/1992  | Lee             |         |
| D350,730  | S * | 9/1994  | Ayotte          | D13/162 |
| D354,730  | S * | 1/1995  | Collins         | D13/125 |
| D364,142  | S * | 11/1995 | Metcalfe et al. | D13/134 |
| D367,847  | S * | 3/1996  | Tarulli et al.  | D13/158 |
| 5,962,992 | A   | 10/1999 | Huang et al.    |         |
| D435,832  | S * | 1/2001  | Jilani          | D13/158 |
| 6,390,646 | B1  | 5/2002  | Yan             |         |
| 6,494,730 | B1  | 12/2002 | Yan             |         |
| 6,531,824 | B1  | 3/2003  | Yan             |         |
| RE38,069  | E   | 4/2003  | Posa            |         |
| 6,779,911 | B2  | 8/2004  | Chang           |         |

(Continued)

**OTHER PUBLICATIONS**

Intermatic Corporation, General Catalog, 2007, pp. cover, 124, rear cover.

(Continued)

*Primary Examiner*—Daniel D Bui

*Assistant Examiner*—Thomas J Johannes

(74) *Attorney, Agent, or Firm*—Mark E. Rose; Philip N. Smith

(57)

**CLAIM**

The ornamental design for a lamp control module, as shown and described.

**DESCRIPTION**

FIG. 1 is a top perspective view of a lamp control module according to our new design.

FIG. 2 is a bottom perspective view thereof.

FIG. 3 is a front view thereof.

FIG. 4 is a rear view thereof.

FIG. 5 is a left side view thereof.

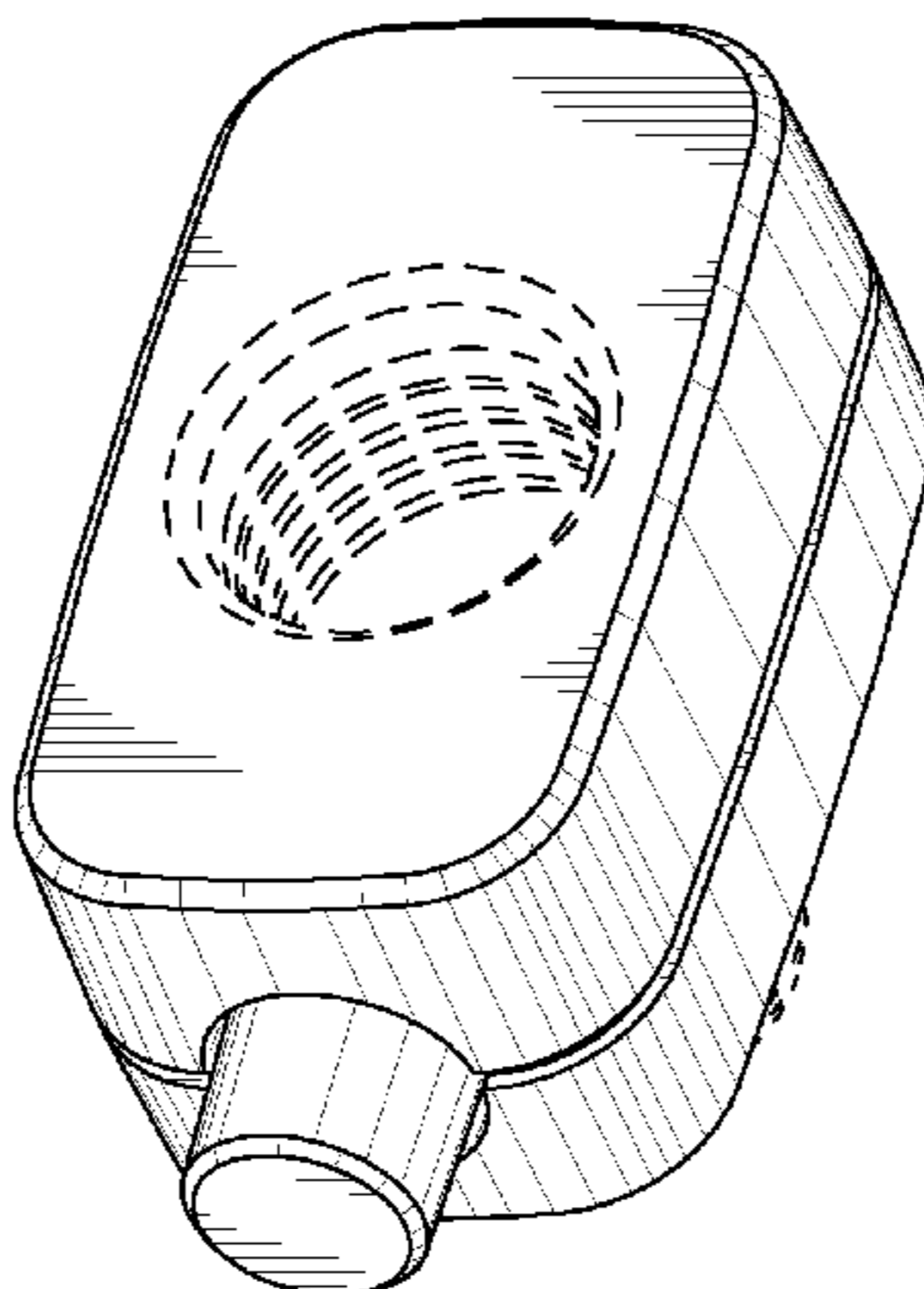
FIG. 6 is a right side view thereof.

FIG. 7 is a top view thereof; and,

FIG. 8 is a bottom view thereof.

The portions of the drawings appearing in broken line are for environment only and do not form a part of the claimed design.

**1 Claim, 4 Drawing Sheets**



U.S. PATENT DOCUMENTS

6,802,730 B2 10/2004 Chang  
6,888,320 B2 5/2005 Denes  
D517,480 S \* 3/2006 Luo ..... D13/134  
7,125,159 B2 10/2006 Hirsch et al.  
D583,761 S \* 12/2008 Schenck ..... D13/134  
D593,948 S 6/2009 Biery et al.  
D593,949 S 6/2009 Biery et al.  
D593,950 S 6/2009 Biery et al.  
2005/0013196 A1 1/2005 Russo

OTHER PUBLICATIONS

Intermatic Corporation, Model HA05 Screw-In Lamp Module Installation Instructions, not dated, 2 pages.  
Intermatic Corporation, NE1C Product Fact Sheet, Jun. 12, 2002, 1 page.  
Intermatic Corporation, NE2C Product Fact Sheet, Jun. 12, 2002, 1 page.  
Intermatic Corporation, NE200C Product Fact Sheet, Jun. 12, 2002, 1 page.

Intermatic Corporation, NE250C Product Fact Sheet, May 28, 2002, 1 page.  
Desa, Ltd., Ace Remote Controlled Products Installation Instructions, 2005, 32 pages.  
Desa, Ltd., Heath/Zenith Remote Controlled Products Installation Instructions, 2002, 20 pages.  
Desa, Ltd., Heath/Zenith Wireless Lamp/Outlet Modules Installation Instructions, 2001, 12 pages.  
Lutron Electronics Co., Inc., Stanza Lamp Socket Dimmer/Switch Specification Submittal Sheet, Feb. 13, 2008, 4 pages.  
Lutron Electronics Co., Inc., Stanza Hotel Guestroom Light Control Brochure, Feb. 20, 2008, 12 pages.  
Leviton Manufacturing Co., Inc., Lighting and Fan Speed Controls Product Guide, 2006, front cover, p. 7, rear cover.  
U.S. Appl. No. 11/835,950, filed Aug. 8, 2007, Newman, Jr. et al.  
U.S. Appl. No. 12/033,329, filed Feb. 19, 2008, Biery et al.  
U.S. Appl. No. 29/318,103, filed May 13, 2008, Biery et al.  
U.S. Appl. No. 29/336,344, filed May 1, 2009, Biery et al.  
U.S. Appl. No. 29/336,345, filed May 1, 2009, Biery et al.

\* cited by examiner

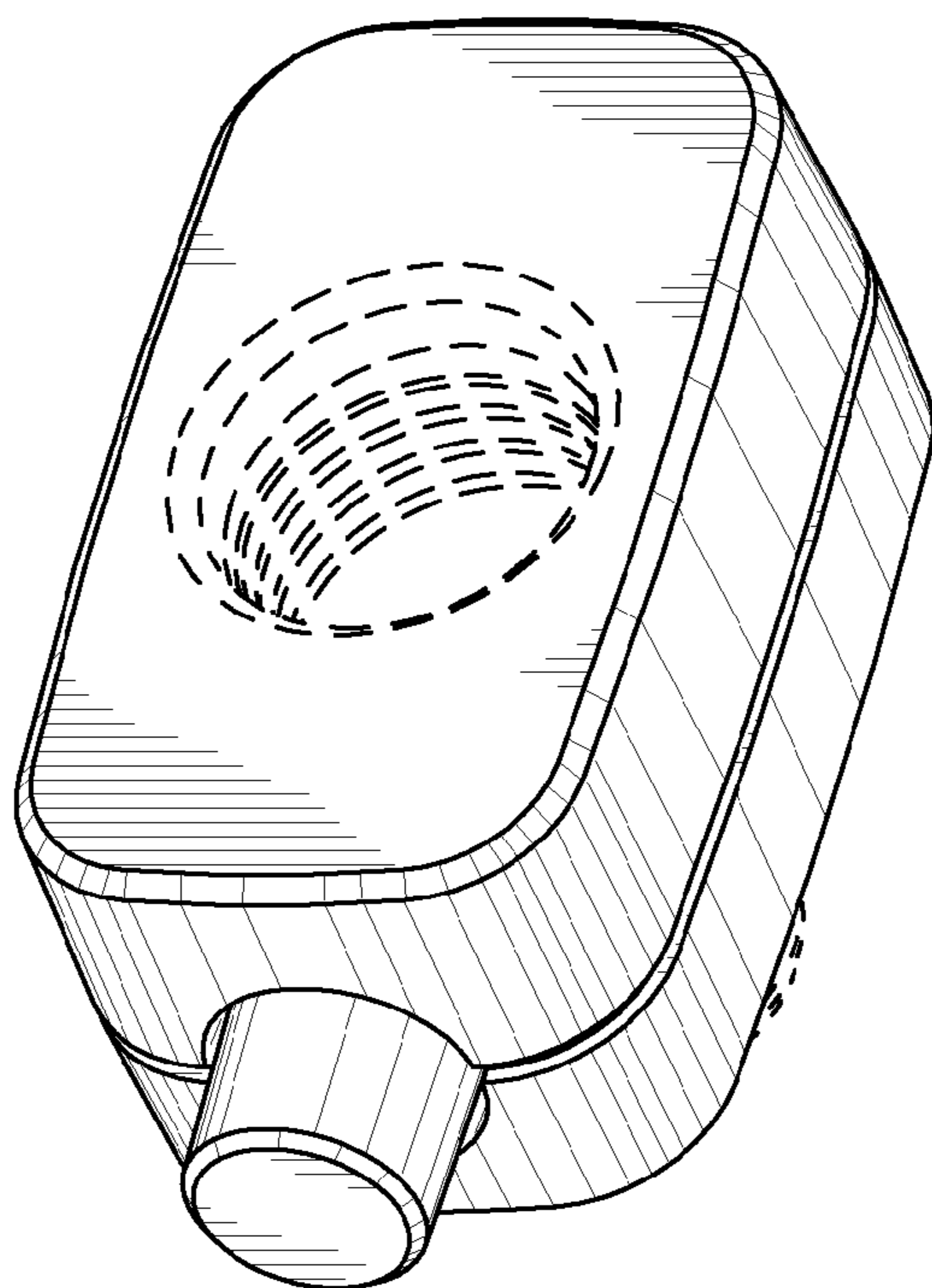


Fig. 1

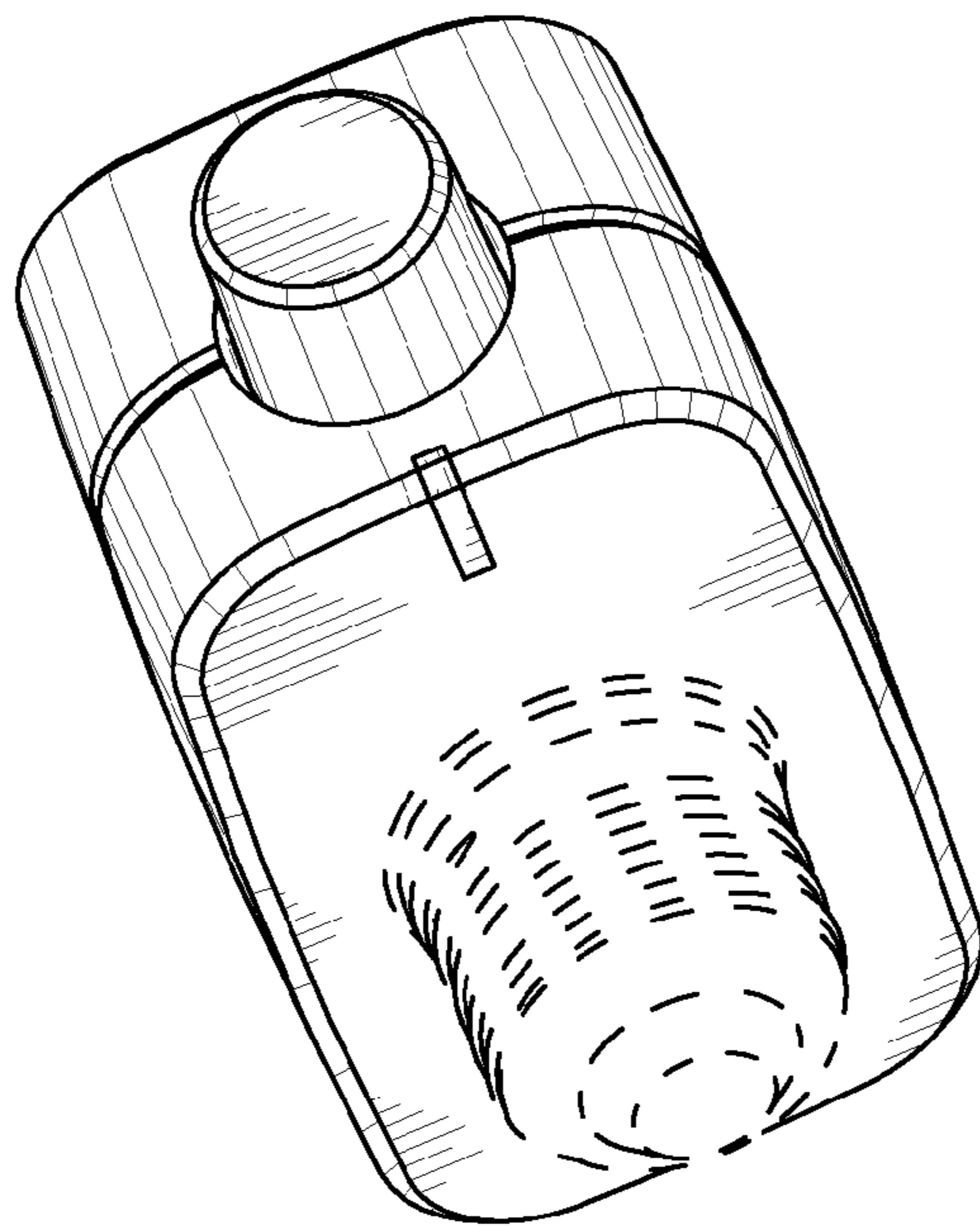


Fig. 2

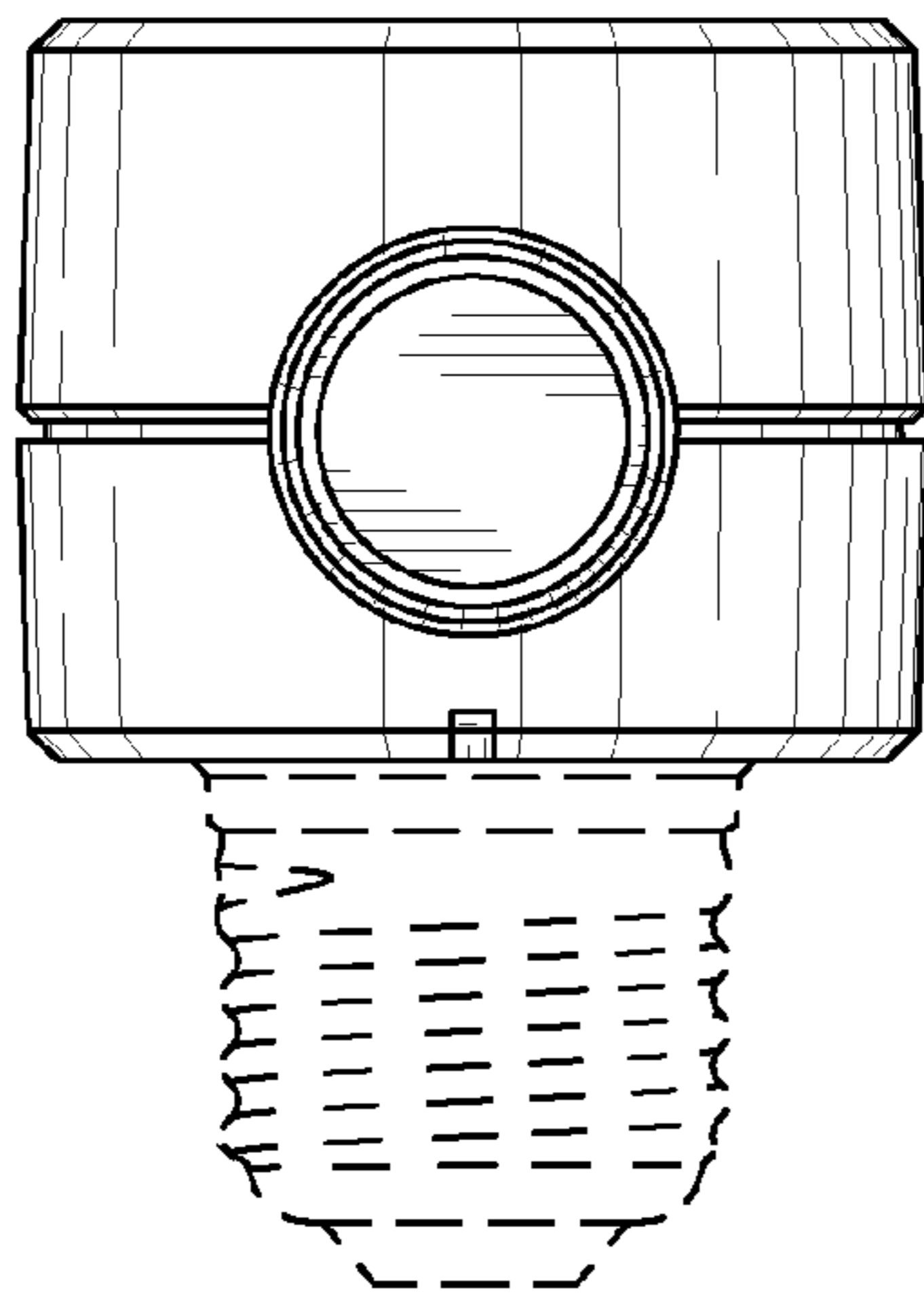


Fig. 3

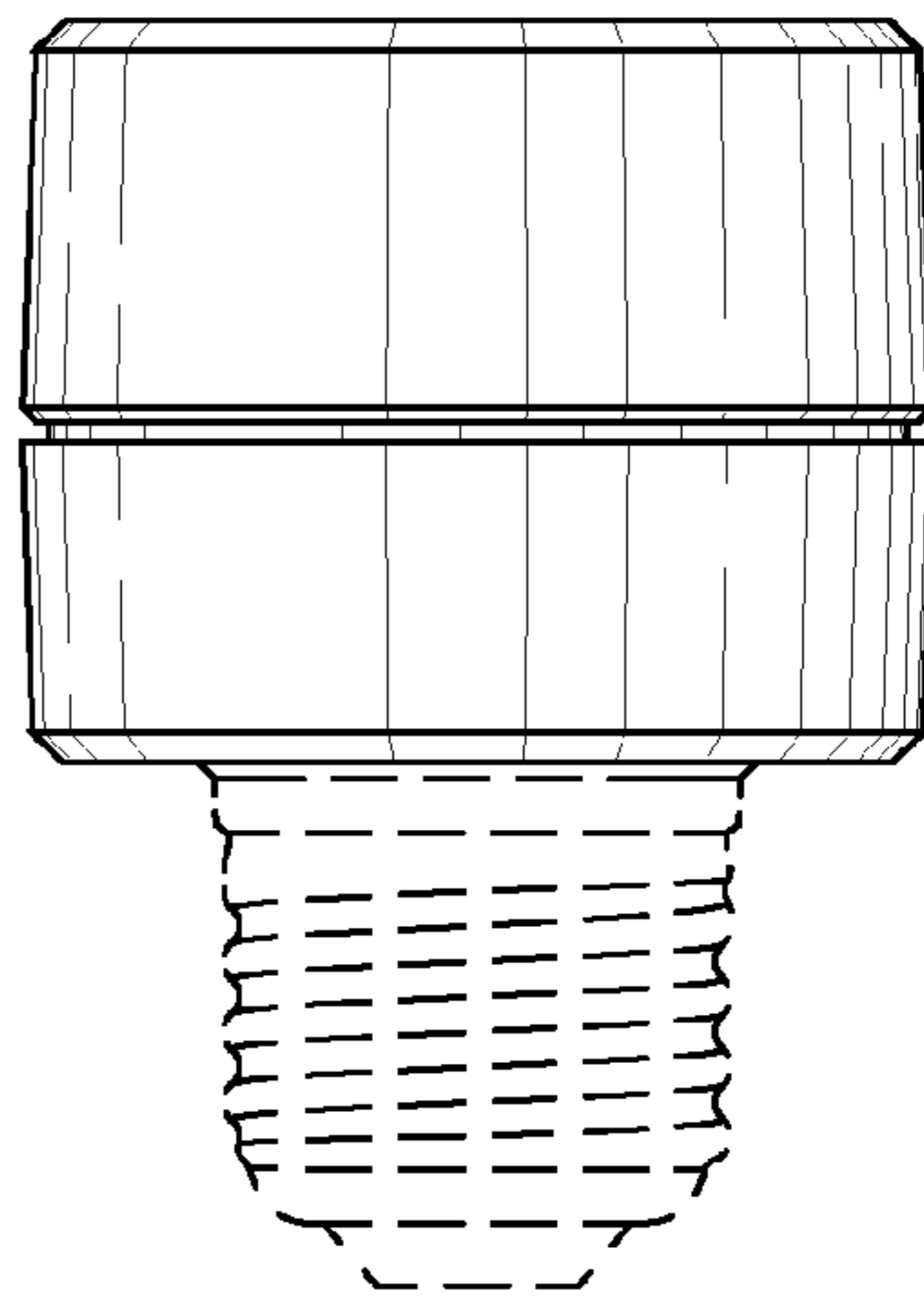


Fig. 4

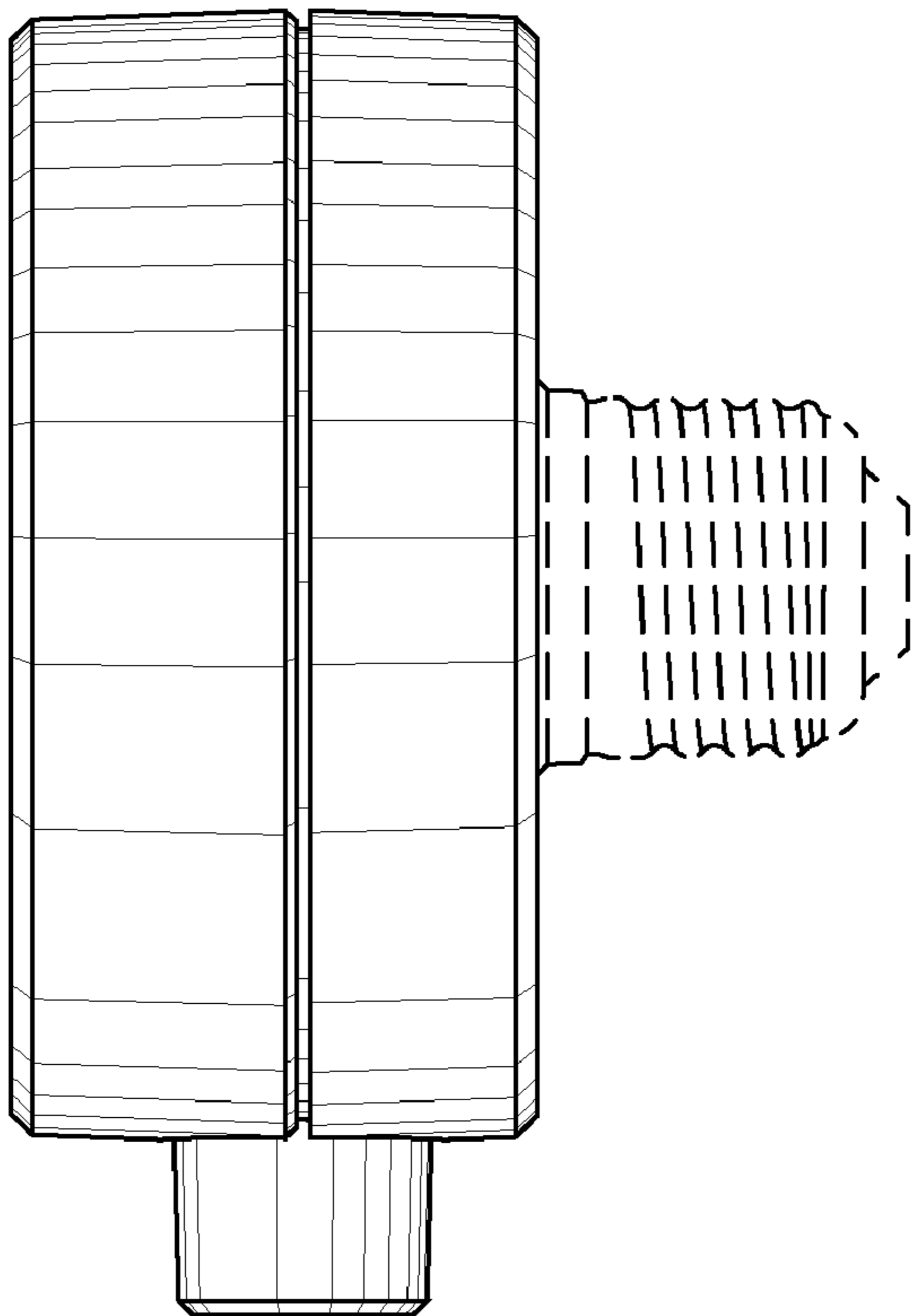


Fig. 6

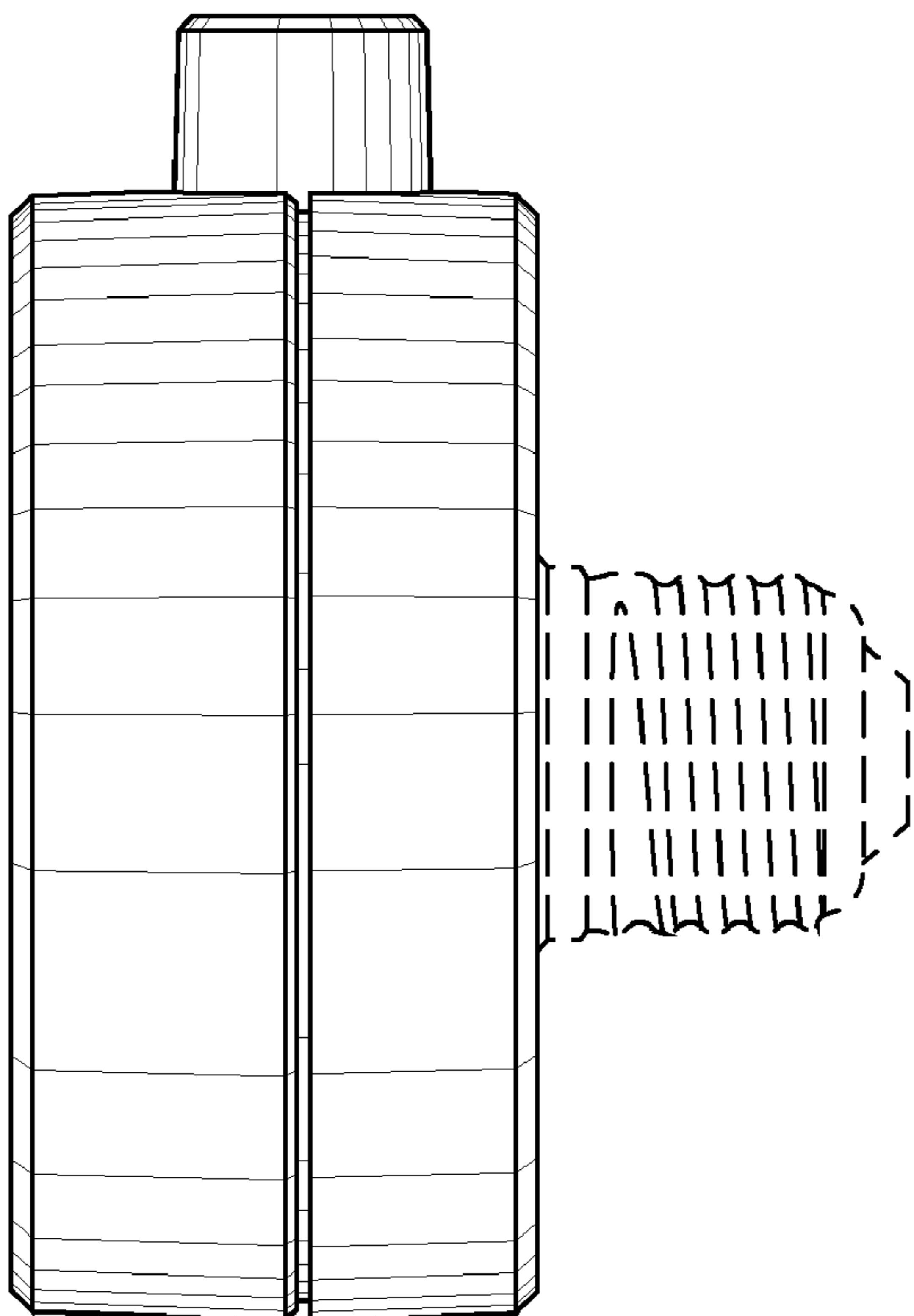


Fig. 5

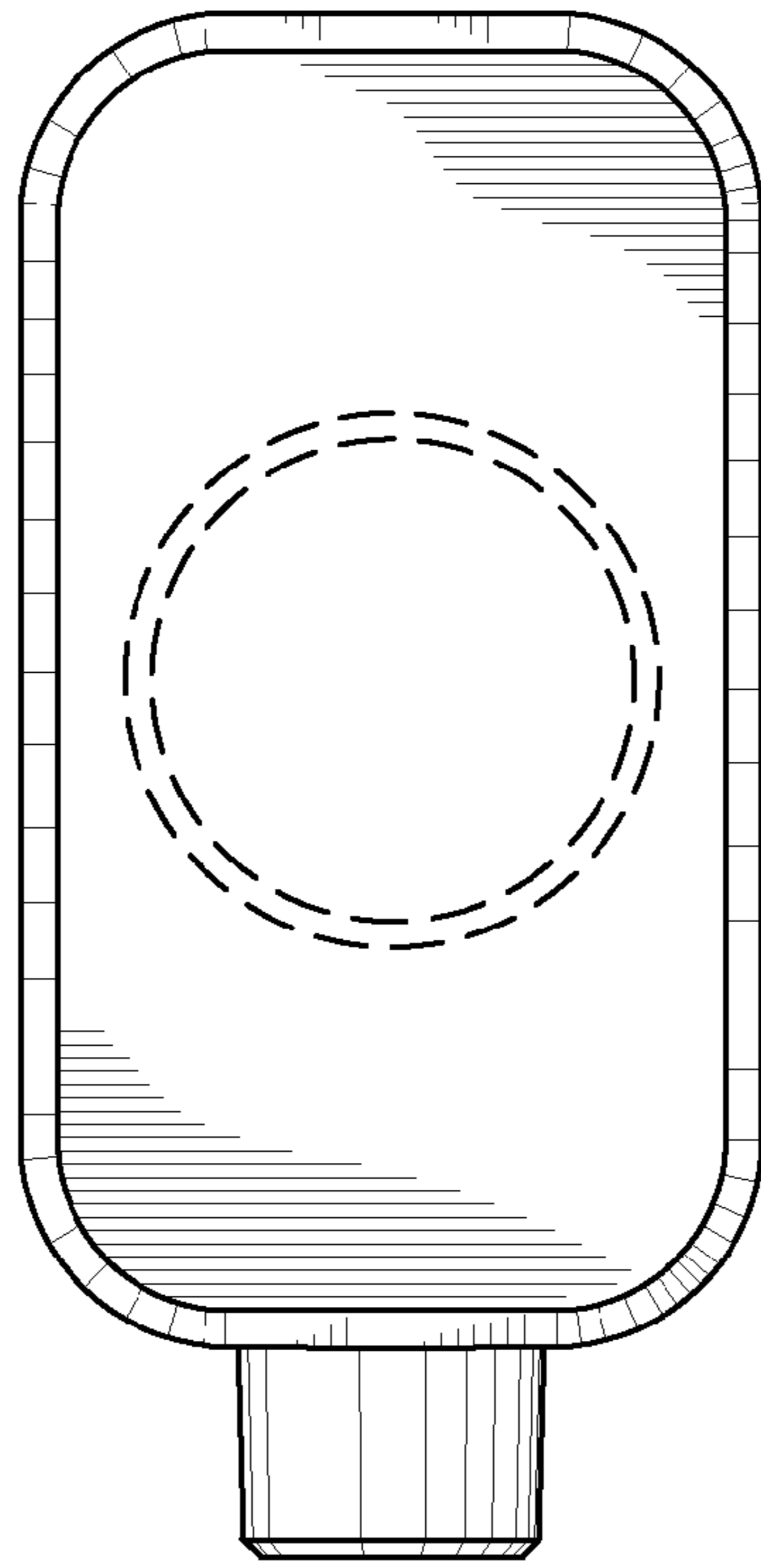


Fig. 7

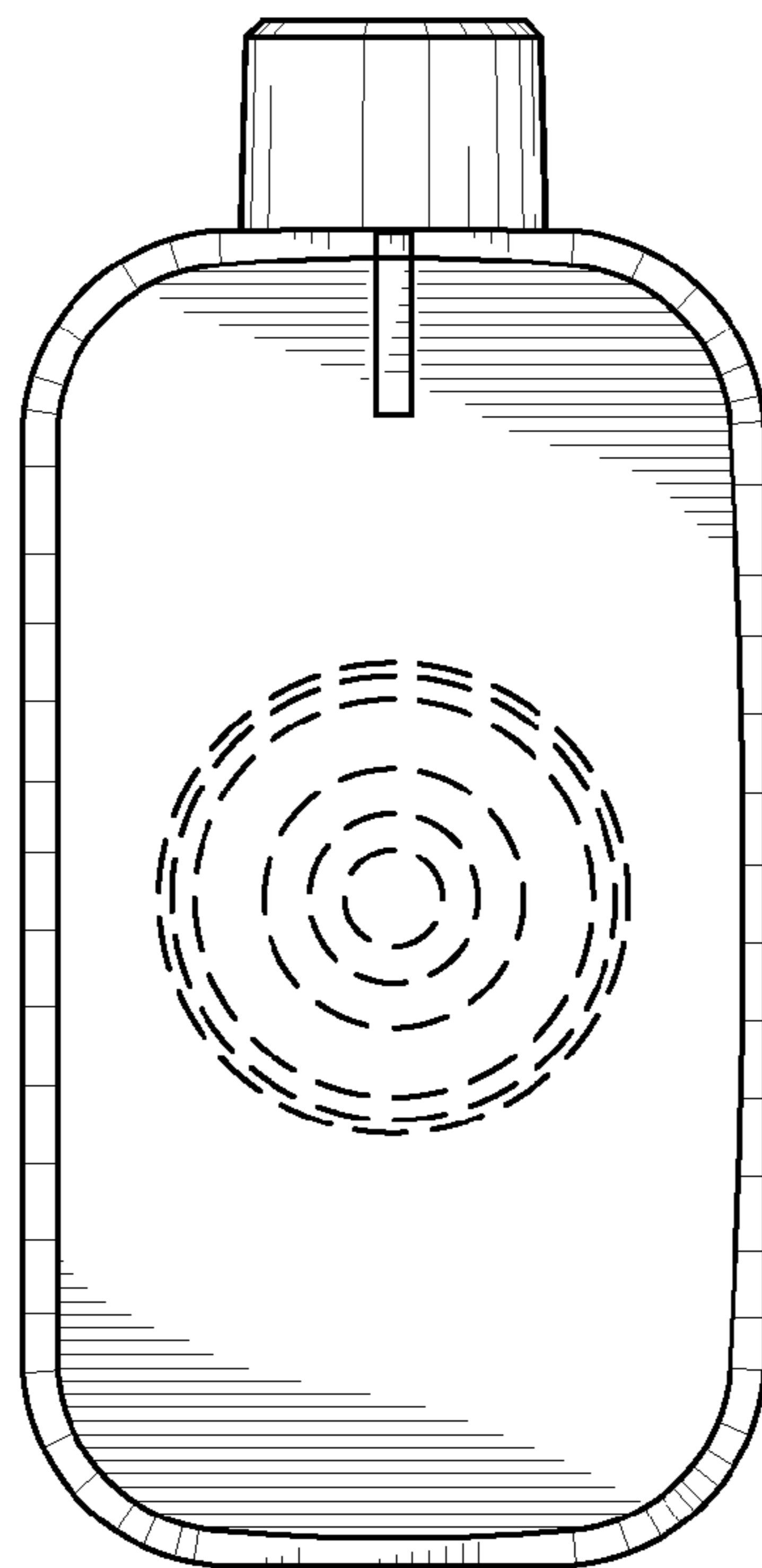


Fig. 8