



US00D610089S

(12) **United States Design Patent**  
**Mack**

(10) **Patent No.:** **US D610,089 S**

(45) **Date of Patent:** **\*\* Feb. 16, 2010**

(54) **BATTERY**

(75) Inventor: **Robert J. Mack**, Milwaukee, WI (US)

(73) Assignee: **Johnson Controls Technology Company**, Holland, MI (US)

(\*\*) Term: **14 Years**

(21) Appl. No.: **29/302,068**

(22) Filed: **Jan. 9, 2008**

(51) **LOC (9) Cl.** ..... **13-02**

(52) **U.S. Cl.** ..... **D13/119; D13/103**

(58) **Field of Classification Search** ..... D13/102–106,  
D13/110, 118–119, 184; 429/96–100, 163,  
429/176

See application file for complete search history.

(56) **References Cited**

**U.S. PATENT DOCUMENTS**

|               |         |                    |       |         |
|---------------|---------|--------------------|-------|---------|
| D197,519 S *  | 2/1964  | Rohe               | ..... | D13/119 |
| D239,837 S *  | 5/1976  | Hennen             | ..... | D13/119 |
| D252,354 S *  | 7/1979  | Uyeda              | ..... | D3/302  |
| 4,346,151 A * | 8/1982  | Uba et al.         | ..... | 429/54  |
| 4,510,215 A * | 4/1985  | Adam               | ..... | 429/99  |
| D298,029 S    | 10/1988 | Foster             |       |         |
| D303,373 S    | 9/1989  | Ching, Jr.         |       |         |
| D304,926 S    | 12/1989 | Ching, Jr.         |       |         |
| D304,927 S    | 12/1989 | Ching, Jr. et al.  |       |         |
| D307,133 S    | 4/1990  | Ching, Jr.         |       |         |
| D307,886 S    | 5/1990  | Ching, Jr. et al.  |       |         |
| D318,025 S *  | 7/1991  | Moritaka           | ..... | D10/129 |
| D327,051 S *  | 6/1992  | Schwartz           | ..... | D13/118 |
| 5,283,137 A   | 2/1994  | Ching              |       |         |
| 5,415,956 A   | 5/1995  | Ching              |       |         |
| D372,701 S *  | 8/1996  | Tahmassebpur       | ..... | D13/103 |
| 5,599,641 A   | 2/1997  | Ching, Jr. et al.  |       |         |
| 5,763,116 A * | 6/1998  | Lapinski et al.    | ..... | 429/99  |
| 5,856,037 A   | 1/1999  | Casale et al.      |       |         |
| 5,871,862 A   | 2/1999  | Olson              |       |         |
| D406,258 S *  | 3/1999  | Segers             | ..... | D13/103 |
| 5,895,728 A * | 4/1999  | Walker et al.      | ..... | 429/53  |
| 5,977,746 A * | 11/1999 | Hershberger et al. | ..... | 320/112 |
| 5,998,062 A   | 12/1999 | Olson              |       |         |

|                |         |                  |       |        |
|----------------|---------|------------------|-------|--------|
| 6,023,146 A    | 2/2000  | Casale et al.    |       |        |
| 6,025,086 A    | 2/2000  | Ching            |       |        |
| 6,174,618 B1 * | 1/2001  | Nishiyama et al. | ..... | 429/99 |
| D450,653 S     | 11/2001 | Hertel et al.    |       |        |
| 6,399,238 B1 * | 6/2002  | Oweis et al.     | ..... | 429/99 |
| D466,478 S     | 12/2002 | Bolstad et al.   |       |        |

(Continued)

**OTHER PUBLICATIONS**

Photographs of “old” Optima battery with a date stamp of Week 47, 1990.

(Continued)

*Primary Examiner*—Rosemary K Tarcza  
(74) *Attorney, Agent, or Firm*—Lathrop & Clark LLP

(57) **CLAIM**

The ornamental design for a battery, as shown and described.

**DESCRIPTION**

FIG. 1 is a top perspective view of a battery according to an exemplary embodiment;

FIG. 2 is a top plan view thereof;

FIG. 3 is a first side elevation view thereof;

FIG. 4 is a second side elevation view thereof;

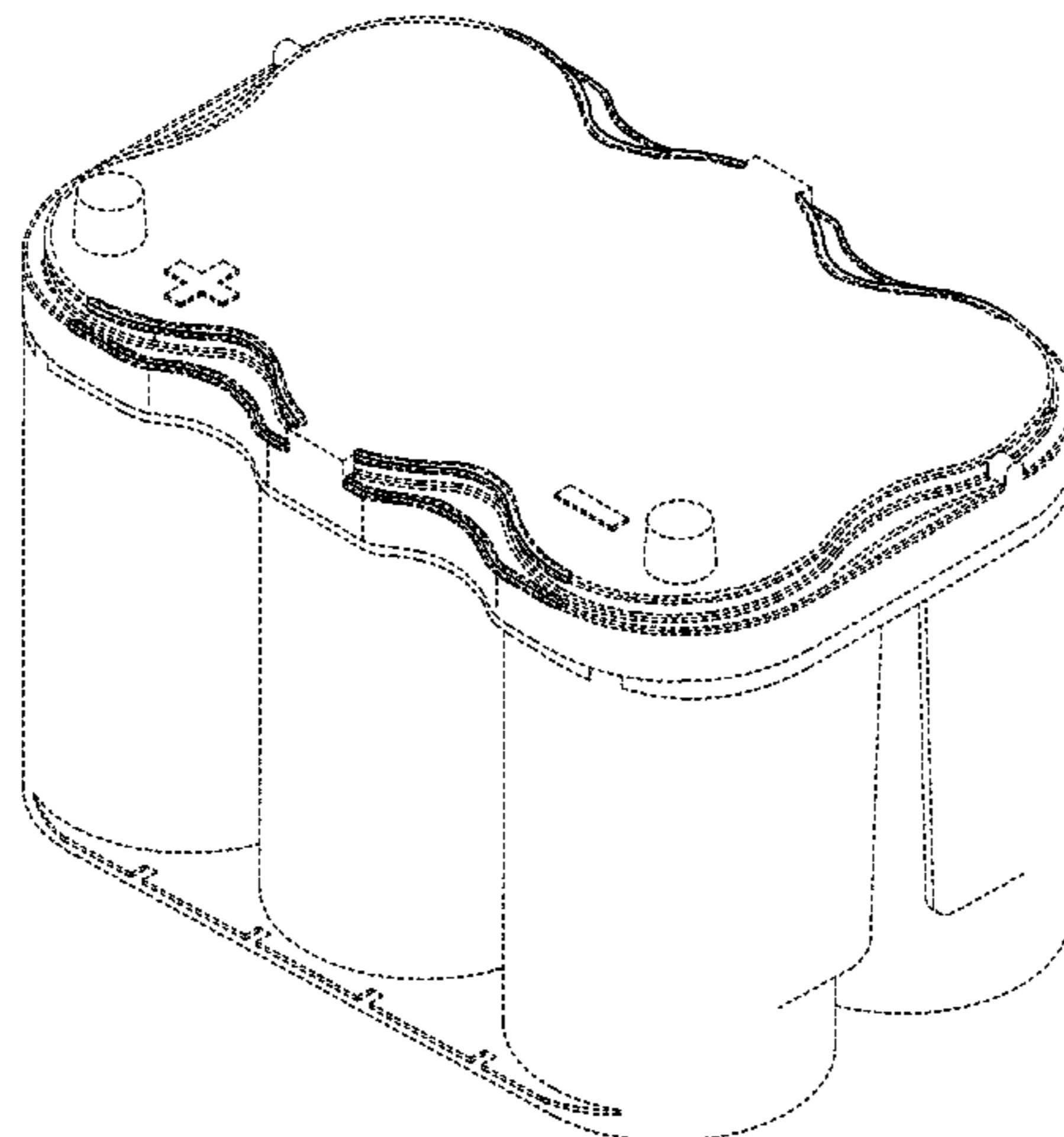
FIG. 5 is a first end elevation view thereof; and,

FIG. 6 is a second end elevation view thereof.

The broken lines shown in FIGS. 1–6 are for illustrative purposes only, and form no part of the claimed design.

The long dash-short dash lines shown in the Figures are for the purpose of illustrating the boundaries of the claimed design and form no part of the claimed design. The bottom view forms no part of the claimed design.

**1 Claim, 6 Drawing Sheets**



# US D610,089 S

Page 2

## U.S. PATENT DOCUMENTS

D491,138 S \* 6/2004 Minato ..... D13/104  
D499,070 S \* 11/2004 Lavington ..... D13/119  
D517,987 S \* 3/2006 Castagnola et al. .... D13/119  
D517,988 S 3/2006 Ihde et al.  
D528,502 S \* 9/2006 Fleetwood ..... D13/103  
D531,117 S \* 10/2006 Schrick et al. .... D13/103  
7,287,648 B2 \* 10/2007 Foreman et al. .... 206/703  
D559,778 S \* 1/2008 Tsuzuki et al. .... D13/110  
D562,229 S \* 2/2008 Peters ..... D13/103  
D562,765 S \* 2/2008 Tsuzuki et al. .... D13/110  
7,332,243 B2 2/2008 Cummins, et al.  
2003/0059676 A1 \* 3/2003 Rodriguez et al. .... 429/164  
2004/0170888 A1 \* 9/2004 Cummins et al. .... 429/99  
2004/0247996 A1 \* 12/2004 Smith et al. .... 429/86

2005/0069762 A1 3/2005 Daley et al.

## OTHER PUBLICATIONS

Optima Batteries brochure entitled "The Ultimate Power Source" dated Mar. 2007.

U.S. Appl. No. 29/302,069, filed Jan. 9, 2008, Mack.

U.S. Appl. No. 29/320,870, filed Jul. 7, 2008, Mack.

U.S. Appl. No. 29/302,070, filed Jan. 9, 2008, Mack.

U.S. Appl. No. 29/302,071, filed Jan. 9, 2008, Mack.

U.S. Appl. No. 29/302,072, filed Jan. 9, 2008, Mack.

U.S. Appl. No. 29/320,414, filed Jun. 26, 2008, Mack.

U.S. Appl. No. 29/320,780, filed Jul. 3, 2008, Mack.

U.S. Appl. No. 29/320,869, filed Jul. 7, 2008, Mack.

U.S. Appl. No. 29/327,178, filed Oct. 31, 2008, Mack.

U.S. Appl. No. 29/327,181, filed Oct. 31, 2008, Mack.

U.S. Appl. No. 29/327,182, filed Oct. 31, 2008, Mack.

U.S. Appl. No. 29/331,896, filed Feb. 4, 2009, Mack.

\* cited by examiner

FIG. 1

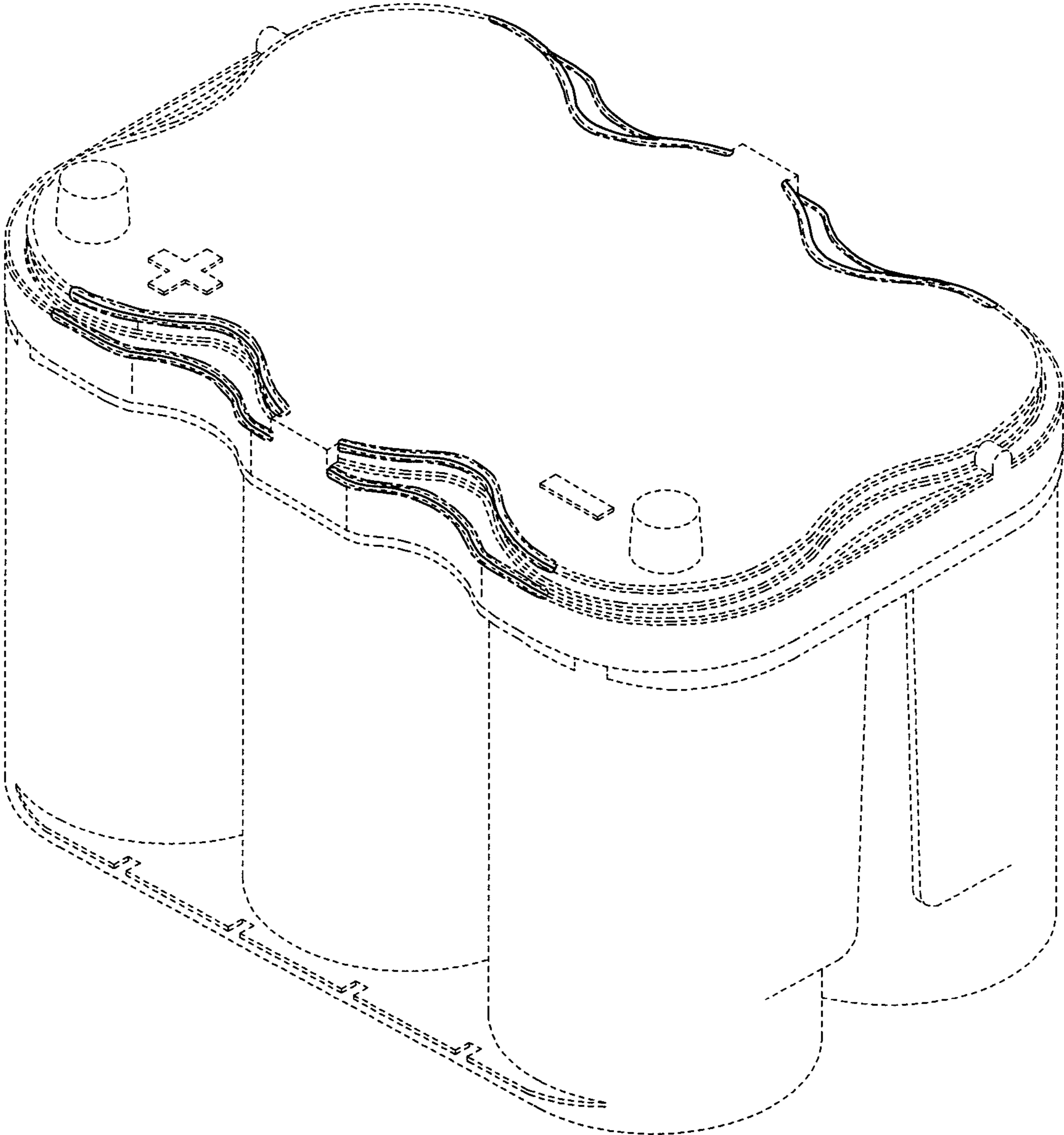


FIG. 2

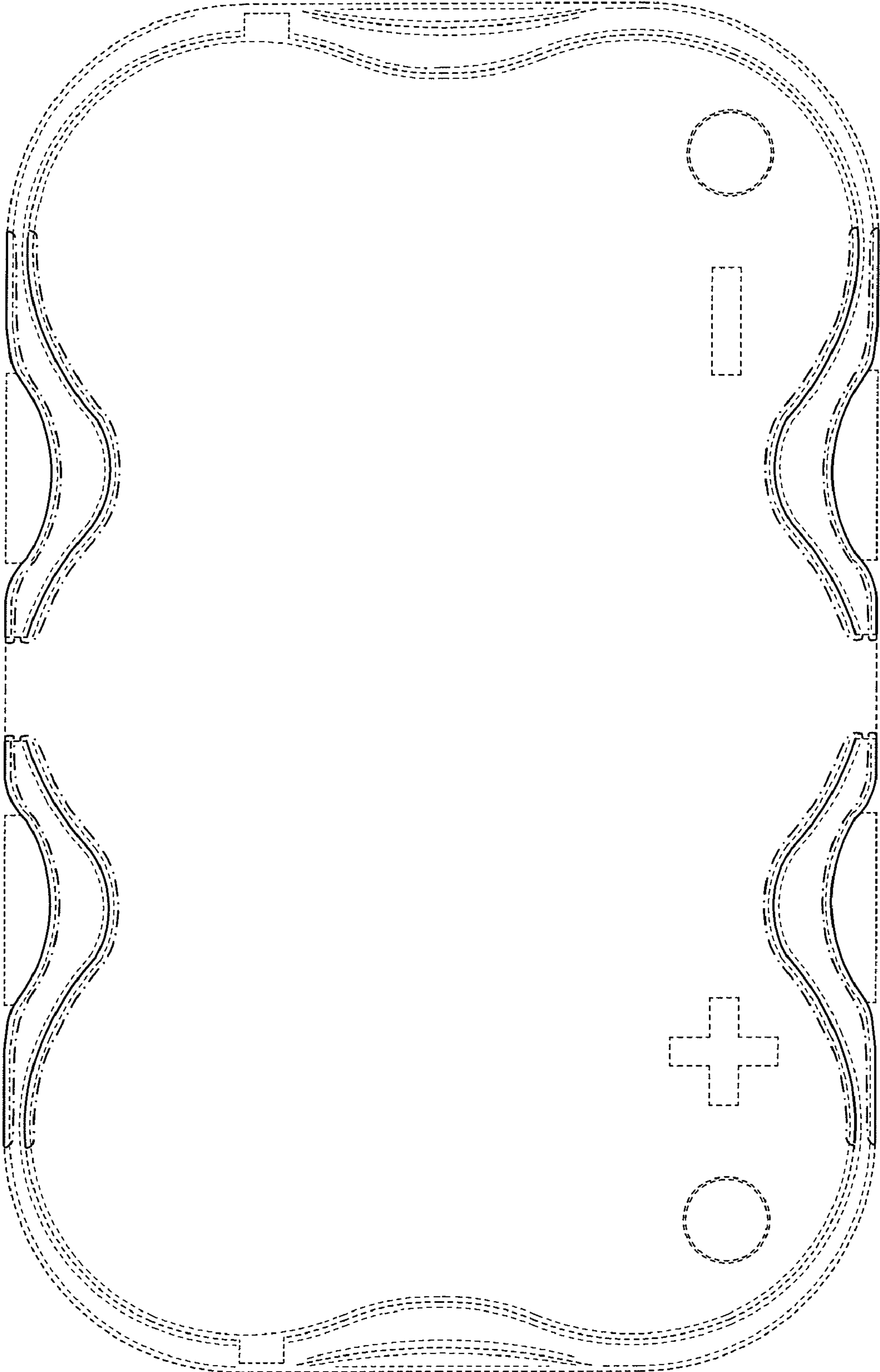
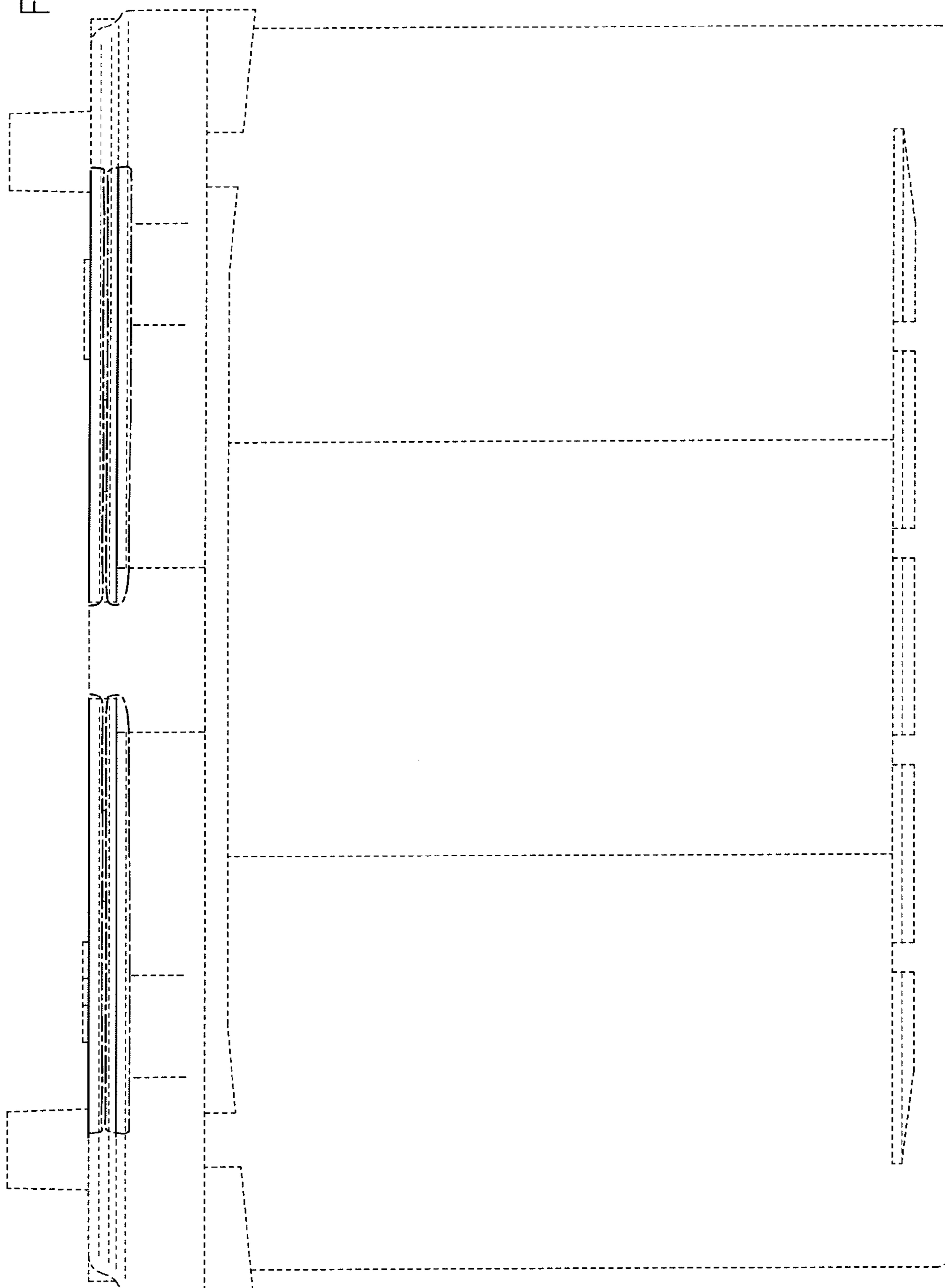


FIG. 3



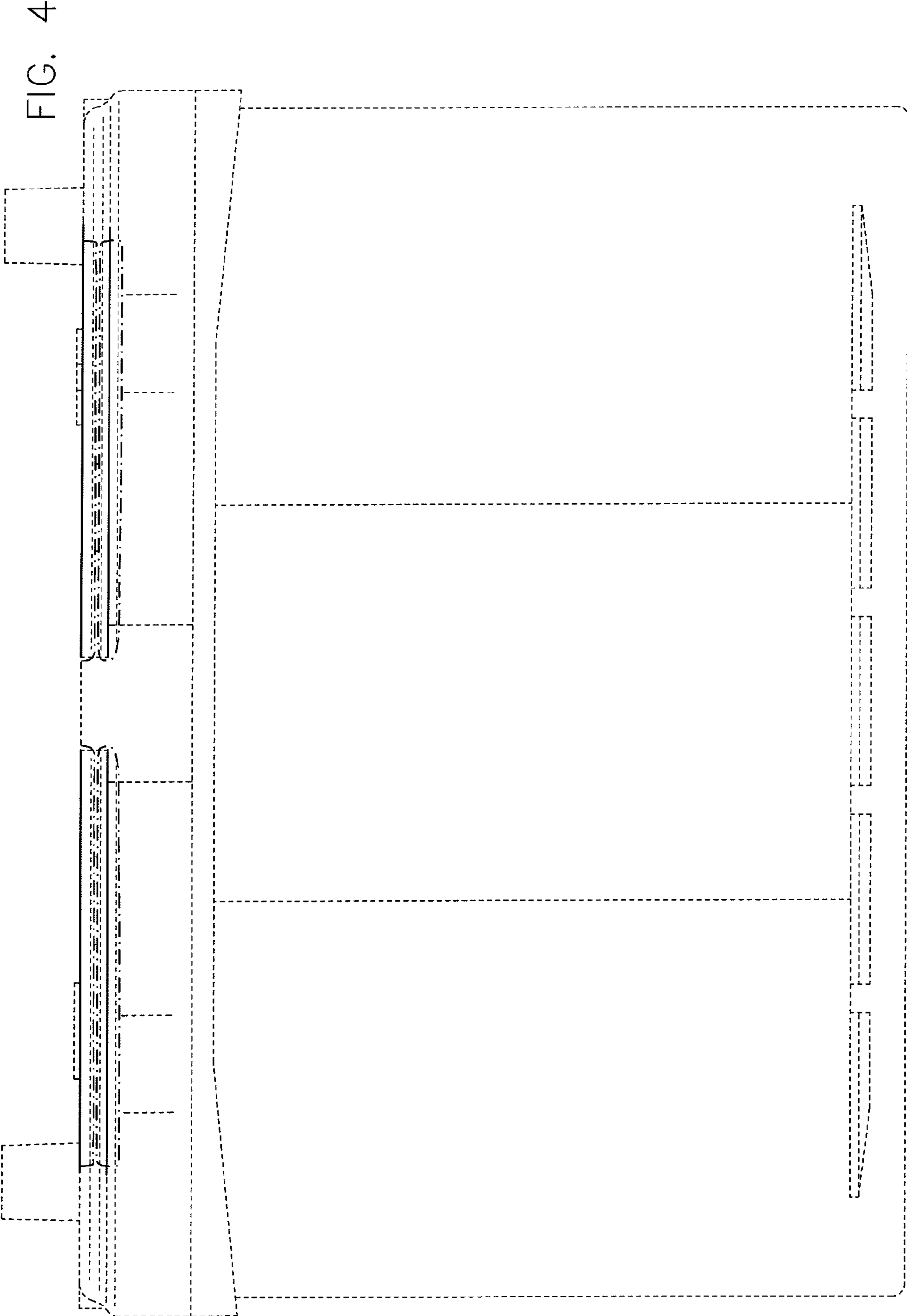


FIG. 5

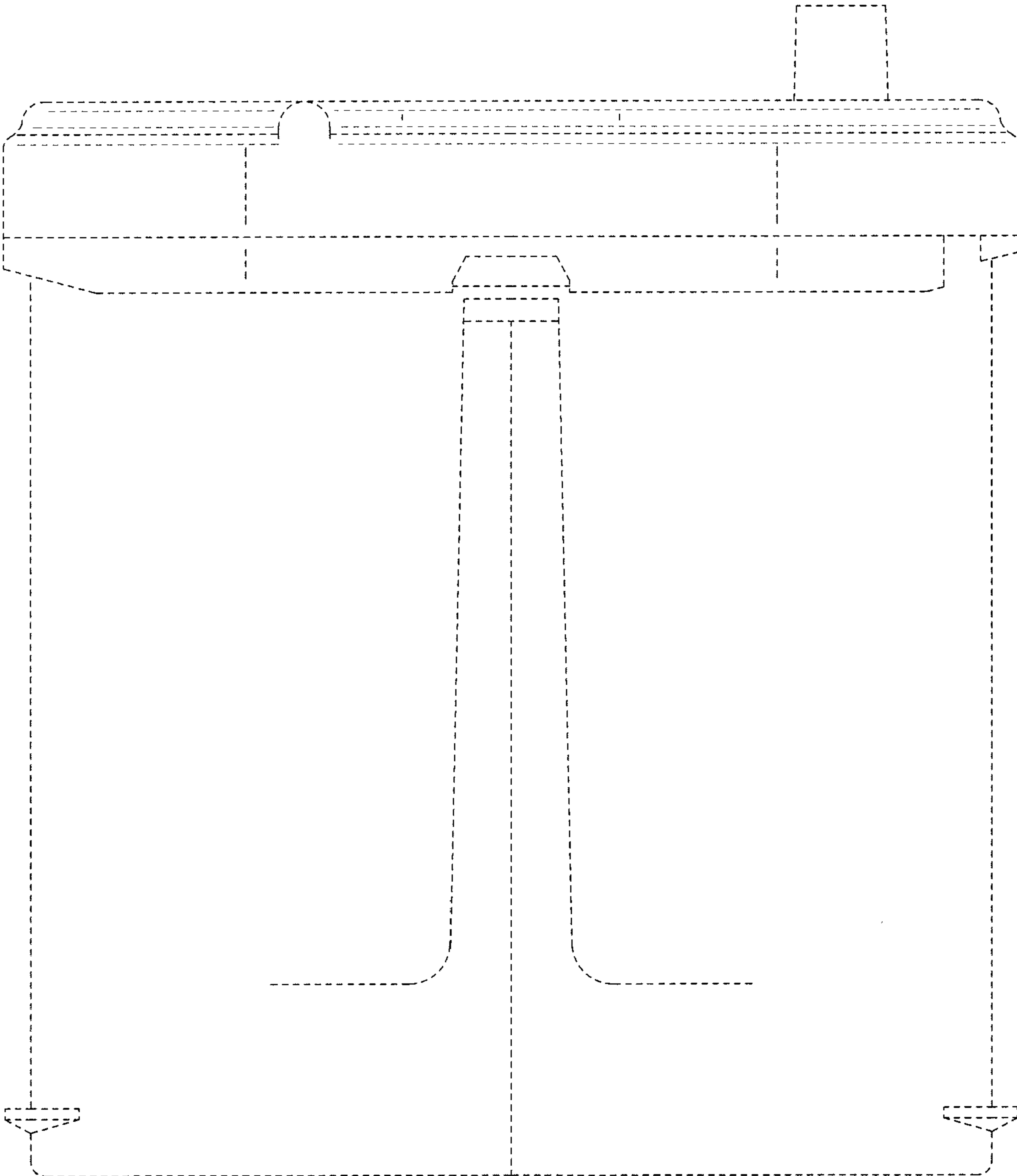


FIG. 6

