



US00D610088S

(12) **United States Design Patent**
Becker et al.

(10) **Patent No.:** **US D610,088 S**

(45) **Date of Patent:** **** Feb. 16, 2010**

(54) **ELECTRICAL ALTERNATOR**

(75) Inventors: **James Becker**, Crystal Lake, IL (US);
Ninos Canon, Niles, IL (US)

(73) Assignee: **C.E. Niehoff & Co.**, Evanston, IL (US)

(**) Term: **14 Years**

(21) Appl. No.: **29/312,574**

(22) Filed: **Oct. 29, 2008**

(51) **LOC (9) Cl.** **13-01**

(52) **U.S. Cl.** **D13/114**

(58) **Field of Classification Search** D13/114,
D13/101, 112, 122, 199; 290/36 R, 46; 310/10,
310/42, 43, 68 D, 75 R, 89, 114, 231
See application file for complete search history.

(56) **References Cited**

U.S. PATENT DOCUMENTS

D190,584 S	*	6/1961	Hallenbeck et al.	D13/114
D268,022 S	*	2/1983	Lenz et al.	D13/122
4,546,280 A	*	10/1985	Pfluger	310/68 D
D314,742 S	*	2/1991	Sieber	D13/114
D398,285 S		9/1998	Becker et al.		
D398,286 S		9/1998	Becker et al.		
5,914,549 A	*	6/1999	Adachi et al.	310/89
D425,020 S		5/2000	Becker et al.		
D467,541 S	*	12/2002	Hemphill	D13/114
D548,696 S		8/2007	Pourkermani et al.		
D563,870 S		3/2008	Naghshineh		
D563,871 S		3/2008	Becker et al.		

OTHER PUBLICATIONS

U.S. Appl. No. 29/307,748, filed May 8, 2008, Pourkermani.
C.E. Niehoff & Co. Brushless Alternators Product Catalog, 2001, pp.
6-23, U.S.A., U.K.
C.E. Niehoff & Co. Brushless Alternators, 2008 <http://www.ceniehoff.com>.

* cited by examiner

Primary Examiner—Prabhakar Deshmukh
Assistant Examiner—Derrick Holland
(74) *Attorney, Agent, or Firm*—Law Offices of Michael M.
Ahmadshahi

(57) **CLAIM**

The ornamental design for an electrical alternator, as shown and described.

DESCRIPTION

FIG. 1 is a front view of an electrical alternator including an optional removable cover plate according to the present invention.

FIG. 2 is a rear view thereof.

FIG. 3 is a first side view thereof.

FIG. 4 is a second side view thereof.

FIG. 5 is a top view thereof.

FIG. 6 is a bottom view thereof.

FIG. 7 is a first isometric view thereof.

FIG. 8 is a second isometric view thereof.

FIG. 9 is the front view of the electrical alternator according to FIG. 1 without the cover plate.

FIG. 10 is the rear view of the electrical alternator according to FIG. 2 without the cover plate.

FIG. 11 is the first side view of the electrical alternator according to FIG. 3 without the cover plate.

FIG. 12 is the second side view of the electrical alternator according to FIG. 4 without the cover plate.

FIG. 13 is the top view of the electrical alternator according to FIG. 5 without the cover plate.

FIG. 14 is the bottom view of the electrical alternator according to FIG. 6 without the cover plate.

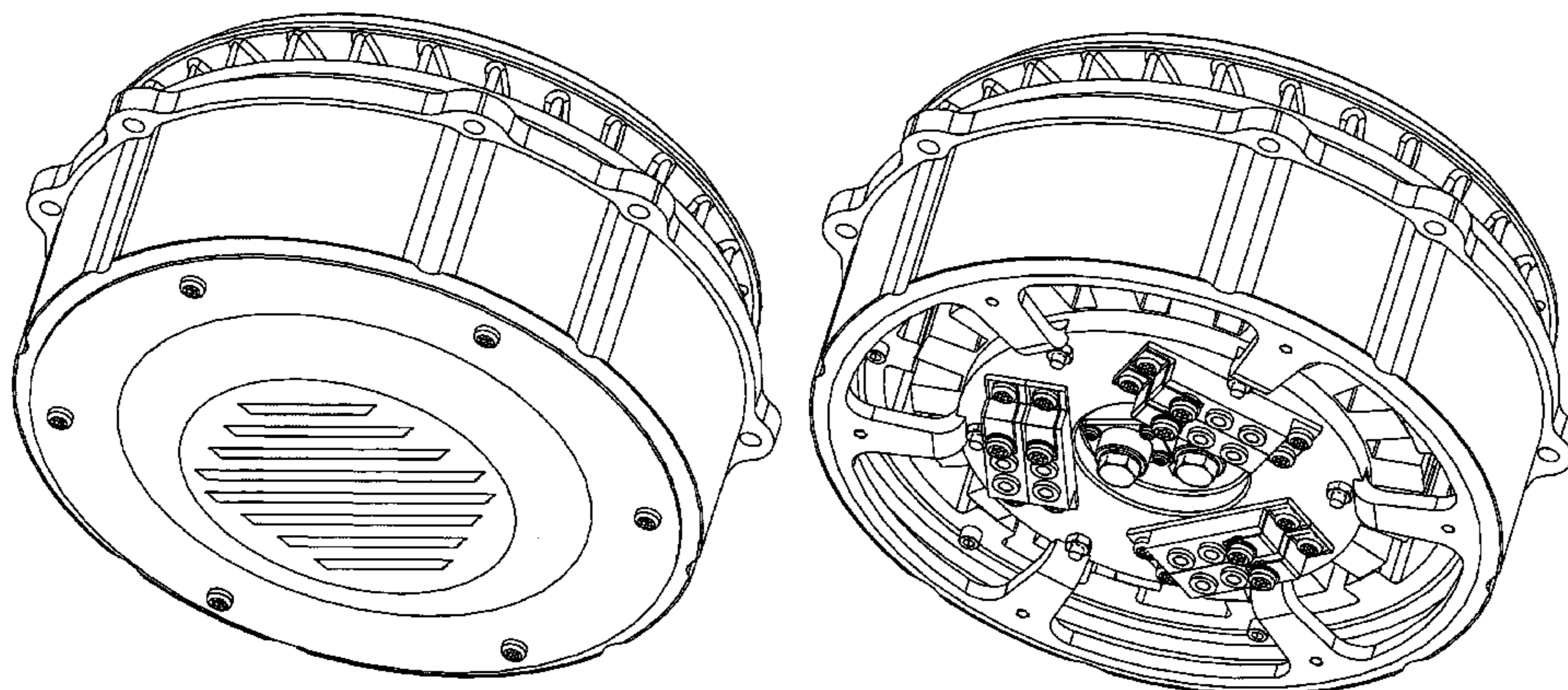
FIG. 15 is the first isometric view of the electrical alternator according to FIG. 7 without the cover plate; and,

FIG. 16 is the second isometric view of the electrical alternator according to FIG. 8 without the cover plate.

The ornamental design which is claimed is shown in solid lines in the drawings. Broken lines, if any, in the drawings are for illustrative purposes only and form no part of the claimed design.

The broken lines shown represent unclaimed subject matter and form no part of the claimed design.

1 Claim, 16 Drawing Sheets



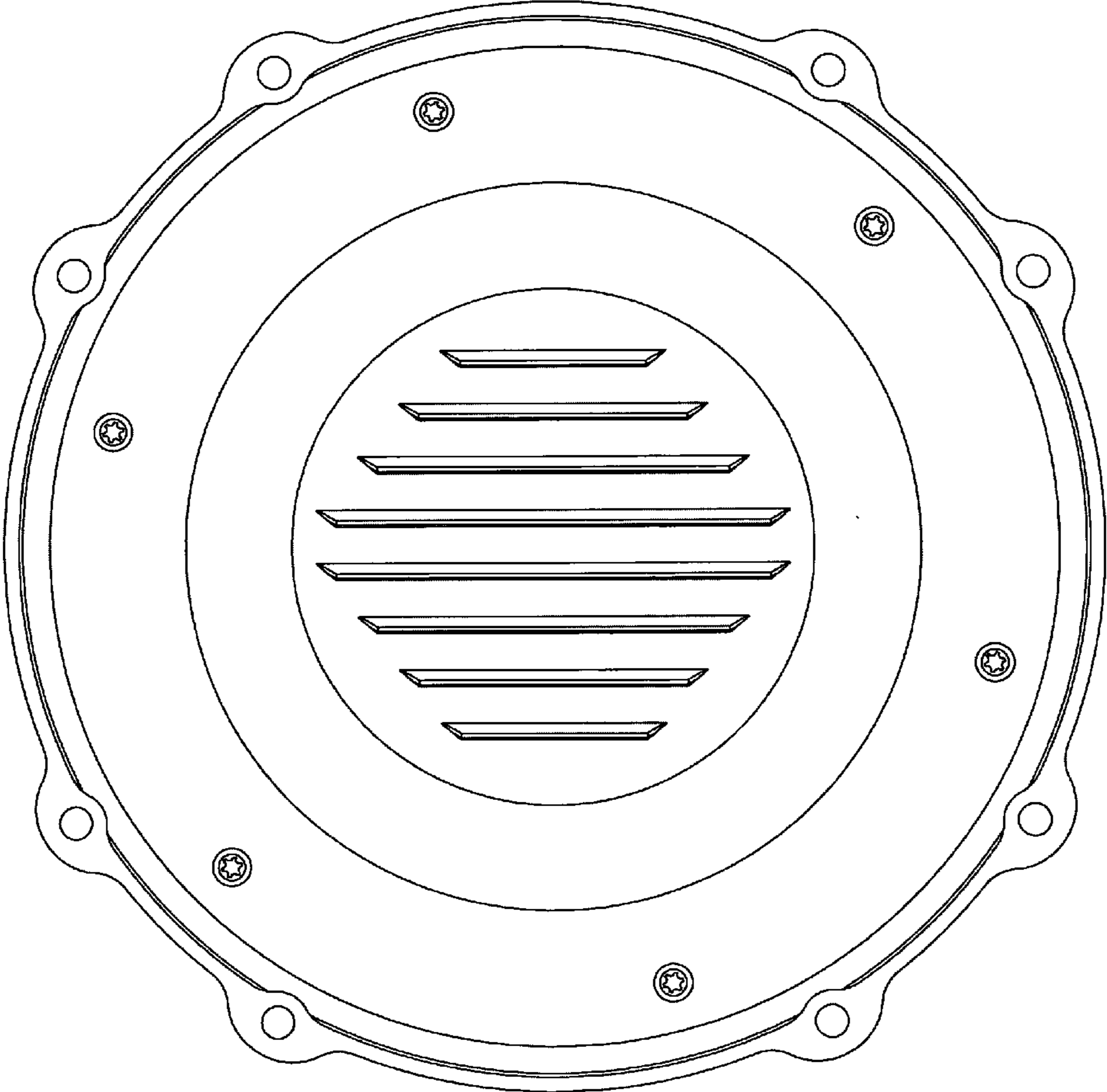


FIG. 1

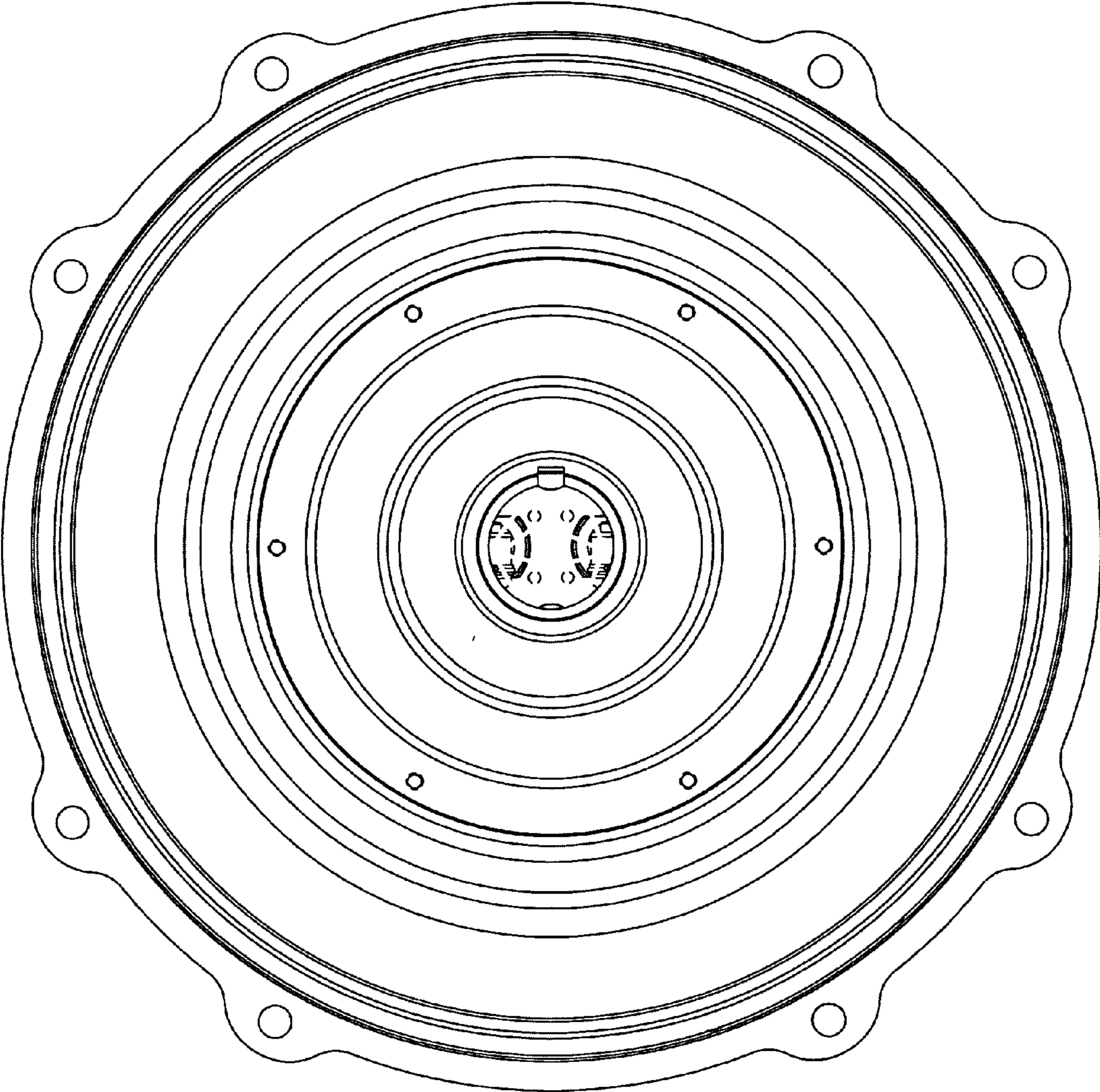


FIG. 2

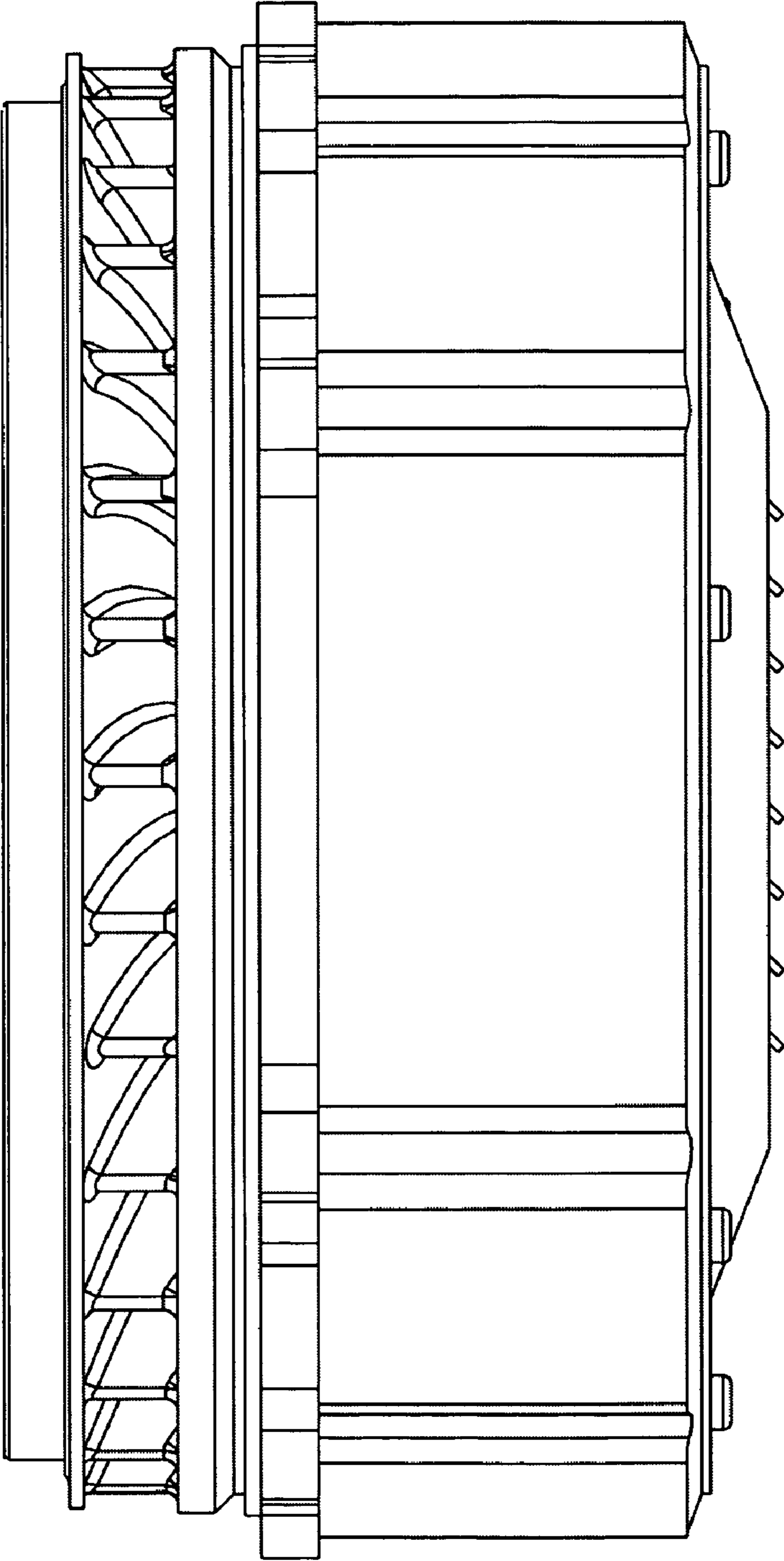


FIG. 3

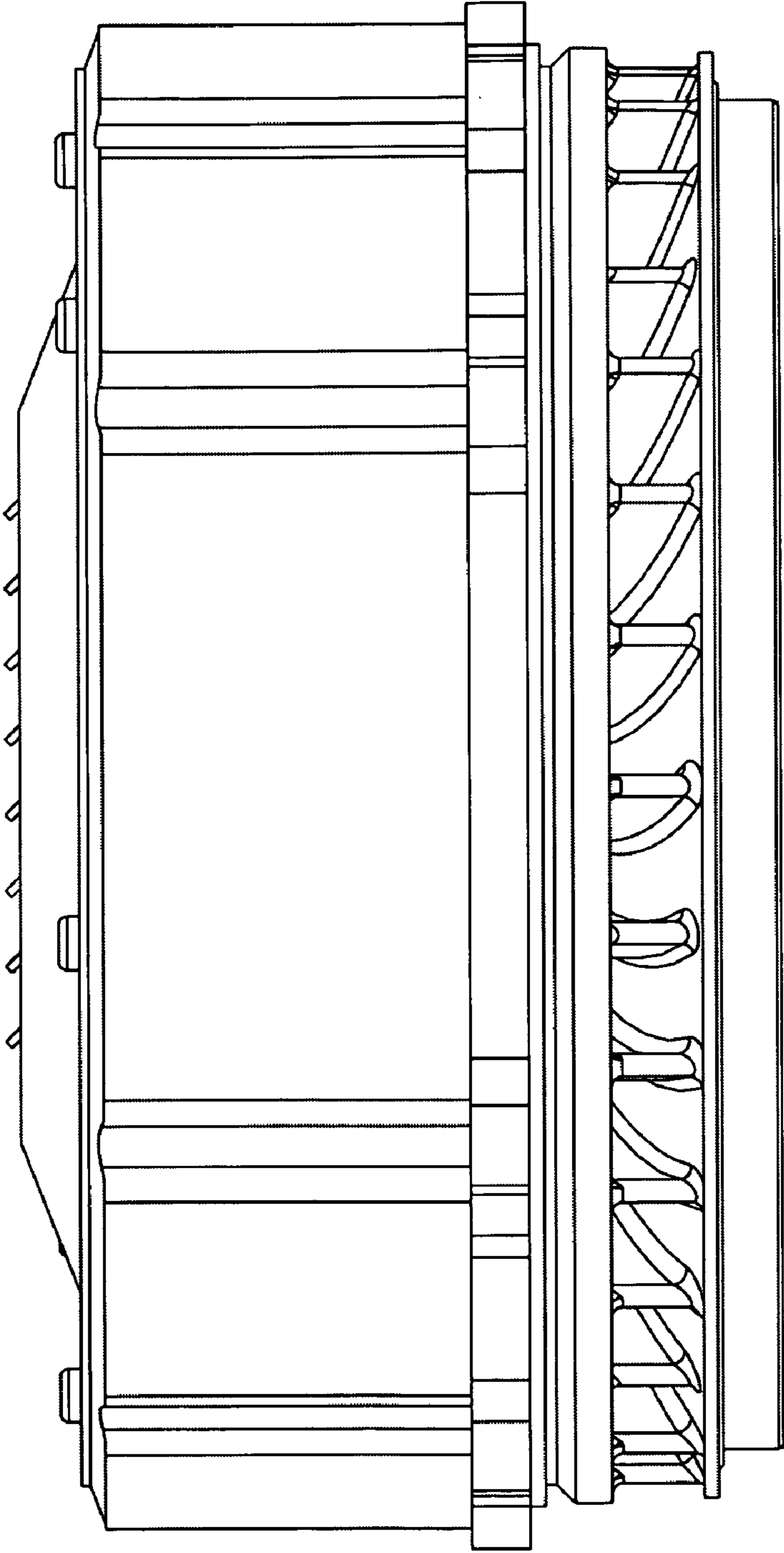


FIG. 4

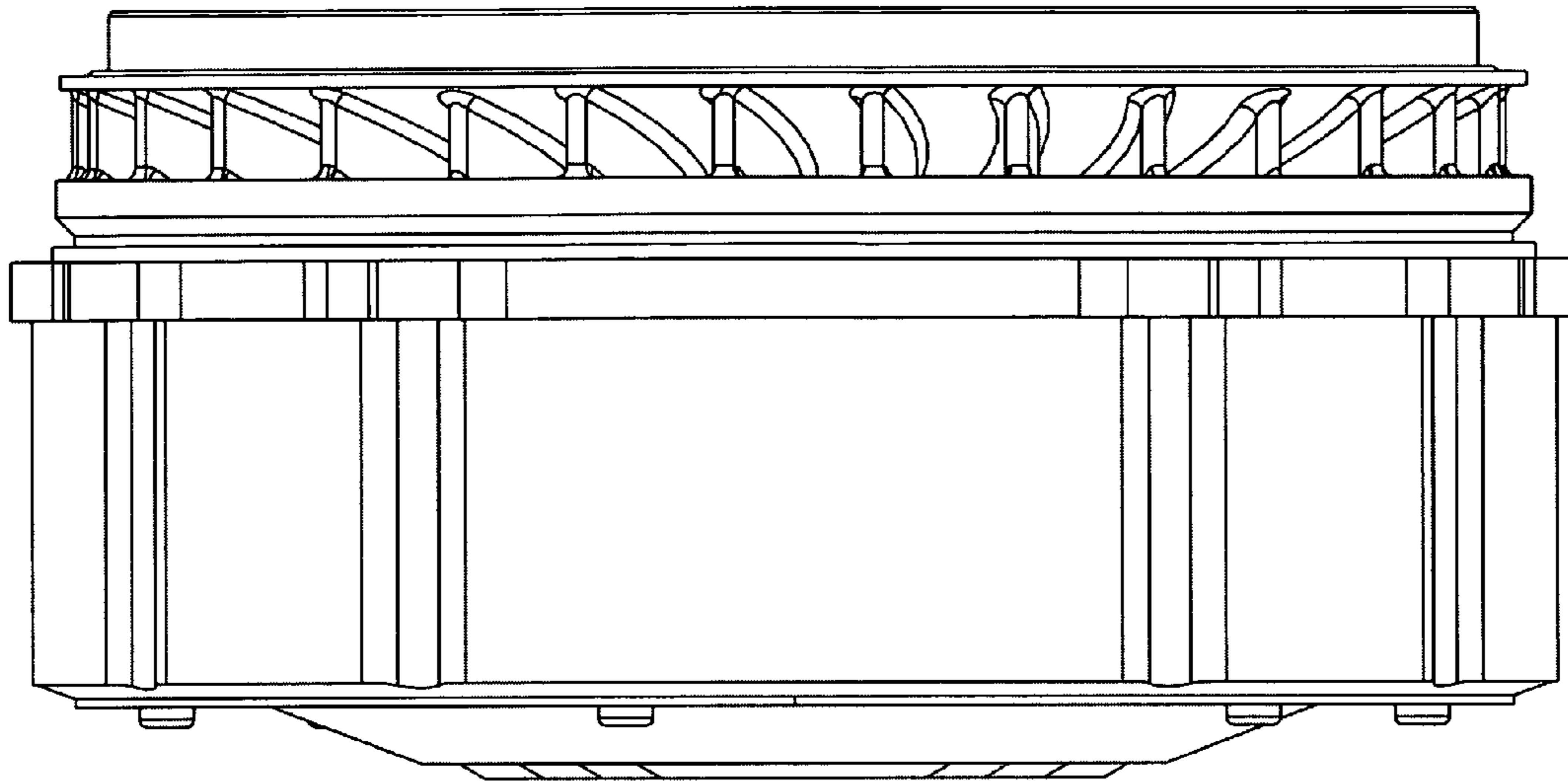


FIG. 5

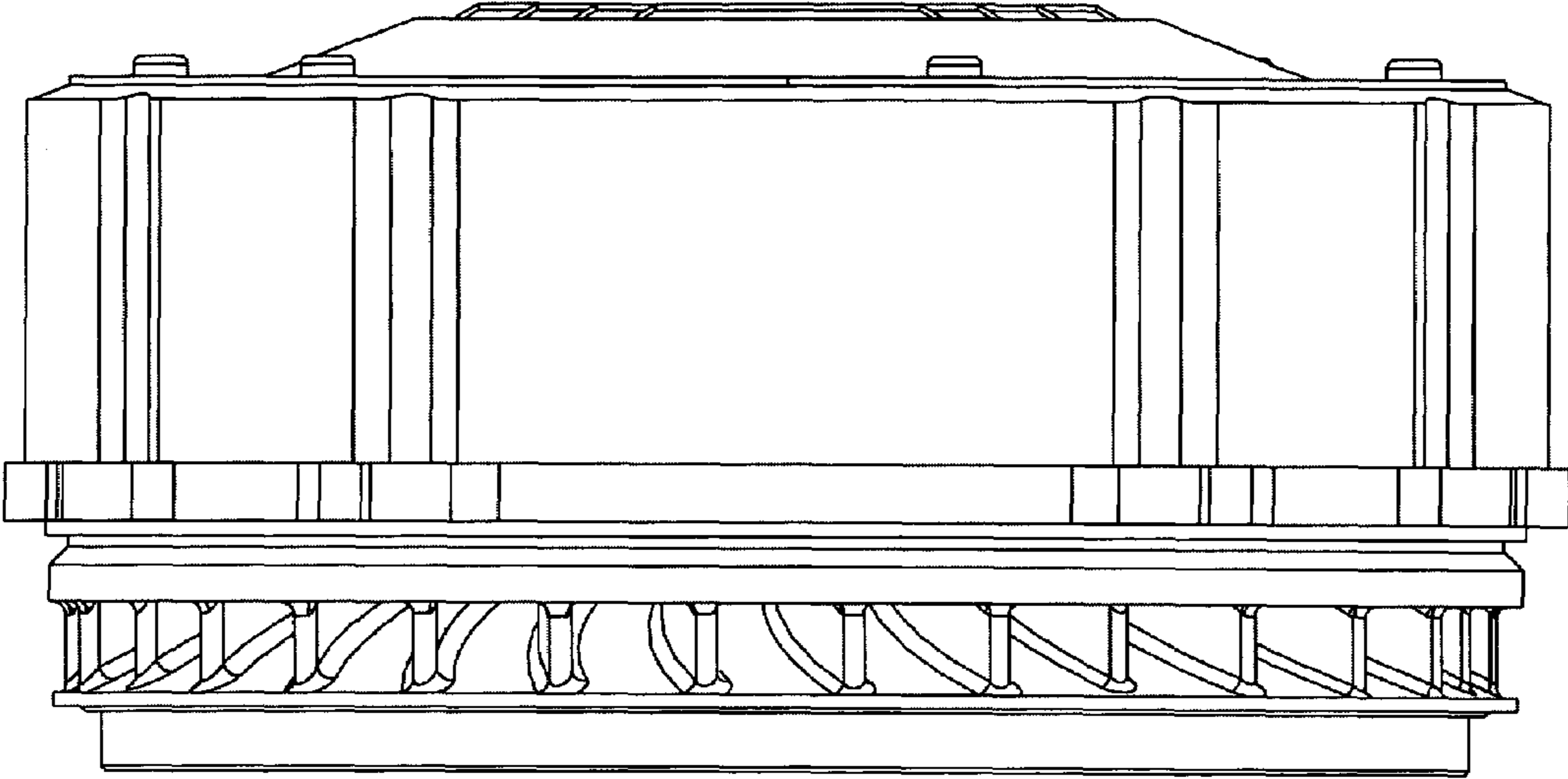


FIG. 6

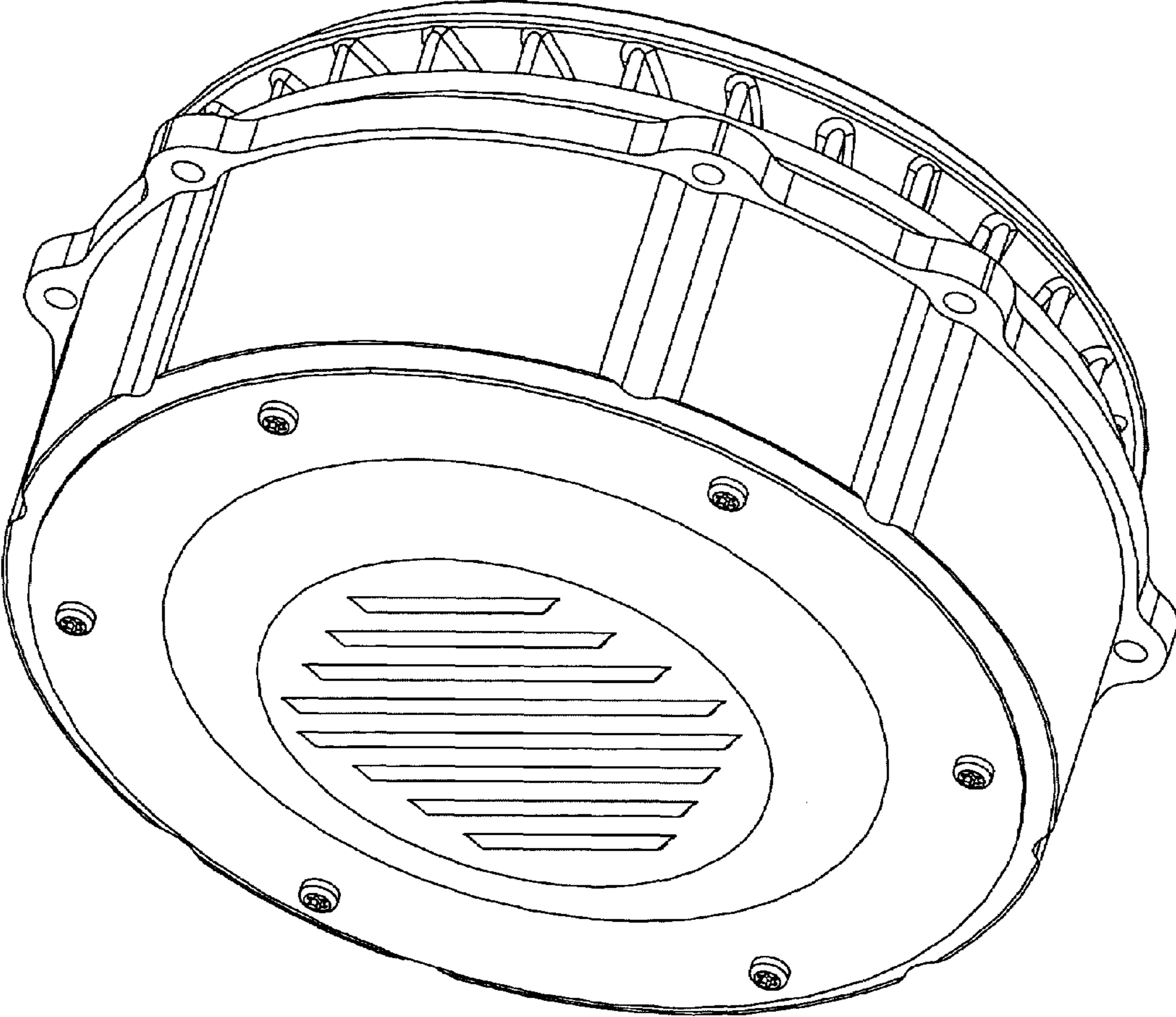


FIG. 7

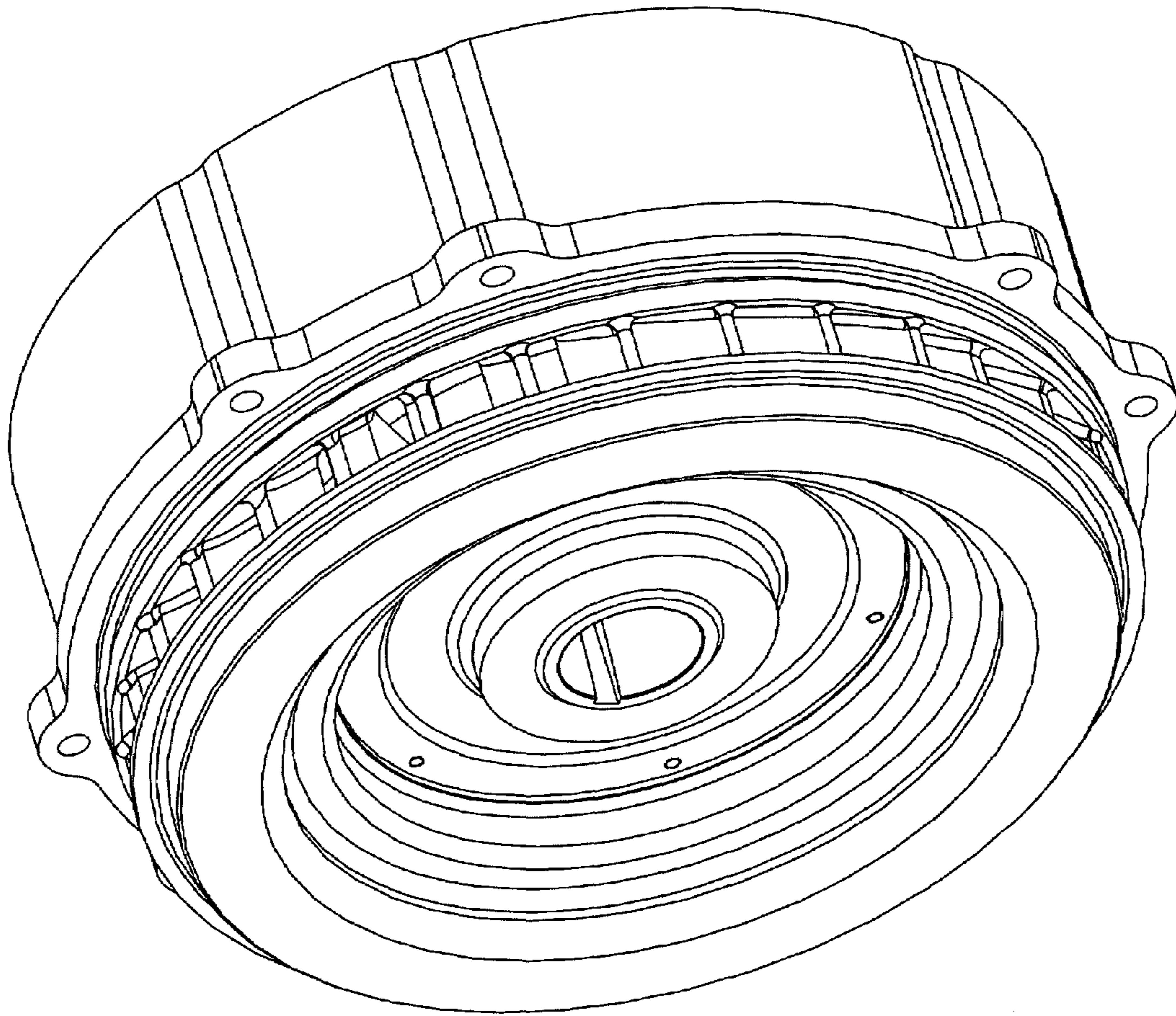


FIG. 8

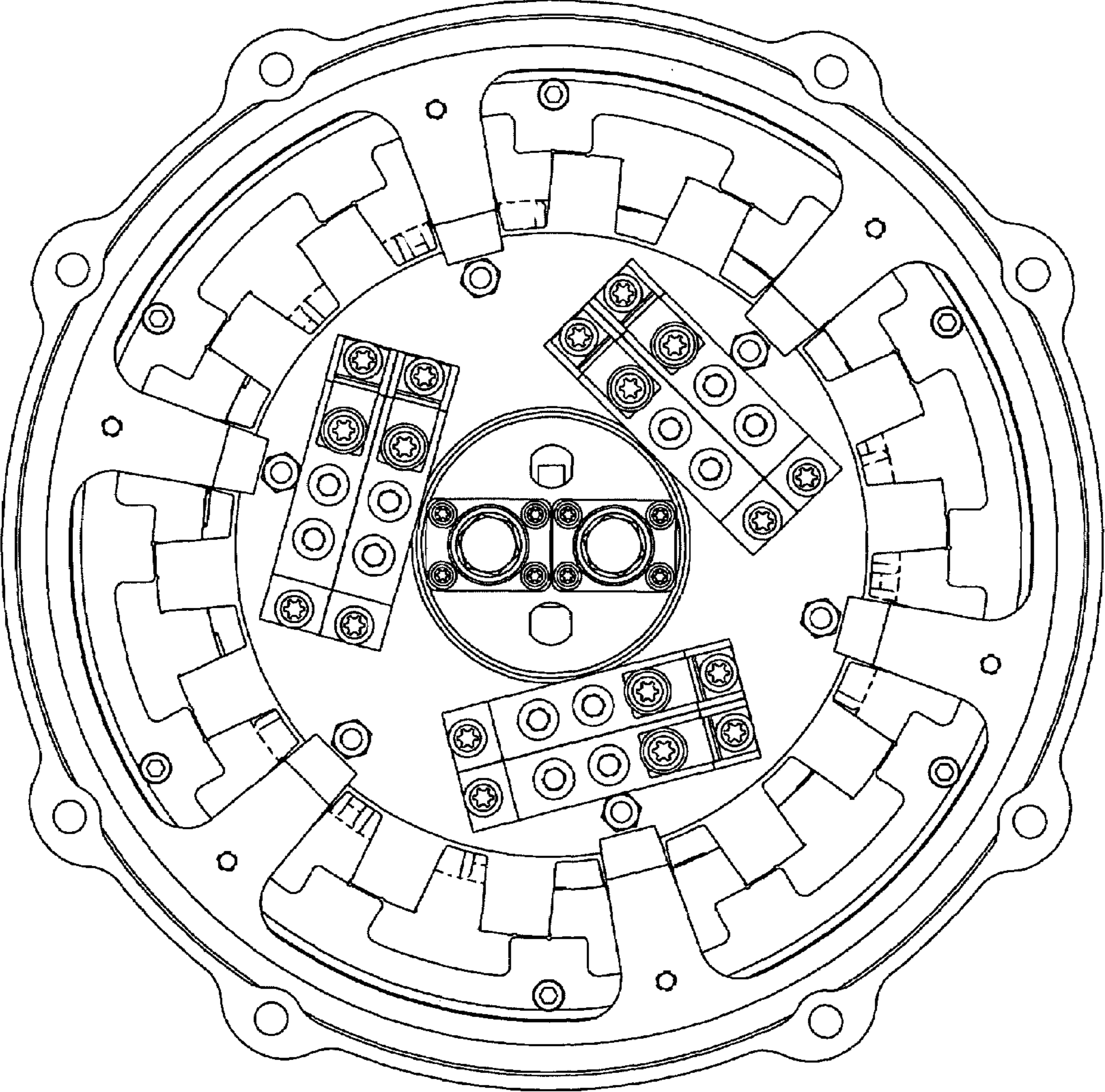


FIG. 9

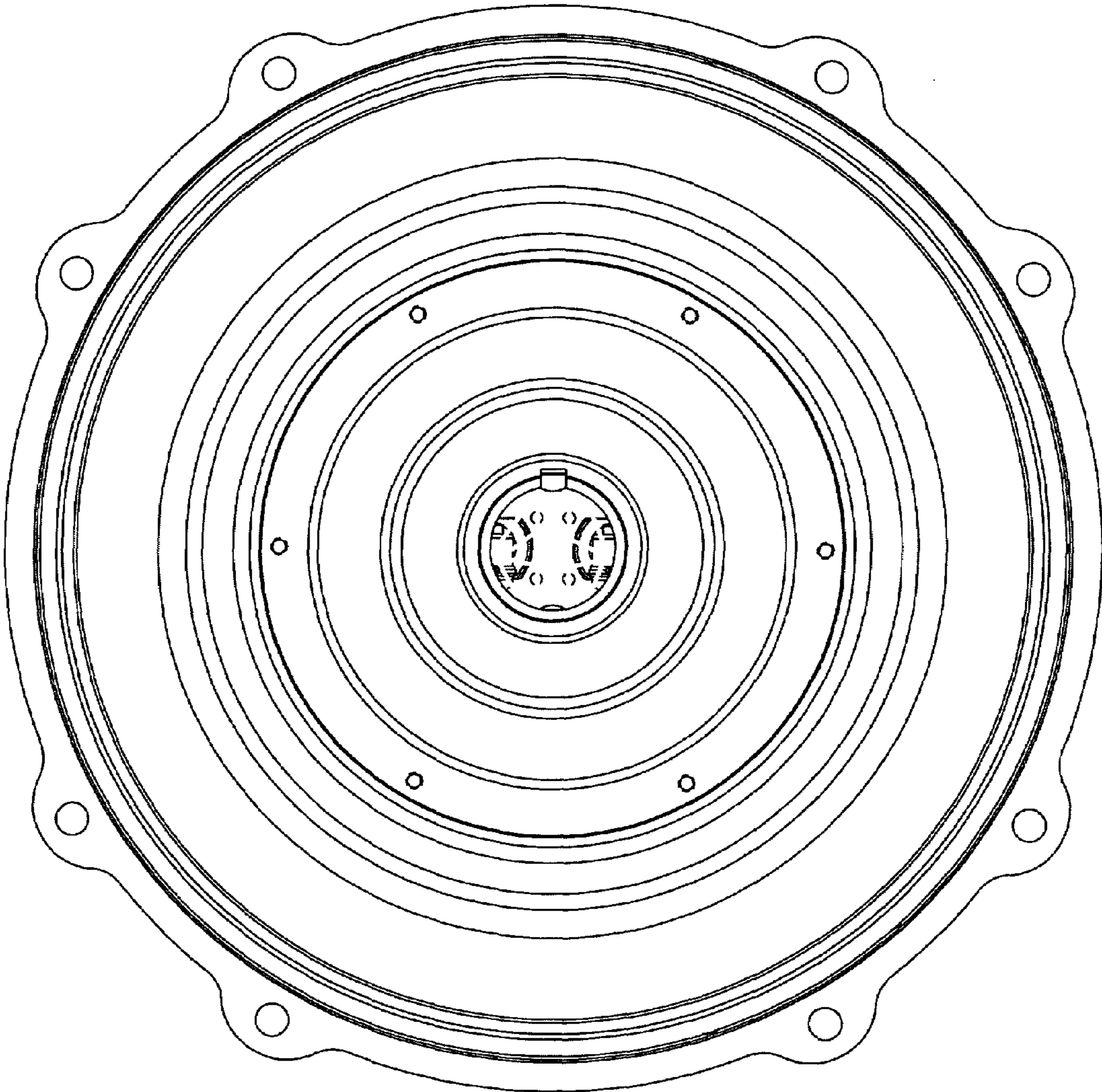


FIG. 10

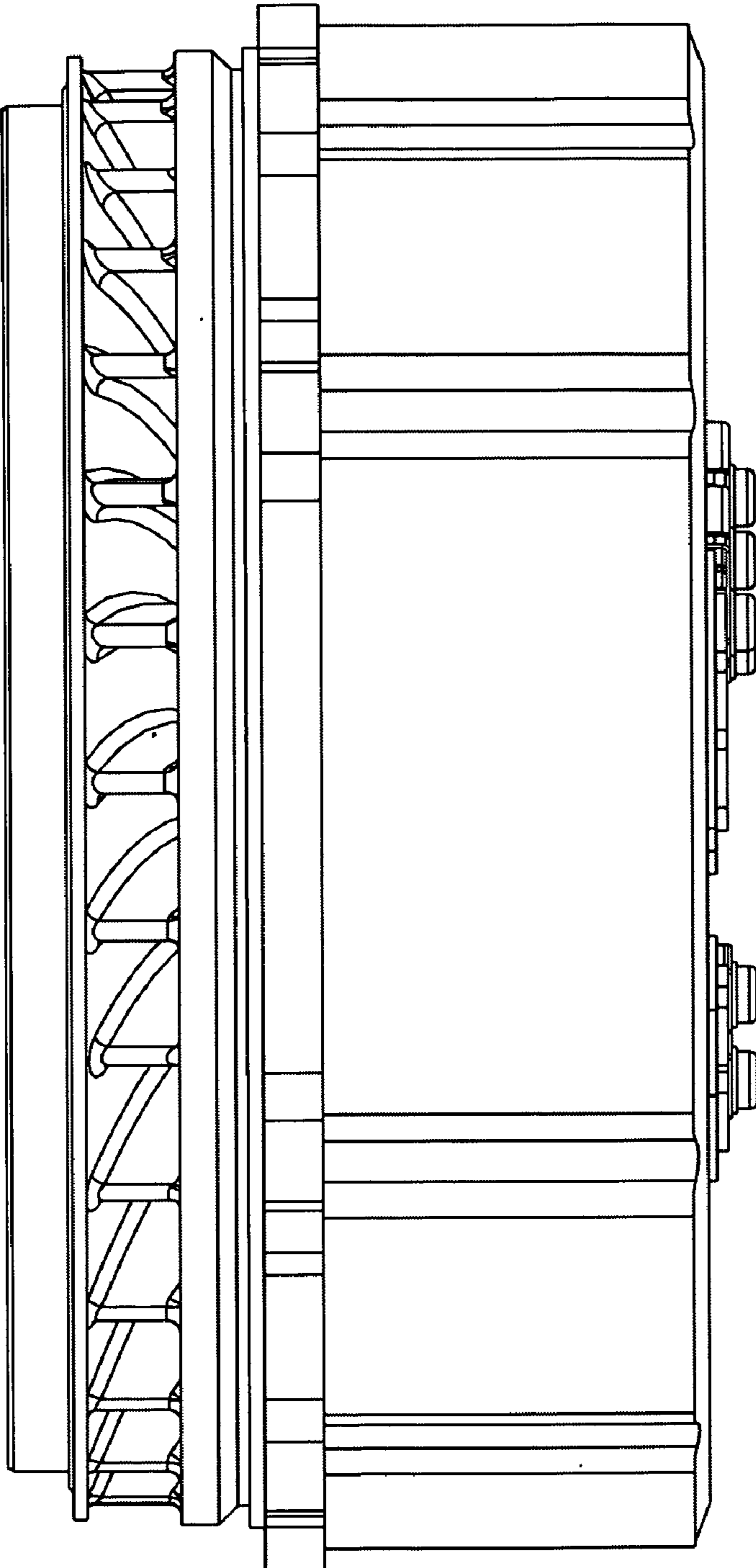


FIG. 11

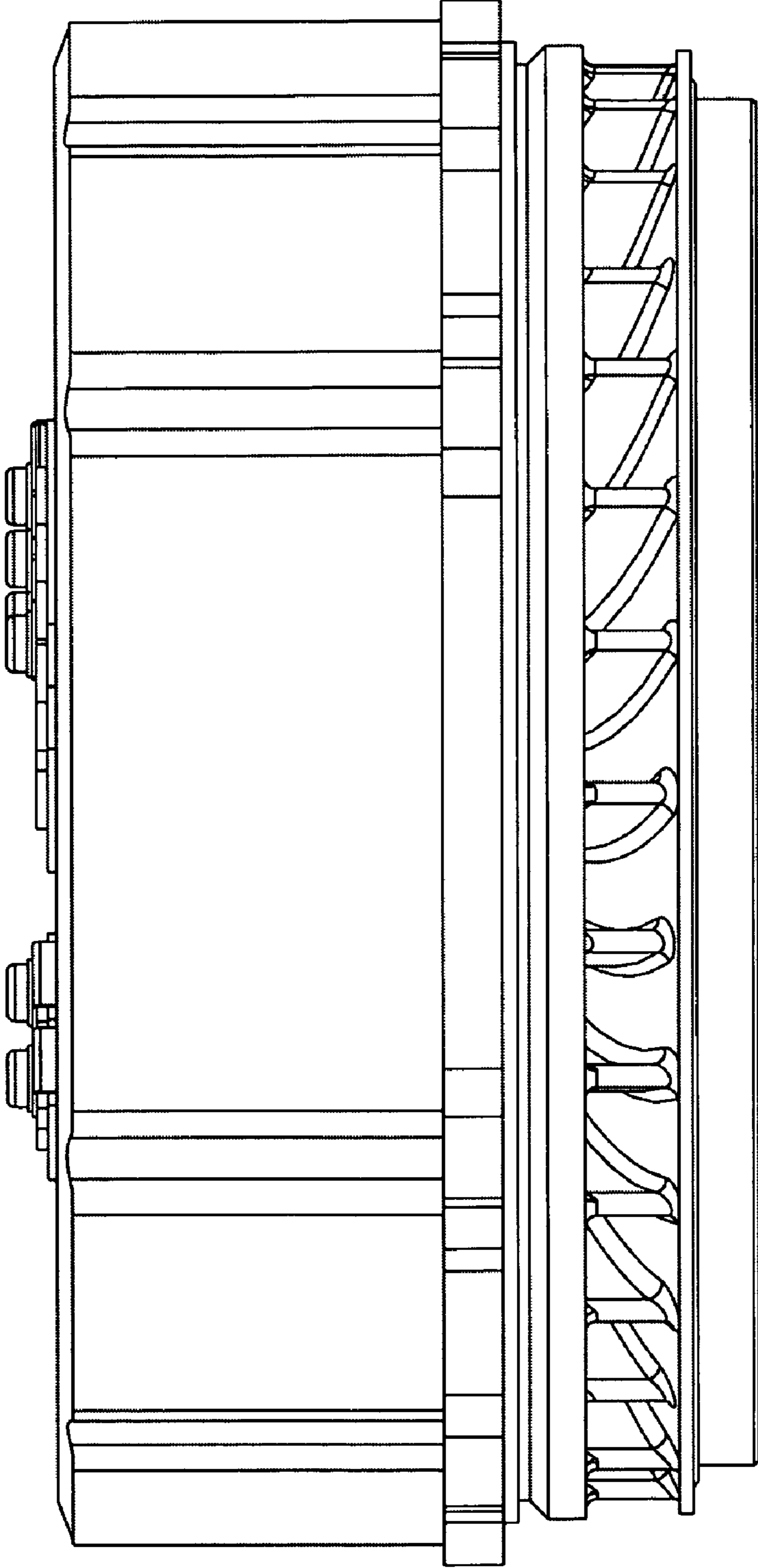


FIG. 12

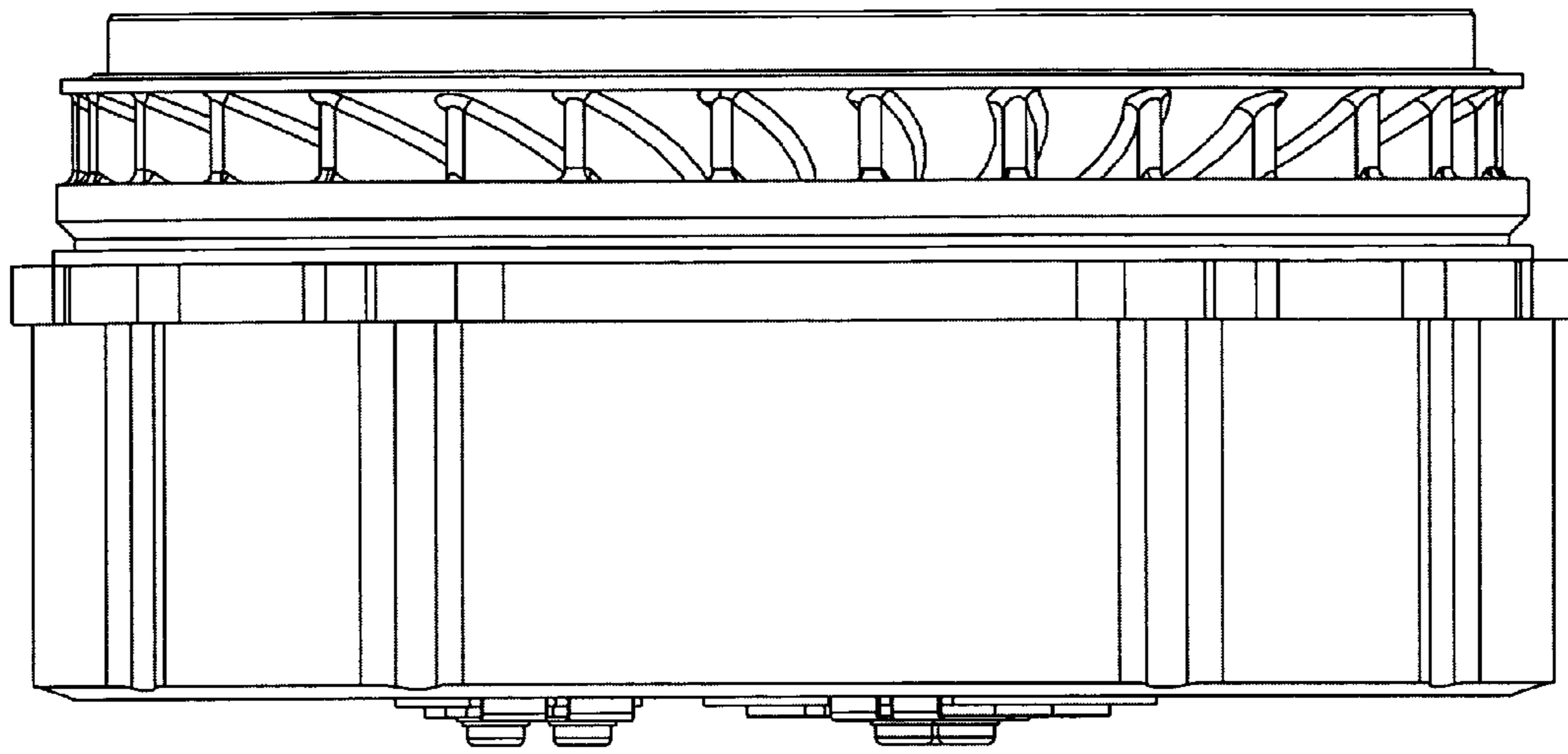


FIG. 13

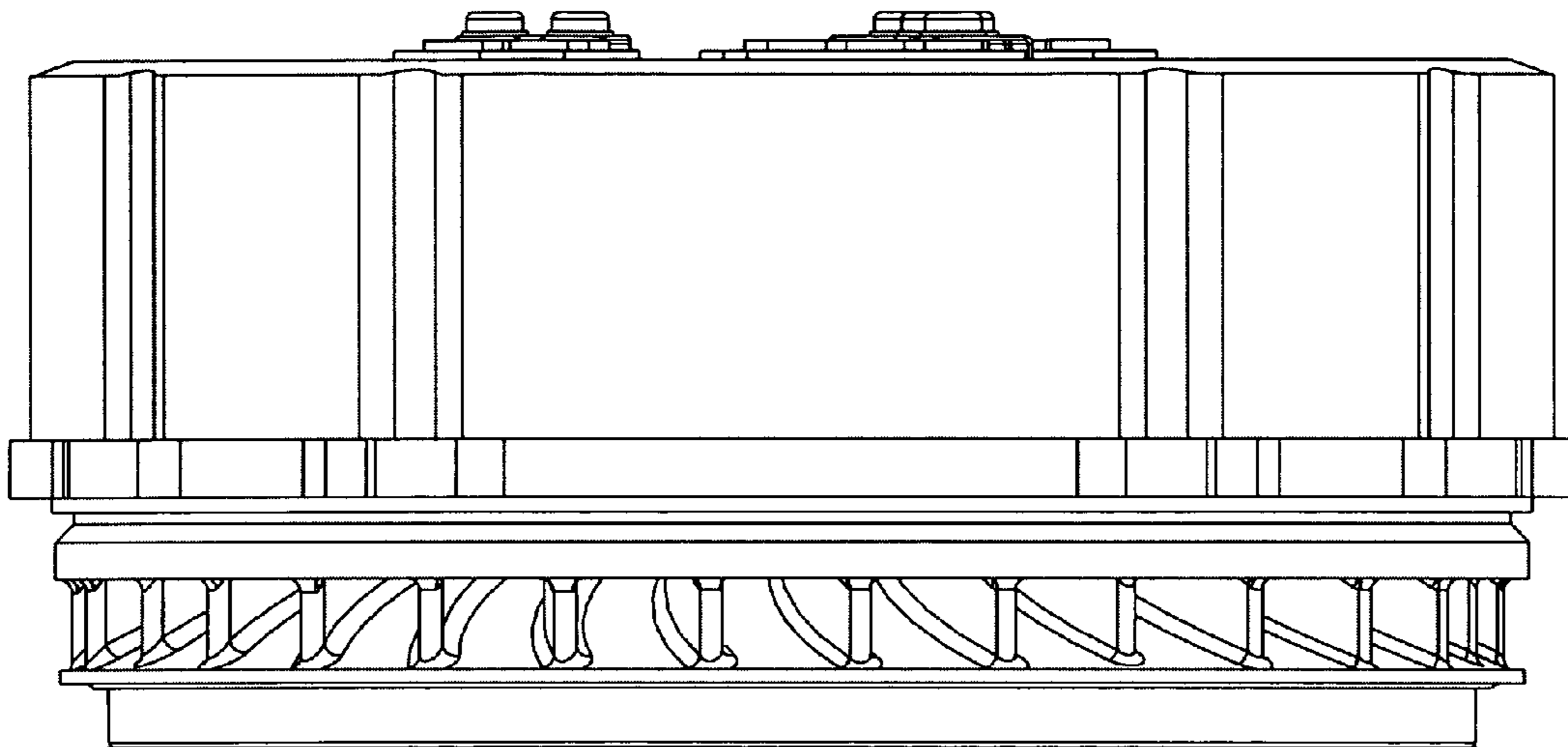


FIG. 14

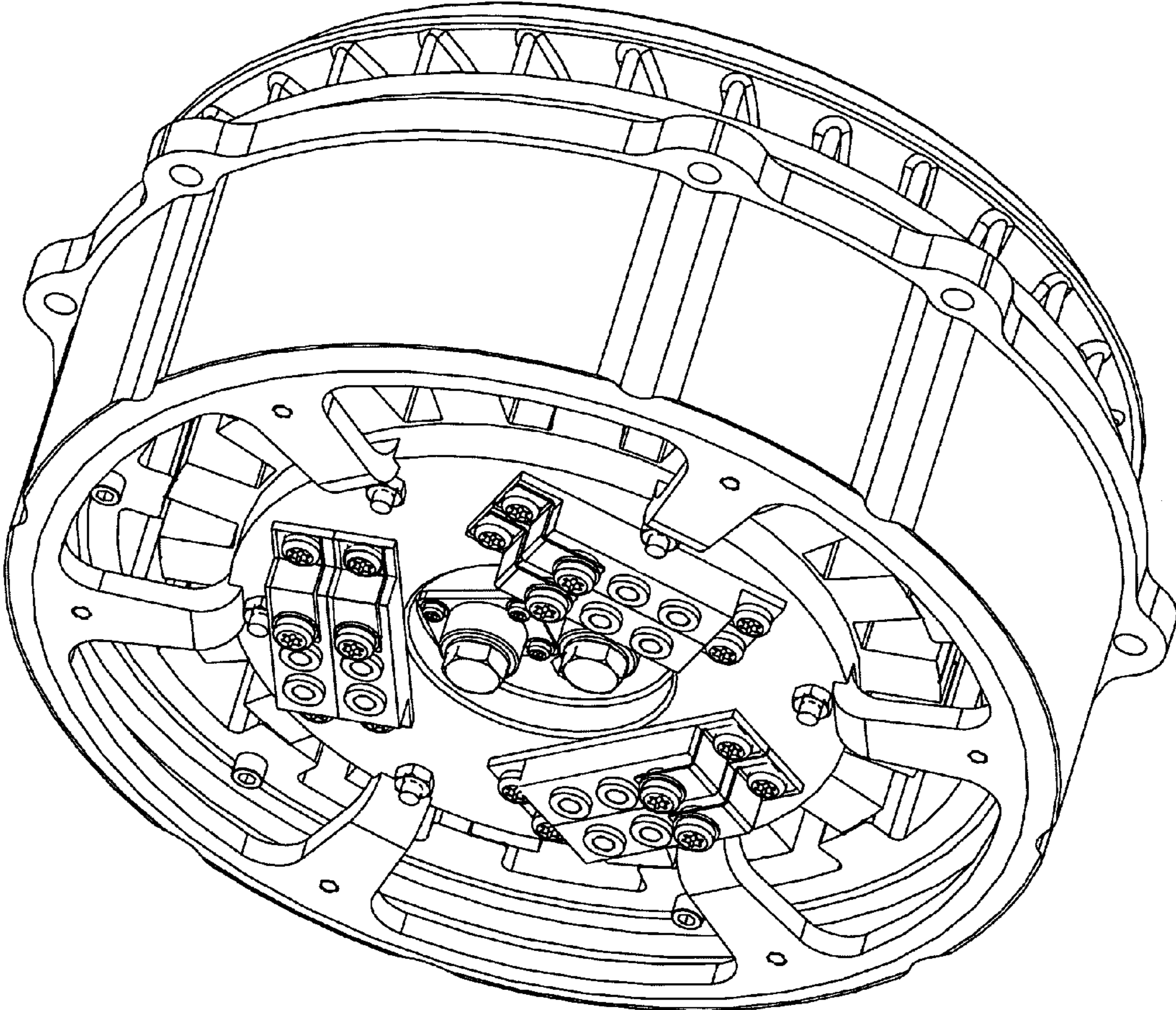


FIG. 15

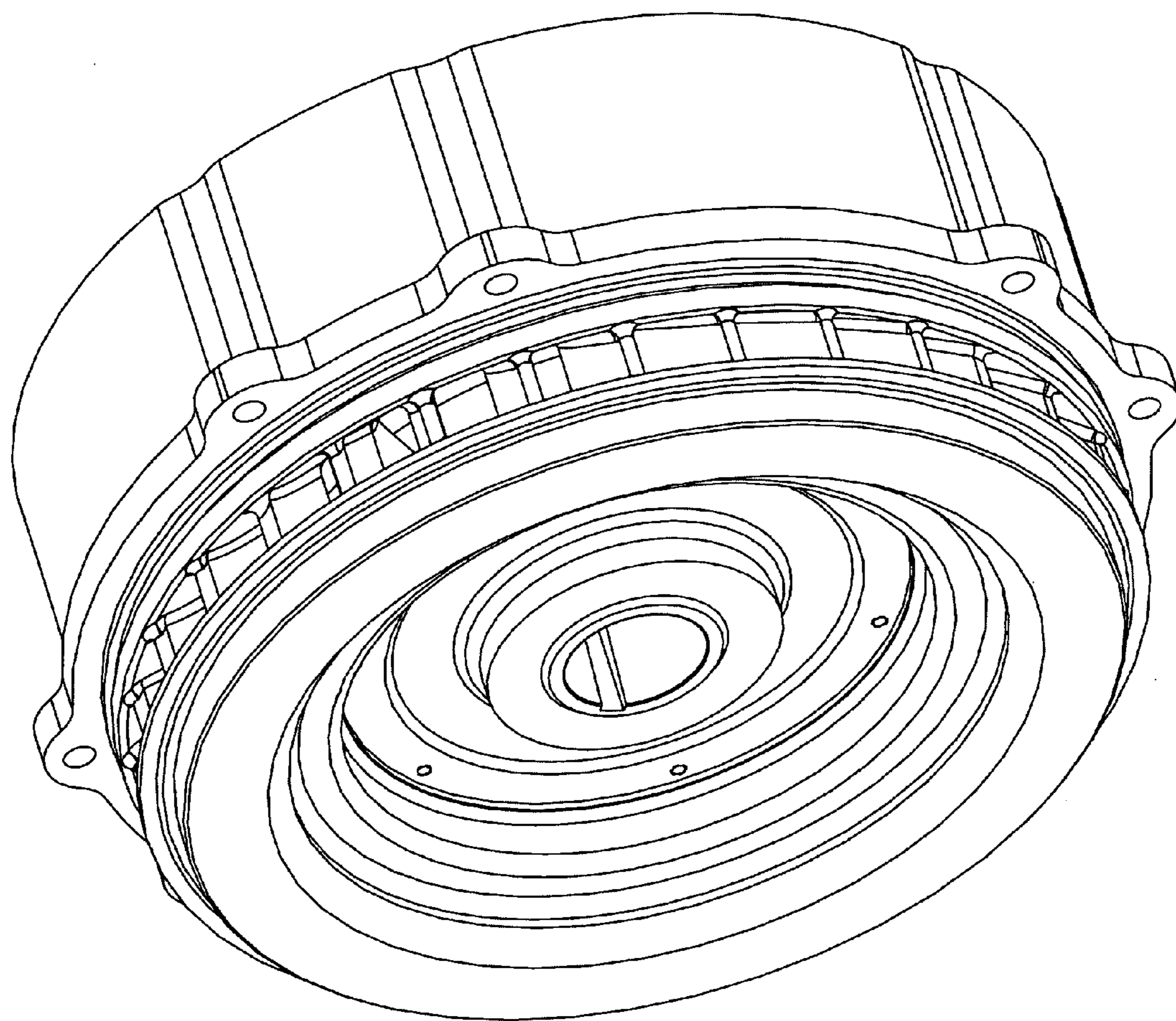


FIG. 16