



US00D610087S

(12) **United States Design Patent**  
**Johnson**

(10) **Patent No.:** **US D610,087 S**

(45) **Date of Patent:** **\*\* Feb. 16, 2010**

(54) **DRY-TYPE POWER DISTRIBUTION TRANSFORMER**

(75) Inventor: **Charles W. Johnson**, Wytheville, VA (US)

(73) Assignee: **ABB Technology AG**, Zurich (CH)

(\*\*) Term: **14 Years**

(21) Appl. No.: **29/341,170**

(22) Filed: **Jul. 31, 2009**

(51) **LOC (9) Cl.** ..... **13-02**

(52) **U.S. Cl.** ..... **D13/110**

(58) **Field of Classification Search** ..... D13/110,  
D13/101, 117, 120, 123, 184, 199; 174/DIG. 9,  
174/DIG. 25; 242/434, 434.7; 336/60, 83,  
336/90, 107, 173-175, 198, 207, 208, 210;  
361/836

See application file for complete search history.

(56) **References Cited**

**U.S. PATENT DOCUMENTS**

- 2,947,957 A \* 8/1960 Spindler ..... 336/61
- 3,264,591 A \* 8/1966 D Entremont ..... 336/174
- 3,792,399 A \* 2/1974 McLyman ..... 336/210
- D260,877 S \* 9/1981 Scott et al. .... D13/110
- 4,368,418 A \* 1/1983 DeMello et al. .... 323/201
- D288,314 S \* 2/1987 Makinson et al. .... D13/110

- D293,431 S \* 12/1987 Makinson et al. .... D13/110
- D294,565 S \* 3/1988 Makinson et al. .... D13/110
- 4,779,812 A \* 10/1988 Fisher et al. .... 242/434.7
- D392,940 S \* 3/1998 Shen ..... D13/110
- 6,081,180 A \* 6/2000 Fernandez et al. .... 336/90
- D433,993 S \* 11/2000 Tang ..... D13/110
- 6,185,811 B1 \* 2/2001 Perry ..... 29/606
- 6,753,749 B1 \* 6/2004 Chin ..... 336/90

\* cited by examiner

*Primary Examiner*—Prabhakar Deshmukh

*Assistant Examiner*—Derrick Holland

(74) *Attorney, Agent, or Firm*—Paul R. Katterle

(57) **CLAIM**

The ornamental design for a dry-type power distribution transformer, as shown and described.

**DESCRIPTION**

FIG. 1 is a front and right side perspective view of a dry-type power distribution transformer showing our new design;

FIG. 2 is a front elevation view thereof;

FIG. 3 is a right side elevation view thereof;

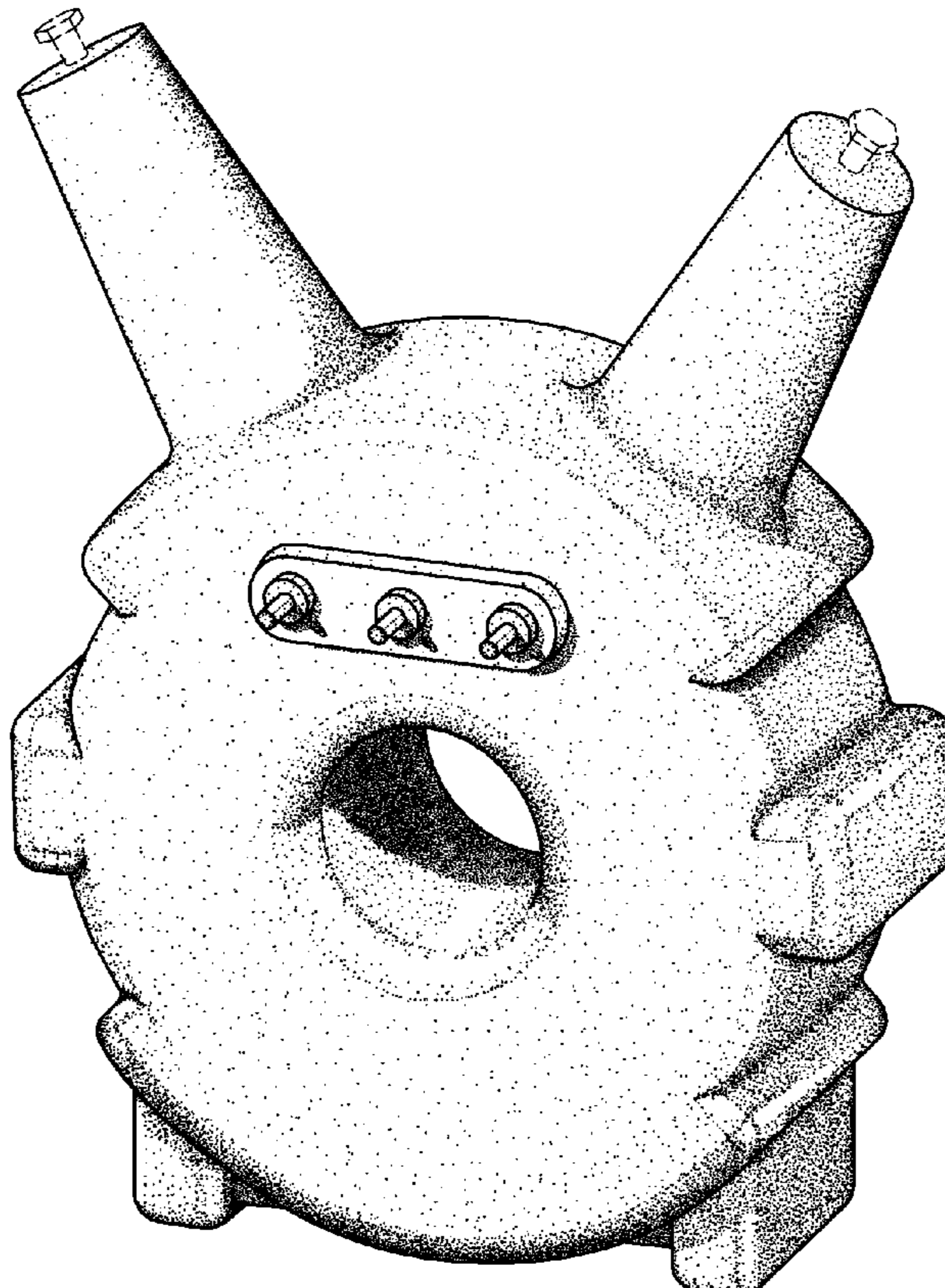
FIG. 4 is a left side elevation view thereof;

FIG. 5 is a rear elevation view thereof;

FIG. 6 is a top plan view thereof; and,

FIG. 7 is a bottom plan view thereof.

**1 Claim, 6 Drawing Sheets**



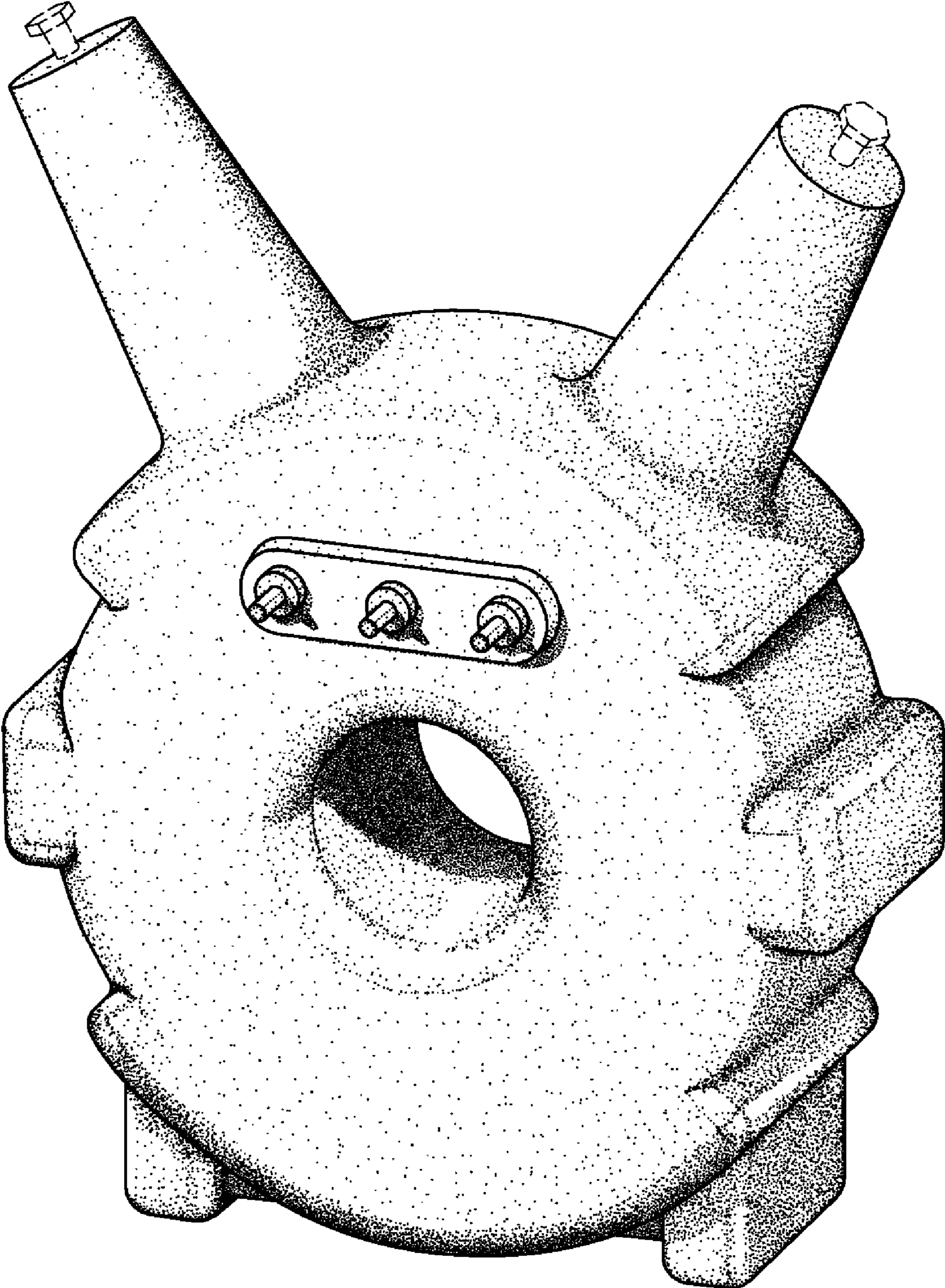


FIG.-1



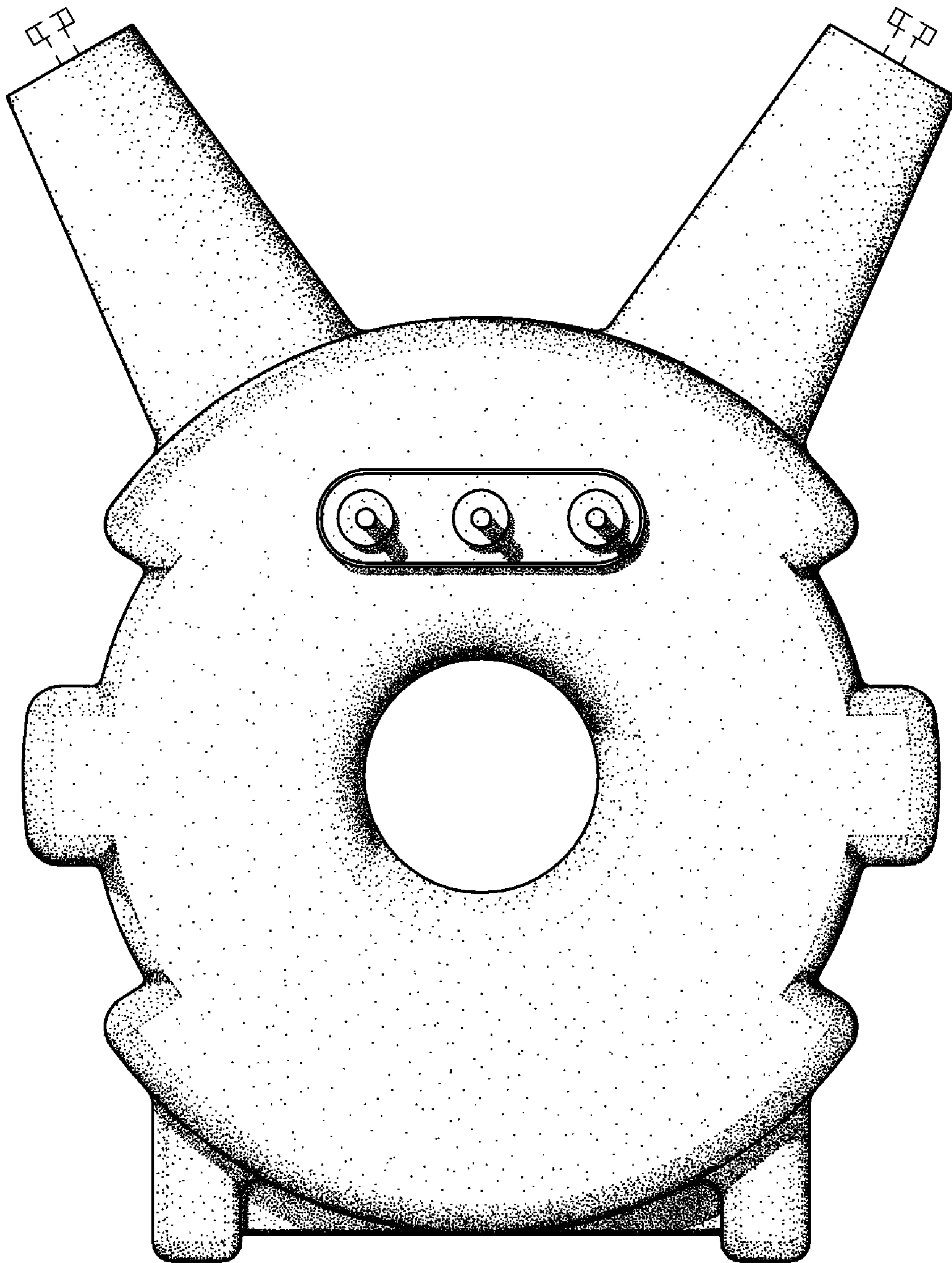


FIG.-2

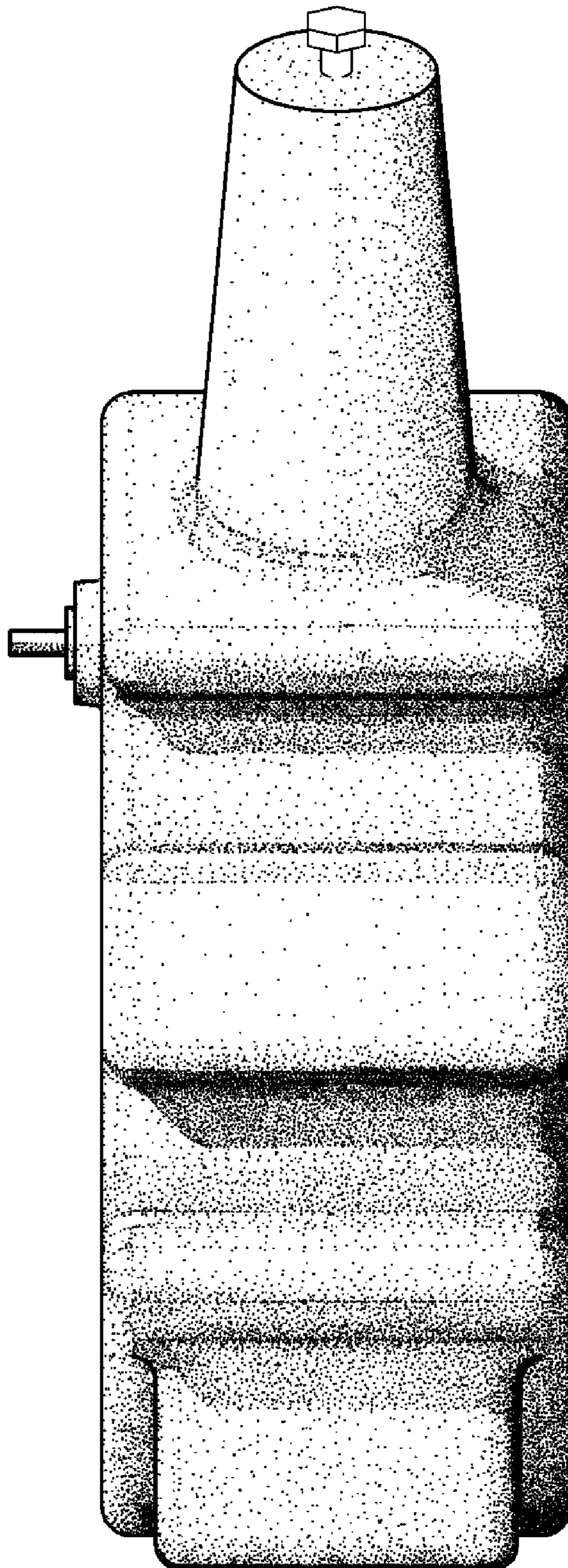


FIG.-3

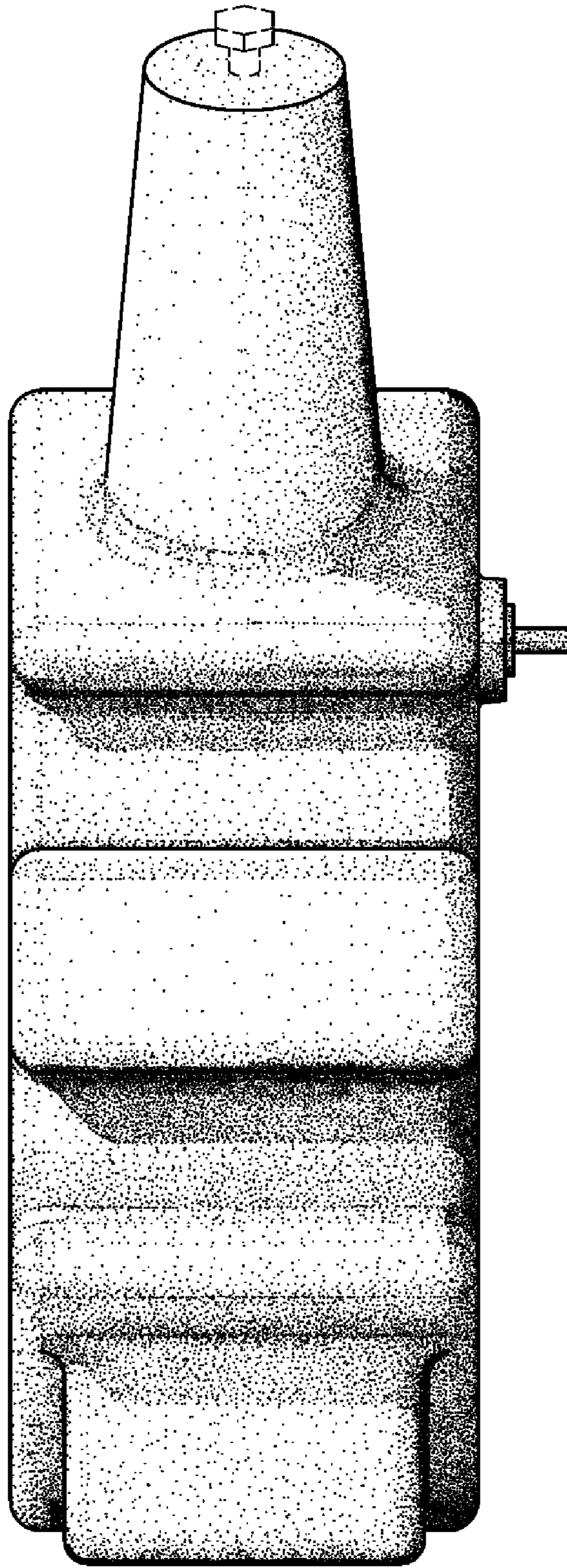


FIG.-4



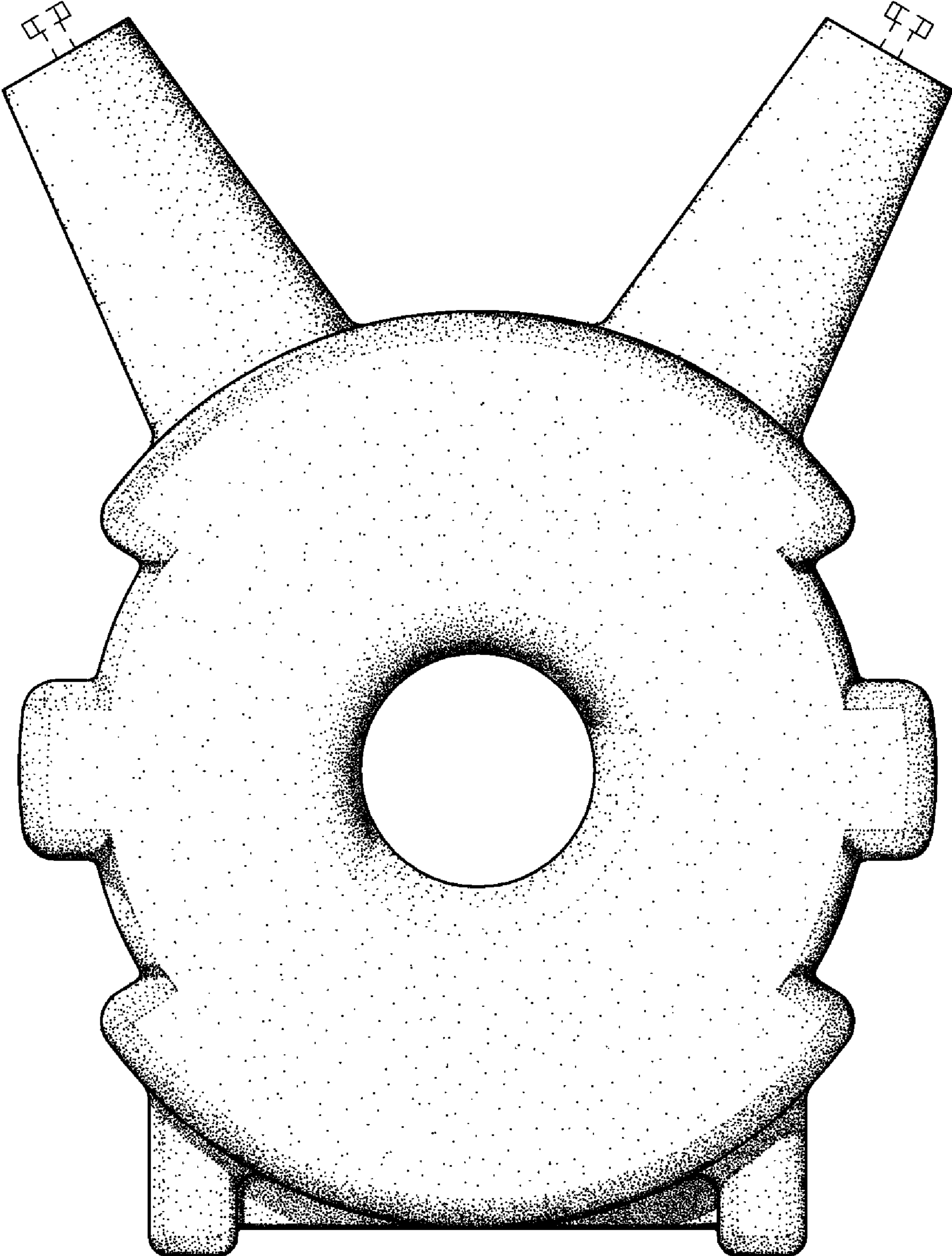


FIG.-5

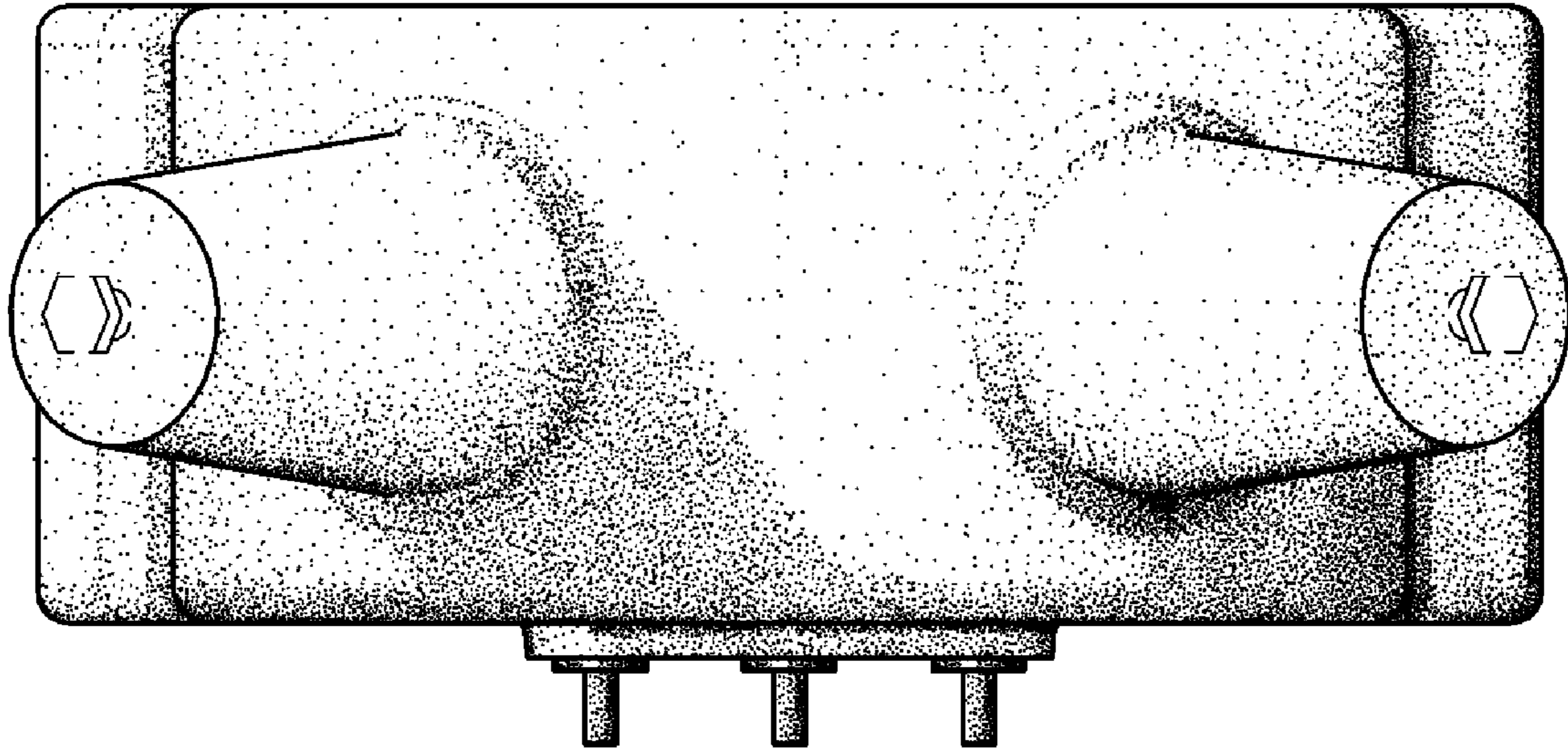


FIG.-6

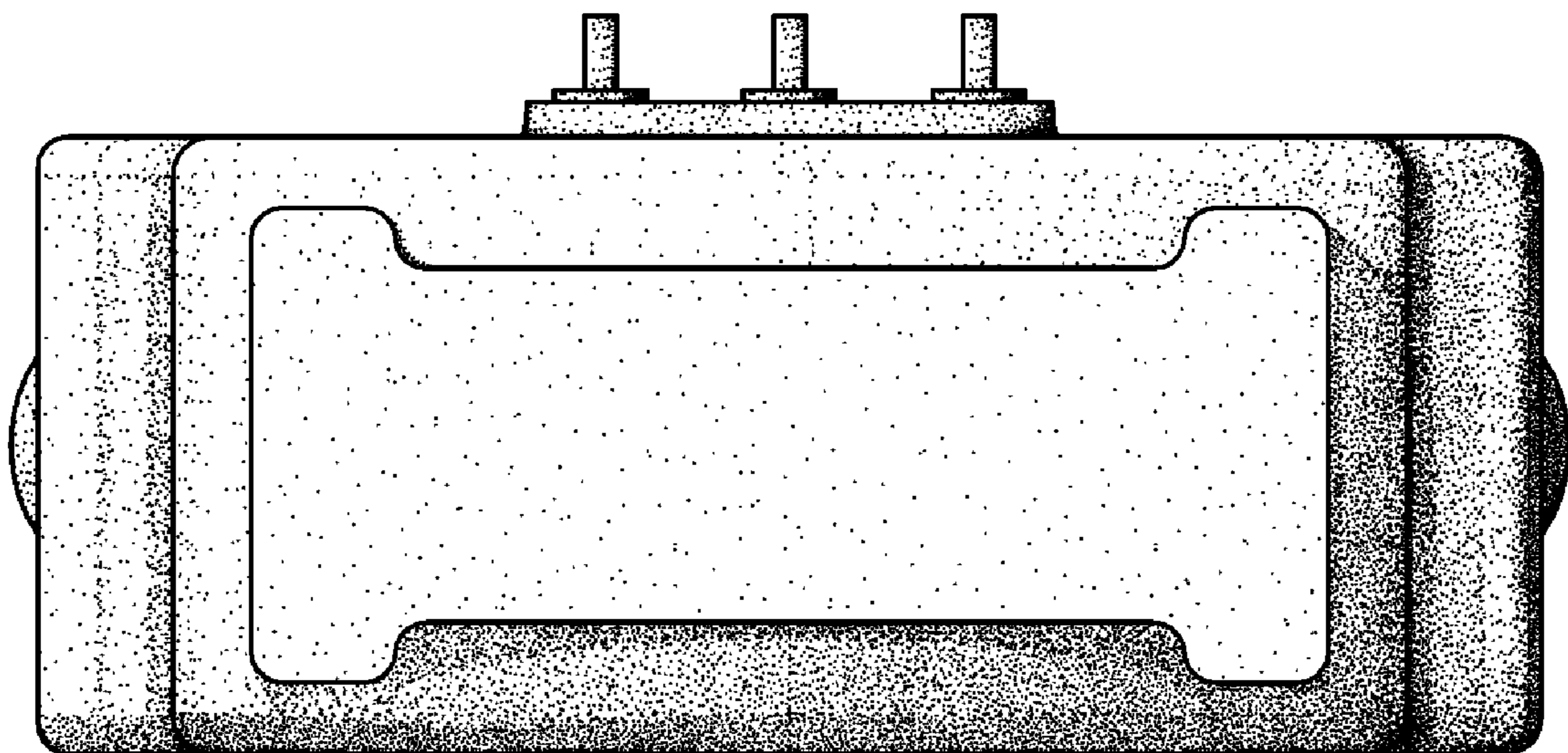


FIG.-7

UNITED STATES PATENT AND TRADEMARK OFFICE  
**CERTIFICATE OF CORRECTION**

PATENT NO. : D610,087 S  
APPLICATION NO. : 29/341170  
DATED : February 16, 2010  
INVENTOR(S) : Charles W. Johnson and Joel A. Kern

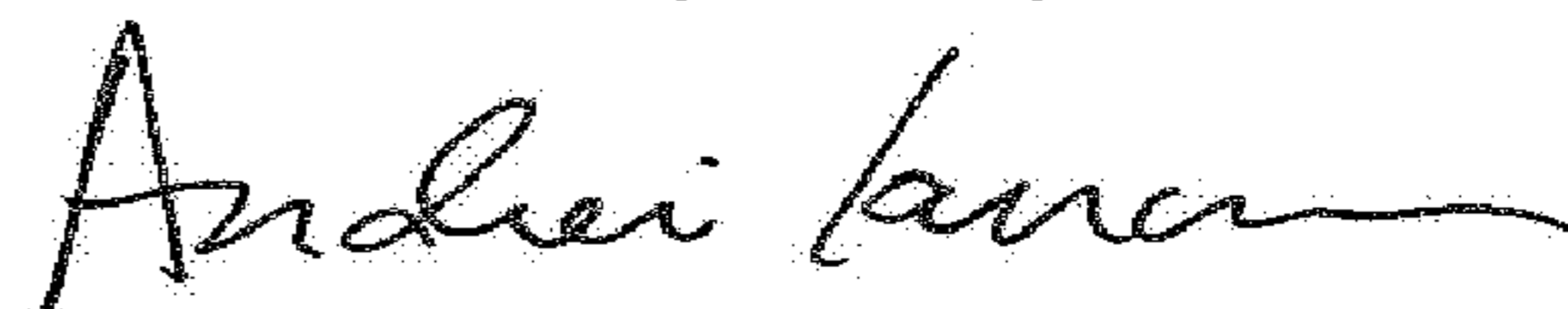
Page 1 of 1

It is certified that error appears in the above-identified patent and that said Letters Patent is hereby corrected as shown below:

On the Title Page

The inventor is listed as Charles W. Johnson. The patent should include inventor Joel A. Kern.

Signed and Sealed this  
Tenth Day of July, 2018



Andrei Iancu  
*Director of the United States Patent and Trademark Office*